

SEAL SPECIFICATION GUIDE

seal
specification:
001011011101100110101
001011011101100110101
001011011101100110101
001011011101100110101
001011011101100110101
001011011101100110101
001011011101100110101
001011011101100110101
001011011101100110101
001011011101100110101
001011011101100110101

SEAL SPECIFICATION GUIDE

INTRODUCTION

The Timken Company, known for its top-quality line of bearings, has extended its product line to include seals. Timken, with 77 seal patents, already had the product knowledge for seal design. In fact, it was only natural for Timken to extend this experience into a complete line of seals for the automotive aftermarket. Each and every seal sold by Timken is manufactured with the same quality that goes into every Timken bearing. To help our customers in seal selection, we have developed this Seal Specification Guide. If you have comments or suggestions on the Seal Specification Guide, please complete the postage paid card found in the back of this publication or send an e-mail to auto-am@timken.com.

HOW TO USE THIS CATALOG

The seals listed in this catalog are arranged by shaft size and part number. Determine the method you will use for your search, then turn to the corresponding section found in the table of contents. Each seal will have the dimensions, along with the seal type and material. If a specific seal is not found, contact your Timken sales representative to check the availability of that particular seal.

The data presented here is to provide a guideline or reference for general information only, it is not intended to be used for engineering purposes. Therefore, when installing any parts referenced in this catalog always follow the original equipment manufacturer's instruction manual, specifications and guidelines. The information referenced is deemed reliable but not guaranteed. The Timken Corporation reserves the right to make changes to, and amendments of, any information displayed. The Timken Corporation also reserves the right to make any functional substitutions in type, style or design where deemed appropriate.

GENERAL GUIDELINES

The data provided here is a guideline for the selection of a seal for a general or specific application. The user needs to be aware that many seal design configurations exist to meet specific requirements. Therefore, first look-up the correct seal in the Bearing and Seal Application Catalog for Automotive and Light Truck, published by The Timken Corporation. If you do not find the information regarding the seal required:

1. Determine the general category the seal application falls within.
2. Determine if operating conditions exceed the design limits.
 - a. Shaft Speed
 - b. Pressure
 - c. Eccentricity
3. Select appropriate lip, case and material. Selection is based on temperature of application, fluid and environment to be sealed or excluded.
4. Review bore and shaft configurations to ensure compatibility with seal.
5. If any questions or concerns remain, contact your Timken sales representative for more information or assistance.

WARNING

Proper maintenance and handling practices are critical. Follow the equipment manufacturer's installation instructions. Failure to follow installation instructions and to maintain proper lubrication can result in equipment failure and could lead to a risk of serious bodily harm.

© 2001 The Timken Corporation

Portions of this book are

© 2000 Freudenberg-NOK

©  incorporated.

and reprinted with permission

seal
specification:
001011011101100110101
001011011101100110101

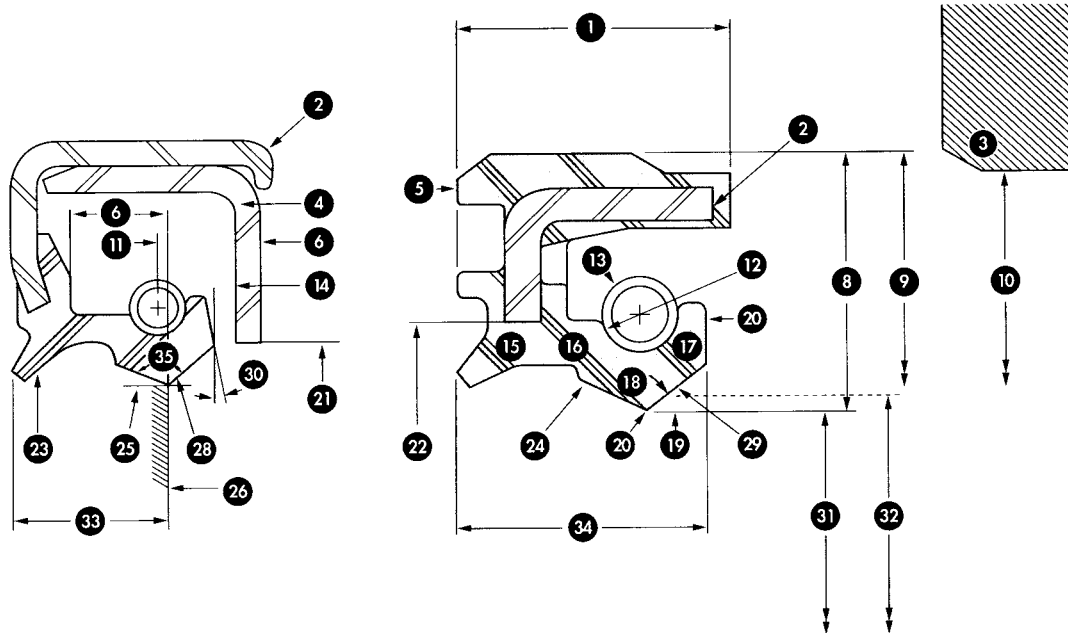
x 46 -DACK3
x 47 DREQ3
x 48 -DACK1
x 49 DREQ1



TABLE OF CONTENTS

| SECTION | PAGE |
|---|------------------------|
| Introduction..... | Inside Front Cover |
| How to Use This Catalog..... | Inside Front Cover |
| General Guidelines..... | Inside Front Cover |
| Warning | Inside Front Cover |
| Seal Nomenclature | 2 |
| Seal Design Types..... | 3-4, Inside Back Cover |
| Shaft Recommendations..... | 5 |
| Housing Recommendations..... | 6 |
| Bore Recommendations | 7 |
| Operating Conditions | 8-9 |
| Seal Tolerances..... | 10 |
| Material Selection | 11 |
| Seal Installation | 12-13 |
| V-Seals..... | 14 |
| KWIK-Sleeve™ - Component | 15 |
| Conversion Chart..... | 16 |
| Size Section – Seals – Inch/Metric..... | 17-76 |
| Size Section – V-Seals | 77-84 |
| Size Section – Oil Bath Seals..... | 85-87 |
| Size Section – KWIK-Sleeves..... | 88-93 |
| Size Section – Seal Kits | 94-97 |
| Numeric Section – Seals-Inch | 98-144 |
| Numeric Section – Seals-Metric | 145-150 |
| Numeric Section – V-Seals | 151-158 |
| Numeric Section – Oil Bath Seals | 159-161 |
| Numeric Section – KWIK-Sleeves | 162-167 |
| Numeric Section – Seal Kits..... | 168-171 |
| Metric – Size..... | 172-183 |
| Metric – Part | 184-195 |
| O-Rings..... | 196-198 |

SEAL NOMENCLATURE



- | | |
|-------------------------------|----------------------------------|
| 1. Seal Width | 19. Inside Lip Angle |
| 2. Metal Case (Outer) | 20. Toe Face |
| 3. Housing | 21. Inside Case Inner Diameter |
| 4. Inner Case | 22. Outer Case Inner Diameter |
| 5. Outside Face | 23. Auxiliary (Dust) Lip |
| 6. Lip Length | 24. Outside Lip Surface |
| 7. Inside Face | 25. Outside Lip Angle |
| 8. Radial Wall Dimension | 26. Rib (Helix) |
| 9. Seal Outer Diameter | 27. Contact Point |
| 10. Housing Bore Diameter | 28. Static Lip |
| 11. Spring Position (R-Value) | 29. Inside Lip Surface |
| 12. Spring Groove | 30. Molded Toe Angle |
| 13. Garter Spring | 31. Spring Set Lip Diameter |
| 14. Axial Clearance | 32. Free Lip (Unsprung) Diameter |
| 15. Heel Section | 33. Contact Line Height |
| 16. Flex Section | 34. Lip Height |
| 17. Spring Retainer Lip | 35. Lip Angle |
| 18. Head Section | |

seal
specification:
001011011101100110101
001011011101100110101

x 46 -DACK3
x 47 DREQ3
x 48 -DACK1
x 49 DREQ1

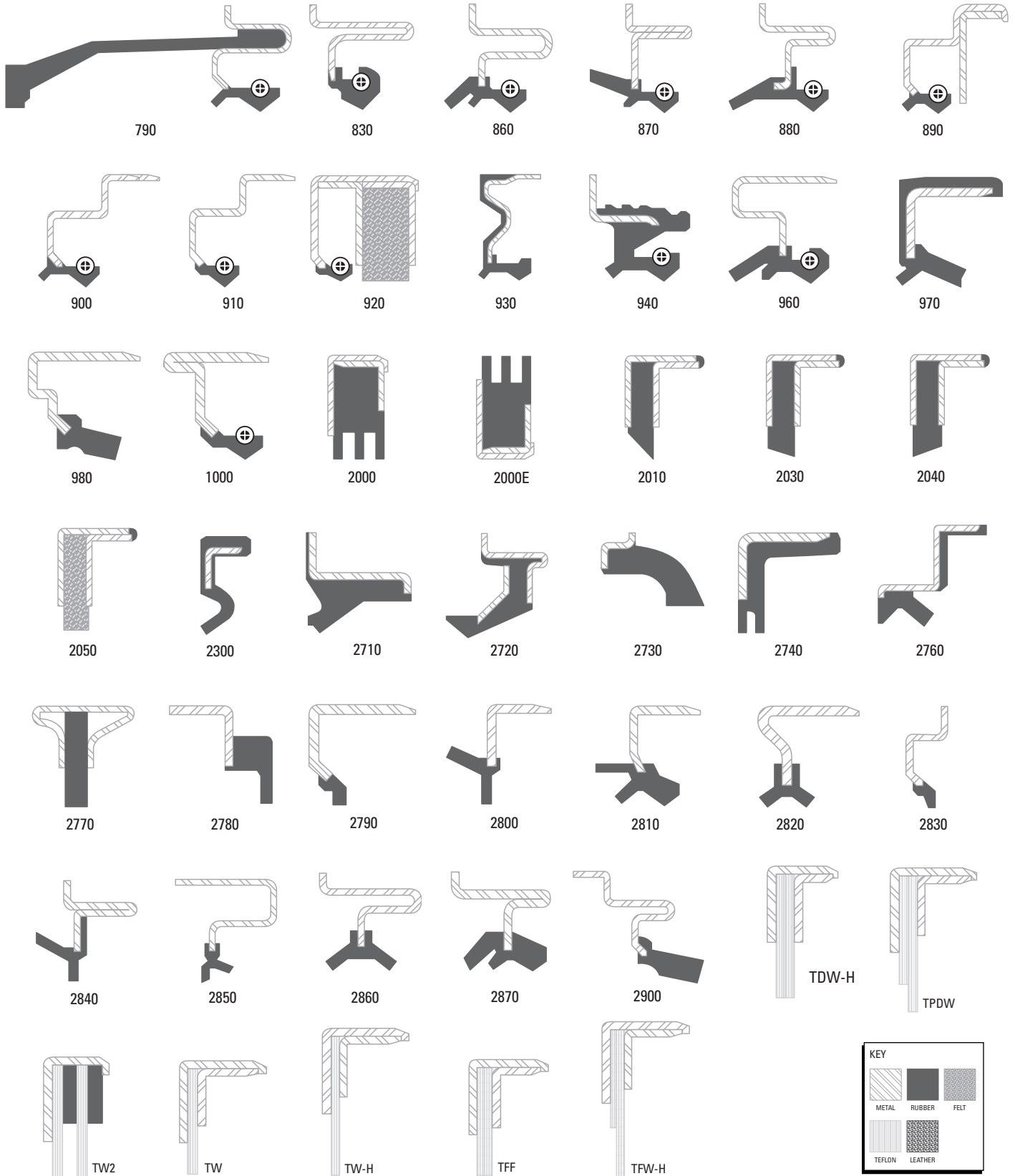


SEAL DESIGN/TYPES



| KEY | | |
|--------|---------|------|
| | | |
| METAL | RUBBER | FELT |
| | | |
| TEFLON | LEATHER | |

SEAL DESIGN TYPES (continued)



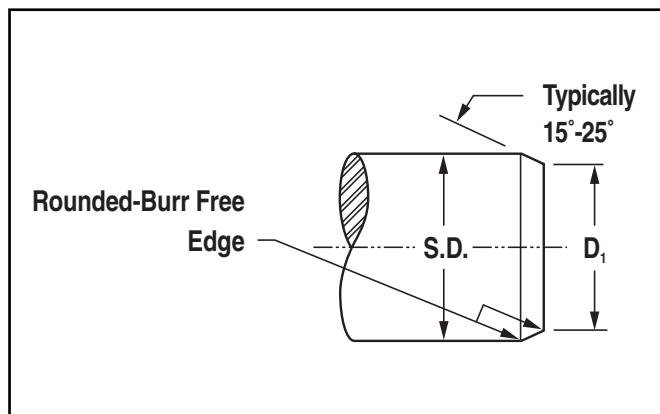
SHAFT RECOMMENDATIONS

Shafts

Seal and shaft compatibility is dependent on four conditions: shaft tolerance, lead-in chamfer, finish and hardness. Proper consideration of these conditions will assist in providing optimal seal performance.

- **SHAFT HARDNESS** is an important factor to prevent excessive wear, deformation, scratches or nicks, and to allow for easy machining for proper roughness. Under normal conditions, the seal contact area of the shaft should be Rockwell C45 minimum.
- **SHAFT SURFACE ROUGHNESS** is very important as this greatly influences the amount of lip wear. The recommended roughness is as follows:
 - Rotating 10 to 20 μ inch Ra (.25 μ M to .50 μ M Ra):
RMAX=31-126 μ inch (0.8-3.2 μ M)
 - Reciprocating 5 to 10 μ inch Ra (.13 μ M to .25 μ M Ra) The method of achieving this finish should not be overlooked.
- **PLUNGE GRINDING** is recommended for rotating shaft applications. For reciprocating applications, centerless grinding is acceptable. Rotating shaft applications require a surface with no machine lead, as machine lead may actually pump fluid from under the seal lip. Also, hard chrome plating is suggested for any cast iron or stainless steel shafts for rotating applications and for steel shafts with reciprocating applications.
- **A SHAFT CHAMFER** is suggested to assist in the installation process. Without a proper chamfer, the seal lip may be damaged or distorted resulting in a dislodged garter spring.
- **SHAFT TOLERANCE** recommendations for general applications are listed below. The tolerance range should be decreased for high speed or pressure applications.

Recommended Shaft Chamfer



| INCHES | | | |
|----------------|----------------|----------------|----------------|
| S.D. | D ₁ | S.D. | D ₁ |
| Up to 1.000 | S.D. – .094 | 4.001 to 5.000 | S.D. – .220 |
| 1.001 to 2.000 | S.D. – .140 | 5.001 to 5.000 | S.D. – .260 |
| 2.001 to 3.000 | S.D. – .166 | 6.001 to 5.000 | S.D. – .276 |
| 3.001 to 4.000 | S.D. – .196 | – | – |

| MILLIMETERS | | | |
|-----------------|----------------|------------------|----------------|
| S.D. | D ₁ | S.D. | D ₁ |
| Up to 25.00 | S.D. – 2.4 | 100.01 to 125.00 | S.D. – 5.6 |
| 25.01 to 50.00 | S.D. – 3.6 | 125.01 to 150.00 | S.D. – 6.6 |
| 50.01 to 75.00 | S.D. – 4.2 | 150.01 to 250.00 | S.D. – 7.0 |
| 75.01 to 100.00 | S.D. – 5.0 | – | – |

Recommended Shaft Tolerance

| SHAFT DIAMETER (INCH) | TOLERANCE | SHAFT DIAMETER (DIN/METRIC) | TOLERANCE |
|-----------------------|-----------|-----------------------------|-----------|
| Up to 4.000 | ±.003 | Up to 100 mm | ±0.08 |
| 4.001 to 6.000 | ±.004 | 100.10 to 150.00 | ±0.10 |
| 6.001 to 10.000 | ±.005 | 150.10 to 250.00 | ±0.13 |

HOUSING RECOMMENDATIONS

Housing

Steel and cast iron provide good surfaces for both rubber covered and metal O.D. seals. For soft alloy (aluminum) bores, rubber covered O.D. seals provide better sealing capability. In aluminum or other soft alloy bores, metal O.D. seals occasionally back out of the bore due to thermal expansion of the soft alloy. Rubber, having a higher coefficient of thermal expansion than carbon steel, will tighten in the bores as temperature rises.

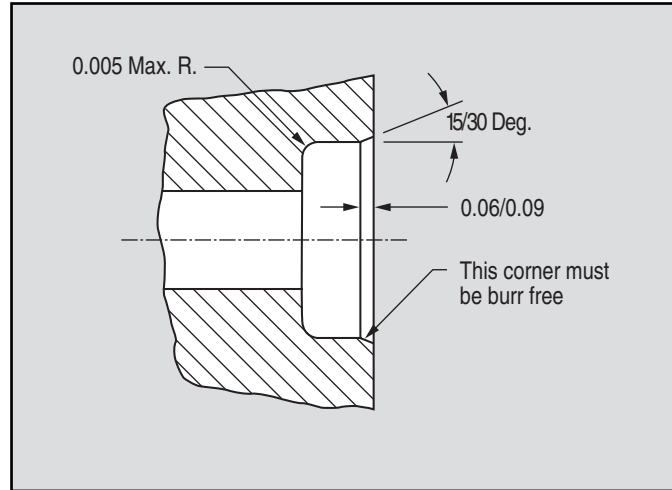
Plastic or nylon are not recommended because they typically expand at a high rate causing a major problem for metal O.D. seals. If plastic is to be used, rubber O.D. seals are recommended.

Bore Chamfer

A bore chamfer is necessary to assist in installation of the seal. To the right is the recommended configuration for the chamfer.

Proper chamfer angle and depth minimizes cocking or lack of squareness of the seal to the shaft, distortion of the seal cases, and reduces assembly force.

Recommended Bore Chamfer



Surface Roughness

Excessively rough bore finishes may allow paths for fluid to leak between seal O.D. and bore. Below shows the recommended maximum roughness.

| | METAL O.D. | RUBBER O.D. |
|--------------------------|----------------------------|--------------|
| MAXIMUM ROUGHNESS | 100 μinch Ra | 150 μinch Ra |
| | 2.50 μM Ra | 3.75 μM Ra |
| | 492 μinch R _{MAX} | |
| | 12.5 μM R _{MAX} | |

The rubber O.D. seal is capable of functioning with a rougher finish.

| | METAL O.D. | RUBBER O.D. |
|--------------------------|------------|-------------|
| MINIMUM ROUGHNESS | None | 60 μinch Ra |
| | None | 1.5 μM Ra |

A minimum bore roughness is recommended for rubber O.D. seals. This improves retention.

BORE RECOMMENDATIONS

Bore Diameter Tolerance

The recommended housing bore diameter, bore tolerance and nominal pressfit.

INCH SIZES

| BORE DIAMETER | BORE TOLERANCE | NORMAL PRESS FIT | | O.D. TOLERANCE (1) | | OUT OF ROUND (2) | |
|----------------|----------------|-----------------------|------------------------|-----------------------|------------------------|-----------------------|------------------------|
| | | SEALS WITH METAL O.D. | SEALS WITH RUBBER O.D. | SEALS WITH METAL O.D. | SEALS WITH RUBBER O.D. | SEALS WITH METAL O.D. | SEALS WITH RUBBER O.D. |
| Up to 1.000 | ±.001 | .004 | .006 | ±.002 | ±.003 | .005 | .010 |
| 1.001 - 2.000 | ±.001 | .004 | .006 | ±.002 | ±.003 | .006 | .012 |
| 2.001 - 3.000 | ±.001 | .004 | .006 | ±.002 | ±.003 | .006 | .014 |
| 3.001 - 4.000 | ±.0015 | .005 | .008 | ±.002 | ±.004 | .007 | .018 |
| 4.001 - 6.000 | ±.0015 | .005 | .010 | +0.003 -0.002 | ±.004 | .009 | .023 |
| 6.001 - 8.000 | ±.002 | .006 | | +0.003 -0.002 | | .012 | |
| 8.001 - 9.000 | ±.002 | .007 | | +0.004 -0.002 | | .015 | |
| 9.001 - 10.000 | ±.002 | .008 | | +0.004 -0.002 | | .015 | |

EQUIVALENT METRIC SIZES

| BORE DIAMETER | BORE TOLERANCE | NORMAL PRESS FIT | | O.D. TOLERANCE (1) | | OUT OF ROUND (2) | |
|-----------------|----------------|-----------------------|------------------------|-----------------------|------------------------|-----------------------|------------------------|
| | | SEALS WITH METAL O.D. | SEALS WITH RUBBER O.D. | SEALS WITH METAL O.D. | SEALS WITH RUBBER O.D. | SEALS WITH METAL O.D. | SEALS WITH RUBBER O.D. |
| Up to 25.00 | ±0.025 | 0.10 | 0.15 | ±0.05 | ±0.08 | 0.13 | 0.25 |
| 25.01 - 50.00 | ±0.025 | 0.10 | 0.15 | ±0.05 | ±0.08 | 0.15 | 0.30 |
| 50.01 - 75.00 | ±0.025 | 0.10 | 0.15 | ±0.05 | ±0.08 | 0.15 | 0.36 |
| 75.01 - 100.00 | ±0.038 | 0.13 | 0.20 | ±0.05 | ±0.10 | 0.18 | 0.46 |
| 100.01 - 150.00 | ±0.038 | 0.13 | 0.25 | +0.08 -0.05 | ±0.10 | 0.23 | 0.58 |
| 150.01 - 200.00 | ±0.051 | 0.15 | | +0.08 -0.05 | | 0.30 | |
| 200.01 - 225.00 | ±0.051 | 0.18 | | +0.10 -0.05 | | 0.38 | |
| 225.01 - 250.00 | ±0.051 | 0.20 | | +0.10 -0.05 | | 0.38 | |

- (1) Seal O.D. - The average of a minimum three measurements to be taken at equally spaced positions.
- (2) Out of Round (OOR) - The maximum variance between any of the readings used in determining seal O.D.

OPERATING CONDITIONS

Seal with Spring

DESIGN LIMITATIONS

| SHAFT DIAMETER | NITRILE LIP MAXIMUM CONTINUOUS SHAFT SPEED | MAXIMUM CONTINUOUS PRESSURE | MAXIMUM TOTAL ECCENTRICITY |
|----------------|--|-----------------------------|----------------------------|
| General | 3,500 rpm | 5 psi | .020" |
| .500 | 7,000 rpm | 5 psi | .004" |
| 1.500 | 6,000 rpm | 5 psi | .006" |
| 2.500 | 4,000 rpm | 5 psi | .010" |
| 3.500 | 3,500 rpm | 5 psi | .013" |
| 4.500 | 2,600 rpm | 5 psi | .017" |

NOTE: Higher shaft speed is possible using higher temperature materials such as polyacrylate, fluoroelastomer or silicone. Slightly higher continuous pressure is possible for shaft speeds below 200 fpm. Higher eccentricity is allowable if shaft speed is reduced.

Seal without Spring

DESIGN LIMITATIONS

| SHAFT DIAMETER | MAXIMUM SHAFT SPEED | MAXIMUM CONTINUOUS PRESSURE | MAXIMUM TOTAL ECCENTRICITY |
|----------------|---------------------|-----------------------------|----------------------------|
| General | 2,000 rpm | 4 psi | .005" |
| .500 | 3,500 rpm | 4 psi | .003" |
| 1.500 | 2,500 rpm | 4 psi | .005" |
| 2.500 | 2,100 rpm | 4 psi | .006" |
| 3.500 | 1,500 rpm | 4 psi | .008" |
| 4.500 | 1,200 rpm | 4 psi | .010" |

NOTE: Higher eccentricity is allowable if maximum shaft speed is reduced.

A nonsprung seal design offers a cost effective way to seal high viscosity grease applications. Because the design does not benefit from the constant load of a garter spring, the allowable eccentricity is decreased and the fluids to be sealed are limited.

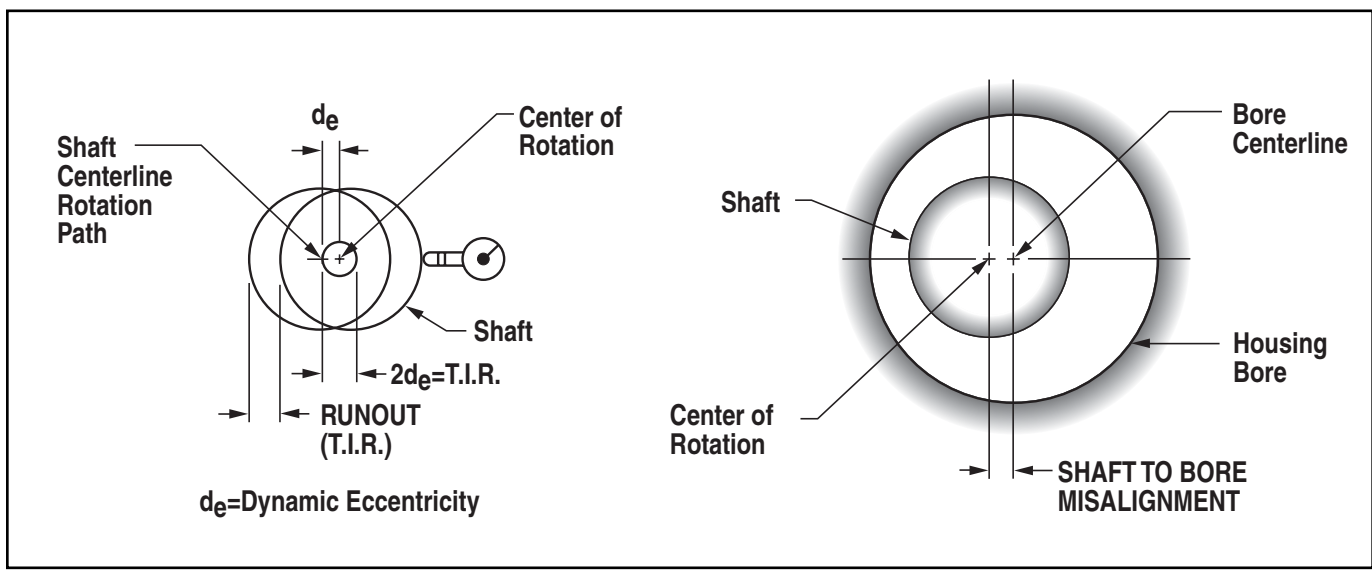
seal
specification:
001011011101100110101
001011011101100110101

x 46 -DACK3
x 47 DREQ3
x 48 -DACK1
x 49 DREQ1



OPERATING CONDITIONS

Eccentricity



Eccentricity is determined by measuring the shaft runout, TIR and the shaft-to-bore misalignment. Combine the two results for the total eccentricity the seal lip must follow to function effectively. As eccentricity increases, and/or shaft speed increases, it becomes more difficult for the lip to follow the shaft.

SEAL TOLERANCES

To provide an interface between the seal outside surface and the housing bore surface, the recommended tolerances for the outside diameter of the seal are indicated below.

Seal width tolerance Values in millimeters

| SEAL WIDTH b | TOLERANCE |
|-----------------|-----------|
| b < 10 | ± 0.3 |
| b > 10 | ± 0.4 |

SEAL OUTSIDE DIAMETER TOLERANCES (VALUES IN MILLIMETERS)

| NOMINAL OUTSIDE DIAMETER D | DIAMETRAL TOLERANCE | | ROUNDNESS TOLERANCE ¹ | |
|----------------------------------|---------------------|----------------------------------|----------------------------------|-------------------|
| | METAL CASED | RUBBER COVERED ^{2,3} | METAL CASED | RUBBER COVERED |
| D < 50 | +0.20 +0.08 | +0.30 +0.15 | 0.18 | 0.25 |
| 50 < D _i < 80 | +0.23 +0.09 | +0.35 +0.20 | 0.25 | 0.35 |
| 80 < D _i < 120 | +0.25 +0.10 | +0.35 +0.20 | 0.30 | 0.50 |
| 120 < D _i < 180 | +0.28 +0.12 | +0.45 +0.25 | 0.40 | 0.65 |
| 180 < D _i < 300 | +0.35 +0.15 | +0.45 +0.25 | 0.25% of outside diameter | 0.80 |
| 300 < D _i < 400 | +0.45 +0.20 | +0.55 +0.30 | 0.25% of outside diameter | 1.00 |

- 1) The roundness tolerance is equal to the difference between the maximum diameter and the minimum diameter derived from three or more equally spaced measurements.
- 2) Rubber-covered seals having a wave profile outside surface are acceptable but will require different tolerances to be agreed upon between manufacturer and purchaser.
- 3) Rubber-covered seals employing certain materials other than nitrile may require different tolerances to be agreed upon between manufacturer and purchaser.

MATERIAL SELECTION

General Elastomer Information

| BASE POLYMER | NITRILE | POLYACRYLATE | SILICONE | FLUROELASTOMER |
|-----------------------|--------------------------------|--------------------------------|--------------------------------|--------------------------------|
| TEMPERATURE* RANGE | -50°F ~ 250°F -45°C ~ 125°C | -20°F ~ 300°F -30°C ~ 150°C | -80°F ~ 400°F -60°C ~ 200°C | -30°F ~ 400°F -35°C ~ 200°C |
| Oil Resistance | l | l | n | l |
| Acid Resistance | n | s | s | s |
| Alkali Resistance | n | v | v | s |
| Water Resistance | n | s | n | n |
| Heat Resistance | n | l | l | l |
| Cold Resistance | n | s | n | s |
| Wear Resistance | l | l | n | l |
| Ozone Resistance | n | l | l | l |

l Very good n Good for most applications s Fair, can be used if no other materials available but otherwise not recommended v Not recommended

| MATERIALS | ADVANTAGES | DISADVANTAGES |
|--|---|---|
| NITRILE S | <ul style="list-style-type: none"> Commonly referred to as Buna-N and a Copolymer of Butadiene and Acrylonitrile Low cost Good resistance to petroleum oils, water, silicone oils, greases, glycol base fluids Good abrasion resistance, cold flow, tear resistance | <ul style="list-style-type: none"> Poor resistance to ozone and weather aging |
| POLYACRYLATE N | <ul style="list-style-type: none"> Polymerised acrylic acid esters Good resistance to mineral oils, hypoid gear oils, E.P. additives, greases, aging and flex cracking Higher temperature limit than Nitrile | <ul style="list-style-type: none"> Fair cold temperature limit Lower mechanical strength Costs slightly higher than Nitrile Poor dry running ability, water resistant |
| SILICONE H | <ul style="list-style-type: none"> Broad temperature range Good ozone resistance Resistant to compression set | <ul style="list-style-type: none"> Low resistance to hydrocarbon fluids like gasoline or paraffin fluids or steam above 50 psi Cost is higher than Polyacrylate |
| FLUROELASTOMER V | <ul style="list-style-type: none"> Good temperature resistance Compatible with wide range of fluids Commonly chosen as high temperature replacement for Nitrile or Polyacrylate | <ul style="list-style-type: none"> Fair resistance to water, dry running Low temperature resistance is fair Cost is high |
| ETHYLENE ACRYLIC (Vamac®) E | <ul style="list-style-type: none"> Good resistance to lubricating oils, greases, transmission fluids, power steering fluids and diesel fuel Higher temperature limit than NBR High/Consistent vibration damping capability | <ul style="list-style-type: none"> Poor steam resistance Fair cold temperature limit Cost is higher than NBR |
| FKM & ACM BLEND X | <ul style="list-style-type: none"> Better fluids resistance than ACM Better high temperature performance than ACM | <ul style="list-style-type: none"> Cost is higher than ACM Properties tend to be closer to ACM than FKM |
| FKM & VMQ BLEND Y | <ul style="list-style-type: none"> Better low temperature properties than FKM Better oil resistance than VMQ | <ul style="list-style-type: none"> Cost is higher than VMQ Properties tend to be closer to VMQ than FKM |

Felt (F) - Adequate seal for heavier lubricants, commonly used as a wiper seal.

Urethane (U) - Good lubricant resistance, good ozone resistance, good abrasion resistance

Tetrafluoro-Ethylene Propylene (Aflas®) (A) - Compatible with range of hydraulic fluids, fair abrasion resistance

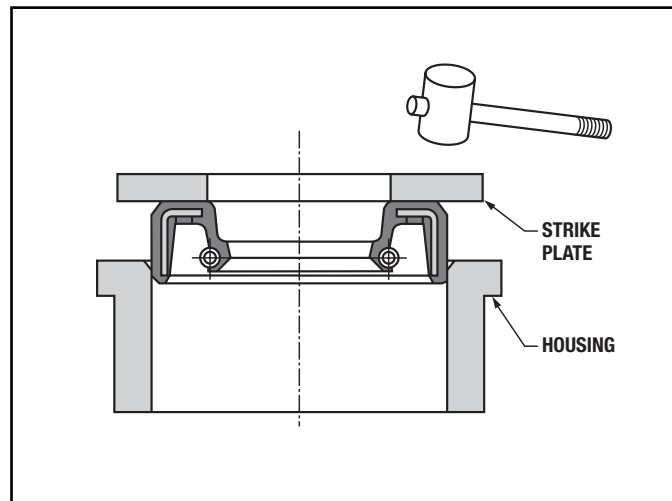
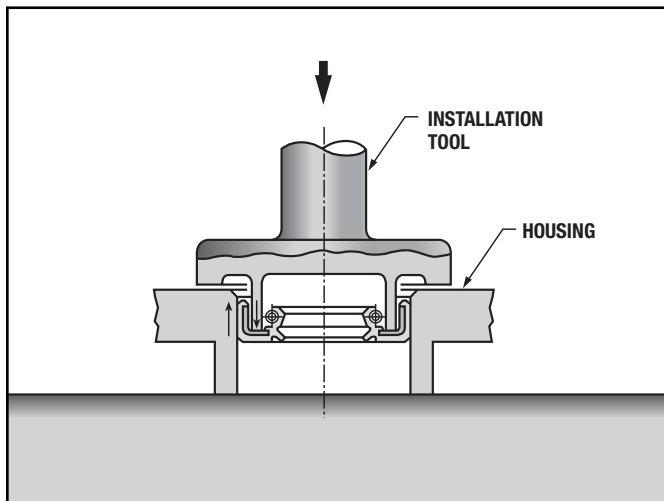
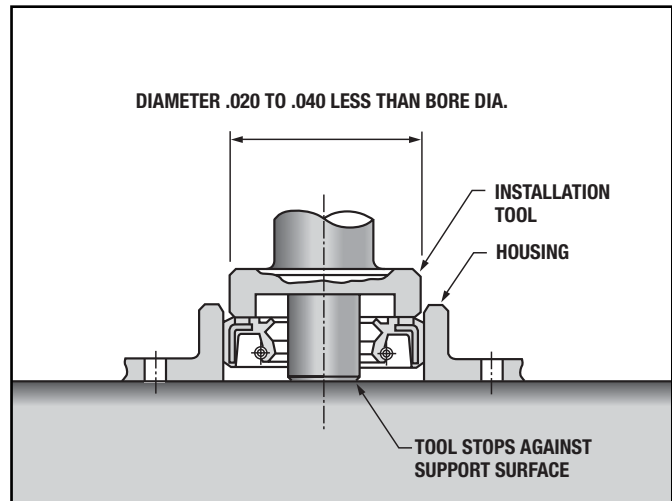
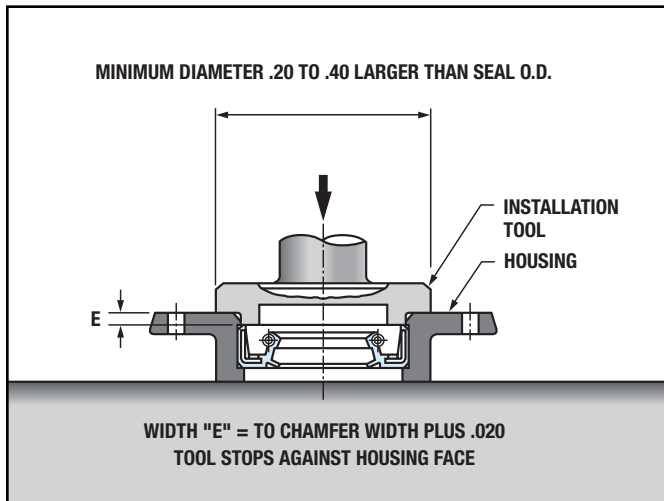
P.T.F.E. (Teflon®) (T) - Low friction properties, good heat and chemical resistance

SEAL INSTALLATION PROCEDURES

The subject of installation represents an area commonly overlooked when selecting an oil seal for an application. Studies have shown this area to be one of the major causes of premature seal failure. To assist the installation, the seal should be prelubricated with grease or oil to reduce sliding friction of contact surfaces. This will also help protect the seal lips during initial run-in. An installation tool should always be

used when installing an oil seal. The use of a tool improves ease of installation and reduces the possibility of seal cocking (non-perpendicular to shaft). A hydraulic or pneumatic press is advised to supply necessary force to install the seal. Following are examples of both recommended and improper installation methods.

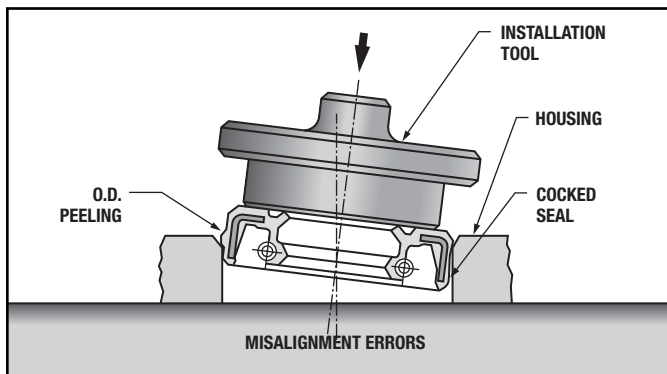
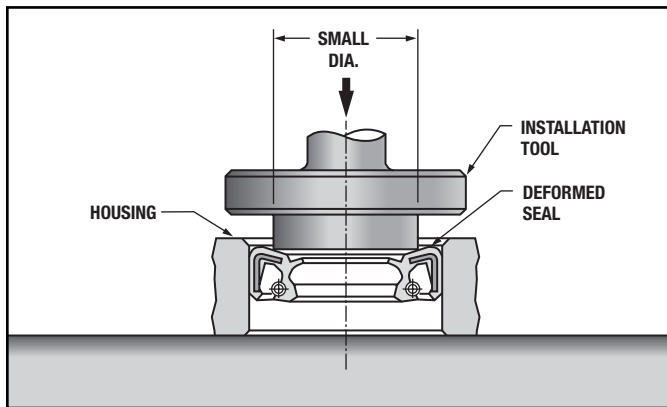
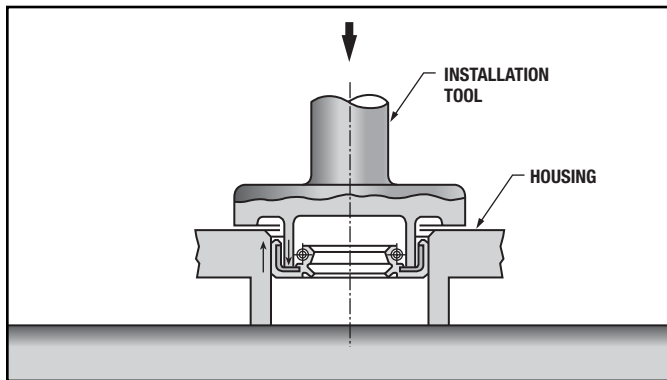
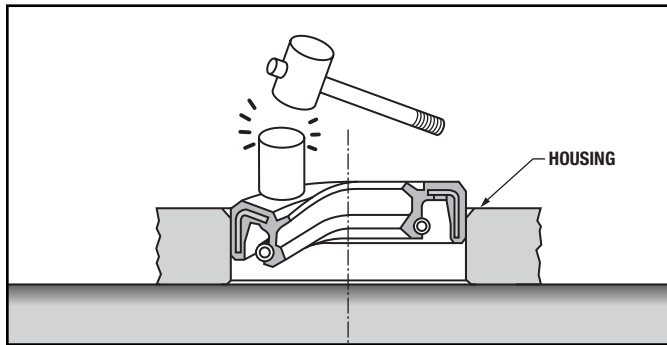
ACCEPTABLE METHOD OF SEAL INSTALLATION



In each preferred method, installation load is absorbed by either housing or bottom plate to prevent seal damage and to assist in locating the seal properly within the bore.



IMPROPER METHOD OF SEAL INSTALLATION

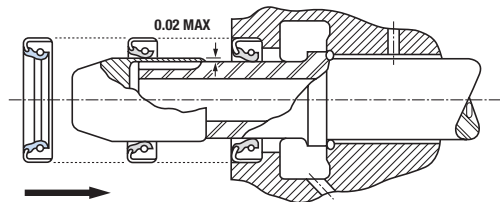


SHAFT INSTALLATION

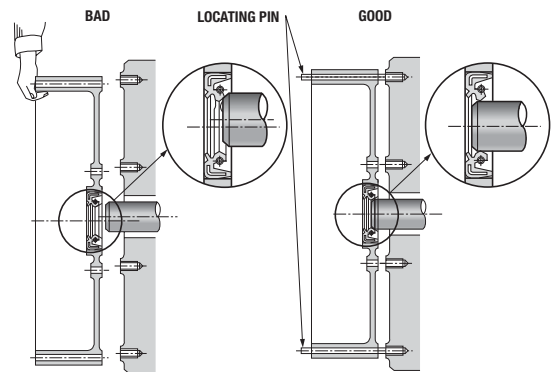
The advisable sequence of installation is to install the seal over the shaft and then into the housing bore. Care should be exercised not to damage or deform the seal lip. The proper chamfer angle will minimize this problem. When installing over a keyway or spine, a sleeve or bullet should be employed to protect the seal lip from cuts.

Where the shaft must be installed through the seal, centering guides for the shaft will prevent lip deformation and dislodging of the spring. When possible, the shaft should be rotated as it passes through the seal to reduce sliding friction.

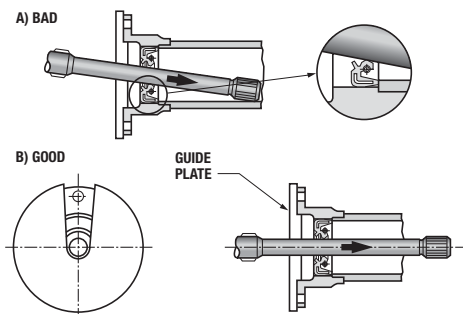
SEAL INSTALLATION OVER SHAFT SPLINES



HEAVY WEIGHT HOUSING



LONG SHAFT



V-SEALS

V-Seals can be used on an eccentric or slightly misaligned shaft. V-Seals are extremely easy to mount. Made entirely of rubber, the V-Seals are slipped over the shaft and mounted against the counterface. Desirable for retrofitting, V-Seals can be stretched over a flange during assembly.

V-Seals reduce inventory requirements. Because of its elasticity, the same size V-Seals can be fitted to a variety of different size shafts.

Interference pressure of the seal lip against the counterface is much lower with V-Seals than with a conical seal. Less pressure means less drag and lower torque requirements from your power source.

V-Seal is manufactured using a variety of compounds which include:

Nitrile

Temperature Range:
-40° - 225° F.

Viton (Flourelastomer) – For high temperature and/or aggressive mediums

Temperature Range:

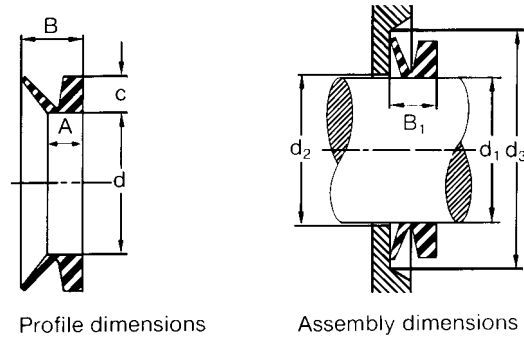
-30° - +325° F. (Dynamic Application)
-50° - +450° F. (Static Application)

V-Seals are also available in neoprene, silicon, polyacrylic and other elastomers, to meet a variety of application requirements.

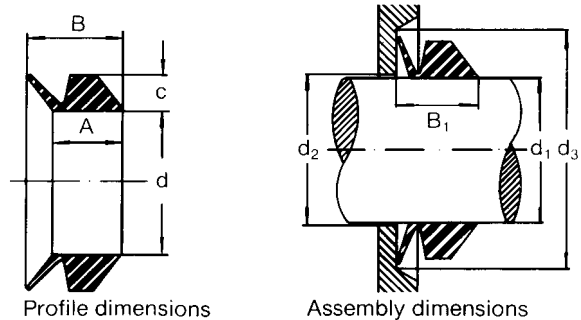
V-Seals, as opposed to conventional radial seals, afford less emphasis on design, machining and axial tolerances. V-Seals will not "groove" the shaft shaving maintenance and remanufacturing costs. If properly designed, V-Seals can be used in applications demanding 5000 FPM.

V-Seals are manufactured in different profiles to suit a variety of application needs. Requirements for V-Seals are 32 to 125 RMS, depending on the particular application. Applications for V-Seals include:

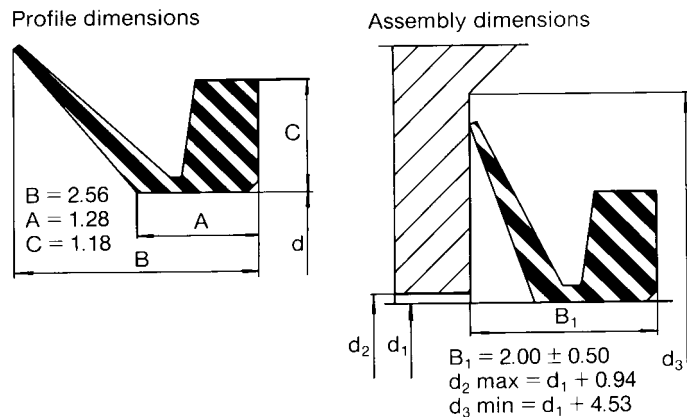
- | | |
|---------------|------------------------|
| Pumps | Motors |
| Conveyors | Gear Boxes |
| Mining | Machining Equipment |
| Pillow Blocks | Boring Boxes |
| Automotive | Agricultural Equipment |
| Steel Mills | Paper Mills |
| Rolling Mills | Strip Mills |
| Drills | Marine |



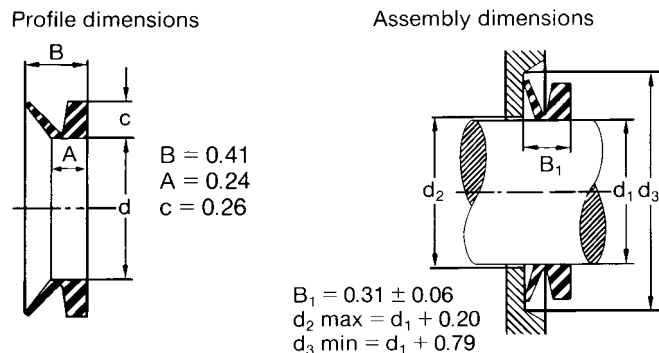
Timken Style VS1



Timken Style VS2



Timken Style VS3



Timken Style VS4



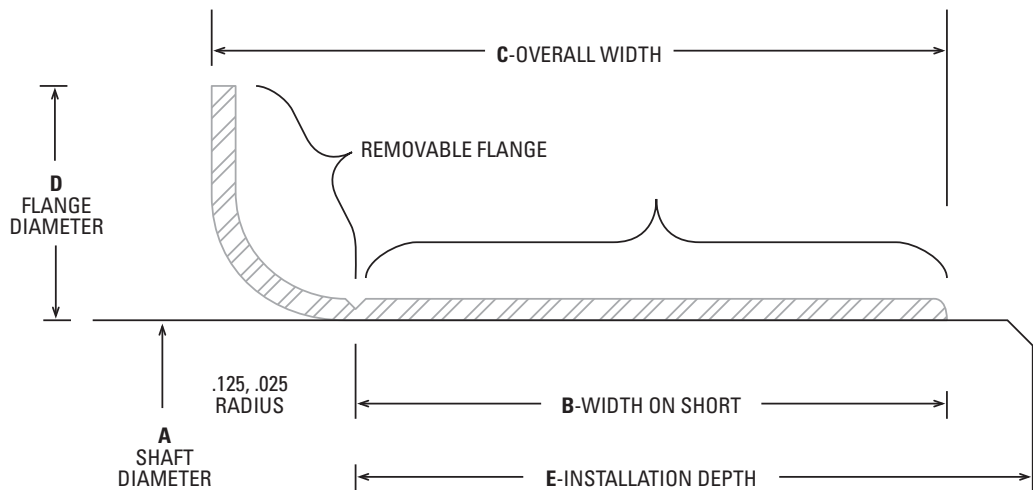
KWIK-SLEEVE™ – COMPONENTS

Put the new technology found in KWIK- Sleeve™ – Components to work for you. Use KWIK-Sleeves to restore worn yokes and shafts, giving them new life. KWIK-Sleeves are so hard, wear resistant and friction free; it will set new standards for trouble free sleeving.

The concept of a thin wall flanged sleeve is popular for fast sleeving of shafts and yokes. However, the results often fall short of expectations. The soft sleeves lack durability and operate with too much resistance, resulting in excessive heat and failures.

KWIK-Sleeves minimize these problems and provide a long-life sleeve at an affordable price.

The innovative technology used in KWIK-Sleeves will set the new standard in the industry.



The KWIK Sleeve Difference:

Hard Chrome Coating

KWIK-Sleeves stainless steel sleeves are hard chromed for extended life.

Lower Coefficient of Friction

The stainless steel finish provides a smoother surface and has a lower coefficient of friction, reducing heat and seal wear.

Better Seal Fit

KWIK-Sleeves minimize the change to the original shaft diameter. This provides a better fit between the repaired shaft and seal.

| Shaft | Bore | O.D. | Width | Part Number | Style | Matl |
|---------------|-------|-------|--------------|-------------|-------|------|
| 0.156" | | | 5/32" | | | |
| 0.156 | 0.500 | 0.504 | 0.187 | 340872 | 340 | S |
| 0.236" | | | 6mm | | | |
| 0.236 | 0.630 | 0.641 | 0.276 | ◆61607XX | 350 | S |
| 6 | 16 | 16.28 | 7 | | | |
| 0.236 | 0.866 | 0.877 | 0.276 | ◆62207XX | 350 | S |
| 6 | 22 | 22.28 | 7 | | | |
| 0.250" | | | | | | |
| 0.250 | 0.500 | 0.509 | 0.125 | 343104 | 340 | S |
| 0.250 | 0.750 | 0.760 | 0.175 | 240435 | 240 | S |
| 0.250 | 0.750 | 0.759 | 0.244 | 350435 | 350 | S |
| 0.276" | | | 7mm | | | |
| 0.276 | 0.630 | 0.641 | 0.276 | ◆71607XX | 320 | S |
| 7 | 16 | 16.28 | 7 | | | |
| 0.276 | 0.866 | 0.877 | 0.276 | ◆72207XX | 350 | S |
| 7 | 22 | 22.28 | 7 | | | |
| 0.312" | | | 5/16" | | | |
| 0.312 | 0.500 | 0.509 | 0.125 | 340826 | 340 | S |
| 0.312 | 0.625 | 0.635 | 0.175 | 240698 | 240 | S |
| 0.312 | 0.689 | 0.690 | 0.313 | 712022 | # | S |
| 0.312 | 0.749 | 0.753 | 0.250 | 712021 | # | S |
| 0.312 | 0.750 | 0.759 | 0.252 | 350364 | 350 | S |
| 0.312 | 0.999 | 1.003 | 0.375 | 470195 | 470 | S |
| 0.312 | 1.250 | 1.254 | 0.375 | 50445 | 50S | S |
| 0.315" | | | 8mm | | | |
| 0.315 | 0.551 | 0.559 | 0.157 | ◆81404XX | 350 | S |
| 8 | 14 | 14.20 | 4 | | | |
| 0.315 | 0.630 | 0.638 | 0.236 | ◆220860 | 350 | S |
| 8 | 16 | 16.20 | 6 | | | |
| 0.315 | 0.630 | 0.639 | 0.276 | ◆81607XX | 350 | S |
| 8 | 16 | 16.23 | 7 | | | |
| 0.315 | 0.709 | 0.717 | 0.197 | ◆81805XX | 350 | S |
| 8 | 18 | 18.20 | 5 | | | |
| 0.315 | 0.709 | 0.717 | 0.276 | ◆220818 | 320 | S |
| 8 | 18 | 18.20 | 7 | | | |
| 0.315 | 0.709 | 0.717 | 0.276 | ◆81807XX | 320 | S |
| 8 | 18 | 18.20 | 7 | | | |
| 0.315 | 0.866 | 0.877 | 0.276 | ◆82207XX | 320 | S |
| 8 | 22 | 22.20 | 7 | | | |
| 0.315 | 0.945 | 0.956 | 0.276 | ◆82407XX | 350 | S |
| 8 | 24 | 24.28 | 7 | | | |
| 0.354" | | | 9mm | | | |
| 0.354 | 0.709 | 0.717 | 0.276 | ◆220918 | 350 | S |
| 9 | 18 | 18.20 | 7 | | | |

| Shaft | Bore | O.D. | Width | Part Number | Style | Matl |
|---------------|-------|-------|-------------|-------------|-------|------|
| 0.354 | 0.709 | 0.717 | 0.276 | ◆91807XX | 350 | S |
| 9 | 18 | 18.20 | 7 | | | |
| 0.354 | 0.866 | 0.874 | 0.276 | ◆92207XX | 350 | S |
| 9 | 22 | 22.20 | 7 | | | |
| 0.354 | 0.945 | 0.956 | 0.276 | ◆92407XX | 350 | S |
| 9 | 24 | 24.28 | 7 | | | |
| 0.354 | 1.024 | 1.035 | 0.276 | ◆92607XX | 350 | S |
| 9 | 26 | 26.28 | 7 | | | |
| 0.375" | | | 3/8" | | | |
| 0.375 | 0.562 | 0.571 | 0.125 | 340827 | 340 | S |
| 0.375 | 0.687 | 0.693 | 0.156 | 311189 | 310 | S |
| 0.375 | 0.750 | 0.760 | 0.175 | 240385 | 240 | S |
| 0.375 | 0.750 | 0.756 | 0.250 | 340385 | 340 | S |
| 0.375 | 0.750 | 0.756 | 0.252 | 330385 | 330 | S |
| 0.375 | 0.750 | 0.756 | 0.252 | 50385 | 50S | H |
| 0.375 | 0.750 | 0.756 | 0.252 | 50385S | 50S | S |
| 0.375 | 0.836 | 0.841 | 0.187 | 444258 | 440 | S |
| 0.375 | 0.836 | 0.841 | 0.187 | 474279N | 470 | N |
| 0.375 | 0.875 | 0.880 | 0.250 | 473096 | 470 | S |
| 0.375 | 0.875 | 0.884 | 0.311 | 350156 | 350 | S |
| 0.375 | 0.999 | 1.004 | 0.250 | 471103 | 470 | S |
| 0.375 | 0.999 | 1.005 | 0.313 | 50197S | 50S | S |
| 0.394" | | | 10mm | | | |
| 0.394 | 0.748 | 0.756 | 0.276 | ◆101907XX | 350 | S |
| 10 | 19 | 19.20 | 7 | | | |
| 0.394 | 0.748 | 0.757 | 0.276 | ◆221040 | 350 | S |
| 10 | 19 | 19.23 | 7 | | | |
| 0.394 | 0.866 | 0.877 | 0.276 | ◆102207XX | 320 | S |
| 10 | 22 | 22.28 | 7 | | | |
| 0.394 | 0.945 | 0.954 | 0.276 | ◆102407XX | 350 | S |
| 10 | 24 | 24.23 | 7 | | | |
| 0.394 | 0.984 | 0.995 | 0.276 | ◆102507XX | 320 | S |
| 10 | 25 | 25.28 | 7 | | | |
| 0.394 | 1.024 | 1.033 | 0.276 | ◆102607XX | 320 | S |
| 10 | 26 | 26.23 | 7 | | | |
| 0.408" | | | | | | |
| 0.408 | 1.004 | 1.008 | 0.208 | 4701 | 490 | N |
| 0.408 | 1.004 | 1.008 | 0.208 | 4701N | 490 | N |
| 0.433" | | | 11mm | | | |
| 0.433 | 0.669 | 0.679 | 0.157 | ◆111704XX | 320 | S |
| 11 | 17 | 17.25 | 4 | | | |
| 0.433 | 0.866 | 0.877 | 0.276 | ◆112207XX | 350 | S |
| 11 | 22 | 22.28 | 7 | | | |
| 0.433 | 0.866 | 0.875 | 0.276 | ◆221122 | 350 | S |
| 11 | 22 | 22.23 | 7 | | | |
| 0.433 | 1.024 | 1.035 | 0.276 | ◆112607XX | 350 | S |
| 11 | 26 | 26.28 | 7 | | | |

| Shaft | Bore | O.D. | Width | Part Number | Style | Matl | Shaft | Bore | O.D. | Width | Part Number | Style | Matl |
|---------------------|-------|-------|-------|-------------|-------|------|--------------|-------|-------|-------|-------------|-------|------|
| 0.437" 7/16" | | | | | | | 0.500 | 0.843 | 0.848 | 0.250 | 312196 | 310 | S |
| 0.437 | 0.625 | 0.634 | 0.126 | 343101 | 340 | S | 0.500 | 0.874 | 0.883 | 0.125 | 342613 | 340 | S |
| 0.437 | 0.875 | 0.885 | 0.175 | 240470 | 240 | S | 0.500 | 0.875 | 0.879 | 0.187 | 330699 | 330 | S |
| 0.437 | 0.875 | 0.881 | 0.252 | 472810 | 470 | S | 0.500 | 0.875 | 0.879 | 0.218 | 43080S | 40S | S |
| 0.437 | 0.875 | 0.881 | 0.252 | 50470S | 50S | S | 0.500 | 0.875 | 0.879 | 0.313 | 712019 | # | S |
| 0.437 | 0.999 | 1.005 | 0.250 | 50199S | 50S | S | 0.498 | 0.998 | 1.007 | 0.251 | 41442S | 40S | S |
| 0.437 | 0.999 | 1.003 | 0.375 | 470199 | 470 | S | 0.500 | 0.999 | 1.010 | 0.175 | 240119 | 240 | S |
| 0.437 | 1.000 | 1.009 | 0.250 | 6863S | 350 | S | 0.500 | 0.999 | 1.005 | 0.252 | 410119 | 410 | S |
| 0.437 | 1.124 | 1.128 | 0.250 | 474277 | 470 | S | 0.500 | 0.999 | 1.005 | 0.252 | 470119 | 470 | S |
| 0.437 | 1.124 | 1.128 | 0.406 | 453059 | 450 | S | 0.500 | 0.999 | 1.005 | 0.252 | 471442 | 470 | S |
| 0.437 | 0.999 | 1.003 | 0.375 | 470199 | 470 | S | 0.500 | 0.999 | 1.005 | 0.252 | 471442A | 470 | A |
| 0.437 | 1.000 | 1.009 | 0.250 | 6863S | 350 | S | 0.500 | 0.999 | 1.005 | 0.252 | 471442V | 470 | V |
| 0.437 | 1.124 | 1.128 | 0.250 | 474277 | 470 | S | 0.500 | 1.000 | 1.009 | 0.252 | 450119 | 450 | S |
| 0.437 | 1.124 | 1.128 | 0.406 | 453059 | 450 | S | 0.500 | 1.003 | 1.009 | 0.250 | 1041 | 480 | S |
| 0.468" 12mm | | | | | | | 0.500 | 1.124 | 1.128 | 0.250 | 41526S | 40S | S |
| 0.468 | 1.124 | 1.126 | 0.375 | 470004 | 470 | S | 0.500 | 1.124 | 1.130 | 0.250 | 450005 | 450 | S |
| 0.472" 12mm | | | | | | | 0.500 | 1.124 | 1.130 | 0.252 | 470005 | 470 | S |
| 0.472 | 0.748 | 0.756 | 0.197 | ◆121905XX | 320 | S | 0.500 | 1.124 | 1.128 | 0.252 | 471526 | 470 | S |
| 12 | 19 | 19.20 | 5 | | | | 0.500 | 1.124 | 1.128 | 0.252 | 471526A | 470 | A |
| 0.472 | 0.787 | 0.798 | 0.197 | ◆122005XX | 320 | S | 0.500 | 1.156 | 1.166 | 0.250 | 324112 | 320 | S |
| 12 | 20 | 20.28 | 5 | | | | 0.500 | 1.250 | 1.256 | 0.250 | 470014 | 470 | S |
| 0.472 | 0.866 | 0.876 | 0.276 | ◆122207XX | 350 | S | | | | | | | |
| 12 | 22 | 22.25 | 7 | | | | | | | | | | |
| 0.472 | 0.866 | 0.876 | 0.276 | ◆221207 | 350 | S | | | | | | | |
| 12 | 22 | 22.25 | 7 | | | | | | | | | | |
| 0.472 | 0.866 | 0.875 | 0.276 | ◆221208 | 350 | V | | | | | | | |
| 12 | 22 | 22.23 | 7 | | | | | | | | | | |
| 0.472 | 0.945 | 0.954 | 0.276 | ◆122407XX | 320 | S | | | | | | | |
| 12 | 24 | 24.23 | 7 | | | | | | | | | | |
| 0.472 | 0.984 | 0.992 | 0.177 | ◆12X25045XX | 320 | S | | | | | | | |
| 12 | 25 | 25.20 | 4.50 | | | | | | | | | | |
| 0.472 | 0.984 | 0.994 | 0.276 | ◆122507XX | 480 | S | | | | | | | |
| 12 | 25 | 25.25 | 7 | | | | | | | | | | |
| 0.472 | 1.000 | 1.006 | 0.375 | 320457 | 320 | S | | | | | | | |
| 0.472 | 1.024 | 1.031 | 0.276 | ◆122607XX | 320 | S | | | | | | | |
| 12 | 26 | 26.20 | 7 | | | | | | | | | | |
| 0.472 | 1.102 | 1.110 | 0.276 | ◆122807XX | 350 | S | | | | | | | |
| 12 | 28 | 28.20 | 7 | | | | | | | | | | |
| 0.472 | 1.181 | 1.189 | 0.276 | ◆123007XX | 350 | S | | | | | | | |
| 12 | 30 | 30.20 | 7 | | | | | | | | | | |
| 0.472 | 1.260 | 1.268 | 0.276 | ◆123207XX | 350 | S | | | | | | | |
| 12 | 32 | 32.20 | 7 | | | | | | | | | | |
| 0.472 | 1.378 | 1.386 | 0.276 | ◆123507XX | 320 | S | | | | | | | |
| 12 | 35 | 35.20 | 7 | | | | | | | | | | |
| 0.490" 14mm | | | | | | | | | | | | | |
| 0.490 | 0.875 | 0.883 | 0.250 | 340771 | 340 | S | | | | | | | |
| 0.490 | 1.122 | 1.132 | 0.265 | 351028 | 350 | S | | | | | | | |
| 0.500" 1/2" | | | | | | | | | | | | | |
| 0.500 | 0.687 | 0.696 | 0.094 | 342805 | 340 | S | | | | | | | |
| 0.500 | 0.749 | 0.753 | 0.093 | 43095S | 40S | S | | | | | | | |
| 0.500 | 0.750 | 0.759 | 0.125 | 340847 | 340 | S | | | | | | | |
| 0.500 | 0.750 | 0.756 | 0.126 | 8792S | 310 | S | | | | | | | |
| 0.512" 13mm | | | | | | | | | | | | | |
| 0.512 | 0.866 | 0.874 | 0.236 | ◆132206XX | 320 | S | | | | | | | |
| 13 | 22 | 22.20 | 6 | | | | | | | | | | |
| 0.512 | 0.866 | 0.874 | 0.236 | ◆710348 | 320 | S | | | | | | | |
| 13 | 22 | 22.20 | 6 | | | | | | | | | | |
| 0.512 | 1.024 | 1.031 | 0.276 | ◆132607XX | 320 | S | | | | | | | |
| 13 | 26 | 26.20 | 7 | | | | | | | | | | |
| 0.512 | 1.102 | 1.110 | 0.276 | ◆132807XX | 320 | S | | | | | | | |
| 13 | 28 | 28.20 | 7 | | | | | | | | | | |
| 0.512 | 1.181 | 1.189 | 0.276 | ◆133007XX | 320 | S | | | | | | | |
| 13 | 30 | 30.20 | 7 | | | | | | | | | | |
| 0.531" 14mm | | | | | | | | | | | | | |
| 0.531 | 1.124 | 1.128 | 0.312 | 471530 | 470 | S | | | | | | | |
| 0.551" 14mm | | | | | | | | | | | | | |
| 0.551 | 0.945 | 0.954 | 0.236 | ◆221410 | 350 | S | | | | | | | |
| 14 | 24 | 24.23 | 6 | | | | | | | | | | |
| 0.551 | 0.945 | 0.954 | 0.276 | ◆142407XX | 350 | S | | | | | | | |
| 14 | 24 | 24.23 | 7 | | | | | | | | | | |
| 0.551 | 0.945 | 0.952 | 0.500 | ◆2004 | # | S | | | | | | | |
| 14 | 24 | 24.17 | 12.70 | | | | | | | | | | |
| 0.551 | 0.984 | 0.993 | 0.197 | ◆142505XX | 320 | S | | | | | | | |
| 14 | 25 | 25.23 | 5 | | | | | | | | | | |

| Shaft | Bore | O.D. | Width | Part Number | Style | Matl |
|----------------------|-------------|----------------|------------|-------------|-------|------|
| 0.551 14 | 0.984 25 | 0.993 25.22 | 0.276 7 | ◆710116 | 320 | N |
| 0.551 14 | 1.000 26 | 1.004 26.23 | 0.312 7 | 473546 | 470 | S |
| 0.551 14 | 1.024 26 | 1.033 26.23 | 0.276 7 | ◆142607XX | 320 | S |
| 0.551 14 | 1.063 27 | 1.071 27.20 | 0.276 7 | ◆142707XX | 320 | S |
| 0.551 14 | 1.102 28 | 1.111 28.23 | 0.236 6 | ◆142806XX | 350 | S |
| 0.551 14 | 1.181 30 | 1.189 30.20 | 0.276 7 | ◆143007XX | 320 | S |
| 0.551 14 | 1.260 32 | 1.268 32.20 | 0.276 7 | ◆143207XX | 320 | S |
| 0.551 14 | 1.378 35 | 1.387 35.22 | 0.276 7 | ◆143507XX | 350 | S |
| 0.562" 9/16" | | | | | | |
| 0.562 | 0.750 | 0.754 | 0.094 | 712028 | # | S |
| 0.562 | 0.999 | 1.005 | 0.250 | 472705 | 470 | S |
| 0.562 | 1.004 | 1.008 | 0.254 | 718610 | 470 | N |
| 0.562 | 1.246 | 1.250 | 0.375 | 450536 | 450 | S |
| 0.562 | 1.250 | 1.254 | 0.250 | 471535 | 470 | S |
| 0.563" 9/16" | | | | | | |
| 0.563 | 0.875 | 0.881 | 0.188 | 314259 | 310 | S |
| 0.563 | 1.125 | 1.131 | 0.252 | 471281 | 470 | S |
| 0.563 | 1.378 | 1.384 | 0.252 | 471551 | 470 | S |
| 0.591" 13/22" | | | | | | |
| 15 | 0.000 | 1.102 | 0.276 | | | |
| 0.591 15 | 0.787 20 | 0.791 20.10 | 0.197 5 | ◆710346 | 490 | S |
| 0.591 15 | 0.945 24 | 0.954 24.23 | 0.276 7 | ◆152407XX | 350 | S |
| 0.591 15 | 0.945 24 | 0.953 24.20 | 0.276 7 | ◆2027 | 350 | S |
| 0.591 15 | 0.984 25 | 0.992 25.20 | 0.197 5 | ◆152505XX | 320 | S |
| 0.591 15 | 0.984 25 | 0.994 25.25 | 0.236 6 | ◆221510 | 320 | N |
| 0.591 15 | 0.984 25 | 0.992 25.20 | 0.276 7 | ◆152507XX | 350 | S |
| 0.591 15 | 1.024 26 | 1.033 26.23 | 0.276 7 | ◆152607XX | 350 | S |
| 0.591 15 | 1.102 28 | 1.110 28.20 | 0.276 7 | ◆152807XX | 320 | S |
| 0.591 15 | 1.181 30 | 1.190 30.23 | 0.276 7 | ◆153007XX | 350 | S |
| 0.591 15 | 1.181 30 | 1.190 30.23 | 0.276 7 | ◆221540 | 350 | S |
| 0.591 15 | 1.260 32 | 1.268 32.20 | 0.276 7 | ◆153207XX | 350 | S |
| 0.591 15 | 1.260 32 | 1.269 32.22 | 0.315 8 | ◆153208XX | 350 | S |
| 0.591 15 | 1.378 35 | 1.387 35.23 | 0.276 7 | ◆153507XX | 350 | S |

| Shaft | Bore | O.D. | Width | Part Number | Style | Matl |
|--------------------|-------------|----------------|------------|-------------|-------|------|
| 0.591 15 | 1.457 37 | 1.465 37.20 | 0.236 6 | ◆153706XX | 320 | S |
| 0.591 15 | 1.575 40 | 1.583 40.20 | 0.276 7 | ◆154007XX | 320 | S |
| 0.593" | | | | | | |
| 0.593 | 0.935 | 0.943 | 0.175 | 340797 | 340 | S |
| 0.593 | 1.124 | 1.128 | 0.312 | 471532 | 470 | S |
| 0.593 | 1.250 | 1.254 | 0.312 | 473405 | 470 | S |
| 0.593 | 1.375 | 1.379 | 0.312 | 471558 | 470 | S |
| 0.610" | | | | | | |
| 0.610 | 1.102 | 1.108 | 0.598 | 710274 | 680 | V |
| 0.614" | | | | | | |
| 0.614 | 0.999 | 1.006 | 0.250 | 340724 | 340 | S |
| 0.625" 5/8" | | | | | | |
| 0.625 | 0.812 | 0.821 | 0.094 | 340387 | 340 | S |
| 0.625 | 0.875 | 0.880 | 0.125 | 253747 | 250 | S |
| 0.625 | 0.875 | 0.881 | 0.126 | 340849 | 340 | S |
| 0.625 | 0.937 | 0.945 | 0.187 | 7399S | 240 | S |
| 0.625 | 0.937 | 0.943 | 0.188 | 343105 | 340 | S |
| 0.625 | 0.999 | 1.005 | 0.252 | 7188S | 330 | S |
| 0.625 | 1.000 | 1.006 | 0.125 | 314267N | 310 | N |
| 0.625 | 1.000 | 1.009 | 0.252 | 351487 | 350 | S |
| 0.625 | 1.124 | 1.135 | 0.175 | 240009 | 240 | S |
| 0.625 | 1.124 | 1.133 | 0.250 | 340009 | 340 | S |
| 0.625 | 1.124 | 1.133 | 0.250 | 340009S | 340 | S |
| 0.625 | 1.124 | 1.133 | 0.250 | 41466S | 40S | S |
| 0.625 | 1.124 | 1.130 | 0.250 | 450009 | 450 | S |
| 0.625 | 1.124 | 1.130 | 0.252 | 470009 | 470 | S |
| 0.625 | 1.124 | 1.128 | 0.252 | 471466 | 470 | S |
| 0.625 | 1.124 | 1.128 | 0.252 | 471466A | 470 | A |
| 0.625 | 1.124 | 1.128 | 0.252 | 471466V | 470 | V |
| 0.625 | 1.124 | 1.128 | 0.312 | 410791V | 410 | V |
| 0.625 | 1.124 | 1.128 | 0.375 | 712017 | # | S |
| 0.625 | 1.124 | 1.128 | 0.375 | 712024 | # | S |
| 0.625 | 1.125 | 1.134 | 0.252 | 351466 | 350 | S |
| 0.625 | 1.181 | 1.185 | 0.350 | 471291V | 470 | V |
| 0.625 | 1.250 | 1.254 | 0.250 | 41264S | 40S | S |
| 0.625 | 1.250 | 1.256 | 0.252 | 470018 | 470 | S |
| 0.625 | 1.250 | 1.259 | 0.252 | 471264 | 470 | S |
| 0.625 | 1.250 | 1.259 | 0.252 | 471264A | 470 | A |
| 0.625 | 1.250 | 1.256 | 0.311 | 450535 | 450 | S |
| 0.625 | 1.374 | 1.383 | 0.251 | 351255 | 350 | S |
| 0.625 | 1.375 | 1.385 | 0.175 | 240023 | 240 | S |

| Shaft | Bore | O.D. | Width | Part Number | Style | Matl |
|-------|-------|-------|-------|-------------|-------|------|
| 0.625 | 1.375 | 1.381 | 0.252 | 470023 | 470 | S |
| 0.625 | 1.375 | 1.381 | 0.252 | 470557 | 470 | S |
| 0.625 | 1.375 | 1.379 | 0.252 | 471255 | 470 | S |
| 0.625 | 1.375 | 1.379 | 0.252 | 471255A | 470 | A |
| 0.625 | 1.375 | 1.379 | 0.252 | 471255V | 470 | V |
| 0.625 | 1.499 | 1.505 | 0.252 | 471564 | 470 | S |
| 0.625 | 1.574 | 1.580 | 0.311 | 471612 | 470 | S |
| 0.625 | 1.624 | 1.628 | 0.312 | 471653 | 470 | S |
| 0.625 | 1.624 | 1.628 | 0.437 | 471024 | 470 | S |

0.630" 16mm

| | | | | | | |
|-------|-------|-------|-------|-----------|-----|---|
| 0.630 | 0.866 | 0.874 | 0.157 | ◆162204XX | 320 | S |
| 16 | 22 | 22.20 | 4 | | | |
| 0.630 | 0.945 | 0.953 | 0.236 | ◆162406XX | 320 | S |
| 16 | 24 | 24.20 | 6 | | | |
| 0.630 | 0.945 | 0.953 | 0.276 | ◆162407XX | 320 | S |
| 16 | 24 | 24.20 | 7 | | | |
| 0.630 | 0.984 | 0.992 | 0.197 | ◆162405XX | 350 | S |
| 16 | 25 | 25.20 | 5 | | | |
| 0.630 | 1.024 | 1.031 | 0.276 | ◆162607XX | 320 | S |
| 16 | 26 | 26.20 | 7 | | | |

| | | | | | | |
|-------|-------|-------|-------|-----------|-----|---|
| 0.630 | 1.024 | 1.028 | 0.276 | 710243 | 250 | S |
| 0.630 | 1.063 | 1.071 | 0.551 | ◆221607 | # | N |
| 16 | 27 | 27.20 | 14 | | | |
| 0.630 | 1.072 | 1.076 | 0.354 | 714662 | 470 | V |
| 0.630 | 1.102 | 1.110 | 0.276 | ◆162807XX | 350 | S |
| 16 | 28 | 28.23 | 7 | | | |
| 0.630 | 1.102 | 1.111 | 0.276 | ◆221610 | 320 | N |
| 16 | 28 | 28.22 | 7 | | | |

| | | | | | | |
|-------|-------|-------|-------|-----------|-----|---|
| 0.630 | 1.181 | 1.190 | 0.276 | ◆163007XX | 350 | S |
| 16 | 30 | 30.23 | 7 | | | |
| 0.630 | 1.181 | 1.190 | 0.276 | ◆221620 | 350 | S |
| 16 | 30 | 30.23 | 7 | | | |
| 0.630 | 1.260 | 1.271 | 0.276 | ◆163207XX | 320 | S |
| 16 | 32 | 32.28 | 7 | | | |
| 0.630 | 1.378 | 1.387 | 0.276 | ◆163507XX | 350 | S |
| 16 | 35 | 35.23 | 7 | | | |
| 0.630 | 1.496 | 1.504 | 0.276 | ◆163807XX | 320 | S |
| 16 | 38 | 38.20 | 7 | | | |

| | | | | | | |
|-------|-------|-------|-------|-----------|-----|---|
| 0.630 | 1.575 | 1.583 | 0.276 | ◆164007XX | 320 | S |
| 16 | 40 | 40.20 | 7 | | | |
| 0.630 | 1.762 | 1.770 | 0.354 | 714616 | # | V |

0.656"

| | | | | | | |
|-------|-------|-------|-------|--------|-----|---|
| 0.656 | 1.124 | 1.128 | 0.250 | 481528 | 480 | S |
| 0.656 | 1.250 | 1.258 | 0.250 | 340469 | 340 | S |
| 0.656 | 1.250 | 1.254 | 0.250 | 481537 | 480 | S |
| 0.656 | 1.376 | 1.382 | 0.250 | 481073 | 480 | S |
| 0.656 | 1.575 | 1.579 | 0.250 | 481397 | 480 | S |

0.668"

| | | | | | | |
|-------|-------|-------|-------|--------|-----|---|
| 0.668 | 1.187 | 1.191 | 0.185 | 481481 | 480 | S |
|-------|-------|-------|-------|--------|-----|---|

| Shaft | Bore | O.D. | Width | Part Number | Style | Matl |
|-------|------|------|-------|-------------|-------|------|
|-------|------|------|-------|-------------|-------|------|

0.669"

| | | | | | | |
|-------|-------|-------|-------|-----------|-----|---|
| 0.669 | 0.819 | 0.823 | 0.122 | 710361 | 440 | S |
| 0.669 | 0.984 | 0.990 | 0.197 | ◆710362 | 490 | S |
| 17 | 25 | 25.15 | 5 | | | |
| 0.669 | 1.063 | 1.071 | 0.276 | ◆172707XX | 320 | S |
| 17 | 27 | 27.20 | 7 | | | |
| 0.669 | 1.102 | 1.111 | 0.276 | ◆172807XX | 350 | S |
| 17 | 28 | 28.23 | 7 | | | |
| 0.669 | 1.102 | 1.111 | 0.276 | ◆221710 | 350 | S |
| 17 | 28 | 28.22 | 7 | | | |

| | | | | | | |
|-------|-------|-------|-------|-----------|-----|---|
| 0.669 | 1.181 | 1.190 | 0.276 | ◆173007XX | 350 | S |
| 17 | 30 | 30.23 | 7 | | | |
| 0.669 | 1.181 | 1.190 | 0.276 | ◆221720 | 470 | S |
| 17 | 30 | 30.23 | 7 | | | |
| 0.669 | 1.260 | 1.269 | 0.276 | ◆173207XX | 350 | S |
| 17 | 32 | 32.22 | 7 | | | |
| 0.669 | 1.260 | 1.269 | 0.276 | ◆221730 | 350 | S |
| 17 | 32 | 32.23 | 7 | | | |
| 0.669 | 1.339 | 1.344 | 0.311 | ◆710251 | 470 | N |
| 17 | 34 | 34.14 | 7.90 | | | |

| | | | | | | |
|-------|-------|-------|-------|-----------|-----|---|
| 0.669 | 1.378 | 1.385 | 0.276 | ◆173507XX | 350 | S |
| 17 | 35 | 35.18 | 7 | | | |
| 0.669 | 1.378 | 1.387 | 0.276 | ◆221735 | 350 | S |
| 17 | 35 | 35.23 | 7 | | | |
| 0.669 | 1.378 | 1.386 | 0.315 | ◆173508XX | 350 | S |
| 17 | 35 | 35.20 | 8 | | | |
| 0.669 | 1.457 | 1.465 | 0.276 | ◆173707XX | 320 | S |
| 17 | 37 | 37.20 | 7 | | | |
| 0.669 | 1.496 | 1.504 | 0.276 | ◆173807XX | 320 | S |
| 17 | 38 | 38.20 | 7 | | | |

| | | | | | | |
|-------|-------|-------|-------|-----------|-----|---|
| 0.669 | 1.575 | 1.584 | 0.276 | ◆174007XX | 350 | S |
| 17 | 40 | 40.23 | 7 | | | |
| 0.669 | 1.850 | 1.858 | 0.276 | ◆174707XX | 350 | S |
| 17 | 47 | 47.20 | 7 | | | |
| 0.669 | 1.850 | 1.858 | 0.315 | ◆174708XX | 320 | S |
| 17 | 47 | 47.20 | 8 | | | |

0.685" 17mm

| | | | | | | |
|-------|-------|-------|-------|---------|-----|---|
| 0.685 | 1.181 | 1.190 | 0.276 | ◆710344 | 320 | S |
| 17 | 30 | 30.23 | 7 | | | |

0.687" 11/16"

| | | | | | | |
|-------|-------|-------|-------|---------|-----|---|
| 0.687 | 1.124 | 1.130 | 0.252 | 471529 | 470 | S |
| 0.687 | 1.187 | 1.191 | 0.187 | 474261 | 470 | S |
| 0.687 | 1.250 | 1.256 | 0.250 | 471538 | 470 | S |
| 0.687 | 1.250 | 1.256 | 0.250 | 481538 | 480 | S |
| 0.687 | 1.250 | 1.256 | 0.250 | 481538V | 480 | V |

| | | | | | | |
|-------|-------|-------|-------|--------|-----|---|
| 0.687 | 1.250 | 1.254 | 0.250 | 8773S→ | 250 | S |
| 0.687 | 1.374 | 1.380 | 0.311 | 450025 | 450 | S |
| 0.687 | 1.375 | 1.379 | 0.250 | 471553 | 470 | S |
| 0.687 | 1.375 | 1.379 | 0.406 | 470025 | 470 | S |
| 0.687 | 1.499 | 1.503 | 0.312 | 471579 | 470 | S |

| | | | | | | |
|-------|-------|-------|-------|--------|-----|---|
| 0.687 | 1.624 | 1.628 | 0.250 | 471642 | 470 | S |
|-------|-------|-------|-------|--------|-----|---|

| Shaft | Bore | O.D. | Width | Part Number | Style | Matl |
|-----------------------|----------------|----------------|---------------|-------------|-------|------|
| 0.689" 17.50mm | | | | | | |
| 0.689 17.50 | 1.083 27.50 | 1.092 27.74 | 0.276 7 | ◆710299 | 660 | N |
| 0.690" | | | | | | |
| 0.690 | 0.997 | 1.003 | 0.295 | 3667 | 2710 | S |
| 0.701" | | | | | | |
| 0.701 | 1.160 | 1.164 | 0.250 | 331173 | 330 | S |
| 0.709" 18mm | | | | | | |
| 0.709 18 | 0.906 23 | 0.915 23.24 | 0.157 4 | ◆710297 | 340 | S |
| 0.709 | 1.024 | 1.028 | 0.157 | 710222 | 980 | S |
| 0.709 18 | 1.102 28 | 1.111 28.22 | 0.236 6 | ◆1015 | 350 | S |
| 0.709 18 | 1.102 28 | 1.111 28.22 | 0.236 6 | ◆1015N | 350 | S |
| 0.709 18 | 1.102 28 | 1.113 28.28 | 0.236 6 | ◆182806XX | 350 | S |
| 0.709 18 | 1.181 30 | 1.185 30.10 | 0.264 6.70 | ◆3816 | 2710 | S |
| 0.709 18 | 1.181 30 | 1.190 30.23 | 0.276 7 | ◆183007XX | 350 | S |
| 0.709 18 | 1.181 30 | 1.190 30.23 | 0.315 8 | ◆221820 | 320 | S |
| 0.709 18 | 1.260 32 | 1.268 32.20 | 0.276 7 | ◆183207XX | 350 | S |
| 0.709 18 | 1.260 32 | 1.269 32.23 | 0.276 7 | ◆221830 | 350 | S |
| 0.709 18 | 1.260 32 | 1.269 32.23 | 0.276 7 | ◆710156 | 320 | S |
| 0.709 18 | 1.260 32 | 1.269 32.22 | 0.315 8 | ◆183208XX | 350 | S |
| 0.709 18 | 1.339 34 | 1.348 34.24 | 0.276 7 | ◆710412 | 320 | S |
| 0.709 18 | 1.378 35 | 1.385 35.18 | 0.276 7 | ◆183507XX | 320 | S |
| 0.709 18 | 1.457 37 | 1.465 37.20 | 0.315 8 | ◆183708XX | 320 | S |
| 0.709 18 | 1.496 38 | 1.504 38.20 | 0.276 7 | ◆183807XX | 320 | S |
| 0.709 18 | 1.575 40 | 1.583 40.22 | 0.276 7 | ◆184007XX | 350 | S |
| 0.718" | | | | | | |
| 0.718 | 1.250 | 1.254 | 0.375 | 470506 | 470 | S |
| 0.735" | | | | | | |
| 0.735 | 1.248 | 1.252 | 0.250 | 472878 | 470 | S |

| Shaft | Bore | O.D. | Width | Part Number | Style | Matl |
|-------------------------|-------------|----------------|---------------|-------------|-------|------|
| 0.736" | | | | | | |
| 0.736 | 1.378 | 1.386 | 0.276 | 710272 | 320 | N |
| 0.737" | | | | | | |
| 0.737 | 1.375 | 1.379 | 0.343 | 473416 | 470 | S |
| 0.748" 3/4" 19mm | | | | | | |
| 0.748 19 | 1.063 27 | 1.071 27.20 | 0.236 6 | ◆192706XX | 350 | S |
| 0.748 19 | 1.181 30 | 1.190 30.23 | 0.197 5 | ◆221920 | 320 | S |
| 0.748 19 | 1.181 30 | 1.189 30.20 | 0.276 7 | ◆193007XX | 320 | S |
| 0.748 19 | 1.260 32 | 1.268 32.20 | 0.276 7 | ◆193207XX | 350 | S |
| 0.748 19 | 1.260 32 | 1.268 32.20 | 0.315 8 | ◆193208XX | 320 | S |
| 0.748 19 | 1.260 32 | 1.269 32.23 | 0.315 8 | ◆221922 | 320 | S |
| 0.748 19 | 1.378 35 | 1.387 35.23 | 0.315 8 | ◆710445 | 350 | S |
| 0.748 19 | 1.378 35 | 1.387 35.23 | 0.394 10 | ◆193510XX | 350 | S |
| 0.748 19 | 1.378 35 | 1.387 35.23 | 0.394 10 | ◆710273 | 350 | S |
| 0.748 19 | 1.417 36 | 1.426 36.23 | 0.256 6.50 | ◆221925 | 350 | S |
| 0.748 19 | 1.496 38 | 1.505 38.23 | 0.276 7 | ◆710154 | 320 | S |
| 0.748 19 | 1.575 40 | 1.584 40.23 | 0.394 10 | ◆194010XX | 350 | S |
| 0.748 19 | 1.850 47 | 1.858 47.20 | 0.276 7 | ◆194707XX | 320 | S |
| 0.750" 3/4" | | | | | | |
| 0.750 | 1.000 | 1.009 | 0.125 | 342518 | 340 | S |
| 0.750 | 1.000 | 1.006 | 0.126 | 240735 | 240 | S |
| 0.750 | 1.000 | 1.006 | 0.126 | 312518 | 310 | S |
| 0.750 | 1.000 | 1.006 | 0.126 | 727410 | 440 | S |
| 0.750 | 1.031 | 1.035 | 0.313 | 7214 | 490 | S |
| 0.750 | 1.062 | 1.071 | 0.188 | 240816 | 240 | S |
| 0.750 | 1.063 | 1.067 | 0.187 | 7929S | 330 | S |
| 0.750 | 1.124 | 1.130 | 0.189 | 254270 | 250 | S |
| 0.750 | 1.124 | 1.133 | 0.189 | 340495 | 340 | S |
| 0.750 | 1.125 | 1.131 | 0.156 | 343185 | 340 | S |
| 0.750 | 1.125 | 1.131 | 0.189 | 1049 | 330 | S |
| 0.750 | 1.125 | 1.131 | 0.189 | 7750 | 480 | S |
| 0.750 | 1.250 | 1.254 | 0.250 | 41389S | 40S | S |
| 0.750 | 1.250 | 1.256 | 0.250 | 480954 | 480 | S |
| 0.750 | 1.250 | 1.256 | 0.250 | 480954V | 480 | V |

| Shaft | Bore | O.D. | Width | Part Number | Style | Matl | Shaft | Bore | O.D. | Width | Part Number | Style | Matl | |
|---------------|-------|-------|-------|-------------|-------|------|---------------|-------|-------|-------|-------------|-------|-------------|--|
| 0.750 | 1.250 | 1.256 | 0.250 | 6835S | 330 | S | 0.781 | 1.752 | 1.757 | 0.311 | 471337 | 470 | S | |
| 0.750 | 1.250 | 1.254 | 0.250 | 712027 | # | S | 0.781 | 1.828 | 1.834 | 0.250 | 450034 | 450 | N | |
| 0.750 | 1.250 | 1.259 | 0.252 | 350954 | 350 | S | 0.781 | 1.828 | 1.833 | 0.250 | 474273 | 470 | S | |
| 0.750 | 1.250 | 1.256 | 0.252 | 470141 | 470 | S | 0.781 | 1.828 | 1.832 | 0.437 | 470034 | 470 | S | |
| 0.750 | 1.250 | 1.256 | 0.252 | 470954 | 470 | S | 0.787" | | | | | | 20mm | |
| 0.750 | 1.250 | 1.256 | 0.252 | 470954A | 470 | A | 0.787 | 1.024 | 1.033 | 0.157 | ◆710249 | 970 | S | |
| 0.750 | 1.250 | 1.256 | 0.252 | 470954V | 470 | V | 20 | 26 | 26.24 | 4 | | | | |
| 0.750 | 1.250 | 1.254 | 0.280 | 2287 | 2740 | S | 0.787 | 1.102 | 1.110 | 0.236 | ◆202806XX | 320 | S | |
| 0.750 | 1.250 | 1.259 | 0.313 | 350679 | 350 | S | 20 | 28 | 28.20 | 6 | | | | |
| 0.750 | 1.250 | 1.256 | 0.374 | 450141 | 450 | S | 0.787 | 1.181 | 1.192 | 0.276 | ◆203007XX | 350 | S | |
| 0.750 | 1.250 | 1.254 | 0.375 | 712014 | # | S | 20 | 30 | 30.28 | 7 | | | | |
| 0.750 | 1.302 | 1.306 | 0.250 | 474131 | 470 | S | 0.787 | 1.181 | 1.190 | 0.276 | ◆222025 | 350 | S | |
| 0.750 | 1.311 | 1.317 | 0.311 | 252450 | 250 | S | 20 | 30 | 30.23 | 7 | | | | |
| 0.750 | 1.311 | 1.317 | 0.311 | 7013S | 250 | S | 0.787 | 1.260 | 1.269 | 0.276 | ◆203207XX | 350 | S | |
| 0.750 | 1.312 | 1.316 | 0.250 | 480821 | 480 | S | 20 | 32 | 32.23 | 7 | | | | |
| 0.750 | 1.375 | 1.379 | 0.250 | 40027S | 40S | S | 0.787 | 1.260 | 1.269 | 0.276 | ◆222020 | 350 | S | |
| 0.750 | 1.375 | 1.381 | 0.252 | 450027 | 450 | S | 20 | 32 | 32.23 | 7 | | | | |
| 0.750 | 1.375 | 1.381 | 0.252 | 470027 | 470 | S | 0.787 | 1.339 | 1.348 | 0.276 | 222028 | 320 | S | |
| 0.750 | 1.375 | 1.381 | 0.252 | 470895 | 470 | S | 0.787 | 1.378 | 1.387 | 0.217 | ◆222030→ | 320 | S | |
| 0.750 | 1.375 | 1.381 | 0.252 | 471554 | 470 | S | 20 | 35 | 35.23 | 5.50 | | | | |
| 0.750 | 1.375 | 1.381 | 0.252 | 471554A | 470 | A | 0.787 | 1.378 | 1.387 | 0.276 | ◆203507XX | 350 | S | |
| 0.750 | 1.375 | 1.381 | 0.252 | 471554V | 470 | V | 20 | 35 | 35.23 | 7 | | | | |
| 0.750 | 1.375 | 1.381 | 0.252 | 7028 | 250 | S | 0.787 | 1.417 | 1.425 | 0.276 | ◆203607XX | 320 | S | |
| 0.750 | 1.375 | 1.379 | 0.406 | 50027S | 450 | S | 20 | 36 | 36.20 | 7 | | | | |
| 0.750 | 1.499 | 1.505 | 0.252 | 471567 | 470 | S | 0.787 | 1.417 | 1.426 | 0.276 | ◆222036 | 320 | V | |
| 0.750 | 1.561 | 1.565 | 0.375 | 450340 | 450 | S | 20 | 36 | 36.22 | 7 | | | | |
| 0.750 | 1.561 | 1.565 | 0.375 | 470340 | 470 | S | 0.787 | 1.457 | 1.465 | 0.276 | ◆203707XX | 320 | S | |
| 0.750 | 1.575 | 1.584 | 0.311 | 471498 | 470 | S | 20 | 37 | 37.20 | 7 | | | | |
| 0.750 | 1.624 | 1.630 | 0.252 | 470211 | 470 | S | 0.787 | 1.457 | 1.465 | 0.315 | ◆203708XX | 320 | S | |
| 0.750 | 1.624 | 1.630 | 0.252 | 471643 | 470 | S | 20 | 37 | 37.20 | 8 | | | | |
| 0.750 | 1.752 | 1.756 | 0.250 | 471684 | 470 | S | 0.787 | 1.496 | 1.504 | 0.276 | ◆203807XX | 320 | S | |
| 0.750 | 1.752 | 1.756 | 0.312 | 471698 | 470 | S | 20 | 38 | 38.20 | 7 | | | | |
| 0.750 | 1.828 | 1.832 | 0.375 | 473406 | 470 | S | 0.787 | 1.575 | 1.584 | 0.276 | ◆204007XX | 350 | S | |
| 0.750 | 1.874 | 1.880 | 0.252 | 470390 | 470 | S | 20 | 40 | 40.23 | 7 | | | | |
| 0.750 | 1.983 | 1.987 | 0.250 | 473407 | 470 | S | 0.787 | 1.575 | 1.584 | 0.276 | ◆222050 | 350 | S | |
| 0.750 | 2.047 | 2.053 | 0.311 | 472649 | 470 | S | 20 | 40 | 40.23 | 7 | | | | |
| 0.750 | 2.127 | 2.131 | 0.250 | 472538 | 470 | S | 0.787 | 1.575 | 1.584 | 0.394 | ◆204010XX | 350 | S | |
| 0.762" | | | | | | | 0.787 | 1.654 | 1.663 | 0.276 | ◆204207XX | 350 | S | |
| 0.762 | 1.160 | 1.164 | 0.250 | 8750 | 330 | S | 20 | 42 | 42.25 | 7 | | | | |
| 0.762 | 1.160 | 1.164 | 0.250 | 8750S | 330 | S | 0.787 | 1.654 | 1.659 | 0.394 | ◆204210XX | 320 | S | |
| 0.781" | | | | | | | 20 | 42 | 42.15 | 10 | | | | |
| 0.781 | 1.250 | 1.254 | 0.250 | 470601 | 470 | S | 0.787 | 1.850 | 1.859 | 0.276 | ◆204707XX | 350 | S | |
| 0.781 | 1.250 | 1.254 | 0.375 | 471540V | 470 | V | 20 | 47 | 47.22 | 7 | | | | |
| 0.781 | 1.375 | 1.381 | 0.252 | 471443 | 470 | S | 0.787 | 1.850 | 1.859 | 0.335 | ◆710342→ | 320 | S | |
| 0.781 | 1.375 | 1.381 | 0.252 | 481443 | 480 | S | 20 | 47 | 47.22 | 8.50 | | | | |
| 0.781 | 1.499 | 1.503 | 0.250 | 481568 | 480 | S | 0.787 | 2.047 | 2.055 | 0.276 | ◆205207XX | 350 | S | |
| 0.781 | 1.499 | 1.503 | 0.250 | 481568 | 480 | S | 20 | 52 | 52.20 | 7 | | | | |
| 0.781 | 1.624 | 1.628 | 0.250 | 481644 | 480 | S | 0.796" | | | | | | | |
| 0.796 | 1.499 | 1.503 | 0.625 | 6357S | 920 | S | | | | | | | | |

| Shaft | Bore | O.D. | Width | Part Number | Style | Matl |
|----------------------|-------------|----------------|------------|-------------|-------|------|
| 0.812" 13/16" | | | | | | |
| 0.812 | 1.250 | 1.254 | 0.254 | 8609 | 470 | S |
| 0.812 | 1.312 | 1.316 | 0.250 | 480889 | 480 | S |
| 0.812 | 1.375 | 1.381 | 0.250 | 353131 | 350 | S |
| 0.812 | 1.375 | 1.379 | 0.406 | 470204 | 470 | S |
| 0.812 | 1.499 | 1.503 | 0.250 | 474253 | 470 | S |
| 0.812 | 1.561 | 1.565 | 0.375 | 470515 | 470 | S |
| 0.812 | 1.575 | 1.579 | 0.375 | 450588 | 450 | S |
| 0.812 | 1.575 | 1.579 | 0.375 | 470588 | 470 | S |
| 0.812 | 1.624 | 1.628 | 0.250 | 471645 | 470 | S |
| 0.812 | 1.624 | 1.628 | 0.250 | 471645V | 470 | V |
| 0.812 | 1.752 | 1.756 | 0.250 | 471686 | 470 | S |
| 0.812 | 1.828 | 1.832 | 0.375 | 473412 | 470 | S |
| 0.812 | 1.874 | 1.878 | 0.250 | 471729 | 470 | S |
| 0.813" 13/16" | | | | | | |
| 0.813 | 1.250 | 1.256 | 0.189 | 450431 | 450 | S |
| 0.813 | 1.250 | 1.256 | 0.232 | 471539 | 470 | S |
| 0.813 | 1.375 | 1.381 | 0.252 | 450204 | 450 | S |
| 0.813 | 1.375 | 1.381 | 0.252 | 471231 | 470 | S |
| 0.813 | 1.499 | 1.505 | 0.250 | 450030 | 450 | S |
| 0.813 | 1.499 | 1.505 | 0.250 | 470592 | 470 | S |
| 0.813 | 2.441 | 2.447 | 0.313 | 472950 | 470 | S |
| 0.827" 21mm | | | | | | |
| 0.827 21 | 1.378 35 | 1.386 35.20 | 0.276 7 | ◆213507XX | 320 | S |
| 0.827 21 | 1.378 35 | 1.386 35.20 | 0.315 8 | ◆213508XX | 320 | S |
| 0.843" | | | | | | |
| 0.843 | 1.374 | 1.378 | 0.312 | 472452 | 470 | S |
| 0.843 | 1.499 | 1.503 | 0.250 | 473413 | 470 | S |
| 0.843 | 1.624 | 1.628 | 0.250 | 473414 | 470 | S |
| 0.843 | 1.828 | 1.832 | 0.312 | 473415 | 470 | S |
| 0.860" | | | | | | |
| 0.860 | 1.437 | 1.441 | 0.250 | 482069N | 480 | N |
| 0.866" 22mm | | | | | | |
| 0.866 22 | 1.260 32 | 1.269 32.23 | 0.276 7 | ◆222210 | 350 | S |
| 0.866 22 | 1.260 32 | 1.269 32.23 | 0.276 7 | ◆223207XX | 350 | S |
| 0.866 22 | 1.378 35 | 1.387 35.23 | 0.276 7 | ◆222220 | 320 | S |
| 0.866 22 | 1.378 35 | 1.387 35.23 | 0.276 7 | ◆223507XX | 350 | S |

| Shaft | Bore | O.D. | Width | Part Number | Style | Matl |
|--------------------|-------------|----------------|-------------|-------------|-------|------|
| 0.866 22 | 1.417 36 | 1.425 36.20 | 0.276 7 | ◆223607XX | 320 | S |
| 0.866 22 | 1.457 37 | 1.466 37.23 | 0.276 7 | ◆223707XX | 350 | S |
| 0.866 22 | 1.496 38 | 1.504 38.20 | 0.276 7 | ◆223807XX | 350 | S |
| 0.866 22 | 1.496 38 | 1.504 38.20 | 0.315 8 | ◆222238 | 320 | S |
| 0.866 22 | 1.496 38 | 1.504 38.20 | 0.315 8 | ◆223808XX | 320 | S |
| 0.866 22 | 1.575 40 | 1.581 40.16 | 0.276 7 | ◆1963 | 350 | N |
| 0.866 22 | 1.575 40 | 1.584 40.23 | 0.276 7 | ◆222240 | 350 | S |
| 0.866 22 | 1.575 40 | 1.584 40.23 | 0.276 7 | ◆224007XX | 350 | S |
| 0.866 22 | 1.575 40 | 1.583 40.20 | 0.315 8 | ◆224008XX | 350 | S |
| 0.866 22 | 1.575 40 | 1.584 40.23 | 0.354 9 | ◆222242 | 320 | N |
| 0.866 22 | 1.654 42 | 1.661 42.20 | 0.276 7 | ◆224207XX | 320 | S |
| 0.866 22 | 1.654 42 | 1.661 42.20 | 0.394 10 | ◆224210XX | 350 | S |
| 0.866 22 | 1.772 45 | 1.781 45.23 | 0.276 7 | ◆224507XX | 350 | S |
| 0.866 22 | 1.772 45 | 1.781 45.24 | 0.315 8 | ◆222267← | 320 | H |
| 0.866 22 | 1.850 47 | 1.859 47.23 | 0.276 7 | ◆224707XX | 350 | S |
| 0.874" 7/8" | | | | | | |
| 0.874 | 1.125 | 1.131 | 0.125 | 240733 | 240 | S |
| 0.874 | 1.250 | 1.259 | 0.251 | 340483 | 340 | S |
| 0.875" 7/8" | | | | | | |
| 0.875 | 1.187 | 1.196 | 0.188 | 340850 | 340 | S |
| 0.875 | 1.245 | 1.256 | 0.187 | 5976S | 340 | S |
| 0.875 | 1.250 | 1.256 | 0.181 | 7840S | 310 | S |
| 0.875 | 1.250 | 1.256 | 0.189 | 254287 | 250 | S |
| 0.875 | 1.250 | 1.254 | 0.250 | 42280S | 40S | S |
| 0.875 | 1.255 | 1.261 | 0.181 | 7014S | 40S | S |
| 0.875 | 1.308 | 1.317 | 0.250 | 340413 | 340 | S |
| 0.875 | 1.308 | 1.317 | 0.250 | 353132 | 350 | S |
| 0.875 | 1.375 | 1.379 | 0.187 | 440131 | 440 | S |
| 0.875 | 1.375 | 1.381 | 0.250 | 321267 | 320 | S |
| 0.875 | 1.375 | 1.381 | 0.250 | 41267S | 40S | S |
| 0.875 | 1.375 | 1.379 | 0.250 | 712015 | # | V |
| 0.875 | 1.375 | 1.384 | 0.252 | 350567 | 350 | S |
| 0.875 | 1.375 | 1.384 | 0.252 | 351267 | 350 | S |
| 0.875 | 1.375 | 1.381 | 0.252 | 470398 | 470 | S |
| 0.875 | 1.375 | 1.381 | 0.252 | 470567 | 470 | S |
| 0.875 | 1.375 | 1.381 | 0.252 | 470567N | 470 | N |
| 0.875 | 1.375 | 1.381 | 0.252 | 471267 | 470 | S |

| Shaft | Bore | O.D. | Width | Part Number | Style | Matl |
|-----------------------------|-------|-------|-------|-------------|-------|------|
| 0.875 | 1.375 | 1.381 | 0.252 | 471267A | 470 | A |
| 0.875 | 1.375 | 1.381 | 0.252 | 471267T | 470 | T |
| 0.875 | 1.375 | 1.381 | 0.252 | 471267V | 470 | V |
| 0.875 | 1.375 | 1.379 | 0.312 | 38832 | 940 | T |
| 0.875 | 1.436 | 1.441 | 0.256 | 712270 | 480 | S |
| 0.875 | 1.499 | 1.503 | 0.250 | 471570 | 470 | S |
| 0.875 | 1.499 | 1.503 | 0.250 | 471570V | 470 | V |
| 0.875 | 1.499 | 1.505 | 0.252 | 40059S | 40S | S |
| 0.875 | 1.500 | 1.506 | 0.311 | 470032 | 470 | S |
| 0.875 | 1.500 | 1.506 | 0.311 | 470680 | 470 | S |
| 0.875 | 1.500 | 1.506 | 0.313 | 450032 | 450 | S |
| 0.875 | 1.500 | 1.506 | 0.313 | 450680 | 450 | S |
| 0.875 | 1.575 | 1.581 | 0.250 | 350877 | 350 | S |
| 0.875 | 1.577 | 1.581 | 0.250 | 471633 | 470 | S |
| 0.875 | 1.624 | 1.634 | 0.187 | 240215 | 240 | S |
| 0.875 | 1.624 | 1.630 | 0.250 | 351646 | 350 | S |
| 0.875 | 1.624 | 1.630 | 0.252 | 470215 | 470 | S |
| 0.875 | 1.624 | 1.630 | 0.252 | 471646 | 470 | S |
| 0.875 | 1.752 | 1.758 | 0.252 | 470590 | 470 | S |
| 0.875 | 1.828 | 1.833 | 0.252 | 471137 | 470 | S |
| 0.875 | 1.875 | 1.881 | 0.252 | 471730 | 470 | S |
| 0.875 | 2.000 | 2.004 | 0.437 | 450645 | 450 | S |
| 0.875 | 2.000 | 2.004 | 0.437 | 470645 | 470 | S |
| 0.905" | | | | | | |
| 0.905 | 1.260 | 1.268 | 0.197 | 222310 | 340 | S |
| 0.906" 23mm | | | | | | |
| 0.906 | 1.252 | 1.261 | 0.217 | ◆710254 | 340 | S |
| 23 | 31.80 | 32.03 | 5.50 | | | |
| 0.906 | 1.339 | 1.348 | 0.315 | ◆222330← | 320 | N |
| 23 | 34 | 34.24 | 8 | | | |
| 0.906 | 1.499 | 1.503 | 0.390 | 470207 | 470 | S |
| 0.906 | 1.828 | 1.832 | 0.437 | 450038 | 450 | S |
| 0.937" 15/16" | | | | | | |
| 0.937 | 1.375 | 1.383 | 0.250 | 340787 | 340 | S |
| 0.937 | 1.375 | 1.381 | 0.252 | 471015 | 470 | S |
| 0.937 | 1.499 | 1.503 | 0.250 | 471571 | 470 | S |
| 0.937 | 1.499 | 1.503 | 0.250 | 471571V | 470 | V |
| 0.937 | 1.499 | 1.503 | 0.250 | 481571V | 480 | V |
| 0.937 | 1.624 | 1.628 | 0.250 | 471647 | 470 | S |
| 0.937 | 1.750 | 1.756 | 0.311 | 472951 | 470 | S |
| 0.937 | 1.752 | 1.756 | 0.250 | 474252 | 470 | S |
| 0.937 | 1.828 | 1.832 | 0.437 | 470039 | 470 | S |
| 0.938" 15/16" | | | | | | |
| 0.938 | 1.828 | 1.834 | 0.438 | 450039 | 450 | S |

| Shaft | Bore | O.D. | Width | Part Number | Style | Matl |
|---------------------------|-------|-------|-------|-------------|-------|------|
| 0.945" 24mm | | | | | | |
| 0.945 | 1.378 | 1.387 | 0.276 | ◆222410 | 350 | S |
| 24 | 35 | 35.23 | 7 | | | |
| 0.945 | 1.378 | 1.387 | 0.276 | ◆243507XX | 350 | S |
| 24 | 35 | 35.23 | 7 | | | |
| 0.945 | 1.457 | 1.466 | 0.276 | ◆243707XX | 350 | S |
| 24 | 37 | 37.23 | 7 | | | |
| 0.945 | 1.496 | 1.504 | 0.276 | ◆243807XX | 320 | S |
| 24 | 38 | 38.20 | 7 | | | |
| 0.945 | 1.575 | 1.584 | 0.276 | ◆222430 | 350 | S |
| 24 | 40 | 40.23 | 7 | | | |
| 0.945 | 1.575 | 1.584 | 0.276 | ◆244007XX | 350 | S |
| 24 | 40 | 40.23 | 7 | | | |
| 0.945 | 1.645 | 1.661 | 0.276 | ◆244207XX | 320 | S |
| 24 | 42 | 42.20 | 7 | | | |
| 0.945 | 1.654 | 1.663 | 0.394 | ◆244210XX | 320 | S |
| 24 | 42 | 42.25 | 10 | | | |
| 0.945 | 1.693 | 1.702 | 0.315 | 222450 | 250 | S |
| 0.945 | 1.850 | 1.859 | 0.276 | ◆244707XX | 350 | S |
| 24 | 47 | 47.23 | 7 | | | |
| 0.945 | 2.047 | 2.055 | 0.276 | ◆245207XX | 320 | S |
| 24 | 52 | 52.20 | 7 | | | |
| 0.968" | | | | | | |
| 0.968 | 1.499 | 1.503 | 0.250 | 40208 | 40S | S |
| 0.968 | 1.499 | 1.503 | 0.312 | 451583 | 450 | S |
| 0.968 | 1.575 | 1.579 | 0.375 | 450545 | 450 | S |
| 0.968 | 1.624 | 1.628 | 0.250 | 471648 | 470 | S |
| 0.968 | 1.686 | 1.690 | 0.312 | 8059S | 250 | S |
| 0.968 | 1.752 | 1.756 | 0.250 | 471688 | 470 | S |
| 0.968 | 1.850 | 1.854 | 0.375 | 482309 | 480 | S |
| 0.968 | 1.874 | 1.878 | 0.437 | 451082 | 450 | S |
| 0.968 | 2.048 | 2.052 | 0.375 | 482310 | 480 | S |
| 0.968 | 2.062 | 2.066 | 0.437 | 450339 | 450 | S |
| 0.968 | 2.440 | 2.445 | 0.375 | 472238 | 470 | S |
| 0.980" | | | | | | |
| 0.980 | 1.500 | 1.506 | 0.252 | 472324 | 470 | S |
| 0.984" | | | | | | |
| 25 | 35 | 35.20 | 6 | | | |
| 0.984 | 1.378 | 1.383 | 0.276 | ◆222510 | 350 | S |
| 25 | 35 | 35.13 | 7 | | | |
| 0.984 | 1.378 | 1.388 | 0.276 | ◆253506XX | 320 | S |
| 25 | 35 | 35.25 | 7 | | | |
| 0.984 | 1.378 | 1.388 | 0.276 | ◆712007 | 480 | V |
| 25 | 35 | 35.25 | 7 | | | |
| 0.984 | 1.417 | 1.426 | 0.276 | ◆253607XX | 320 | S |
| 25 | 36 | 36.23 | 7 | | | |
| 0.984 | 1.417 | 1.426 | 0.315 | ◆253608XX | 350 | S |
| 25 | 36 | 36.22 | 8 | | | |

| Shaft | Bore | O.D. | Width | Part Number | Style | Matl | Shaft | Bore | O.D. | Width | Part Number | Style | Matl | |
|--------------------|-------------|----------------|-------------|-------------|-------|------|------------------|-------|-------|-------|-------------|-------|------|--|
| 0.984 25 | 1.457 37 | 1.465 37.20 | 0.276 7 | ◆253707XX | 320 | S | 1.000" 1" | | | | | | | |
| 0.984 25 | 1.496 38 | 1.505 38.23 | 0.276 7 | ◆222535→ | 320 | S | 1.000 | 1.247 | 1.253 | 0.187 | 343098 | 340 | S | |
| 0.984 25 | 1.496 38 | 1.505 38.23 | 0.276 7 | ◆253807XX | 350 | S | 1.000 | 1.250 | 1.256 | 0.126 | 240731 | 240 | S | |
| 0.984 | 1.499 | 1.504 | 0.250 | 4458V | # | V | 1.000 | 1.250 | 1.254 | 0.536 | 6847S | # | S | |
| 0.980 | 1.500 | 1.506 | 0.252 | 472324A | 470 | A | 1.000 | 1.312 | 1.318 | 0.126 | 342517 | 340 | S | |
| 0.980 | 1.500 | 1.506 | 0.252 | 472324V | 470 | V | 1.000 | 1.375 | 1.381 | 0.189 | 2064 | 330 | S | |
| 0.984 | 1.500 | 1.508 | 0.410 | 6522S | 340 | S | 1.000 | 1.375 | 1.381 | 0.189 | 441130 | 440 | S | |
| 0.984 25 | 1.575 40 | 1.584 40.23 | 0.276 7 | ◆222540 | 470 | S | 1.000 | 1.375 | 1.379 | 0.250 | 712026 | # | S | |
| 0.984 25 | 1.575 40 | 1.583 40.22 | 0.276 7 | ◆254007XX | 350 | S | 1.000 | 1.375 | 1.381 | 0.252 | 252277 | 250 | S | |
| 0.984 25 | 1.575 40 | 1.583 40.22 | 0.276 7 | ◆254007XX | 350 | S | 1.000 | 1.437 | 1.447 | 0.187 | 240414 | 240 | S | |
| 0.984 | 1.575 | 1.583 | 0.276 | 710307 | 320 | N | 1.000 | 1.437 | 1.441 | 0.250 | 39910 | TW | T | |
| 0.984 25 | 1.575 40 | 1.584 40.23 | 0.315 8 | ◆710316→ | 320 | S | 1.000 | 1.437 | 1.441 | 0.250 | 472311 | 470 | S | |
| 0.984 | 1.596 | 1.600 | 0.250 | 712018 | # | S | 1.000 | 1.437 | 1.441 | 0.250 | 472311V | 470 | V | |
| 0.984 | 1.614 | 1.618 | 0.315 | 39867 | TW-H | T | 1.000 | 1.437 | 1.443 | 0.252 | 350414 | 350 | S | |
| 0.984 25 | 1.654 42 | 1.661 42.20 | 0.236 6 | ◆254206XX | 350 | S | 1.000 | 1.438 | 1.444 | 0.250 | 42311S | 40S | S | |
| 0.984 | 1.654 | 1.665 | 0.315 | 222556→ | 320 | H | 1.000 | 1.499 | 1.503 | 0.250 | 41224S | 40S | S | |
| 0.984 25 | 1.654 42 | 1.661 42.20 | 0.315 8 | ◆254208XX | 320 | S | 1.000 | 1.499 | 1.503 | 0.250 | 481224V | 480 | V | |
| 0.984 25 | 1.654 42 | 1.665 42.28 | 0.394 10 | ◆254210XX | 350 | S | 1.000 | 1.499 | 1.503 | 0.250 | 712016 | # | S | |
| 0.984 | 1.752 | 1.756 | 0.313 | 712012 | # | V | 1.000 | 1.499 | 1.505 | 0.252 | 471224 | 470 | S | |
| 0.984 25 | 1.772 45 | 1.781 45.23 | 0.315 8 | ◆254508XX | 350 | S | 1.000 | 1.499 | 1.505 | 0.252 | 471224A | 470 | A | |
| 0.984 25 | 1.811 46 | 1.819 46.20 | 0.276 7 | ◆254607XX | 320 | S | 1.000 | 1.499 | 1.505 | 0.252 | 471224V | 470 | V | |
| 0.984 | 1.828 | 1.838 | 0.187 | 240457 | 240 | S | 1.000 | 1.499 | 1.503 | 0.312 | 5857 | 290 | F | |
| 0.984 | 1.828 | 1.832 | 0.437 | 450457 | 450 | S | 1.000 | 1.499 | 1.503 | 0.390 | 450120 | 450 | S | |
| 0.984 25 | 1.850 47 | 1.859 47.22 | 0.276 7 | ◆222560 | 350 | S | 1.000 | 1.500 | 1.509 | 0.252 | 340120 | 340 | S | |
| 0.984 25 | 1.850 47 | 1.859 47.23 | 0.276 7 | ◆254707XX | 350 | S | 1.000 | 1.500 | 1.509 | 0.311 | 350909 | 350 | S | |
| 0.984 25 | 1.890 48 | 1.898 48.20 | 0.315 8 | ◆254808XX | 320 | S | 1.000 | 1.500 | 1.506 | 0.311 | 450553 | 450 | S | |
| 0.984 25 | 1.969 50 | 1.980 50.28 | 0.394 10 | ◆255010XX | 350 | S | 1.000 | 1.500 | 1.506 | 0.311 | 470120 | 470 | S | |
| 0.984 25 | 2.047 52 | 2.058 52.27 | 0.276 7 | ◆255207XX | 350 | S | 1.000 | 1.500 | 1.506 | 0.311 | 470553 | 470 | S | |
| 0.984 25 | 2.047 52 | 2.055 52.20 | 0.315 8 | ◆255208XX | 350 | S | 1.000 | 1.561 | 1.565 | 0.250 | 471270 | 470 | S | |
| 0.984 25 | 2.047 52 | 2.055 52.20 | 0.394 10 | ◆255210XX | 350 | S | 1.000 | 1.563 | 1.569 | 0.187 | 343123 | 340 | S | |
| 0.984 25 | 2.062 62 | 2.066 62.28 | 0.437 10 | 450693 | 450 | S | 1.000 | 1.575 | 1.579 | 0.250 | 473380 | 470 | S | |
| 0.984 25 | 2.441 62 | 2.452 62.28 | 0.394 10 | ◆222580 | 320 | S | 1.000 | 1.624 | 1.630 | 0.250 | 471649 | 470 | S | |
| 0.984 25 | 2.441 62 | 2.452 62.28 | 0.394 10 | ◆256210XX | 320 | S | 1.000 | 1.624 | 1.630 | 0.250 | 471649A | 470 | A | |
| 0.987" | | | | | | | 1.000 | 1.624 | 1.630 | 0.311 | 470553 | 470 | S | |
| 0.987 | 1.282 | 1.288 | 0.438 | 450040 | 450 | S | 1.000 | 1.624 | 1.630 | 0.250 | 471649V | 470 | V | |
| | | | | | | | 1.000 | 1.624 | 1.630 | 0.311 | 470219 | 470 | S | |
| | | | | | | | 1.000 | 1.624 | 1.630 | 0.375 | 450219 | 450 | S | |
| | | | | | | | 1.000 | 1.686 | 1.692 | 0.250 | 474250 | 470 | S | |
| | | | | | | | 1.000 | 1.689 | 1.695 | 0.252 | 471465 | 470 | S | |
| | | | | | | | 1.000 | 1.752 | 1.756 | 0.250 | 40230S | 40S | S | |
| | | | | | | | 1.000 | 1.752 | 1.758 | 0.252 | 470230 | 470 | S | |
| | | | | | | | 1.000 | 1.752 | 1.758 | 0.252 | 470541 | 470 | S | |
| | | | | | | | 1.000 | 1.752 | 1.758 | 0.252 | 471689 | 470 | S | |
| | | | | | | | 1.000 | 1.752 | 1.758 | 0.252 | 471689A | 470 | A | |
| | | | | | | | 1.000 | 1.752 | 1.758 | 0.252 | 471689V | 470 | V | |
| | | | | | | | 1.000 | 1.752 | 1.756 | 0.313 | 712013 | # | S | |
| | | | | | | | 1.000 | 1.780 | 1.785 | 0.468 | 203005 | 2030 | S | |
| | | | | | | | 1.000 | 1.780 | 1.785 | 0.468 | 203005S | 203 | S | |

| Shaft | Bore | O.D. | Width | Part Number | Style | Matl |
|---------------|-------|-------|-------------|-------------|-------|------|
| 1.000 | 1.780 | 1.785 | 0.468 | 205005 | 2050 | F |
| 1.000 | 1.781 | 1.787 | 0.469 | 204005 | 2040 | S |
| 1.000 | 1.781 | 1.787 | 0.469 | 204005S | 2040 | S |
| <hr/> | | | | | | |
| 1.000 | 1.828 | 1.834 | 0.295 | 450593 | 450 | S |
| 1.000 | 1.828 | 1.832 | 0.296 | 470593 | 470 | S |
| 1.000 | 1.828 | 1.832 | 0.437 | 470041 | 470 | S |
| 1.000 | 1.874 | 1.880 | 0.252 | 471733 | 470 | S |
| 1.000 | 1.936 | 1.948 | 0.187 | 240462 | 240 | S |
| <hr/> | | | | | | |
| 1.000 | 1.983 | 1.987 | 0.250 | 471744 | 470 | S |
| 1.000 | 2.000 | 2.011 | 0.252 | 40157S | 40S | S |
| 1.000 | 2.000 | 2.006 | 0.252 | 471760 | 470 | S |
| 1.000 | 2.000 | 2.006 | 0.252 | 471760A | 470 | A |
| 1.000 | 2.000 | 2.006 | 0.252 | 471760V | 470 | V |
| <hr/> | | | | | | |
| 1.000 | 2.047 | 2.051 | 0.312 | 472138 | 470 | S |
| 1.000 | 2.062 | 2.066 | 0.250 | 471619 | 470 | S |
| 1.000 | 2.062 | 2.066 | 0.375 | 453165 | 450 | S |
| 1.000 | 2.441 | 2.447 | 0.375 | 321516 | 320 | S |
| 1.000 | 2.441 | 2.445 | 0.375 | 471516 | 470 | S |
| <hr/> | | | | | | |
| 1.000 | 2.533 | 2.537 | 0.250 | 472539 | 470 | S |
| <hr/> | | | | | | |
| 1.004" | | | 1" | | | |
| 1.004 | 1.516 | 1.525 | 0.335 | 710303 | 350 | S |
| <hr/> | | | | | | |
| 1.024" | | | 26mm | | | |
| 1.024 | 1.457 | 1.465 | 0.276 | ◆263707XX | 320 | S |
| 26 | 37 | 37.20 | 7 | | | |
| 1.024 | 1.496 | 1.504 | 0.197 | ◆263805XX | 320 | S |
| 26 | 38 | 38.20 | 5 | | | |
| 1.024 | 1.496 | 1.504 | 0.315 | 222630 | 320 | N |
| 1.024 | 1.575 | 1.583 | 0.276 | ◆264007XX | 320 | S |
| 26 | 40 | 40.20 | 7 | | | |
| 1.024 | 1.654 | 1.661 | 0.276 | ◆264207XX | 320 | S |
| 26 | 42 | 42.20 | 7 | | | |
| <hr/> | | | | | | |
| 1.024 | 1.654 | 1.659 | 0.315 | ◆223606 | 480 | S |
| 26 | 42 | 42.14 | 8 | | | |
| 1.024 | 1.654 | 1.661 | 0.315 | 710399→ | 320 | S |
| 1.024 | 1.654 | 1.663 | 0.394 | ◆264210XX | 350 | S |
| 26 | 42 | 42.23 | 10 | | | |
| 1.024 | 1.732 | 1.740 | 0.315 | 710153 | # | S |
| 1.024 | 1.850 | 1.859 | 0.276 | ◆264707XX | 350 | S |
| 26 | 47 | 47.23 | 7 | | | |
| <hr/> | | | | | | |
| 1.024 | 1.890 | 1.899 | 0.276 | ◆222655→ | 320 | S |
| 26 | 48 | 48.24 | 7 | | | |
| 1.024 | 1.890 | 1.899 | 0.276 | ◆264807XX | 320 | S |
| 26 | 48 | 48.23 | 7 | | | |
| 1.024 | 2.047 | 2.055 | 0.315 | ◆265208XX | 320 | S |
| 26 | 52 | 52.20 | 8 | | | |
| <hr/> | | | | | | |
| 1.031" | | | | | | |
| 1.031 | 1.499 | 1.503 | 0.390 | 50209 | 50S | S |
| 1.031 | 1.575 | 1.584 | 0.311 | 471076 | 470 | S |

| Shaft | Bore | O.D. | Width | Part Number | Style | Matl | |
|---------------|-------|-------|----------------|-------------|-------|------|-------------|
| 1.031 | 1.575 | 1.584 | 0.311 | 471076V | 470 | V | |
| 1.031 | 1.624 | 1.628 | 0.250 | 481650 | 480 | S | |
| <hr/> | | | | | | | |
| 1.047" | | | | | | | |
| 1.047 | 1.811 | 1.815 | 0.285 | 710053 | 480 | S | |
| <hr/> | | | | | | | |
| 1.055" | | | | | | | |
| 1.055 | 1.499 | 1.500 | 0.268 | 480210 | 480 | S | |
| <hr/> | | | | | | | |
| 1.062" | | | 1 1/16" | | | | |
| 1.062 | 1.499 | 1.507 | 0.250 | 340210 | 340 | S | |
| 1.062 | 1.575 | 1.581 | 0.250 | 3732S | 480 | S | |
| 1.062 | 1.624 | 1.633 | 0.251 | 471651 | 470 | S | |
| 1.062 | 1.752 | 1.756 | 0.312 | 471705 | 470 | S | |
| 1.062 | 1.828 | 1.832 | 0.375 | 473419 | 470 | S | |
| <hr/> | | | | | | | |
| 1.062 | 1.874 | 1.878 | 0.250 | 471735 | 470 | S | |
| 1.062 | 1.983 | 1.987 | 0.437 | 450342 | 450 | S | |
| 1.062 | 1.983 | 1.987 | 0.437 | 470342 | 470 | S | |
| 1.062 | 2.000 | 2.004 | 0.375 | 471772 | 470 | S | |
| 1.062 | 2.062 | 2.066 | 0.375 | 473420 | 470 | S | |
| <hr/> | | | | | | | |
| 1.063 | 2.835 | 2.841 | 0.374 | 472953V | 470 | V | |
| <hr/> | | | | | | | |
| 1.063" | | | 1 1/16" | | | | 27mm |
| 1.063 | 1.457 | 1.463 | 0.276 | ◆273707XX | 350 | S | |
| 27 | 37 | 37.15 | 7 | | | | |
| 1.063 | 1.561 | 1.567 | 0.250 | 450188 | 450 | S | |
| 1.063 | 1.575 | 1.583 | 0.315 | 712009 | 320 | V | |
| 1.063 | 1.654 | 1.657 | 0.276 | 222742 | 480 | V | |
| 1.063 | 1.654 | 1.663 | 0.394 | ◆274210XX | 350 | S | |
| 27 | 42 | 42.23 | 10 | | | | |
| <hr/> | | | | | | | |
| 1.063 | 1.686 | 1.691 | 0.313 | 470606 | 470 | S | |
| 1.063 | 1.693 | 1.702 | 0.276 | ◆710157→ | 320 | S | |
| 27 | 43 | 43.23 | 7 | | | | |
| 1.063 | 1.693 | 1.701 | 0.315 | ◆274308XX | 320 | S | |
| 27 | 43 | 43.20 | 8 | | | | |
| 1.063 | 1.693 | 1.702 | 0.354 | ◆1990→ | 320 | N | |
| 27 | 43 | 43.23 | 9 | | | | |
| 1.063 | 1.693 | 1.701 | 0.354 | ◆222743← | 320 | H | |
| 27 | 43 | 43.20 | 9 | | | | |
| <hr/> | | | | | | | |
| 1.063 | 1.772 | 1.781 | 0.315 | ◆274508XX | 350 | S | |
| 27 | 45 | 45.25 | 8 | | | | |
| 1.063 | 1.772 | 1.781 | 0.354 | ◆222745← | 320 | N | |
| 27 | 45 | 45.24 | 9 | | | | |
| 1.063 | 1.828 | 1.834 | 0.250 | 450043 | 450 | S | |
| 1.063 | 1.850 | 1.859 | 0.394 | ◆274710XX | 350 | S | |
| 27 | 47 | 47.23 | 10 | | | | |
| 1.063 | 2.000 | 2.006 | 0.250 | 471762 | 470 | S | |
| <hr/> | | | | | | | |
| 1.063 | 2.047 | 2.055 | 0.315 | ◆275208XX | 350 | S | |
| 27 | 52 | 52.20 | 8 | | | | |
| 1.063 | 2.835 | 2.841 | 0.374 | 472953 | 470 | S | |

| Shaft | Bore | O.D. | Width | Part Number | Style | Matl |
|----------------------|-------|-------|-------|-------------|-------|------|
| 1.093" | | | | | | |
| 1.093 | 1.828 | 1.832 | 0.437 | 450044 | 450 | S |
| 1.093 | 2.000 | 2.004 | 0.437 | 450159 | 450 | S |
| 1.100" | | | | | | |
| 1.100 | 1.572 | 1.578 | 0.308 | 2503→ | 480 | N |
| 1.100 | 1.572 | 1.578 | 0.308 | 2503N→ | 480 | N |
| 1.102" 28mm | | | | | | |
| 1.102 | 1.496 | 1.505 | 0.276 | ◆283807XX | 350 | S |
| 28 | 38 | 38.23 | 7 | | | |
| 1.102 | 1.496 | 1.506 | 0.276 | 712104→ | TPDW | T |
| 1.102 | 1.496 | 1.505 | 0.394 | ◆710347← | 320 | S |
| 28 | 38 | 38.23 | 10 | | | |
| 1.102 | 1.575 | 1.584 | 0.276 | ◆222820 | 330 | S |
| 28 | 40 | 40.23 | 7 | | | |
| 1.102 | 1.575 | 1.585 | 0.276 | ◆284007XX | 350 | S |
| 28 | 40 | 40.26 | 7 | | | |
| 1.102 | 1.575 | 1.583 | 0.315 | ◆284008XX | 320 | S |
| 28 | 40 | 40.20 | 8 | | | |
| 1.102 | 1.575 | 1.584 | 0.315 | ◆710325→ | 320 | S |
| 28 | 40 | 40.23 | 8 | | | |
| 1.102 | 1.614 | 1.625 | 0.276 | ◆222830 | 320 | N |
| 28 | 41 | 41.27 | 7 | | | |
| 1.102 | 1.614 | 1.618 | 0.315 | 39869 | # | T |
| 1.102 | 1.654 | 1.663 | 0.315 | ◆284208XX | 350 | S |
| 28 | 42 | 42.23 | 8 | | | |
| 1.102 | 1.654 | 1.663 | 0.315 | ◆712008← | 320 | H |
| 28 | 42 | 42.24 | 8 | | | |
| 1.102 | 1.673 | 1.682 | 0.315 | 710216 | 350 | S |
| 1.102 | 1.693 | 1.702 | 0.315 | 710119 | 320 | N |
| 1.102 | 1.732 | 1.741 | 0.236 | ◆222835 | 320 | N |
| 28 | 44 | 44.22 | 6 | | | |
| 1.102 | 1.732 | 1.741 | 0.236 | ◆284406XX | 320 | N |
| 28 | 44 | 44.23 | 6 | | | |
| 1.102 | 1.772 | 1.780 | 0.315 | ◆284508XX | 320 | S |
| 28 | 45 | 45.20 | 8 | | | |
| 1.102 | 1.850 | 1.859 | 0.276 | ◆284707XX | 350 | S |
| 28 | 47 | 47.22 | 7 | | | |
| 1.102 | 1.850 | 1.859 | 0.315 | ◆222860→ | 320 | N |
| 28 | 47 | 47.22 | 8 | | | |
| 1.102 | 1.890 | 1.898 | 0.315 | ◆284808XX | 320 | S |
| 28 | 48 | 48.20 | 8 | | | |
| 1.102 | 2.047 | 2.056 | 0.276 | ◆285207XX | 350 | S |
| 28 | 52 | 52.23 | 7 | | | |
| 1.102 | 2.087 | 2.091 | 0.378 | 710433 | # | S |
| 1.125" 1 1/8" | | | | | | |
| 1.125 | 1.374 | 1.383 | 0.125 | 340835 | 340 | S |
| 1.125 | 1.438 | 1.444 | 0.215 | 313842 | 310 | S |
| 1.125 | 1.500 | 1.504 | 0.250 | 1037 | 350 | S |
| 1.125 | 1.500 | 1.509 | 0.250 | 340815 | 340 | S |

| Shaft | Bore | O.D. | Width | Part Number | Style | Matl |
|-------|-------|-------|-------|-------------|-------|------|
| 1.125 | 1.502 | 1.506 | 0.250 | 312140 | 310 | S |
| 1.125 | 1.561 | 1.572 | 0.187 | 240151 | 240 | S |
| 1.125 | 1.561 | 1.567 | 0.250 | 340151 | 340 | S |
| 1.125 | 1.561 | 1.567 | 0.250 | 352560 | 350 | S |
| 1.125 | 1.561 | 1.567 | 0.250 | 472560N | 470 | N |
| 1.125 | 1.561 | 1.567 | 0.250 | 7941 | 440 | S |
| 1.125 | 1.563 | 1.569 | 0.252 | 50151S | 50S | S |
| 1.125 | 1.564 | 1.568 | 0.250 | 43072S | 40S | S |
| 1.125 | 1.624 | 1.628 | 0.190 | 3638→ | 480 | N |
| 1.125 | 1.624 | 1.628 | 0.250 | 481652V | 480 | V |
| 1.125 | 1.624 | 1.630 | 0.252 | 471100 | 470 | S |
| 1.125 | 1.624 | 1.630 | 0.252 | 471652 | 470 | S |
| 1.125 | 1.624 | 1.630 | 0.252 | 471652A | 470 | A |
| 1.125 | 1.624 | 1.630 | 0.252 | 471652V | 470 | V |
| 1.125 | 1.624 | 1.630 | 0.252 | 482208 | 480 | S |
| 1.125 | 1.630 | 1.634 | 0.313 | 710285 | # | S |
| 1.125 | 1.752 | 1.758 | 0.250 | 471692 | 470 | S |
| 1.125 | 1.752 | 1.758 | 0.250 | 471692A | 470 | A |
| 1.125 | 1.752 | 1.758 | 0.313 | 450189 | 450 | S |
| 1.125 | 1.752 | 1.758 | 0.313 | 470189 | 470 | S |
| 1.125 | 1.752 | 1.758 | 0.313 | 470189H | 470 | H |
| 1.125 | 1.780 | 1.785 | 0.250 | 204505 | 2040 | S |
| 1.125 | 1.781 | 1.790 | 0.409 | 323133 | 320 | S |
| 1.125 | 1.781 | 1.787 | 0.469 | 204020 | 2040 | S |
| 1.125 | 1.828 | 1.834 | 0.311 | 450045 | 450 | S |
| 1.125 | 1.828 | 1.832 | 0.312 | 476838 | 470 | S |
| 1.125 | 1.828 | 1.832 | 0.437 | 470045 | 470 | S |
| 1.125 | 1.850 | 1.859 | 0.311 | 350974 | 350 | S |
| 1.125 | 1.874 | 1.880 | 0.250 | 450236 | 450 | S |
| 1.125 | 1.874 | 1.880 | 0.250 | 470712 | 470 | S |
| 1.125 | 1.874 | 1.880 | 0.250 | 470712A | 470 | A |
| 1.125 | 1.874 | 1.880 | 0.250 | 470712V | 470 | V |
| 1.125 | 1.874 | 1.880 | 0.311 | 470236 | 470 | S |
| 1.125 | 1.874 | 1.878 | 0.625 | 6704 | 10S | S |
| 1.125 | 1.935 | 1.942 | 0.625 | 6832S | 2040 | S |
| 1.125 | 1.937 | 1.942 | 0.562 | 203003 | 2030 | S |
| 1.125 | 1.937 | 1.942 | 0.625 | 205004 | 2050 | F |
| 1.125 | 1.983 | 1.989 | 0.250 | 471747 | 470 | S |
| 1.125 | 1.983 | 1.987 | 0.375 | 472674 | 470 | S |
| 1.125 | 2.000 | 2.004 | 0.250 | 40160S | 40S | S |
| 1.125 | 2.000 | 2.006 | 0.252 | 471763 | 470 | S |
| 1.125 | 2.000 | 2.006 | 0.252 | 471763A | 470 | A |
| 1.125 | 2.000 | 2.006 | 0.252 | 471763V | 470 | V |
| 1.125 | 2.047 | 2.053 | 0.311 | 472644 | 470 | S |
| 1.125 | 2.047 | 2.053 | 0.311 | 472644V | 470 | V |
| 1.125 | 2.062 | 2.066 | 0.250 | 471785 | 470 | S |
| 1.125 | 2.062 | 2.066 | 0.437 | 470241 | 470 | S |
| 1.125 | 2.063 | 2.069 | 0.313 | 450241 | 450 | S |
| 1.125 | 2.125 | 2.129 | 0.250 | 481792 | 480 | S |
| 1.125 | 2.250 | 2.254 | 0.500 | 450604 | 450 | S |

| Shaft | Bore | O.D. | Width | Part Number | Style | Matl | Shaft | Bore | O.D. | Width | Part Number | Style | Matl | |
|-----------------------|-------|-------|-------|-------------|-------|------|-------|-------|-------|-------|-------------|-------|------|--|
| 1.125 | 2.250 | 2.254 | 0.500 | 470604 | 470 | S | 1.181 | 1.654 | 1.663 | 0.276 | ◆1970 | 350 | S | |
| | | | | | | | 30 | 42 | 42.24 | 7 | | | | |
| 1.125 | 2.437 | 2.441 | 0.468 | 450332 | 450 | S | 1.181 | 1.654 | 1.663 | 0.276 | ◆223010→ | 320 | S | |
| 1.125 | 2.441 | 2.445 | 0.250 | 473259 | 470 | S | 30 | 42 | 42.24 | 7 | | | | |
| 1.125 | 2.441 | 2.445 | 0.375 | 472681 | 470 | S | 1.181 | 1.654 | 1.661 | 0.276 | ◆304207XX | 350 | S | |
| 1.125 | 2.441 | 2.445 | 0.375 | 472681V | 470 | V | 30 | 42 | 42.20 | 7 | | | | |
| 1.125 | 2.533 | 2.537 | 0.250 | 472535 | 470 | S | 1.181 | 1.732 | 1.743 | 0.276 | ◆304407XX | 250 | S | |
| | | | | | | | 30 | 44 | 44.28 | 7 | | | | |
| 1.125 | 2.835 | 2.841 | 0.374 | 472954 | 470 | S | 1.181 | 1.732 | 1.741 | 0.354 | ◆223012→ | 320 | N | |
| 1.125 | 2.835 | 2.841 | 0.374 | 472954V | 470 | V | 30 | 44 | 44.22 | 9 | | | | |
| 1.125 | 2.875 | 2.879 | 0.468 | 450430 | 450 | S | 1.181 | 1.772 | 1.780 | 0.197 | ◆304505XX | 320 | S | |
| | | | | | | | 30 | 45 | 45.22 | 5 | | | | |
| 1.126" 1 1/8" | | | | | | | 1.181 | 1.772 | 1.781 | 0.236 | ◆223014 | 320 | S | |
| 1.126 | 1.693 | 1.699 | 0.256 | 1989 | 470 | S | 30 | 45 | 45.24 | 6 | | | | |
| 1.142" 29mm | | | | | | | 1.181 | 1.772 | 1.781 | 0.315 | ◆1981→ | 350 | N | |
| 1.142 | 1.772 | 1.781 | 0.315 | ◆320595← | 320 | S | 30 | 45 | 45.24 | 8 | | | | |
| 29 | 45 | 45.24 | 8 | | | | 1.181 | 1.772 | 1.780 | 0.315 | ◆304508XX | 320 | S | |
| | | | | | | | 30 | 45 | 45.20 | 8 | | | | |
| 1.156" 1 5/32" | | | | | | | 1.181 | 1.772 | 1.780 | 0.315 | ◆710359 | # | S | |
| 1.156 | 1.686 | 1.690 | 0.250 | 474260 | 470 | S | 30 | 45 | 45.20 | 8 | | | | |
| 1.156 | 1.686 | 1.690 | 0.375 | 450502 | 450 | S | 1.181 | 1.772 | 1.780 | 0.591 | ◆2016 | # | S | |
| 1.156 | 1.752 | 1.756 | 0.312 | 471707 | 470 | S | 30 | 45 | 45.20 | 15 | | | | |
| 1.156 | 1.752 | 1.756 | 0.312 | 471707N | 470 | N | 1.181 | 1.811 | 1.820 | 0.276 | ◆223018→ | 320 | S | |
| 1.156 | 1.828 | 1.832 | 0.437 | 450482 | 450 | S | 30 | 46 | 46.23 | 7 | | | | |
| | | | | | | | 1.181 | 1.811 | 1.819 | 0.276 | ◆304607XX | 320 | S | |
| 1.156 | 1.874 | 1.878 | 0.250 | 471736 | 470 | S | 30 | 46 | 46.20 | 7 | | | | |
| 1.156 | 1.984 | 1.988 | 0.250 | 473428 | 470 | S | 1.181 | 1.811 | 1.820 | 0.315 | ◆712001→ | 320 | N | |
| 1.156 | 2.000 | 2.006 | 0.311 | 450161 | 450 | S | 30 | 46 | 46.23 | 8 | | | | |
| 1.156 | 2.062 | 2.068 | 0.374 | 473427 | 470 | S | 1.181 | 1.850 | 1.859 | 0.276 | ◆223020 | 350 | S | |
| 1.156 | 2.125 | 2.129 | 0.437 | 450362 | 450 | S | 30 | 47 | 47.22 | 7 | | | | |
| | | | | | | | 1.181 | 1.850 | 1.860 | 0.276 | ◆304707XX | 350 | S | |
| 1.156 | 2.125 | 2.129 | 0.437 | 470362 | 470 | S | 30 | 47 | 47.25 | 7 | | | | |
| 1.156 | 2.834 | 2.839 | 0.375 | 472239 | 470 | S | 1.181 | 1.890 | 1.901 | 0.315 | ◆304808XX | 350 | S | |
| 1.175" | | | | | | | 30 | 48 | 48.28 | 8 | | | | |
| 1.175 | 1.771 | 1.775 | 0.275 | 483488→ | 480 | S | 1.181 | 1.890 | 1.899 | 0.315 | ◆714619 | 350 | S | |
| 1.175 | 1.828 | 1.832 | 0.312 | 483054N | 480 | N | 30 | 48 | 48.24 | 8 | | | | |
| 1.178" | | | | | | | 1.181 | 1.969 | 1.978 | 0.276 | ◆305007XX | 350 | S | |
| 1.178 | 2.447 | 2.452 | 0.500 | 4813V→ | 860 | V | 30 | 50 | 50.23 | 7 | | | | |
| 1.181" | | | | | | | 1.181 | 1.969 | 1.976 | 0.315 | ◆305008XX | 480 | S | |
| 1.181 | 1.457 | 1.461 | 0.138 | 710401 | # | S | 30 | 50 | 50.20 | 8 | | | | |
| 1.181 | 1.575 | 1.584 | 0.276 | ◆1129 | 350 | S | 1.181 | 1.969 | 1.978 | 0.354 | ◆223050← | 320 | S | |
| 30 | 40 | 40.23 | 7 | | | | 30 | 50 | 50.24 | 9 | | | | |
| 1.181 | 1.575 | 1.584 | 0.276 | ◆223005 | 480 | S | 1.181 | 2.047 | 2.058 | 0.276 | ◆223035 | 350 | S | |
| 30 | 40 | 40.23 | 7 | | | | 30 | 52 | 52.27 | 7 | | | | |
| 1.181 | 1.575 | 1.584 | 0.276 | ◆304007XX | 350 | S | 1.181 | 2.047 | 2.056 | 0.276 | ◆305207XX | 350 | S | |
| 30 | 40 | 40.23 | 7 | | | | 30 | 52 | 52.23 | 7 | | | | |
| | | | | | | | 1.181 | 2.126 | 2.134 | 0.354 | 710267 | 320 | S | |
| | | | | | | | 1.181 | 2.165 | 2.176 | 0.394 | ◆305510XX | 350 | S | |
| | | | | | | | 30 | 55 | 55.28 | 10 | | | | |
| | | | | | | | 1.181 | 2.205 | 2.213 | 0.315 | ◆305608XX | 350 | S | |
| | | | | | | | 30 | 56 | 56.20 | 8 | | | | |
| | | | | | | | 1.181 | 2.283 | 2.287 | 0.374 | ◆3907 | 570 | N | |
| | | | | | | | 30 | 58 | 58.09 | 9.50 | | | | |
| | | | | | | | 1.181 | 2.441 | 2.452 | 0.276 | ◆306207XX | 350 | S | |
| | | | | | | | 30 | 62 | 62.28 | 7 | | | | |
| | | | | | | | 1.181 | 2.835 | 2.845 | 0.394 | ◆307210XX | 350 | S | |
| | | | | | | | 30 | 72 | 72.27 | 10 | | | | |

| Shaft | Bore | O.D. | Width | Part Number | Style | Matl |
|---------------|-------|----------------|-------|-------------|-------|------|
| 1.187" | | 1 3/16" | | | | |
| 1.187 | 1.627 | 1.635 | 0.250 | 340817 | 340 | S |
| 1.187 | 1.686 | 1.690 | 0.375 | 470328 | 470 | S |
| 1.187 | 1.716 | 1.720 | 0.248 | 9487 | 680 | S |
| 1.187 | 1.752 | 1.758 | 0.252 | 473203 | 470 | S |
| 1.187 | 1.828 | 1.832 | 0.375 | 473425 | 470 | S |
| 1.187 | 1.874 | 1.880 | 0.252 | 472475 | 470 | S |
| 1.187 | 1.983 | 1.987 | 0.375 | 473426 | 470 | S |
| 1.187 | 1.996 | 2.000 | 0.250 | 40576S | 40S | S |
| 1.187 | 2.000 | 2.004 | 0.250 | 40162S | 40S | S |
| 1.187 | 2.000 | 2.006 | 0.252 | 450162 | 450 | S |
| 1.187 | 2.000 | 2.006 | 0.252 | 470162 | 470 | S |
| 1.187 | 2.000 | 2.006 | 0.252 | 471765 | 470 | S |
| 1.187 | 2.047 | 2.051 | 0.250 | 43076S | 40S | S |
| 1.187 | 2.047 | 2.051 | 0.437 | 453063 | 450 | S |
| 1.187 | 2.062 | 2.068 | 0.250 | 471354 | 470 | S |
| 1.187 | 2.125 | 2.131 | 0.250 | 473205 | 470 | S |
| 1.187 | 2.165 | 2.169 | 0.250 | 472350 | 470 | S |
| 1.187 | 2.250 | 2.254 | 0.250 | 474255 | 470 | S |
| 1.187 | 2.250 | 2.254 | 0.500 | 470336 | 470 | S |
| 1.187 | 2.437 | 2.441 | 0.250 | 474254 | 470 | S |
| 1.187 | 2.437 | 2.441 | 0.468 | 470347 | 470 | S |
| 1.187 | 2.441 | 2.445 | 0.250 | 474256 | 470 | S |
| 1.187 | 2.686 | 2.690 | 0.500 | 470946 | 470 | S |
| 1.188" | | 1 3/16" | | | | |
| 1.188 | 2.440 | 2.446 | 0.251 | 472432 | 470 | S |
| 1.189" | | | | | | |
| 1.189 | 1.654 | 1.657 | 0.236 | 710340 | 440 | V |
| 1.190" | | | | | | |
| 1.190 | 1.687 | 1.693 | 0.252 | 481213 | 480 | S |
| 1.192" | | | | | | |
| 1.192 | 2.122 | 2.128 | 0.350 | 710068 | # | S |
| 1.218" | | | | | | |
| 1.218 | 1.968 | 1.972 | 0.468 | 203016 | 2030 | S |
| 1.218 | 1.979 | 1.983 | 0.250 | 441319 | 440 | S |
| 1.218 | 1.983 | 1.987 | 0.437 | 450048 | 450 | S |
| 1.218 | 2.000 | 2.004 | 0.437 | 450173 | 450 | S |
| 1.219" | | | | | | |
| 1.219 | 1.979 | 1.985 | 0.406 | 203025 | 2030 | S |

| Shaft | Bore | O.D. | Width | Part Number | Style | Matl |
|---------------|-------|---------------|-------|-------------|-------|------|
| 1.220" | | | | | | |
| 1.220 | 1.654 | 1.661 | 0.315 | 710172 | 350 | V |
| 1.220 | 1.732 | 1.740 | 0.315 | ◆314408XX | 320 | S |
| 31 | 44 | 44.20 | 8 | | | |
| 1.220 | 1.811 | 1.820 | 0.315 | ◆1121← | 320 | V |
| 31 | 46 | 46.23 | 8 | | | |
| 1.220 | 1.811 | 1.820 | 0.315 | ◆710332← | 320 | N |
| 31 | 46 | 46.23 | 8 | | | |
| 1.238" | | | | | | |
| 1.238 | 2.250 | 2.254 | 0.500 | 8293S | 480 | S |
| 1.247" | | | | | | |
| 1.247 | - | 2.633 | 0.480 | 8429S | # | S |
| 1.250" | | 1 1/4" | | | | |
| 1.250 | 1.250 | 1.838 | 0.187 | 240949 | 240 | S |
| 1.250 | 1.499 | 1.509 | 0.156 | 240736 | 240 | S |
| 1.250 | 1.500 | 1.509 | 0.125 | 343186 | 340 | S |
| 1.250 | 1.625 | 1.634 | 0.188 | 251511 | 250 | S |
| 1.250 | 1.685 | 1.694 | 0.188 | 340356 | 340 | S |
| 1.250 | 1.686 | 1.691 | 0.188 | 240356 | 240 | S |
| 1.250 | 1.686 | 1.692 | 0.219 | 353135 | 350 | S |
| 1.250 | 1.686 | 1.691 | 0.250 | 473135V | 470 | V |
| 1.250 | 1.686 | 1.695 | 0.252 | 322353 | 320 | S |
| 1.250 | 1.687 | 1.696 | 0.313 | 323126 | 320 | S |
| 1.250 | 1.687 | 1.693 | 0.313 | 480356 | 480 | S |
| 1.250 | 1.688 | 1.694 | 0.252 | 474278 | 470 | S |
| 1.250 | 1.750 | 1.754 | 0.250 | 710014 | # | U |
| 1.250 | 1.751 | 1.757 | 0.251 | 470140N | 470 | N |
| 1.250 | 1.752 | 1.756 | 0.250 | 40140S | 40S | S |
| 1.250 | 1.752 | 1.758 | 0.250 | 471413 | 470 | S |
| 1.250 | 1.752 | 1.758 | 0.250 | 471413A | 470 | A |
| 1.250 | 1.752 | 1.758 | 0.250 | 471413V | 470 | V |
| 1.250 | 1.752 | 1.758 | 0.252 | 451709 | 450 | S |
| 1.250 | 1.752 | 1.758 | 0.252 | 712025 | 470 | S |
| 1.250 | 1.752 | 1.758 | 0.252 | 7412S | 480 | S |
| 1.250 | 1.752 | 1.758 | 0.313 | 471709 | 470 | S |
| 1.250 | 1.812 | 1.817 | 0.235 | 39713 | TDW-H | T |
| 1.250 | 1.874 | 1.880 | 0.252 | 471737 | 470 | S |
| 1.250 | 1.955 | 1.960 | 0.256 | 3199 | 480 | S |
| 1.250 | 1.955 | 1.960 | 0.256 | 3199S | 480 | S |
| 1.250 | 1.968 | 1.972 | 0.468 | 6906S | 2040 | S |
| 1.250 | 1.969 | 1.975 | 0.469 | 203012 | 2030 | S |
| 1.250 | 1.979 | 1.985 | 0.252 | 204507 | 2040 | S |
| 1.250 | 1.979 | 1.985 | 0.406 | 203029 | 2030 | S |
| 1.250 | 1.979 | 1.983 | 0.406 | 204029 | 2040 | S |

| Shaft | Bore | O.D. | Width | Part Number | Style | Matl | Shaft | Bore | O.D. | Width | Part Number | Style | Matl |
|-------|-------|-------|-------|-------------|-------|------|-------|-------|-------|-------|-------------|-------|------|
| 1.250 | 1.983 | 1.989 | 0.251 | 7781S | 2030 | S | 1.260 | 1.654 | 1.661 | 0.394 | ◆223215← | 320 | S |
| 1.250 | 1.983 | 1.989 | 0.252 | 450049 | 450 | S | 32 | 42 | 42.20 | 10 | | | |
| 1.250 | 1.983 | 1.989 | 0.252 | 470049 | 470 | S | | | | | | | |
| 1.250 | 1.983 | 1.989 | 0.252 | 471750 | 470 | S | | | | | | | |
| 1.250 | 1.983 | 1.989 | 0.252 | 471750A | 470 | A | 1.260 | 1.693 | 1.701 | 0.276 | ◆324307XX | 320 | S |
| 1.250 | 1.983 | 1.989 | 0.252 | 471750V | 470 | V | 32 | 43 | 43.20 | 7 | | | |
| 1.250 | 2.000 | 2.011 | 0.250 | 40652S | 40S | S | 1.260 | 1.693 | 1.702 | 0.276 | ◆710370 | 320 | S |
| 1.250 | 2.000 | 2.006 | 0.252 | 450163 | 450 | S | 32 | 43 | 43.23 | 7 | | | |
| 1.250 | 2.000 | 2.006 | 0.252 | 471766 | 470 | S | 1.260 | 1.732 | 1.741 | 0.236 | ◆223220→ | 320 | N |
| | | | | | | | 32 | 44 | 44.22 | 6 | | | |
| | | | | | | | 1.260 | 1.772 | 1.780 | 0.236 | 320348 | 320 | V |
| | | | | | | | 1.260 | 1.772 | 1.781 | 0.276 | ◆223230 | 320 | S |
| | | | | | | | 32 | 45 | 45.24 | 7 | | | |
| 1.250 | 2.000 | 2.006 | 0.252 | 471766A | 470 | A | 1.260 | 1.772 | 1.781 | 0.276 | ◆324507XX | 320 | S |
| 1.250 | 2.000 | 2.006 | 0.252 | 471766V | 470 | V | 32 | 45 | 45.23 | 7 | | | |
| 1.250 | 2.000 | 2.004 | 0.290 | 200338 | 2000 | S | 1.260 | 1.811 | 1.820 | 0.236 | ◆223235→ | 320 | N |
| 1.250 | 2.000 | 2.006 | 0.437 | 470163 | 470 | S | 32 | 46 | 46.23 | 6 | | | |
| 1.250 | 2.000 | 2.006 | 0.438 | 410163 | 410 | S | 1.260 | 1.811 | 1.820 | 0.236 | ◆324606XX | 320 | S |
| | | | | | | | 32 | 46 | 46.23 | 6 | | | |
| 1.250 | 2.047 | 2.058 | 0.297 | 473551 | 470 | S | 1.260 | 1.850 | 1.859 | 0.236 | ◆710310→ | 320 | N |
| 1.250 | 2.062 | 2.066 | 0.250 | 41787S | 40S | S | 32 | 47 | 47.22 | 6 | | | |
| 1.250 | 2.062 | 2.066 | 0.250 | 471787 | 470 | S | 1.260 | 1.850 | 1.859 | 0.276 | ◆324707XX | 350 | S |
| 1.250 | 2.062 | 2.066 | 0.250 | 471787A | 470 | A | 32 | 47 | 47.23 | 7 | | | |
| 1.250 | 2.062 | 2.066 | 0.437 | 450244 | 450 | S | | | | | | | |
| | | | | | | | 1.260 | 1.850 | 1.859 | 0.315 | ◆3476→ | 320 | N |
| 1.250 | 2.062 | 2.066 | 0.437 | 470244 | 470 | S | 32 | 47 | 47.22 | 8 | | | |
| 1.250 | 2.106 | 2.110 | 0.468 | 450177 | 450 | S | 1.260 | 1.850 | 1.859 | 0.315 | ◆3476S→ | 320 | N |
| 1.250 | 2.125 | 2.131 | 0.250 | 470245 | 470 | S | 32 | 47 | 47.22 | 8 | | | |
| 1.250 | 2.125 | 2.131 | 0.250 | 471795 | 470 | S | 1.260 | 1.890 | 1.899 | 0.276 | ◆223240→ | 400 | N |
| 1.250 | 2.125 | 2.131 | 0.250 | 471795N | 470 | N | 32 | 48 | 48.24 | 7 | | | |
| | | | | | | | 1.260 | 1.890 | 1.899 | 0.276 | ◆710327→ | 320 | S |
| 1.250 | 2.125 | 2.131 | 0.251 | 482230N | 480 | N | 32 | 48 | 48.24 | 7 | | | |
| 1.250 | 2.250 | 2.256 | 0.250 | 42081S | 40S | S | 1.260 | 1.890 | 1.898 | 0.315 | ◆324808XX | 350 | S |
| 1.250 | 2.250 | 2.254 | 0.435 | 7686S | 250 | S | 32 | 48 | 48.20 | 8 | | | |
| 1.250 | 2.250 | 2.254 | 0.500 | 470165 | 470 | S | | | | | | | |
| 1.250 | 2.252 | 2.256 | 0.375 | 471801 | 470 | S | 1.260 | 1.890 | 1.899 | 0.394 | ◆710317← | 320 | S |
| | | | | | | | 32 | 48 | 48.24 | 10 | | | |
| 1.250 | 2.374 | 2.380 | 0.311 | 471808 | 470 | S | 1.260 | 1.969 | 1.978 | 0.315 | ◆223250→ | 320 | S |
| 1.250 | 2.402 | 2.408 | 0.228 | 710101↔ | # | S | 32 | 50 | 50.24 | 8 | | | |
| 1.250 | 2.437 | 2.443 | 0.311 | 471818 | 470 | S | 1.260 | 1.969 | 1.978 | 0.315 | ◆325008XX | 350 | S |
| 1.250 | 2.441 | 2.445 | 0.375 | 471407 | 470 | S | 32 | 50 | 50.23 | 8 | | | |
| 1.250 | 2.502 | 2.506 | 0.375 | 471833 | 470 | S | 1.260 | 1.969 | 1.974 | 0.315 | ◆710162 | 480 | V |
| | | | | | | | 32 | 50 | 50.14 | 8 | | | |
| 1.250 | 2.561 | 2.565 | 0.500 | 451845 | 450 | S | 1.260 | 1.969 | 1.974 | 0.315 | ◆710164 | 480 | V |
| 1.250 | 2.561 | 2.565 | 0.500 | 471845N | 470 | N | 32 | 50 | 50.14 | 8 | | | |
| 1.250 | 2.686 | 2.690 | 0.375 | 481859 | 480 | S | 1.260 | 1.969 | 1.978 | 0.315 | ◆710415→ | 320 | S |
| 1.250 | 2.713 | 2.717 | 0.468 | 450341 | 450 | S | 32 | 50 | 50.24 | 8 | | | |
| 1.250 | 2.835 | 2.841 | 0.374 | 470806 | 470 | S | 1.260 | 2.047 | 2.058 | 0.276 | ◆223255 | 350 | S |
| | | | | | | | 32 | 52 | 52.27 | 7 | | | |
| 1.250 | 2.877 | 2.881 | 0.250 | 472536 | 470 | S | 1.260 | 2.047 | 2.058 | 0.276 | ◆325207XX | 350 | S |
| 1.250 | 3.150 | 3.155 | 0.375 | 472651V | 470 | V | 32 | 52 | 52.28 | 7 | | | |
| 1.250 | 3.155 | 3.160 | 0.500 | 453279 | 450 | S | 1.260 | 2.047 | 2.055 | 0.394 | 710306 | 320 | S |
| | | | | | | | 1.260 | 2.047 | 2.058 | 0.433 | ◆1167 | 320 | N |
| | | | | | | | 32 | 52 | 52.27 | 11 | | | |
| | | | | | | | 1.260 | 2.047 | 2.058 | 0.433 | ◆1167S | 320 | N |
| | | | | | | | 32 | 52 | 52.27 | 11 | | | |
| | | | | | | | 1.260 | 2.047 | 2.058 | 0.433 | ◆223252← | 320 | N |
| | | | | | | | 32 | 52 | 52.28 | 11 | | | |
| | | | | | | | 1.260 | 2.087 | 2.098 | 0.276 | ◆223253→ | 320 | N |
| | | | | | | | 32 | 53 | 53.29 | 7 | | | |
| | | | | | | | 1.260 | 2.126 | 2.132 | 0.354 | ◆2008 | # | S |
| | | | | | | | 32 | 54 | 54.15 | 9 | | | |

1.260"

32mm

| Shaft | Bore | O.D. | Width | Part Number | Style | Matl |
|-------------|-------------|----------------|-------------|-------------|-------|------|
| 1.260 32 | 2.126 54 | 2.132 54.15 | 0.354 9 | ◆2008S | # | S |
| 1.260 32 | 2.126 54 | 2.135 54.23 | 0.394 10 | ◆325410XX | 320 | S |
| 1.260 32 | 2.205 56 | 2.216 56.28 | 0.394 10 | ◆325610XX | 350 | S |
| 1.260 32 | 2.283 58 | 2.291 58.20 | 0.315 8 | ◆325808XX | 320 | S |
| 1.260 32 | 2.362 60 | 2.370 60.20 | 0.315 8 | ◆326008XX | 320 | S |
| 1.260 32 | 2.362 60 | 2.370 60.20 | 0.394 10 | ◆326010XX | 480 | S |

| | | | | | | |
|-------------|-------------|----------------|------------|-----------|-----|---|
| 1.260 32 | 2.441 62 | 2.449 62.20 | 0.315 8 | ◆326208XX | 320 | S |
| 1.260 32 | 2.835 72 | 2.843 72.20 | 0.315 8 | ◆327208XX | 320 | S |

1.281" 1 9/32"

| | | | | | | |
|-------|-------|-------|-------|--------|-----|---|
| 1.281 | 1.752 | 1.756 | 0.375 | 51032S | 50S | S |
| 1.281 | 1.983 | 1.987 | 0.437 | 470050 | 470 | S |
| 1.281 | 2.000 | 2.006 | 0.250 | 353137 | 350 | S |
| 1.281 | 2.000 | 2.011 | 0.374 | 473424 | 470 | S |

1.299" 33mm

| | | | | | | |
|-------------|-------------|----------------|------------|----------|-------|---|
| 1.299 33 | 1.732 44 | 1.738 44.15 | 0.315 8 | ◆710070 | 470 | S |
| 1.299 | 1.779 | 1.784 | 0.256 | 39879 | TFW-H | T |
| 1.299 | 1.828 | 1.832 | 0.375 | 6370N | 330 | N |
| 1.299 33 | 1.850 47 | 1.859 47.22 | 0.276 7 | ◆223340→ | 320 | S |
| 1.299 33 | 1.929 49 | 1.938 49.23 | 0.315 8 | ◆710236→ | 320 | N |

| | | | | | | |
|-------------|-------------|----------------|-------------|-----------|-----|---|
| 1.299 33 | 1.969 50 | 1.978 50.24 | 0.276 7 | ◆710328 | 350 | S |
| 1.299 33 | 1.969 50 | 1.978 50.25 | 0.472 12 | ◆1168← | 320 | S |
| 1.299 33 | 1.969 50 | 1.978 50.25 | 0.472 12 | ◆335012XX | 320 | S |
| 1.299 | 2.044 | 2.050 | 0.490 | 3348 | 470 | S |
| 1.299 33 | 2.047 52 | 2.057 52.25 | 0.236 6 | ◆335206XX | 320 | S |

| | | | | | | |
|-------------|-------------|----------------|-------------|---------|-----|---|
| 1.299 33 | 2.205 56 | 2.216 56.29 | 0.512 13 | ◆710132 | 400 | N |
| 1.299 33 | 2.323 59 | 2.334 59.28 | 0.433 11 | ◆710124 | 400 | N |
| 1.299 | 3.539 | 3.528 | 1.575 | 5210 | 350 | N |

1.301"

| | | | | | | |
|-------|-------|-------|-------|--------|-----|---|
| 1.301 | 2.000 | 2.004 | 0.437 | 471193 | 470 | S |
| 1.301 | 2.620 | 2.625 | 0.315 | 710043 | # | S |

1.312" 1 5/16"

| | | | | | | |
|-------|-------|-------|-------|--------|-----|---|
| 1.312 | - | - | 0.350 | 327878 | 320 | S |
| 1.312 | 1.752 | 1.760 | 0.187 | 240716 | 240 | S |

| Shaft | Bore | O.D. | Width | Part Number | Style | Matl |
|-------|-------|-------|-------|-------------|-------|------|
| 1.312 | 1.828 | 1.833 | 0.250 | 39904 | TFF | T |
| 1.312 | 1.874 | 1.878 | 0.375 | 473423 | 470 | S |
| 1.312 | 1.983 | 1.987 | 0.375 | 473422 | 470 | S |
| 1.312 | 2.062 | 2.066 | 0.312 | 472826 | 470 | S |
| 1.312 | 2.062 | 2.066 | 0.437 | 470129 | 470 | S |
| 1.312 | 2.106 | 2.110 | 0.375 | 473421 | 470 | S |
| 1.312 | 2.166 | 2.172 | 0.375 | 473812 | 470 | S |
| 1.313 | 2.250 | 2.256 | 0.311 | 473212A | 470 | A |
| 1.312 | 2.437 | 2.441 | 0.468 | 470503 | 470 | S |
| 1.312 | 2.502 | 2.506 | 0.375 | 481834 | 480 | S |
| 1.312 | 2.996 | 3.001 | 0.500 | 450147 | 450 | S |

1.313" 1 5/16"

| | | | | | | |
|-------|-------|-------|-------|--------|-----|---|
| 1.313 | 1.625 | - | 0.156 | 722108 | VS1 | N |
| 1.313 | 2.000 | 2.006 | 0.313 | 473210 | 470 | S |
| 1.313 | 2.125 | 2.131 | 0.311 | 473211 | 470 | S |
| 1.313 | 2.250 | 2.256 | 0.311 | 473212 | 470 | S |
| 1.313 | 2.282 | 2.286 | 0.250 | 40769S | 40S | S |

| | | | | | | |
|-------|-------|-------|-------|--------|-----|---|
| 1.313 | 2.374 | 2.380 | 0.313 | 473213 | 470 | S |
| 1.313 | 2.835 | 2.841 | 0.375 | 471904 | 470 | S |

1.318"

| | | | | | | |
|-------|-------|-------|-------|------|---|---|
| 1.318 | 2.280 | 2.285 | 0.354 | 5131 | # | S |
| 1.318 | 2.620 | 2.625 | 1.000 | 2300 | # | S |

1.322"

| | | | | | | |
|-------|-------|-------|-------|--------|-----|---|
| 1.322 | 2.227 | 2.231 | 0.375 | 484058 | 480 | S |
|-------|-------|-------|-------|--------|-----|---|

1.326"

| | | | | | | |
|-------|-------|-------|-------|--------|-----|---|
| 1.326 | 2.061 | 2.065 | 0.375 | 484054 | 480 | S |
|-------|-------|-------|-------|--------|-----|---|

1.328"

| | | | | | | |
|-------|-------|-------|-------|------|-----|---|
| 1.328 | 2.227 | 2.233 | 0.313 | 5124 | 480 | S |
|-------|-------|-------|-------|------|-----|---|

1.339" 34mm

| | | | | | | |
|-------------|-------------|----------------|---------------|-----------|-----|---|
| 1.339 34 | 1.732 44 | 1.741 44.23 | 0.315 8 | ◆223400 | 320 | N |
| 1.339 34 | 1.772 45 | 1.780 45.20 | 0.315 8 | ◆344508XX | 320 | S |
| 1.339 34 | 1.890 48 | 1.899 48.24 | 0.295 7.50 | ◆710416 | 350 | S |
| 1.339 34 | 1.890 48 | 1.899 48.24 | 0.315 8 | ◆223420→ | 320 | N |
| 1.339 34 | 2.047 52 | 2.058 52.28 | 0.315 8 | ◆345208XX | 320 | S |

| | | | | | | |
|-------------|-------------|----------------|------------|---------|-----|---|
| 1.339 34 | 2.087 53 | 2.098 53.28 | 0.315 8 | ◆223440 | 320 | N |
| 1.339 34 | 2.087 53 | 2.098 53.29 | 0.315 8 | ◆710418 | 320 | N |

| Shaft | Bore | O.D. | Width | Part Number | Style | Matl | Shaft | Bore | O.D. | Width | Part Number | Style | Matl | |
|---------------|-------|-------|-------|-------------|-------|------|-----------------|-------|-------|-------|-------------|-------|------|--|
| 1.339 | 2.126 | 2.134 | 0.354 | ◆345409XX | 350 | S | 1.375 | - | | 0.375 | 50480S | 450 | S | |
| 34 | 54 | 54.20 | 9 | | | | 1.375 | 1.750 | 1.756 | 0.187 | 340853 | 340 | S | |
| 1.339 | 2.126 | 2.137 | 0.354 | ◆710110↔ | 400 | N | 1.375 | 1.828 | 1.834 | 0.250 | 323138 | 320 | S | |
| 34 | 54 | 54.28 | 9 | | | | | | | | | | | |
| 1.339 | 2.165 | 2.173 | 0.354 | ◆345509XX | 320 | S | | | | | | | | |
| 34 | 55 | 55.20 | 9 | | | | 1.375 | 1.829 | 1.837 | 0.187 | 6597S | 340 | S | |
| | | | | | | | 1.375 | 1.874 | 1.879 | 0.250 | 40395 | 40S | S | |
| 1.339 | 2.441 | 2.448 | 0.394 | ◆346210XX | 350 | S | 1.375 | 1.874 | 1.879 | 0.250 | 40395S | 40S | S | |
| 34 | 62 | 62.18 | 10 | | | | 1.375 | 1.874 | 1.879 | 0.250 | 484156V | 480 | V | |
| 1.339 | 2.441 | 2.452 | 0.394 | ◆710422 | 350 | S | 1.375 | 1.874 | 1.880 | 0.311 | 330663 | 330 | S | |
| 34 | 62 | 62.28 | 10 | | | | | | | | | | | |
| 1.339 | 2.480 | 2.491 | 0.354 | ◆710109↔ | 400 | N | 1.375 | 1.874 | 1.880 | 0.313 | 472354 | 470 | S | |
| 34 | 63 | 63.27 | 9 | | | | 1.375 | 1.875 | 1.878 | 0.187 | 6668S | 330 | S | |
| 1.339 | 2.559 | 2.563 | 0.472 | ◆710151 | 470 | S | 1.375 | 1.875 | 1.884 | 0.250 | 352354 | 350 | S | |
| 34 | 65 | 65.10 | 12 | | | | 1.375 | 1.937 | 1.954 | 0.235 | 1987 | 330 | N | |
| | | | | | | | 1.375 | 1.937 | 1.954 | 0.235 | 1987S | 330 | N | |
| 1.343" | | | | | | | 1 11/32" | | | | | | | |
| 1.343 | 2.106 | 2.110 | 0.375 | 473435 | 470 | S | 1.375 | 1.947 | 1.953 | 0.500 | 1097 | 330 | S | |
| 1.343 | 2.125 | 2.129 | 0.375 | 473436 | 470 | S | 1.375 | 1.947 | 1.953 | 0.500 | 1097N | 330 | S | |
| 1.343 | 2.374 | 2.378 | 0.500 | 450054 | 450 | S | 1.375 | 1.952 | 1.953 | 0.500 | 2443 | 250 | N | |
| 1.343 | 2.441 | 2.445 | 0.375 | 483793 | 480 | S | 1.375 | 1.981 | 1.989 | 0.252 | 714655 | 480 | N | |
| | | | | | | | 1.375 | 2.000 | 2.004 | 0.250 | 40522S | 40S | S | |
| 1.350" | | | | | | | 1.375" | | | | | | | |
| 1.350 | 1.620 | 1.625 | 0.355 | 710076 | # | S | 1.375 | 2.000 | 2.006 | 0.311 | 471268 | 470 | S | |
| 1.350 | 2.571 | 2.577 | 0.539 | 8594S | 620 | S | 1.375 | 2.000 | 2.006 | 0.311 | 471268N | 470 | N | |
| | | | | | | | 1.375 | 2.000 | 2.006 | 0.311 | 472258 | 470 | S | |
| | | | | | | | 1.375 | 2.000 | 2.006 | 0.311 | 472258A | 470 | A | |
| | | | | | | | 1.375 | 2.000 | 2.006 | 0.311 | 472258V | 470 | V | |
| 1.362" | | | | | | | 1.375" | | | | | | | |
| 1.362 | 2.191 | 2.197 | 0.252 | 8133S | 480 | S | 1.375 | 2.000 | 2.006 | 0.311 | 480570 | 480 | S | |
| | | | | | | | 1.375 | 2.000 | 2.006 | 0.311 | 5872S | 450 | S | |
| | | | | | | | 1.375 | 2.000 | 2.004 | 0.312 | 482258V | 480 | V | |
| | | | | | | | 1.375 | 2.047 | 2.053 | 0.311 | 472642 | 470 | S | |
| | | | | | | | 1.375 | 2.047 | 2.053 | 0.311 | 472642V | 470 | V | |
| 1.365" | | | | | | | 1.375" | | | | | | | |
| 1.365 | 1.955 | 1.961 | 0.438 | 3214↔ | 480 | S | 1.375 | 2.047 | 2.052 | 0.330 | 4529N→ | 680 | N | |
| 1.365 | 2.081 | 2.087 | 0.435 | 51322 | 50S | S | 1.375 | 2.062 | 2.073 | 0.375 | 450403 | 450 | S | |
| 1.365 | 2.260 | 2.266 | 0.313 | 9569S | 990 | S | 1.375 | 2.062 | 2.073 | 0.375 | 470774 | 470 | S | |
| 1.365 | 2.374 | 2.380 | 0.435 | 9568 | 480 | S | 1.375 | 2.062 | 2.073 | 0.375 | 470774V | 470 | V | |
| | | | | | | | 1.375 | 2.062 | 2.073 | 0.375 | 6760S | 350 | S | |
| 1.370" | | | | | | | 1.375" | | | | | | | |
| 1.370 | 1.375 | 2.438 | 0.250 | 715101 | # | S | 1.375 | 2.062 | 2.068 | 0.438 | 470403 | 470 | S | |
| | | | | | | | 1.375 | 2.106 | 2.110 | 0.312 | ◆472287 | 470 | S | |
| | | | | | | | 1.375 | 2.125 | 2.131 | 0.311 | | | | |
| | | | | | | | 1.375 | 2.125 | 2.131 | 0.311 | 470135 | 470 | S | |
| | | | | | | | 1.375 | 2.125 | 2.131 | 0.311 | 471192 | 470 | S | |
| | | | | | | | 1.375 | 2.125 | 2.131 | 0.311 | 482576N | 480 | N | |
| 1.372" | | | | | | | 1.375" | | | | | | | |
| 1.372 | 2.250 | 2.515 | 1.197 | 7715S | # | S | 1.375 | 2.125 | 2.129 | 0.375 | 39140 | 940 | T | |
| 1.372 | 4.560 | 4.567 | 0.480 | 8549S | # | S | 1.375 | 2.125 | 2.131 | 0.438 | 450135 | 450 | S | |
| | | | | | | | 1.375 | 2.250 | 2.254 | 0.250 | 40169S | 40S | S | |
| | | | | | | | 1.375 | 2.250 | 2.256 | 0.311 | 473214 | 470 | S | |
| | | | | | | | 1.375 | 2.250 | 2.256 | 0.311 | 473214A | 470 | A | |
| 1.374" | | | | | | | 1 3/8" | | | | | | | |
| 1.374 | 1.874 | 1.880 | 0.251 | 50395S | 50S | S | 1.375 | 2.250 | 2.252 | 1.062 | 6200 | 90S | S | |
| 1.374 | 1.983 | 1.989 | 0.311 | 482163 | 480 | S | 1.375 | 2.282 | 2.286 | 0.250 | 42763 | 40S | S | |
| 1.374 | 1.983 | 1.989 | 0.311 | 482163N | 480 | N | 1.375 | 2.282 | 2.286 | 0.500 | 50402 | 50S | S | |
| 1.374 | 2.244 | 2.250 | 0.374 | 2655← | 790 | N | 1.375 | 2.327 | 2.332 | 0.406 | 204027 | 2040 | S | |
| 1.375" | | | | | | | 1 3/8" | | | | | | | |
| 1.375 | - | 4.582 | 0.259 | 8676S | 540 | S | 1.375 | 2.374 | 2.378 | 0.250 | 43089S | 40S | S | |
| 1.375 | - | 4.582 | 0.259 | 9344S | 540 | S | | | | | | | | |

| Shaft | Bore | O.D. | Width | Part Number | Style | Matl | Shaft | Bore | O.D. | Width | Part Number | Style | Matl |
|---------------|-------|-------|-------|-------------|-------|------|-------|-------|-------|-------|-------------|-------|------|
| 1.375 | 2.374 | 2.380 | 0.311 | 473215 | 470 | S | 1.378 | 1.890 | 1.899 | 0.394 | ◆1108→ | 320 | V |
| 1.375 | 2.374 | 2.378 | 0.500 | 3116← | 710 | N | 35 | 48 | 48.24 | 10 | | | |
| 1.375 | 2.374 | 2.378 | 0.500 | 3116N← | 710 | N | | | | | | | |
| 1.375 | 2.374 | 2.378 | 0.500 | 470055N | 470 | N | | | | | | | |
| 1.375 | 2.374 | 2.380 | 0.500 | 480055 | 480 | S | 1.378 | 1.890 | 1.895 | 0.512 | ◆1215← | # | N |
| 1.375 | 2.437 | 2.441 | 0.375 | 470950 | 470 | S | 35 | 48 | 48.13 | 13 | | | |
| 1.375 | 2.441 | 2.447 | 0.375 | 471276 | 470 | S | 1.378 | 1.890 | 1.895 | 0.512 | ◆1215N← | # | N |
| 1.375 | 2.441 | 2.447 | 0.375 | 471276V | 470 | V | 35 | 48 | 48.13 | 13 | | | |
| 1.375 | 2.500 | 2.506 | 0.313 | 471835 | 470 | S | 1.378 | 1.929 | 1.941 | 0.315 | ◆710178 | # | S |
| | | | | | | | 35 | 49 | 49.30 | 8 | | | |
| 1.375 | 2.500 | 2.506 | 0.313 | 7687S | 470 | S | 1.378 | 1.949 | 1.962 | 0.394 | ◆1940→ | 320 | N |
| 1.375 | 2.502 | 2.506 | 0.250 | 7245 | 40S | S | 35 | 49.50 | 49.83 | 10 | | | |
| 1.375 | 2.561 | 2.567 | 0.374 | 471847N | 470 | N | | | | | | | |
| 1.375 | 2.561 | 2.567 | 0.374 | 473258 | 470 | S | 1.378 | 1.969 | 1.980 | 0.276 | ◆1980→ | 320 | H |
| 1.375 | 2.623 | 2.627 | 0.375 | 472843 | 470 | S | 35 | 50 | 50.29 | 7 | | | |
| 1.375 | 2.686 | 2.690 | 0.500 | 450776 | 450 | S | 1.378 | 1.969 | 1.976 | 0.276 | ◆355007XX | 350 | S |
| 1.375 | 2.716 | 2.720 | 0.468 | 450456 | 450 | S | 35 | 50 | 50.20 | 7 | | | |
| 1.375 | 2.717 | 2.723 | 0.375 | 323125 | 320 | S | 1.378 | 1.969 | 1.980 | 0.276 | ◆3771→ | 350 | H |
| 1.375 | 2.750 | 2.754 | 0.500 | 450463 | 450 | S | 35 | 50 | 50.29 | 7 | | | |
| 1.375 | 2.835 | 2.841 | 0.311 | 473197 | 470 | S | 1.378 | 1.969 | 1.980 | 0.315 | ◆223520 | 350 | S |
| | | | | | | | 35 | 50 | 50.29 | 8 | | | |
| 1.375 | 2.835 | 2.841 | 0.311 | 473197V | 470 | V | 1.378 | 1.969 | 1.978 | 0.315 | ◆355008XX | 350 | S |
| 1.375 | 2.835 | 2.841 | 0.374 | 472658 | 470 | S | 35 | 50 | 50.24 | 8 | | | |
| 1.375 | 2.835 | 2.841 | 0.469 | 450452 | 450 | S | 1.378 | 1.969 | 1.982 | 0.315 | ◆713771→ | 350 | V |
| 1.375 | 2.875 | 2.879 | 0.468 | 471105 | 470 | S | 35 | 50 | 50.34 | 8 | | | |
| 1.375 | 3.000 | 3.006 | 0.500 | 470989 | 470 | S | 1.378 | 1.969 | 1.978 | 0.433 | ◆710324← | 320 | S |
| | | | | | | | 35 | 50 | 50.24 | 11 | | | |
| 1.375 | 3.125 | 3.130 | 0.500 | 450516 | 450 | S | 1.378 | 1.969 | 1.980 | 0.453 | ◆710111← | # | N |
| 1.375 | 3.149 | 3.155 | 0.374 | 471379 | 470 | S | 35 | 50 | 50.29 | 11.50 | | | |
| 1.375 | 3.350 | 3.357 | 0.469 | 450492 | 450 | S | 1.378 | 2.047 | 2.053 | 0.276 | ◆223535 | 330 | S |
| 1.375 | 3.542 | 3.549 | 0.397 | 4532N | 930 | N | 35 | 52 | 52.15 | 7 | | | |
| 1.377" | | | | | | | 1.378 | 2.047 | 2.055 | 0.276 | ◆355207XX | 350 | S |
| 1.377 | 2.162 | 2.167 | 0.744 | 4614N↔ | 570 | N | 35 | 52 | 52.20 | 7 | | | |
| 1.377 | 2.874 | 2.881 | 0.693 | 4613N↔ | 570 | N | 1.378 | 2.047 | 2.052 | 0.315 | ◆355208XX | 330 | S |
| | | | | | | | 35 | 52 | 52.13 | 8 | | | |
| 1.378" | | | | | | | 1.378 | 2.047 | 2.058 | 0.315 | ◆3655→ | 320 | N |
| 1.378 | 1.732 | 1.738 | 0.276 | ◆710383 | 470 | S | 35 | 52 | 52.27 | 8 | | | |
| 35 | 44 | 44.15 | 7 | | | | 1.378 | 2.047 | 2.058 | 0.315 | ◆3655S→ | 320 | N |
| 1.378 | 1.772 | 1.778 | 0.276 | ◆354507XX | 350 | S | 35 | 52 | 52.27 | 8 | | | |
| 35 | 45 | 45.15 | 7 | | | | 1.378 | 2.047 | 2.052 | 0.315 | ◆4052R↔ | # | N |
| 1.378 | 1.850 | 1.866 | 0.276 | ◆1172→ | 320 | H | 35 | 52 | 52.13 | 8 | | | |
| 35 | 47 | 47.40 | 7 | | | | 1.378 | 2.047 | 2.061 | 0.315 | ◆713655 | 320 | N |
| 1.378 | 1.850 | 1.866 | 0.276 | ◆1172S→ | 320 | H | 35 | 52 | 52.35 | 8 | | | |
| 35 | 47 | 47.40 | 7 | | | | 1.378 | 2.047 | 2.057 | 0.394 | ◆1170 | 320 | S |
| 1.378 | 1.850 | 1.859 | 0.276 | ◆223510 | 350 | S | 35 | 52 | 52.25 | 10 | | | |
| 35 | 47 | 47.22 | 7 | | | | 1.378 | 2.047 | 2.057 | 0.394 | ◆1170S | 320 | S |
| | | | | | | | 35 | 52 | 52.25 | 10 | | | |
| 1.378 | 1.850 | 1.859 | 0.276 | ◆354707XX | 350 | S | 1.378 | 2.097 | 2.105 | 0.305 | 4040R← | # | N |
| 35 | 47 | 47.23 | 7 | | | | 1.378 | 2.126 | 2.134 | 0.315 | ◆355408XX | 350 | S |
| 1.378 | 1.890 | 1.898 | 0.299 | 320249 | 320 | V | 35 | 54 | 54.20 | 8 | | | |
| 1.378 | 1.890 | 1.898 | 0.315 | ◆354808XX | 320 | S | 1.378 | 2.126 | 2.132 | 0.315 | ◆710217 | # | S |
| 35 | 48 | 48.20 | 8 | | | | 35 | 54 | 54.15 | 8 | | | |
| 1.378 | 1.890 | 1.899 | 0.315 | ◆714436 | 320 | S | 1.378 | 2.126 | 2.134 | 0.315 | ◆710331← | 320 | V |
| 35 | 48 | 48.24 | 8 | | | | 35 | 54 | 54.20 | 8 | | | |
| | | | | | | | 1.378 | 2.126 | 2.132 | 0.354 | ◆710199↔ | # | N |
| | | | | | | | 35 | 54 | 54.15 | 9 | | | |
| | | | | | | | 1.378 | 2.162 | 2.167 | 0.575 | 3543 | 570 | H |

| Shaft | Bore | O.D. | Width | Part Number | Style | Matl | Shaft | Bore | O.D. | Width | Part Number | Style | Matl |
|-------------|-------------|----------------|-------------|-------------|-------|------|------------------------|-------------|----------------|-------------|-------------|-------|------|
| 1.378 35 | 2.165 55 | 2.176 55.27 | 0.315 8 | ◆223540 | 320 | N | 1.378 35 | 2.520 64 | 2.525 64.13 | 0.315 8 | ◆356408XX | 470 | N |
| 1.378 35 | 2.165 55 | 2.176 55.27 | 0.315 8 | ◆223542 | 320 | N | 1.378 35 | 2.559 65 | 2.567 65.20 | 0.315 8 | ◆356508XX | 320 | S |
| 1.378 35 | 2.165 55 | 2.174 55.10 | 0.315 8 | ◆355508XX | 470 | S | 1.378 35 | 2.559 65 | 2.567 65.20 | 0.394 10 | ◆356510XX | 320 | S |
| 1.378 35 | 2.165 55 | 2.172 55.17 | 0.315 8 | ◆473823 | 470 | S | 1.378 35 | 2.559 65 | 2.570 65.28 | 0.472 12 | ◆710335 | 320 | S |
| 1.378 35 | 2.165 55 | 2.174 55.23 | 0.433 11 | ◆355511XX | 320 | S | 1.378 35 | 2.638 67 | 2.648 67.27 | 0.472 12 | ◆1173 | 320 | N |
| 1.378 35 | 2.205 56 | 2.216 56.29 | 0.315 8 | ◆2007→ | # | S | 1.378 35 | 2.677 68 | 2.688 68.28 | 0.354 9 | ◆1140→ | 320 | N |
| 1.378 35 | 2.205 56 | 2.216 56.29 | 0.315 8 | ◆2007N→ | # | S | 1.378 35 | 2.677 68 | 2.683 68.16 | 0.354 9 | ◆223580→ | 400 | S |
| 1.378 35 | 2.205 56 | 2.216 56.29 | 0.315 8 | ◆2007S→ | # | S | 1.378 35 | 2.677 68 | 2.685 68.20 | 0.354 9 | ◆710336← | 400 | N |
| 1.378 35 | 2.205 56 | 2.213 56.20 | 0.315 8 | ◆355608XX | 350 | S | 1.378 35 | 2.756 70 | 2.764 70.20 | 0.315 8 | ◆357008XX | 320 | S |
| 1.378 35 | 2.205 56 | 2.216 56.29 | 0.315 8 | ◆710314← | 400 | N | 1.378 35 | 2.835 72 | 2.846 72.28 | 0.394 10 | ◆357210XX | 350 | S |
| 1.378 35 | 2.205 56 | 2.216 56.29 | 0.315 8 | ◆710315→ | 400 | S | 1.378 35 | 2.835 72 | 2.846 72.29 | 0.394 10 | ◆710360 | 350 | S |
| 1.378 35 | 2.205 56 | 2.213 56.20 | 0.354 9 | ◆710396↔ | 400 | S | 1.378 35 | 2.992 76 | 3.003 76.28 | 0.354 9 | ◆1136← | 300 | N |
| 1.378 35 | 2.205 56 | 2.216 56.29 | 0.394 10 | ◆223543 | 320 | S | 1.378 35 | 2.992 76 | 3.003 76.28 | 0.354 9 | ◆1136S← | 300 | N |
| 1.378 35 | 2.205 56 | 2.215 56.27 | 0.394 10 | ◆355610XX | 320 | S | 1.378 35 | 2.992 76 | 3.003 76.28 | 0.354 9 | ◆1147→ | 320 | N |
| 1.378 35 | 2.205 56 | 2.216 56.29 | 0.394 10 | ◆710218 | # | V | 1.378 35 | 3.150 80 | 3.150 80.20 | 0.315 8 | ◆358008XX | 320 | S |
| 1.378 35 | 2.240 56 | 2.247 56.29 | 2.540 | 710096 | 740 | N | 1.380" | | | | | | |
| 1.378 35 | 2.244 58 | 2.246 58.27 | 0.601 10 | 100165 | # | S | 1.380 | 2.288 | 2.291 | 0.750 | 710429 | 870 | V |
| 1.378 35 | 2.283 58 | 2.294 58.28 | 0.394 10 | ◆223550 | 450 | S | 1.391" | | | | | | |
| 1.378 35 | 2.283 58 | 2.294 58.28 | 0.394 10 | ◆355810XX | 350 | S | 1.391 | 2.482 | 2.488 | 0.344 | 4795V↔ | 740 | V |
| 1.378 35 | 2.362 60 | 2.373 60.27 | 0.315 8 | ◆710424 | 350 | S | 1.399" | | | | | | |
| 1.378 35 | 2.362 60 | 2.371 60.23 | 0.394 10 | ◆356010XX | 350 | S | 1.399 | 2.250 | 2.254 | 0.250 | 470672 | 470 | S |
| 1.378 35 | 2.362 60 | 2.368 60.15 | 0.472 12 | ◆710201 | 470 | S | 1.399 | 2.292 | 2.298 | 0.500 | 710166↔ | 740 | S |
| 1.378 35 | 2.441 62 | 2.452 62.28 | 0.276 7 | ◆223552 | 320 | S | 1.399 | 2.292 | 2.298 | 0.500 | 8660S↔ | 480 | S |
| 1.378 35 | 2.441 62 | 2.452 62.28 | 0.276 7 | ◆356207XX | 350 | S | 1.400" | | | | | | |
| 1.378 35 | 2.441 62 | 2.452 62.28 | 0.354 9 | ◆223553→ | 400 | N | 1.400 | 1.969 | 2.000 | 0.250 | 1110 | # | F |
| 1.378 35 | 2.441 62 | 2.452 62.28 | 0.354 9 | ◆4901 | 400 | N | 1.400 | 2.282 | 2.293 | 0.394 | 4857↔ | 860 | V |
| 1.378 35 | 2.441 62 | 2.449 62.20 | 0.394 10 | ◆356210XX | 350 | S | 1.400 | 2.478 | 2.486 | 0.521 | 710066 | 830 | S |
| 1.378 35 | 2.480 63 | 2.488 63.17 | 0.354 10 | 710138 | 400 | S | 1.406" 1 13/32" | | | | | | |
| 1.378 35 | 2.480 63 | 2.487 63.17 | 0.394 10 | ◆223554 | # | S | 1.406 | 2.125 | 2.129 | 0.437 | 50126 | 50S | S |
| 1.378 35 | 2.480 64 | 2.491 64.13 | 0.394 8 | 710419 | # | S | 1.417" 36mm | | | | | | |
| 1.378 35 | 2.520 64 | 2.525 64.13 | 0.315 8 | ◆223555 | 470 | N | 1.417 | 1.732 44 | 1.741 44.22 | 0.197 5 | ◆710252 | 320 | S |

| Shaft | Bore | O.D. | Width | Part Number | Style | Matl |
|------------------------------|-------------|----------------|---------------|-------------|-------|------|
| 1.417 36 | 1.811 46 | 1.817 46.15 | 0.354 9 | ◆710343 | 330 | S |
| 1.417 36 | 1.850 47 | 1.859 47.22 | 0.276 7 | ◆223601 | 350 | S |
| 1.417 36 | 1.850 47 | 1.858 47.20 | 0.276 7 | ◆364707XX | 350 | S |
| 1.417 36 | 1.929 49 | 1.938 49.23 | 0.276 7 | ◆223602→ | 320 | N |
| 1.417 36 | 1.969 50 | 1.974 50.14 | 0.276 7 | ◆223605 | 470 | S |
| 1.417 36 | 1.969 50 | 1.972 50.08 | 0.276 7 | ◆365007XX | 470 | S |
| 1.417 36 | 1.969 50 | 1.980 50.29 | 0.315 8 | ◆710341← | 320 | S |
| 1.417 36 | 2.047 52 | 2.055 52.20 | 0.276 7 | ◆365207XX | 350 | S |
| 1.417 36 | 2.047 52 | 2.055 52.20 | 0.394 10 | ◆223608← | 320 | S |
| 1.417 36 | 2.126 54 | 2.137 54.28 | 0.276 7.50 | 710197 | 400 | N |
| 1.417 36 | 2.126 54 | 2.137 54.20 | 0.295 8 | ◆223610 | 350 | S |
| 1.417 36 | 2.126 54 | 2.134 54.20 | 0.315 8 | ◆365408XX | 350 | S |
| 1.417 36 | 2.165 55 | 2.169 55.09 | 0.256 6.50 | ◆2003 | 470 | S |
| 1.417 36 | 2.165 55 | 2.169 55.09 | 0.256 6.50 | ◆2003N | 470 | S |
| 1.417 36 | 2.205 56 | 2.215 56.25 | 0.394 10 | ◆365610XX | 350 | S |
| 1.417 36 | 2.250 58 | 2.254 58.25 | 0.250 8 | 474127 | 470 | S |
| 1.417 36 | 2.283 58 | 2.293 58.23 | 0.315 12 | ◆365808XX | 470 | S |
| 1.417 36 | 2.283 58 | 2.293 58.23 | 0.472 12 | ◆365812XX | 350 | S |
| 1.417 36 | 2.362 60 | 2.370 60.20 | 0.276 7 | ◆366007XX | 320 | S |
| 1.417 36 | 2.362 60 | 2.370 60.20 | 0.315 8 | ◆1965 | 480 | V |
| 1.417 36 | 2.441 62 | 2.452 62.28 | 0.276 7 | ◆366207XX | 320 | S |
| 1.417 36 | 2.520 64 | 2.526 64.16 | 0.433 11 | ◆710152 | # | S |
| 1.417 36 | 2.559 65 | 2.567 65.20 | 0.315 8 | ◆710057 | 480 | S |
| 1.417 36 | 2.614 68 | 2.629 68.28 | 0.500 10 | 9342S | 480 | S |
| 1.417 36 | 2.677 68 | 2.688 68.28 | 0.394 10 | ◆366810XX | 350 | S |
| 1.436" | | | | | | |
| 1.436 | 2.062 | 2.073 | 0.250 | 352444 | 350 | S |
| 1.437" 1 7/16" | | | | | | |
| 1.437 | 2.062 | 2.068 | 0.311 | 3395↔ | 470 | S |
| 1.437 | 2.125 | 2.131 | 0.313 | 473224 | 470 | S |
| 1.437 | 2.250 | 2.256 | 0.311 | 473016 | 470 | S |
| 1.437 | 2.312 | 2.318 | 0.374 | 472655 | 470 | S |

| Shaft | Bore | O.D. | Width | Part Number | Style | Matl |
|---------------------------|-------------|----------------|-------------|-------------|-------|------|
| 1.437 | 2.374 | 2.380 | 0.311 | 470062 | 470 | S |
| 1.437 | 2.374 | 2.380 | 0.311 | 473225 | 470 | S |
| 1.437 | 2.437 | 2.441 | 0.312 | 474264 | 470 | S |
| 1.437 | 2.441 | 2.451 | 0.374 | ◆4989 | # | S |
| 1.437 | 37 62 | 62.26 9.50 | | | | |
| 1.437 | 2.441 | 2.445 | 0.375 | 481826 | 480 | S |
| 1.437 | 2.502 | 2.508 | 0.311 | 473226 | 470 | S |
| 1.437 | 2.623 | 2.627 | 0.375 | 473437 | 470 | S |
| 1.437 | 2.750 | 2.754 | 0.500 | 470808 | 470 | S |
| 1.437 | 3.000 | 3.005 | 0.500 | 471405 | 470 | S |
| 1.438" | | | | | | |
| 1.438 | 2.000 | 2.011 | 0.125 | 340930 | 340 | S |
| 1.457" 37mm | | | | | | |
| 1.457 | 37 50 | 1.980 50.29 | 0.236 6 | ◆223750→ | 320 | N |
| 1.457 | 37 50.50 | 1.988 50.70 | 0.236 6 | ◆710355→ | 320 | N |
| 1.457 | 37 52 | 2.047 52.15 | 0.236 6 | ◆710149 | # | S |
| 1.457 | 37 52 | 2.053 52.28 | 0.315 8 | ◆375208XX | 350 | S |
| 1.457 | 37 56 | 2.047 56.29 | 0.354 9 | ◆710259↔ | 320 | V |
| 1.457 | 37 58 | 2.283 58.10 | 0.394 10 | ◆710353→ | 660 | S |
| 1.457 | 37 62 | 2.441 62.23 | 0.394 10 | ◆710228 | 400 | S |
| 1.457 | 37 78 | 3.071 78.30 | 0.472 12 | ◆239134 | # | S |
| 1.465" | | | | | | |
| 1.465 | 2.372 | 2.374 | 0.433 | 710426 | # | S |
| 1.468" | | | | | | |
| 1.468 | 2.375 | 2.379 | 0.375 | 473438 | 470 | S |
| 1.468 | 2.437 | 2.441 | 0.375 | 473439 | 470 | S |
| 1.473" | | | | | | |
| 1.473 | 1.971 | 1.979 | 0.562 | 7235S | 320 | S |
| 1.479" | | | | | | |
| 1.479 | 2.563 | 2.567 | 0.470 | 710304 | # | S |
| 1.484" | | | | | | |
| 1.484 | 2.254 | 2.258 | 0.250 | 40468 | 40S | S |
| 1.484 | 2.254 | 2.258 | 0.312 | 50468 | 50S | S |

Special Feature/Application ◆ Metric Seal * Check for Availability

← Left Hand Helix → Right Hand Helix ↔ Bi-Directional Helix

| Shaft | Bore | O.D. | Width | Part Number | Style | Matl | Shaft | Bore | O.D. | Width | Part Number | Style | Matl |
|--------------------|-------|-------|-------|-------------|-------|------|----------------------|-------|-------|-------|-------------|-------|------|
| 1.491" | | | | | | | 1.496 | 2.283 | 2.288 | 0.315 | 223842 | 480 | V |
| 1.491 | 2.191 | 2.197 | 0.250 | 8597S | 480 | S | 1.496 | 2.283 | 2.288 | 0.315 | ◆385808XX | 470 | S |
| 1.496" 38mm | | | | | | | 38 | 58 | 58.11 | 8 | | | |
| 1.496 | 1.969 | 1.978 | 0.236 | ◆223802→ | 320 | N | 1.496 | 2.283 | 2.294 | 0.394 | ◆710139 | # | N |
| 38 | 50 | 50.25 | 6 | | | | 38 | 58 | 58.27 | 10 | | | |
| 1.496 | 1.969 | 1.978 | 0.276 | ◆385007XX | 350 | S | 1.496 | 2.283 | 2.294 | 0.433 | ◆1175 | 320 | S |
| 38 | 50 | 50.25 | 7 | | | | 38 | 58 | 58.27 | 11 | | | |
| 1.496 | 1.969 | 1.980 | 0.315 | ◆223800→ | 320 | N | 1.496 | 2.323 | 2.334 | 0.354 | ◆1038→ | 320 | N |
| 38 | 50 | 50.28 | 8 | | | | 38 | 59 | 59.28 | 9 | | | |
| 1.496 | 1.969 | 1.980 | 0.315 | ◆223801 | 320 | S | 1.496 | 2.362 | 2.370 | 0.315 | ◆386008XX | 320 | S |
| 38 | 50 | 50.29 | 8 | | | | 38 | 60 | 60.20 | 8 | | | |
| 1.496 | 2.047 | 2.058 | 0.236 | ◆1196 | 470 | S | 1.496 | 2.362 | 2.373 | 0.394 | ◆223843 | 350 | S |
| 38 | 52 | 52.27 | 6 | | | | 38 | 60 | 60.27 | 10 | | | |
| 1.496 | 2.047 | 2.053 | 0.236 | ◆3357 | 2830 | S | 1.496 | 2.362 | 2.376 | 0.394 | ◆386010XX | 350 | S |
| 38 | 52 | 52.15 | 6 | | | | 38 | 60 | 60.35 | 10 | | | |
| 1.496 | 2.047 | 2.053 | 0.248 | ◆710309 | # | S | 1.496 | 2.441 | 2.445 | 0.236 | 710224 | 490 | S |
| 38 | 52 | 52.15 | 6.30 | | | | 38 | 62 | 62.28 | 7 | | | |
| 1.496 | 2.047 | 2.058 | 0.276 | ◆1174 | 320 | S | 1.496 | 2.441 | 2.450 | 0.512 | 710209 | # | N |
| 38 | 52 | 52.27 | 7 | | | | 1.496 | 2.480 | 2.487 | 0.394 | ◆2009 | # | N |
| 1.496 | 2.047 | 2.058 | 0.276 | ◆1174S | 320 | S | 38 | 63 | 63.17 | 10 | | | |
| 38 | 52 | 52.27 | 7 | | | | 1.496 | 2.480 | 2.487 | 0.394 | ◆2009S | # | N |
| 1.496 | 2.047 | 2.058 | 0.276 | ◆1966→ | 350 | Y | 38 | 63 | 63.17 | 10 | | | |
| 38 | 52 | 52.27 | 7 | | | | 1.496 | 2.559 | 2.567 | 0.315 | ◆386508XX | 320 | S |
| 1.496 | 2.047 | 2.055 | 0.276 | ◆385207XX | 320 | S | 38 | 65 | 65.20 | 8 | | | |
| 38 | 52 | 52.20 | 7 | | | | 1.496 | 2.559 | 2.567 | 0.315 | 710435 | 320 | S |
| 1.496 | 2.047 | 2.057 | 0.335 | ◆38X52085XX | 320 | S | 38 | 65 | 65.27 | 12 | | | |
| 38 | 52 | 52.25 | 8.50 | | | | 1.496 | 2.559 | 2.570 | 0.472 | ◆1176→ | # | N |
| 1.496 | 2.047 | 2.055 | 0.354 | 239128 | # | S | 38 | 65 | 65.27 | 12 | | | |
| 1.496 | 2.058 | 2.063 | 0.250 | 482415 | 480 | S | 1.496 | 2.559 | 2.570 | 0.472 | ◆1176S→ | # | N |
| 1.496 | 2.087 | 2.098 | 0.276 | ◆1120← | 320 | V | 38 | 65 | 65.27 | 12 | | | |
| 38 | 53 | 53.29 | 7 | | | | 1.496 | 2.677 | 2.685 | 0.315 | ◆386808XX | 320 | S |
| 1.496 | 2.087 | 2.098 | 0.276 | ◆1120S← | 320 | V | 38 | 68 | 68.20 | 8 | | | |
| 38 | 53 | 53.29 | 7 | | | | 1.496 | 2.677 | 2.685 | 0.394 | ◆386810XX | 320 | S |
| 1.496 | 2.087 | 2.094 | 0.315 | ◆385308XX | 320 | S | 38 | 70 | 70.20 | 10 | | | |
| 38 | 53 | 53.20 | 8 | | | | 1.496 | 2.756 | 2.764 | 0.394 | ◆387010XX | 350 | S |
| 1.496 | 2.126 | 2.133 | 0.276 | ◆385407XX | 480 | S | 38 | 70 | 70.20 | 10 | | | |
| 38 | 54 | 54.18 | 7 | | | | 1.496 | 2.835 | 2.843 | 0.394 | ◆387210XX | 350 | S |
| 1.496 | 2.126 | 2.137 | 0.315 | ◆239146← | 480 | S | 38 | 72 | 72.20 | 10 | | | |
| 38 | 54 | 54.28 | 8 | | | | 1.496 | 2.913 | 2.921 | 0.315 | ◆387408XX | 320 | S |
| 1.496 | 2.126 | 2.133 | 0.394 | ◆385410XX | 320 | S | 38 | 74 | 74.20 | 8 | | | |
| 38 | 54 | 54.18 | 10 | | | | 1.496 | 2.913 | 2.920 | 0.433 | ◆1177 | 320 | N |
| 1.496 | 2.126 | 2.130 | 0.984 | 39875 | # | T | 38 | 74 | 74.17 | 11 | | | |
| 1.496 | 2.165 | 2.174 | 0.276 | ◆385507XX | 350 | N | 1.496 | 2.913 | 2.921 | 0.433 | ◆387411XX | 320 | N |
| 38 | 55 | 55.23 | 7 | | | | 38 | 74 | 74.20 | 11 | | | |
| 1.496 | 2.165 | 2.176 | 0.354 | ◆223830 | 350 | N | 1.500" 1 1/2" | | | | | | |
| 38 | 55 | 55.27 | 9 | | | | 1.500 | 1.874 | 1.879 | 0.250 | 253099 | 250 | S |
| 1.496 | 2.165 | 2.176 | 0.354 | ◆223831→ | 320 | N | 1.500 | 1.874 | 1.880 | 0.250 | 343099 | 340 | S |
| 38 | 55 | 55.27 | 9 | | | | 1.500 | 1.875 | - | 0.188 | 710044 | # | S |
| 1.496 | 2.205 | 2.216 | 0.394 | ◆385610XX | 350 | S | 1.500 | 1.938 | 1.942 | 0.250 | 42260S | 40S | S |
| 38 | 56 | 56.28 | 10 | | | | 1.500 | 1.983 | 1.989 | 0.189 | 443018 | 440 | S |
| 1.496 | 2.244 | 1.850 | 0.276 | ◆223805 | 250 | S | 1.500 | 1.983 | 1.987 | 0.250 | 40382 | 40S | S |
| 38 | 57 | 47.00 | 7 | | | | 1.500 | 1.983 | 1.989 | 0.252 | 452554 | 450 | S |
| 1.496 | 2.283 | 2.290 | 0.315 | ◆223840 | 470 | S | 1.500 | 1.983 | 1.989 | 0.252 | 452554N | 450 | N |
| 38 | 58 | 58.17 | 8 | | | | 1.500 | 1.983 | 1.989 | 0.252 | 472554 | 470 | S |

| Shaft | Bore | O.D. | Width | Part Number | Style | Matl | Shaft | Bore | O.D. | Width | Part Number | Style | Matl |
|-------|-------|-------|-------|-------------|-------|------|---------------|-------|-------|-------|---------------|-------|------|
| 1.500 | 1.983 | 1.989 | 0.252 | 474276 | 470 | S | 1.500 | 2.377 | 2.388 | 0.433 | 710441 | # | N |
| 1.500 | 1.989 | 1.995 | 0.250 | 3677 | 2870 | S | 1.500 | 2.437 | 2.441 | 0.250 | 7886S | 480 | S |
| 1.500 | 1.989 | 1.993 | 0.250 | 41257 | 40S | S | 1.500 | 2.437 | 2.441 | 0.375 | 471820 | 470 | S |
| 1.500 | 1.997 | 2.001 | 0.531 | 6759S | 10S | S | 1.500 | 2.438 | 2.444 | 0.250 | 40063S | 40S | S |
| 1.500 | 2.000 | 2.010 | 0.187 | 240319 | 240 | S | 1.500 | 2.441 | 2.447 | 0.313 | 471344 | 470 | S |
| 1.500 | 2.000 | 2.004 | 0.250 | 710023 | # | U | 1.500 | 2.462 | 2.482 | 0.290 | 200861 | 2000E | S |
| 1.500 | 2.000 | 2.011 | 0.252 | 352521 | 350 | S | 1.500 | 2.500 | 2.500 | 0.375 | 710414 | # | T |
| 1.500 | 2.000 | 2.006 | 0.313 | 481163 | 480 | S | 1.500 | 2.502 | 2.508 | 0.311 | 473228 | 470 | S |
| 1.500 | 2.048 | 2.052 | 0.375 | 472466 | 470 | S | 1.500 | 2.502 | 2.508 | 0.311 | 51098 | 480 | S |
| 1.500 | 2.062 | 2.068 | 0.219 | 7537S | 240 | S | 1.500 | 2.502 | 2.508 | 0.375 | 481837 | 480 | S |
| 1.500 | 2.062 | 2.066 | 0.250 | 480630 | 480 | S | 1.500 | 2.502 | 2.506 | 0.375 | 6426 | 40S | S |
| 1.500 | 2.062 | 2.066 | 0.250 | 6545 | 210 | F | 1.500 | 2.502 | 2.506 | 0.437 | 480067 | 480 | S |
| 1.500 | 2.062 | 2.066 | 0.375 | 480991 | 480 | S | 1.500 | 2.502 | 2.508 | 0.500 | 450067 | 450 | S |
| 1.500 | 2.062 | 2.068 | 0.438 | 470451 | 470 | S | 1.500 | 2.561 | 2.565 | 0.500 | 410190 | 410 | S |
| 1.500 | 2.125 | 2.131 | 0.311 | 470394 | 470 | S | 1.500 | 2.561 | 2.565 | 0.500 | 470190 | 470 | S |
| 1.500 | 2.125 | 2.131 | 0.311 | 473227 | 470 | S | 1.500 | 2.623 | 2.627 | 0.500 | 451857 | 450 | S |
| 1.500 | 2.125 | 2.131 | 0.311 | 473227V | 470 | V | 1.500 | 2.686 | 2.690 | 0.500 | 470487 | 470 | S |
| 1.500 | 2.125 | 2.131 | 0.437 | 350394 | 350 | S | 1.500 | 2.686 | 2.690 | 0.500 | 470487N | 470 | N |
| 1.500 | 2.187 | 2.187 | 0.500 | 6312 | 80S | S | 1.500 | 2.716 | 2.720 | 0.468 | 450984 | 450 | S |
| 1.500 | 2.192 | 2.196 | 0.250 | 43078S | 40S | S | 1.500 | 2.750 | 2.754 | 0.312 | 473440 | 470 | S |
| 1.500 | 2.222 | 2.226 | 0.312 | 480844 | 480 | S | 1.500 | 2.750 | 2.754 | 0.500 | 450461 | 450 | S |
| 1.500 | 2.250 | 2.258 | 0.250 | 340136 | 340 | S | 1.500 | 2.758 | 2.763 | 0.312 | 474281 | 470 | S |
| 1.500 | 2.250 | 2.256 | 0.311 | 470548 | 470 | S | 1.500 | 2.758 | 2.762 | 0.500 | 470077 | 470 | S |
| 1.500 | 2.250 | 2.256 | 0.311 | 470625 | 470 | S | 1.500 | 2.835 | 2.839 | 0.468 | 471915 | 470 | S |
| 1.500 | 2.250 | 2.256 | 0.311 | 470625A | 470 | A | 1.500 | 2.875 | 2.879 | 0.468 | 450523 | 450 | S |
| 1.500 | 2.250 | 2.256 | 0.311 | 470625V | 470 | V | 1.500 | 2.996 | 3.001 | 0.500 | 450326 | 450 | S |
| 1.500 | 2.250 | 2.256 | 0.311 | 5115 | 470 | S | 1.500 | 3.000 | 3.006 | 0.374 | 471958 | 470 | S |
| 1.500 | 2.250 | 2.260 | 0.312 | 322373 | 320 | S | 1.500 | 3.149 | 3.155 | 0.438 | 472446 | 470 | S |
| 1.500 | 2.250 | 2.524 | 0.312 | 480625V | 480 | V | 1.500 | 3.189 | 3.194 | 0.437 | 450540 | 450 | S |
| 1.500 | 2.250 | 2.256 | 0.313 | 331228H→ | 750 | N | 1.500 | 3.543 | 3.550 | 0.375 | 455308 | 450 | S |
| 1.500 | 2.250 | 2.256 | 0.313 | 453065 | 450 | S | | | | | | | |
| 1.500 | 2.250 | 2.256 | 0.375 | 450548 | 450 | S | 1.502" | | | | 1 1/2" | | |
| 1.500 | 2.250 | 2.254 | 0.375 | 710012 | # | U | 1.502 | 2.126 | 2.132 | 0.492 | 4530← | 960 | N |
| 1.500 | 2.250 | 2.253 | 0.500 | 710020 | # | U | 1.502 | 2.377 | 2.381 | 0.500 | 4583← | 860 | N |
| 1.500 | 2.256 | - | .270 | 200859 | 2000 | S | 1.502 | 2.378 | 2.384 | 0.469 | 9613S← | 710 | S |
| 1.500 | 2.260 | 2.264 | 0.405 | 9363S | 410 | S | | | | | | | |
| 1.500 | 2.311 | 2.315 | 0.500 | 712023 | # | V | 1.503" | | | | 1 1/2" | | |
| 1.500 | 2.327 | 2.333 | 0.406 | 203013 | 2030 | S | 1.503 | 2.374 | 2.379 | 0.374 | 4934 | 790 | N |
| 1.500 | 2.327 | 2.333 | 0.406 | 204013 | 2040 | S | 1.503 | 2.376 | 2.383 | 0.420 | 4370N← | 880 | N |
| 1.500 | 2.328 | 2.332 | 0.437 | 472591 | 470 | S | | | | | | | |
| 1.500 | 2.372 | 2.376 | 0.420 | 2194← | 880 | N | 1.504" | | | | 1 1/2" | | |
| 1.500 | 2.372 | 2.378 | 0.813 | 7692S← | 790 | S | 1.504 | 1.937 | 1.950 | 0.475 | 710247← | # | N |
| 1.500 | 2.374 | 2.380 | 0.311 | 410059 | 410 | S | | | | | | | |
| 1.500 | 2.374 | 2.380 | 0.311 | 470380 | 470 | S | | | | | | | |
| 1.500 | 2.374 | 2.380 | 0.311 | 470380A | 470 | A | | | | | | | |
| 1.500 | 2.374 | 2.380 | 0.311 | 470380V | 470 | V | | | | | | | |
| 1.500 | 2.374 | - | 0.313 | 10059S | 470 | S | 1.516" | | | | | | |
| 1.500 | 2.374 | 2.380 | 0.313 | 450059 | 450 | S | 1.516 | 2.087 | 2.096 | 0.315 | 710233→ | 320 | N |
| 1.500 | 2.374 | 2.380 | 0.313 | 470059 | 470 | S | 1.516 | 2.283 | 2.291 | 0.335 | 710318 | 320 | N |
| 1.500 | 2.377 | 2.629 | 0.311 | 472189A← | 470 | S | | | | | | | |

| Shaft | Bore | O.D. | Width | Part Number | Style | Matl |
|------------------------|-------|-------|-------|-------------|-------|------|
| 1.521" | | | | | | |
| 1.521 | 2.656 | 2.662 | 0.424 | 8611N | 740 | S |
| 1.523" | | | | | | |
| 1.523 | 2.714 | 2.720 | 0.500 | 8940S | 480 | S |
| 1.524" | | | | | | |
| 1.524 | 2.656 | 2.662 | 0.391 | 8610→ | 740 | S |
| 1.531" 1 17/32" | | | | | | |
| 1.531 | 2.374 | 2.378 | 0.375 | 452222 | 450 | S |
| 1.531 | 2.374 | 2.379 | 0.375 | 472222 | 470 | S |
| 1.535" | | | | | | |
| 1.535 | 1.969 | 1.980 | 0.433 | 710120 | # | N |
| 1.535 | 1.984 | 1.991 | 0.335 | ◆1126 | 250 | S |
| 39 | 50.40 | 50.57 | 8.50 | | | |
| 1.535 | 1.984 | 1.991 | 0.335 | ◆1126S | 250 | S |
| 39 | 50.40 | 50.57 | 8.50 | | | |
| 1.535 | 2.000 | 2.008 | 0.295 | 1128S | 350 | S |
| 1.535 | 2.047 | 2.053 | 0.248 | ◆1205 | 470 | S |
| 39 | 52 | 52.15 | 6.30 | | | |
| 1.535 | 2.047 | 2.053 | 0.248 | ◆1205N | 470 | S |
| 39 | 52 | 52.15 | 6.30 | | | |
| 1.535 | 2.047 | 2.053 | 0.248 | ◆710338 | 660 | S |
| 39 | 52 | 52.15 | 6.30 | | | |
| 1.535 | 2.244 | 2.259 | 0.380 | 324204 | 320 | V |
| 1.535 | 2.244 | 2.255 | 0.433 | ◆710123 | 400 | N |
| 39 | 57 | 57.28 | 11 | | | |
| 1.535 | 2.244 | 2.255 | 0.610 | ◆710122 | 400 | N |
| 39 | 57 | 57.28 | 15.50 | | | |
| 1.535 | 2.323 | 2.334 | 0.433 | 710214 | 400 | N |
| 1.535 | 2.323 | 2.334 | 0.669 | ◆710118 | 400 | S |
| 39 | 59 | 59.28 | 17 | | | |
| 1.550" | | | | | | |
| 1.550 | 2.669 | 2.675 | 0.500 | 8695L | 50S | S |
| 1.550 | 2.669 | 2.675 | 0.500 | 8695S | 470 | S |
| 1.552" | | | | | | |
| 1.552 | 2.447 | 2.452 | 0.500 | 710046→ | 860 | S |
| 1.552 | 2.502 | 2.506 | 0.500 | 472635 | 470 | S |
| 1.552 | 2.750 | 2.755 | 0.590 | 4244 | 720 | S |
| 1.552 | 3.160 | 3.165 | 0.608 | 4941V | # | V |
| 1.552 | 3.160 | 3.167 | 0.608 | 5778 | 720 | N |
| 1.552 | 3.160 | 3.167 | 0.608 | 5778V | 720 | V |

| Shaft | Bore | O.D. | Width | Part Number | Style | Matl |
|-----------------------|-------|-------|-------|-------------|-------|------|
| 1.558" | | | | | | |
| 1.558 | 2.250 | 2.254 | 1.520 | 8935S | 790 | S |
| 1.562" 1 9/16" | | | | | | |
| 1.562 | 2.061 | 2.275 | 0.338 | 1195 | 320 | S |
| 1.562 | 2.062 | 2.067 | 0.188 | 39920 | TFW-H | T |
| 1.562 | 2.062 | 2.066 | 0.250 | 330749V | 330 | V |
| 1.562 | 2.096 | 2.102 | 0.250 | 340927 | 340 | S |
| 1.562 | 2.125 | 2.129 | 0.375 | 39711 | TFW-H | T |
| 1.562 | 2.125 | 2.129 | 0.375 | 473517 | 470 | S |
| 1.562 | 2.237 | 2.257 | 0.290 | 200887 | 2000E | S |
| 1.562 | 2.374 | 2.378 | 0.250 | 40438S | 40S | S |
| 1.563 | 2.374 | 2.380 | 0.311 | 472299V | 470 | V |
| 1.562 | 2.441 | 2.445 | 0.375 | 471827 | 470 | S |
| 1.562 | 2.441 | 2.445 | 0.500 | 8160S | 320 | S |
| 1.562 | 2.441 | 2.445 | 0.781 | 10684S | 10S | S |
| 1.562 | 2.502 | 2.506 | 0.250 | 40185 | 40S | S |
| 1.562 | 2.502 | 2.506 | 0.312 | 711552 | 470 | N |
| 1.562 | 2.531 | 2.621 | 0.285 | 200640 | 2000E | S |
| 1.562 | 2.531 | 2.621 | 0.285 | 200640S | 200E | S |
| 1.562 | 2.561 | 2.565 | 0.500 | 450143 | 450 | S |
| 1.562 | 2.684 | 2.701 | 0.250 | 6336S | 260 | S |
| 1.562 | 2.686 | 2.690 | 0.375 | 5796 | 2010 | S |
| 1.562 | 2.716 | 2.720 | 0.468 | 450803 | 450 | S |
| 1.562 | 2.750 | 2.754 | 0.500 | 470109N | 470 | N |
| 1.562 | 2.758 | 2.762 | 0.500 | 450273 | 450 | S |
| 1.562 | 3.150 | 3.155 | 0.312 | 473490 | 470 | S |
| 1.563" 1 9/16" | | | | | | |
| 1.563 | 2.062 | 2.068 | 0.203 | 7994S | 440 | S |
| 1.563 | 2.063 | 2.069 | 0.250 | 8421S | 330 | S |
| 1.563 | 2.250 | 2.256 | 0.311 | 472213 | 470 | S |
| 1.563 | 2.311 | 2.322 | 0.374 | ◆1873→ | 350 | S |
| 40 | 58.70 | 58.98 | 9.50 | | | |
| 1.563 | 2.372 | 2.378 | 0.335 | 2506← | 790 | S |
| 1.563 | 2.374 | 2.380 | 0.311 | 472299 | 470 | S |
| 1.563 | 2.438 | 2.444 | 0.375 | 470064 | 470 | S |
| 1.563 | 2.438 | 2.444 | 0.375 | 471821 | 470 | S |
| 1.563 | 2.502 | 2.508 | 0.311 | 450185 | 450 | S |
| 1.563 | 2.502 | 2.508 | 0.311 | 473229 | 470 | S |
| 1.563 | 2.623 | 2.629 | 0.313 | 470682 | 470 | S |
| 1.563 | 2.686 | 2.692 | 0.313 | 471316 | 470 | S |
| 1.563 | 2.750 | 2.756 | 0.375 | 473441 | 470 | S |
| 1.565" | | | | | | |
| 1.565 | 2.372 | 2.383 | 0.394 | 710198 | # | S |

| Shaft | Bore | O.D. | Width | Part Number | Style | Matl |
|--------------------|---------------|----------------|---------------|-------------|-------|------|
| 1.567" 40mm | | | | | | |
| 1.567 40 | 2.205 56 | 2.216 56.29 | 0.315 8 | ◆224025→ | 320 | N |
| 1.574" 40mm | | | | | | |
| 1.574 | 2.410 | 2.415 | 0.540 | 714569 | # | V |
| 1.574 | 2.676 | 2.683 | 0.500 | 4141 | # | N |
| 1.575" 40mm | | | | | | |
| 1.575 40 | 0.101 2.56 | 2.559 65.00 | 0.374 9.50 | ◆474161 | 470 | S |
| 1.575 40 | 1.969 50 | 1.976 50.20 | 0.315 8 | ◆405008XX | 350 | S |
| 1.575 40 | 2.047 52 | 2.057 52.25 | 0.236 6 | ◆1178 | 320 | S |
| 1.575 40 | 2.047 52 | 2.057 52.25 | 0.236 6 | ◆1178S | 320 | S |
| 1.575 40 | 2.047 52 | 2.058 52.27 | 0.236 6 | ◆224015→ | 320 | S |
| 1.575 40 | 2.047 52 | 2.058 52.27 | 0.236 6 | ◆710308→ | 320 | S |
| 1.575 40 | 2.047 52 | 2.053 52.15 | 0.276 7 | ◆1217 | 350 | N |
| 1.575 40 | 2.047 52 | 2.053 52.15 | 0.276 7 | ◆1962 | 780 | S |
| 1.575 40 | 2.047 52 | 2.053 52.15 | 0.276 7 | ◆224010 | 350 | S |
| 1.575 40 | 2.047 52 | 2.058 52.27 | 0.276 7 | ◆224052→ | 320 | H |
| 1.575 40 | 2.047 52 | 2.057 52.25 | 0.276 7 | ◆405207XX | 350 | S |
| 1.575 40 | 2.047 52 | 2.055 52.20 | 0.354 9 | ◆4175 | # | S |
| 1.575 40 | 2.047 52 | 2.058 52.27 | 0.591 15 | ◆239201 | 320 | S |
| 1.575 40 | 2.126 54 | 2.132 54.15 | 0.209 5.30 | ◆1213 | 470 | S |
| 1.575 40 | 2.126 54 | 2.132 54.15 | 0.209 5.30 | ◆1213N | 470 | S |
| 1.575 40 | 2.126 54 | 2.132 54.15 | 0.209 5.30 | ◆1213S | 470 | S |
| 1.575 40 | 2.126 54 | 2.134 54.20 | 0.217 5.50 | ◆405406XX | 470 | S |
| 1.575 40 | 2.126 54 | 2.132 54.15 | 0.236 6 | ◆710311 | 250 | S |
| 1.575 40 | 2.126 54 | 2.137 54.28 | 0.236 6 | ◆710444← | 320 | S |
| 1.575 40 | 2.126 55 | 2.134 55.17 | 0.394 8 | 710287 | 320 | N |
| 1.575 40 | 2.161 55 | 2.165 55.20 | 0.512 6.50 | 710443 | # | N |
| 1.575 40 | 2.165 55 | 2.173 55.27 | 0.256 8 | ◆405506XX | 350 | S |
| 1.575 40 | 2.165 55 | 2.176 55.27 | 0.315 8 | ◆224020→ | 320 | S |
| 1.575 40 | 2.165 55 | 2.172 55.17 | 0.315 8 | ◆3392 | 470 | S |

| Shaft | Bore | O.D. | Width | Part Number | Style | Matl |
|-------------|----------------|----------------|-------------|-------------|-------|------|
| 1.575 40 | 2.165 55 | 2.176 55.28 | 0.315 8 | ◆405508XX | 350 | S |
| 1.575 40 | 2.165 55 | 2.176 55.27 | 0.315 8 | ◆473677 | 470 | S |
| 1.575 40 | 2.185 55.50 | 2.191 55.65 | 0.354 9 | ◆710300 | # | S |
| 1.575 40 | 2.205 56 | 2.213 56.20 | 0.276 7 | ◆405607XX | 320 | S |
| 1.575 40 | 2.205 56 | 2.216 56.29 | 0.315 8 | ◆712551 | 320 | S |
| 1.575 40 | 2.205 56 | 2.216 56.29 | 0.354 9 | ◆224026↔ | 350 | V |
| 1.575 40 | 2.244 57 | 2.252 57.20 | 0.394 10 | ◆405710XX | 320 | S |
| 1.575 40 | 2.244 58 | 2.252 58.20 | 0.394 8 | 710432 | 320 | S |
| 1.575 40 | 2.283 58 | 2.291 58.20 | 0.315 8 | ◆405808XX | 350 | S |
| 1.575 40 | 2.283 58 | 2.290 58.17 | 0.354 9 | ◆3459↔ | 740 | N |
| 1.575 40 | 2.283 58 | 2.290 58.17 | 0.354 9 | ◆3459S↔ | 740 | N |
| 1.575 40 | 2.283 58 | 2.294 58.28 | 0.394 10 | ◆405810XX | 320 | S |
| 1.575 40 | 2.362 60 | 2.368 60.15 | 0.315 8 | ◆710147 | # | S |
| 1.575 40 | 2.362 60 | 2.373 60.27 | 0.394 10 | ◆224040 | 350 | S |
| 40 | 60 | 60.20 | 10 | | | |
| 1.575 40 | 2.441 62 | 2.449 62.20 | 0.276 7 | ◆406207XX | 350 | S |
| 1.575 40 | 2.441 62 | 2.451 62.25 | 0.315 8 | ◆406208XX | 320 | S |
| 1.575 40 | 2.441 62 | 2.449 62.20 | 0.354 9 | ◆710131 | # | S |
| 1.575 40 | 2.441 62 | 2.452 62.28 | 0.394 11 | 710196 | 320 | V |
| 1.575 40 | 2.441 62 | 2.452 62.28 | 0.433 11 | ◆224045 | 320 | S |
| 40 | 62 | 62.25 | 11.50 | | | |
| 1.575 40 | 2.480 63 | 2.491 63.27 | 0.315 8 | ◆224063→ | 320 | N |
| 1.575 40 | 2.520 64 | 2.526 64.16 | 0.472 12 | ◆1216 | 740 | N |
| 1.575 40 | 2.520 64 | 2.526 64.16 | 0.472 12 | ◆1216N | 740 | N |
| 1.575 40 | 2.520 64 | 2.526 64.16 | 0.472 12 | ◆710326 | 660 | S |
| 1.575 40 | 2.559 65 | 2.565 65.15 | 0.394 10 | ◆224100 | 350 | S |
| 1.575 40 | 2.559 65 | 2.570 65.28 | 0.394 10 | ◆406510XX | 350 | S |
| 1.575 40 | 2.598 66 | 2.609 66.27 | 0.315 8 | ◆224066→ | 400 | N |
| 1.575 40 | 2.677 68 | 2.709 68.80 | 0.315 8 | ◆406808XX | 350 | S |
| 1.575 40 | 2.677 68 | 2.681 68.25 | 0.354 12 | 224068 | 400 | N |
| 1.575 40 | 2.677 68 | 2.687 68.25 | 0.472 12 | ◆406812XX | 350 | S |

| Shaft | Bore | O.D. | Width | Part Number | Style | Matl |
|-----------------------------|-------------|----------------|----------------|-------------|-------|------|
| 1.575 40 | 2.756 70 | 2.764 70.20 | 0.315 8 | ◆407008XX | 320 | S |
| 1.575 40 | 2.835 72 | 2.844 72.24 | 0.276 7 | ◆350572 | 350 | V |
| 1.575 40 | 2.835 72 | 2.848 72.35 | 0.276 7 | ◆407207XX | 350 | S |
| 1.575 40 | 2.874 73 | 2.878 73.10 | 0.492 12.50 | ◆710284 | # | N |
| 1.575 40 | 2.913 74 | 2.918 74.12 | 0.394 10 | ◆474133 | 470 | S |
| <hr/> | | | | | | |
| 1.575 40 | 2.953 75 | 2.959 75.16 | 0.472 12 | ◆2011→ | 400 | N |
| 1.575 40 | 2.953 75 | 2.959 75.16 | 0.472 12 | ◆2011S→ | 400 | N |
| 1.575 40 | 2.953 75 | 2.965 75.20 | 0.472 12 | 710113 | # | S |
| 1.575 40 | 2.953 75 | 2.961 75.20 | 0.472 12 | ◆712011 | 320 | S |
| 1.575 40 | 2.953 75 | 2.964 75.29 | 0.472 12 | ◆712020← | 320 | N |
| <hr/> | | | | | | |
| 1.575 40 | 2.992 76 | 3.003 76.28 | 0.354 9 | ◆1036→ | 400 | N |
| 1.575 40 | 2.992 76 | 3.003 76.28 | 0.354 9 | ◆1146← | 320 | N |
| 1.575 40 | 2.992 76 | 3.003 76.28 | 0.354 9 | ◆1146S← | 320 | N |
| 1.575 40 | 3.071 78 | 3.102 78.80 | 0.315 8 | ◆407808XX | 320 | S |
| 1.575 40 | 3.071 78 | 3.079 78.20 | 0.394 10 | ◆407810XX | 350 | S |
| <hr/> | | | | | | |
| 1.575 40 | 3.150 80 | 3.161 80.28 | 0.394 10 | ◆408010XX | 350 | S |
| 1.575 40 | 3.543 90 | 3.551 90.20 | 0.315 8 | ◆409008XX | 350 | S |
| <hr/> | | | | | | |
| 1.578" | | | | | | |
| 1.578 | 2.000 | 2.004 | 0.250 | 43074S | 40S | S |
| <hr/> | | | | | | |
| 1.593" 1 19/32" | | | | | | |
| 1.593 | 2.437 | 2.441 | 0.468 | 450065 | 450 | S |
| 1.593 | 2.502 | 2.506 | 0.250 | 482253 | 480 | S |
| 1.593 | 2.623 | 2.627 | 0.340 | 451469 | 450 | S |
| 1.593 | 2.758 | 2.762 | 0.500 | 450274 | 450 | S |
| <hr/> | | | | | | |
| 1.594" | | | | | | |
| 1.594 | 2.067 | 2.075 | 0.236 | 710436 | 350 | N |
| 1.594 | 2.125 | 2.129 | 0.250 | 480581 | 480 | S |
| 1.594 | 2.283 | 2.293 | 0.315 | 710140 | 320 | S |
| <hr/> | | | | | | |
| 1.598" | | | | | | |
| 1.598 | 2.476 | 2.483 | 0.420 | 4764← | 860 | N |
| <hr/> | | | | | | |
| 1.605" | | | | | | |
| 1.605 | 2.374 | 2.386 | 0.375 | 1192 | 320 | S |

| Shaft | Bore | O.D. | Width | Part Number | Style | Matl |
|---------------------------|-------------|----------------|-------------|-------------|-------|------|
| 1.605 | 2.795 | 2.804 | 0.364 | 4674N↔ | # | N |
| <hr/> | | | | | | |
| 1.610" | | | | | | |
| 1.610 | 2.500 | 2.531 | 0.300 | 6283S | 260 | S |
| <hr/> | | | | | | |
| 1.614" 41mm | | | | | | |
| 1.614 41 | 2.087 53 | 2.093 53.16 | 0.276 7 | ◆1950 | 410 | S |
| 1.614 | 2.126 | 2.135 | 0.276 | 224150 | 350 | N |
| 1.614 41 | 2.165 55 | 2.172 55.17 | 0.236 6 | ◆1180 | 320 | S |
| 1.614 41 | 2.165 55 | 2.172 55.17 | 0.236 6 | ◆1180S | 320 | S |
| 1.614 41 | 2.165 55 | 2.177 55.29 | 0.276 7 | ◆415507XX | 320 | S |
| <hr/> | | | | | | |
| 1.614 41 | 2.205 56 | 2.211 56.16 | 0.276 7 | ◆1181 | 350 | S |
| 1.614 41 | 2.205 56 | 2.215 56.25 | 0.276 7 | ◆415607XX | 350 | S |
| 1.614 41 | 2.323 59 | 2.334 59.28 | 0.394 10 | ◆710114→ | 980 | N |
| 1.614 | 2.402 | 2.409 | 0.394 | 710141 | # | N |
| 1.614 | 2.435 | 2.441 | 0.300 | 2658 | 750 | H |
| <hr/> | | | | | | |
| 1.614 41 | 2.441 62 | 2.450 62.23 | 0.354 9 | ◆710220→ | 320 | N |
| 1.614 41 | 2.480 63 | 2.488 63.20 | 0.354 9 | ◆710291← | 400 | N |
| 1.614 | 2.677 | 2.685 | 0.512 | 710402 | # | S |
| <hr/> | | | | | | |
| 1.618" | | | | | | |
| 1.618 | 2.000 | 2.004 | 0.235 | 484206 | 480 | S |
| 1.618 | 2.575 | 2.581 | 0.489 | 8835S↔ | 330 | S |
| 1.618 | 2.841 | 2.847 | 0.500 | 4762N↔ | 740 | N |
| <hr/> | | | | | | |
| 1.625" 1 5/8" | | | | | | |
| 1.625 | 2.000 | 2.004 | 0.250 | 473694 | 470 | S |
| 1.625 | 2.116 | 2.127 | 0.312 | 324939 | 320 | S |
| 1.625 | 2.116 | 2.120 | 0.312 | 472419 | 470 | S |
| 1.625 | 2.125 | 2.131 | 0.252 | 481181 | 480 | S |
| 1.625 | 2.125 | 2.131 | 0.252 | 481181N | 480 | N |
| <hr/> | | | | | | |
| 1.625 | 2.250 | 2.256 | 0.311 | 1999 | 480 | S |
| 1.625 | 2.250 | 2.256 | 0.311 | 473230 | 470 | S |
| 1.625 | 2.250 | 2.254 | 0.312 | 483230V | 480 | V |
| 1.625 | 2.282 | 2.286 | 0.313 | 710204 | 480 | S |
| 1.625 | 2.328 | 2.327 | 0.406 | 205017 | 2050 | F |
| <hr/> | | | | | | |
| 1.625 | 2.328 | 2.334 | 0.437 | 204017 | 2040 | S |
| 1.625 | 2.328 | 2.332 | 0.437 | 473117 | 470 | S |
| 1.625 | 2.374 | 2.380 | 0.311 | 450358 | 450 | S |
| 1.625 | 2.374 | 2.380 | 0.311 | 453341 | 450 | S |
| 1.625 | 2.374 | 2.380 | 0.311 | 470358 | 470 | S |
| <hr/> | | | | | | |
| 1.625 | 2.374 | 2.380 | 0.311 | 470358N | 470 | N |

| Shaft | Bore | O.D. | Width | Part Number | Style | Matl |
|---------------|-------|-------|-------|-------------|-------|------|
| 1.625 | 2.374 | 2.380 | 0.311 | 473231 | 470 | S |
| 1.625 | 2.374 | 2.380 | 0.311 | 473231A | 470 | A |
| 1.625 | 2.374 | 2.380 | 0.311 | 710358 | 450 | N |
| 1.625 | 2.374 | 2.380 | 0.311 | 710358N | 480 | S |
| <hr/> | | | | | | |
| 1.625 | 2.410 | 2.440 | 0.361 | 710102 | # | S |
| 1.625 | 2.415 | 2.440 | 0.500 | 4143 | # | N |
| 1.625 | 2.437 | 2.441 | 0.312 | 473367 | 470 | S |
| 1.625 | 2.437 | 2.441 | 0.312 | 483367V | 480 | V |
| 1.625 | 2.438 | 2.444 | 0.375 | 450066 | 450 | S |
| <hr/> | | | | | | |
| 1.625 | 2.438 | 2.444 | 0.375 | 470066 | 470 | S |
| 1.625 | 2.438 | 2.444 | 0.375 | 471419 | 470 | S |
| 1.625 | 2.438 | 2.444 | 0.375 | 471829 | 470 | S |
| 1.625 | 2.438 | 2.444 | 0.375 | 471829V | 470 | V |
| 1.625 | 2.441 | 2.444 | 0.500 | 710063 | # | N |
| <hr/> | | | | | | |
| 1.625 | 2.462 | - | .250 | 200641 | 2000E | S |
| 1.625 | 2.502 | 2.506 | 0.250 | 472758V | 470 | V |
| 1.625 | 2.502 | 2.508 | 0.311 | 450194 | 450 | S |
| 1.625 | 2.502 | 2.508 | 0.311 | 473010 | 470 | S |
| 1.625 | 2.502 | 2.508 | 0.311 | 473010A | 470 | A |
| <hr/> | | | | | | |
| 1.625 | 2.502 | 2.508 | 0.311 | 473010N | 470 | N |
| 1.625 | 2.562 | 2.568 | 0.252 | 204500 | 40S | S |
| 1.625 | 2.562 | 2.566 | 0.375 | 291099 | 290 | F |
| 1.625 | 2.562 | 2.565 | 0.375 | 474216 | 470 | S |
| 1.625 | 2.562 | 2.566 | 0.437 | 4763S | # | S |
| <hr/> | | | | | | |
| 1.625 | 2.623 | 2.629 | 0.311 | 473232 | 470 | S |
| 1.625 | 2.623 | 2.629 | 0.313 | 450069 | 450 | S |
| 1.625 | 2.625 | 2.629 | 0.250 | 40568S | 40S | S |
| 1.625 | 2.625 | 2.629 | 0.500 | 50568 | 50S | T |
| 1.625 | 2.625 | 2.629 | 0.500 | 50569 | 50S | T |
| <hr/> | | | | | | |
| 1.625 | 2.686 | 2.692 | 0.313 | 481864 | 480 | S |
| 1.625 | 2.722 | 2.727 | 0.406 | 5727 | 2050 | F |
| 1.625 | 2.750 | 2.754 | 0.250 | 40286 | 40S | S |
| 1.625 | 2.750 | 2.754 | 0.312 | 474274 | 470 | S |
| 1.625 | 2.750 | 2.754 | 0.375 | 473443 | 470 | S |
| <hr/> | | | | | | |
| 1.625 | 2.750 | 2.754 | 0.500 | 470286 | 470 | S |
| 1.625 | 2.758 | 2.762 | 0.500 | 450275 | 450 | S |
| 1.625 | 2.835 | 2.839 | 0.468 | 450819 | 450 | S |
| 1.625 | 2.875 | 2.881 | 0.313 | 450078 | 450 | S |
| 1.625 | 2.875 | 2.881 | 0.313 | 473444 | 470 | S |
| <hr/> | | | | | | |
| 1.625 | 2.875 | 2.881 | 0.313 | 473444V | 470 | V |
| 1.625 | 2.875 | 2.879 | 0.437 | 471923N | 470 | N |
| 1.625 | 2.996 | 3.001 | 0.500 | 450415 | 450 | S |
| 1.625 | 2.999 | 3.005 | 0.313 | 450539 | 450 | S |
| 1.625 | 3.000 | 3.004 | 0.312 | 414268 | 410 | S |
| <hr/> | | | | | | |
| 1.625 | 3.062 | 3.066 | 0.500 | 450335 | 450 | S |
| 1.625 | 3.251 | 3.256 | 0.500 | 450467 | 450 | S |
| <hr/> | | | | | | |
| 1.627" | | | | | | |
| <hr/> | | | | | | |
| 1.627 | 2.125 | 2.131 | 0.342 | 710202 | 680 | S |

| Shaft | Bore | O.D. | Width | Part Number | Style | Matl |
|---------------|-------|-------|-------|-------------|-------|------|
| 1.627 | 2.277 | 2.283 | 0.342 | 710241 | 680 | S |
| <hr/> | | | | | | |
| 1.645" | | | | | | |
| <hr/> | | | | | | |
| 1.645 | 2.656 | 2.660 | 0.406 | 8620N | 470 | N |
| <hr/> | | | | | | |
| 1.650" | | | | | | |
| <hr/> | | | | | | |
| 1.650 | 2.205 | 2.216 | 0.276 | 710386→ | 320 | H |
| 1.650 | 2.282 | 2.336 | 0.768 | 3083 | 480 | H |
| <hr/> | | | | | | |
| 1.654" | | | | | | |
| <hr/> | | | | | | |
| 42mm | | | | | | |
| <hr/> | | | | | | |
| 1.654 | 2.165 | 2.172 | 0.236 | ◆224200 | 320 | S |
| 42 | 55 | 55.17 | 6 | | | |
| 1.654 | 2.165 | 2.172 | 0.236 | ◆224200S | 320 | S |
| 42 | 55 | 55.17 | 6 | | | |
| 1.654 | 2.165 | 2.172 | 0.236 | ◆224210 | 350 | S |
| 42 | 55 | 55.17 | 6 | | | |
| 1.654 | 2.165 | 2.173 | 0.276 | ◆425507XX | 320 | S |
| 42 | 55 | 55.20 | 7 | | | |
| 1.654 | 2.165 | 2.178 | 0.315 | ◆224205→ | 320 | N |
| 42 | 55 | 55.33 | 8 | | | |
| <hr/> | | | | | | |
| 1.654 | 2.165 | 2.176 | 0.315 | ◆3051→ | 330 | H |
| 42 | 55 | 55.27 | 8 | | | |
| 1.654 | 2.165 | 2.176 | 0.315 | ◆3051N→ | 330 | H |
| 42 | 55 | 55.27 | 8 | | | |
| 1.654 | 2.165 | 2.176 | 0.315 | ◆425508XX | 350 | S |
| 42 | 55 | 55.28 | 8 | | | |
| 1.654 | 2.165 | 2.172 | 0.354 | ◆1214 | 470 | S |
| 42 | 55 | 55.17 | 9 | | | |
| 1.654 | 2.165 | 2.172 | 0.354 | ◆1214N | 470 | S |
| 42 | 55 | 55.17 | 9 | | | |
| <hr/> | | | | | | |
| 1.654 | 2.205 | 2.213 | 0.276 | ◆224220 | 490 | S |
| 42 | 56 | 56.21 | 7 | | | |
| 1.654 | 2.205 | 2.218 | 0.276 | ◆3774→ | 350 | H |
| 42 | 56 | 56.34 | 7 | | | |
| 1.654 | 2.205 | 2.218 | 0.276 | ◆3774S→ | 350 | H |
| 42 | 56 | 56.34 | 7 | | | |
| 1.654 | 2.205 | 2.210 | 0.276 | ◆425607XX | 320 | S |
| 42 | 56 | 56.13 | 7 | | | |
| 1.654 | 2.205 | 2.216 | 0.276 | ◆710097 | # | S |
| 42 | 56 | 56.29 | 7 | | | |
| <hr/> | | | | | | |
| 1.654 | 2.205 | 2.209 | 0.551 | 710221 | # | N |
| 1.654 | 2.213 | 2.224 | 0.236 | ◆494117 | 490 | S |
| 42 | 56.20 | 56.49 | 6 | | | |
| 1.654 | 2.216 | 2.222 | 0.315 | 710186 | # | S |
| 1.654 | 2.224 | 2.232 | 0.315 | 710244 | # | S |
| 1.654 | 2.283 | 2.287 | 0.276 | ◆425807XX | 480 | S |
| 42 | 58 | 58.10 | 7 | | | |
| <hr/> | | | | | | |
| 1.654 | 2.283 | 2.290 | 0.276 | 474241V→ | 470 | V |
| 1.654 | 2.283 | 2.290 | 0.354 | ◆224235 | 480 | S |
| 42 | 58 | 58.17 | 9 | | | |
| 1.654 | 2.283 | 2.294 | 0.374 | ◆224215← | 320 | N |
| 42 | 58 | 58.27 | 9.50 | | | |
| 1.654 | 2.323 | 2.329 | 0.303 | ◆710442→ | 480 | N |
| 42 | 59 | 59.16 | 7.70 | | | |

| Shaft | Bore | O.D. | Width | Part Number | Style | Matl |
|-------------|----------------|----------------|----------------|-------------|-------|------|
| 1.654 42 | 2.362 60 | 2.373 60.27 | 0.276 7 | ◆1953 | 320 | N |
| 1.654 42 | 2.362 60 | 2.373 60.27 | 0.276 7 | ◆1953S | 320 | N |
| 1.654 42 | 2.362 60 | 2.373 60.27 | 0.276 7 | ◆2025 | 320 | V |
| 1.654 42 | 2.362 60 | 2.371 60.22 | 0.276 7 | ◆426007XX | 320 | S |
| 1.654 42 | 2.441 62 | 2.452 62.28 | 0.276 7 | ◆224252 | 320 | S |
| 1.654 | 2.441 | 2.449 | 0.276 | 710301 | 970 | S |
| 1.654 42 | 2.441 62 | 2.452 62.28 | 0.276 7 | ◆710408 | 320 | N |
| 1.654 42 | 2.441 62 | 2.452 62.27 | 0.315 8 | ◆426208XX | 350 | S |
| 1.654 42 | 2.441 62 | 2.452 62.28 | 0.394 10 | ◆224250→ | 350 | S |
| 1.654 42 | 2.441 62 | 2.445 62.10 | 0.472 12 | ◆710403 | # | S |
| 1.654 42 | 2.480 63 | 2.491 63.27 | 0.354 9 | ◆710298→ | 400 | N |
| 1.654 | 2.518 | 2.525 | 0.394 | 3622 | 740 | S |
| 1.654 | 2.518 | 2.525 | 0.394 | 3622S | 740 | S |
| 1.654 42 | 2.524 64.10 | 2.535 64.39 | 0.236 6 | ◆224254 | 340 | S |
| 1.654 | 2.551 | 2.555 | 0.531 | 710179→ | 320 | S |
| 1.654 42 | 2.559 65 | 2.565 65.15 | 0.394 10 | ◆224255 | 470 | N |
| 1.654 42 | 2.559 65 | 2.565 65.15 | 0.394 10 | ◆426510XX | 470 | N |
| 1.654 | 2.598 | 2.609 | 0.394 | 224266 | 320 | S |
| 1.654 | 2.638 | 2.643 | 0.282 | 4615V→ | 830 | V |
| 1.654 42 | 2.638 67 | 2.646 67.20 | 0.394 10 | ◆710286 | 320 | N |
| 1.654 42 | 2.677 68 | 2.685 68.20 | 0.315 8 | ◆426808XX | 320 | S |
| 1.654 42 | 2.677 68 | 2.685 68.20 | 0.394 10 | ◆426810XX | 320 | S |
| 1.654 42 | 2.756 70 | 2.764 70.20 | 0.394 10 | ◆427010XX | 320 | S |
| 1.654 42 | 2.835 72 | 2.843 72.20 | 0.315 8 | ◆427208XX | 320 | S |
| 1.654 42 | 2.835 72 | 2.845 72.27 | 0.394 10 | ◆224270 | 350 | S |
| 1.654 42 | 2.835 72 | 2.845 72.27 | 0.394 10 | ◆427210XX | 320 | S |
| 1.654 | 2.835 | 2.846 | 0.394 | 710207 | 400 | S |
| 1.654 | 2.992 | 3.003 | 0.472 | 710195 | 400 | S |
| 1.654 42 | 2.992 76 | 2.998 76.15 | 0.472 12 | ◆710245→ | # | N |
| 1.654 42 | 3.150 80 | 3.157 80.20 | 0.315 8 | ◆428008XX | 320 | S |
| 1.654 42 | 3.150 80 | 3.157 80.20 | 0.394 10 | ◆428010XX | 350 | S |
| 1.654 42 | 3.543 90 | 3.554 90.27 | 0.374 9.50 | ◆710133 | # | N |
| 1.654 42 | 3.543 90 | 3.554 90.27 | 0.469 11.90 | ◆710246 | # | N |

| Shaft | Bore | O.D. | Width | Part Number | Style | Matl |
|------------------------|-------------|----------------|------------|-------------|-------|------|
| 1.654 | 56.000 | 2.206 | 0.275 | 473560N→ | 470 | N |
| 1.656" | | | | | | |
| 1.656 | 2.502 | 2.506 | 0.500 | 450260 | 450 | S |
| 1.656 | 2.623 | 2.627 | 0.455 | 7457N→ | 10S | N |
| 1.656 | 2.686 | 2.690 | 0.500 | 450073 | 450 | S |
| 1.656 | 2.938 | 2.944 | 0.374 | 472660 | 470 | S |
| 1.670" | | | | | | |
| 1.670 | 2.686 | 2.690 | 0.500 | 452086 | 450 | S |
| 1.673" | | | | | | |
| 1.673 | 2.162 | 2.168 | 0.285 | 4099 | 2870 | S |
| 1.673 43 | 2.165 55 | 2.176 55.27 | 0.236 6 | ◆2012→ | 320 | Y |
| 1.675" | | | | | | |
| 1.675 | 2.000 | 2.175 | 0.200 | 710385 | # | S |
| 1.685" | | | | | | |
| 1.685 | 2.500 | 2.506 | 1.535 | 7300S | 790 | N |
| 1.687" 1 11/16" | | | | | | |
| 1.687 | 2.279 | 2.285 | 0.250 | 353141 | 350 | S |
| 1.687 | 2.327 | 2.332 | 0.500 | 203008 | 2030 | S |
| 1.687 | 2.374 | 2.380 | 0.311 | 473233 | 470 | S |
| 1.687 | 2.437 | 2.441 | 0.312 | 473445 | 470 | S |
| 1.687 | 2.437 | 2.441 | 0.468 | 480479H | 480 | H |
| 1.687 | 2.500 | 2.511 | 1.535 | 2465 | # | S |
| 1.687 | 2.502 | 2.506 | 0.250 | 40154S | 40S | S |
| 1.687 | 2.502 | 2.508 | 0.311 | 410154 | 410 | S |
| 1.687 | 2.502 | 2.508 | 0.311 | 450154 | 450 | S |
| 1.687 | 2.502 | 2.508 | 0.311 | 473234 | 470 | S |
| 1.687 | 2.502 | 2.508 | 0.582 | 7038SA← | 410 | S |
| 1.687 | 2.557 | 2.568 | 0.464 | 2146↔ | # | S |
| 1.687 | 2.561 | 2.565 | 0.500 | 470460 | 470 | S |
| 1.687 | 2.605 | 2.609 | 0.235 | 9178S | 40S | S |
| 1.687 | 2.623 | 2.629 | 0.311 | 473235 | 470 | S |
| 1.687 | 2.623 | 2.629 | 0.375 | 440265 | 440 | S |
| 1.687 | 2.623 | 2.629 | 0.437 | 8516N | 470 | N |
| 1.687 | 2.650 | 2.725 | 0.290 | 200886 | 2000E | S |
| 1.687 | 2.650 | 2.725 | 0.290 | 200886S | 200E | S |
| 1.687 | 2.684 | 2.706 | 0.250 | 7381S | 240 | S |
| 1.687 | 2.686 | 2.691 | 0.312 | 474265 | 470 | S |
| 1.687 | 2.686 | 2.690 | 0.500 | 470074 | 470 | S |
| 1.687 | 2.716 | 2.720 | 0.468 | 450765 | 450 | S |
| 1.687 | 2.750 | 2.756 | 0.311 | 473236 | 470 | S |

| Shaft | Bore | O.D. | Width | Part Number | Style | Matl |
|-------|-------|-------|-------|-------------|-------|------|
| 1.687 | 2.835 | 2.841 | 0.469 | 470596 | 470 | S |
| 1.687 | 2.835 | 2.841 | 0.469 | 470596V | 470 | V |
| 1.687 | 2.875 | 2.879 | 0.375 | 473446 | 470 | S |
| 1.687 | 3.000 | 3.006 | 0.375 | 471981 | 470 | S |
| 1.687 | 3.062 | 3.066 | 0.500 | 470086 | 470 | S |
| 1.687 | 3.125 | 3.130 | 0.500 | 470687 | 470 | S |

| | | | | | | |
|-------|-------|-------|-------|--------|-----|---|
| 1.687 | 3.189 | 3.194 | 0.437 | 450533 | 450 | S |
|-------|-------|-------|-------|--------|-----|---|

1.688"

| | | | | | | |
|-------|-------|-------|-------|--------|------|---|
| 1.688 | 2.328 | 2.334 | 0.281 | 7022S | 2760 | S |
| 1.688 | 2.328 | 2.334 | 0.313 | 473317 | 470 | S |
| 1.688 | 2.551 | 2.562 | 0.470 | 712146 | 250 | S |

1.693" 43mm

| | | | | | | |
|-------|-------|-------|-------|----------|-----|---|
| 1.693 | 2.126 | 2.132 | 0.256 | ◆224400 | 250 | S |
| 43 | 54 | 54.15 | 6.50 | | | |
| 1.693 | 2.126 | 2.132 | 0.295 | ◆334111 | 330 | S |
| 43 | 54 | 54.15 | 7.50 | | | |
| 1.693 | 2.165 | 2.176 | 0.236 | ◆2012S→ | 320 | Y |
| 43 | 55 | 55.27 | 6 | | | |
| 1.693 | 2.165 | 2.176 | 0.236 | ◆2012V→ | 320 | V |
| 43 | 55 | 55.27 | 6 | | | |
| 1.693 | 2.165 | 2.176 | 0.236 | ◆710264→ | 320 | Y |
| 43 | 55 | 55.27 | 6 | | | |

| | | | | | | |
|-------|-------|-------|-------|-----------|-----|---|
| 1.693 | 2.165 | 2.176 | 0.315 | ◆1183 | 340 | S |
| 43 | 55 | 55.27 | 8 | | | |
| 1.693 | 2.165 | 2.173 | 0.315 | ◆435508XX | 320 | S |
| 43 | 55 | 55.20 | 8 | | | |
| 1.693 | 2.302 | 2.308 | 0.295 | ◆710159 | # | S |
| 43 | 58.47 | 58.62 | 7.50 | | | |
| 1.693 | 2.362 | 2.373 | 0.354 | ◆320583→ | 320 | S |
| 43 | 60 | 60.27 | 9 | | | |
| 1.693 | 2.441 | 2.448 | 0.394 | ◆224320 | 470 | S |
| 43 | 62 | 62.18 | 10 | | | |

| | | | | | | |
|-------|-------|-------|-------|-----------|-----|---|
| 1.693 | 2.480 | 2.488 | 0.394 | 710431 | # | S |
| 1.693 | 2.531 | 2.565 | 0.374 | 710387 | 470 | S |
| 1.693 | 2.559 | 2.567 | 0.315 | ◆436508XX | 320 | S |
| 43 | 65 | 65.20 | 8 | | | |
| 1.693 | 2.756 | 2.762 | 0.354 | ◆710142 | # | S |
| 43 | 70 | 70.16 | 9 | | | |
| 1.693 | 3.622 | 3.633 | 0.492 | ◆710208 | # | S |
| 43 | 92 | 92.28 | 12.50 | | | |

1.705"

| | | | | | | |
|-------|-------|-------|-------|---------|-----|---|
| 1.705 | 3.034 | 3.040 | 0.500 | 710067↔ | 690 | S |
| 1.705 | 3.034 | 3.039 | 0.562 | 100357 | 860 | V |
| 1.705 | 3.084 | 3.090 | 0.461 | 3747↔ | 690 | S |
| 1.705 | 3.084 | 3.090 | 0.461 | 710105↔ | # | S |

1.709"

| | | | | | | |
|-------|-------|-------|-------|-------|-----|---|
| 1.709 | 2.209 | 2.215 | 0.354 | 2955→ | 710 | N |
|-------|-------|-------|-------|-------|-----|---|

| Shaft | Bore | O.D. | Width | Part Number | Style | Matl |
|-------|------|------|-------|-------------|-------|------|
|-------|------|------|-------|-------------|-------|------|

1.718"

| | | | | | | |
|-------|-------|-------|-------|--------|-----|---|
| 1.718 | 2.437 | 2.441 | 0.468 | 50327 | 50S | S |
| 1.718 | 2.561 | 2.567 | 0.500 | 442251 | 440 | S |
| 1.718 | 2.623 | 2.627 | 0.500 | 450068 | 450 | S |
| 1.718 | 2.875 | 2.879 | 0.468 | 50081 | 50S | S |
| 1.718 | 2.996 | 3.000 | 0.375 | 6101 | 290 | F |

1.719"

| | | | | | | |
|-------|-------|-------|-------|--------|-----|---|
| 1.719 | 2.561 | 2.567 | 0.500 | 473336 | 470 | S |
|-------|-------|-------|-------|--------|-----|---|

1.730"

| | | | | | | |
|-------|-------|-------|-------|-------|------|---|
| 1.730 | 2.336 | 2.342 | 0.250 | 6840S | 40S | S |
| 1.730 | 2.336 | 2.342 | 0.250 | 7607 | 2810 | F |
| 1.730 | 2.336 | 2.342 | 0.470 | 8121S | 250 | N |
| 1.730 | 2.401 | 2.407 | 0.236 | 8705S | 2770 | S |

1.732"

| | | | | | | |
|-------|-------|-------|-------|-----------|-----|---|
| 1.732 | 2.323 | 2.332 | 0.268 | 224450 | 350 | N |
| 1.732 | 2.362 | 2.373 | 0.276 | ◆224460→ | 350 | X |
| 44 | 60 | 60.27 | 7 | | | |
| 1.732 | 2.362 | 2.370 | 0.276 | ◆446007XX | 320 | S |
| 44 | 60 | 60.20 | 7 | | | |
| 1.732 | 2.362 | 2.370 | 0.394 | ◆446010XX | 350 | S |
| 44 | 60 | 60.20 | 10 | | | |
| 1.732 | 2.441 | 2.452 | 0.315 | ◆224462 | 320 | S |
| 44 | 62 | 62.28 | 8 | | | |

| | | | | | | |
|-------|-------|-------|-------|------------|-----|---|
| 1.732 | 2.441 | 2.451 | 0.315 | ◆446208XX↔ | 320 | S |
| 44 | 62 | 62.26 | 8 | | | |
| 1.732 | 2.441 | 2.452 | 0.394 | ◆224464← | 320 | N |
| 44 | 62 | 62.28 | 10 | | | |
| 1.732 | 2.559 | 2.570 | 0.394 | ◆446510XX | 350 | S |
| 44 | 65 | 65.28 | 10 | | | |
| 1.732 | 2.559 | 2.570 | 0.433 | ◆224465→ | 320 | S |
| 44 | 65 | 65.28 | 11 | | | |
| 1.732 | 2.598 | 2.602 | 0.236 | 710223 | # | S |

| | | | | | | |
|-------|-------|-------|-------|-----------|-----|---|
| 1.732 | 2.677 | 2.688 | 0.315 | ◆350609← | 350 | N |
| 44 | 68 | 68.28 | 8 | | | |
| 1.732 | 2.756 | 2.764 | 0.315 | ◆447008XX | 320 | S |
| 44 | 70 | 70.20 | 8 | | | |
| 1.732 | 2.835 | 2.839 | 0.394 | ◆447210XX | 350 | S |
| 44 | 72 | 72.11 | 10 | | | |
| 1.732 | 3.150 | 3.161 | 0.343 | ◆710115↔ | 980 | S |
| 44 | 80 | 80.29 | 8.70 | | | |
| 1.732 | 3.543 | 3.547 | 0.354 | 710283 | # | N |

1.739"

| | | | | | | |
|-------|-------|-------|-------|-------|-----|---|
| 1.739 | 2.812 | 2.818 | 0.594 | 8460N | 740 | N |
|-------|-------|-------|-------|-------|-----|---|

1.740"

| | | | | | | |
|-------|-------|-------|-------|------|-----|---|
| 1.740 | 3.000 | 3.008 | 0.500 | 6818 | 710 | S |
|-------|-------|-------|-------|------|-----|---|

| Shaft | Bore | O.D. | Width | Part Number | Style | Matl | Shaft | Bore | O.D. | Width | Part Number | Style | Matl |
|---------------|-------|-------|-------|-------------|-------|------|----------------------|-------|-------|-------|-------------|-------|------|
| 1.748" | | | | | | | 1.750 | 2.686 | 2.692 | 0.438 | 450076 | 450 | S |
| 1.748 | 2.619 | 2.627 | 0.330 | 4950 | 880 | N | 1.750 | 2.715 | 2.721 | 0.437 | 323119 | 320 | S |
| 1.748 | 2.623 | 2.629 | 0.313 | 3227→ | 830 | N | 1.750 | 2.716 | 2.721 | 0.406 | 204002 | 2040 | S |
| 1.748 | 3.229 | 3.236 | 0.335 | 3583 | 830 | H | 1.750 | 2.717 | 2.721 | 0.406 | 203002 | 2030 | S |
| 1.748 | 3.229 | 3.236 | 0.335 | 3583S | 830 | H | 1.750" 1 3/4" | | | | | | |
| 1.750 | 2.250 | 2.258 | 0.187 | 6703S | 350 | S | 1.750 | 2.718 | 2.728 | 0.294 | 200854 | 2000E | S |
| 1.750 | 2.250 | 2.258 | 0.250 | 340400 | 340 | S | 1.750 | 2.718 | 2.722 | 0.359 | 200354 | 2000 | S |
| 1.750 | 2.250 | 2.254 | 0.250 | 42352S | 40S | S | 1.750 | 2.718 | 2.724 | 0.359 | 204038 | 2040 | S |
| 1.750 | 2.250 | 2.254 | 0.250 | 710024 | # | U | 1.750 | 2.750 | 2.756 | 0.311 | 410183N | 410 | N |
| 1.750 | 2.250 | 2.261 | 0.311 | 450400 | 450 | S | 1.750 | 2.750 | 2.756 | 0.311 | 472179 | 470 | S |
| 1.750 | 2.328 | 2.334 | 0.438 | 482126 | 480 | S | 1.750 | 2.750 | 2.756 | 0.311 | 472179A | 470 | A |
| 1.750 | 2.374 | 2.379 | 0.250 | 204503 | 2040 | S | 1.750 | 2.750 | 2.756 | 0.500 | 450183 | 450 | S |
| 1.750 | 2.374 | 2.380 | 0.311 | 473237 | 470 | S | 1.750 | 2.750 | 2.756 | 0.500 | 51083 | 50S | S |
| 1.750 | 2.374 | 2.380 | 0.311 | 473237V | 470 | V | 1.750 | 2.758 | 2.762 | 0.375 | 473447 | 470 | S |
| 1.750 | 2.374 | 2.380 | 0.311 | 7486S | 350 | S | 1.750 | 2.783 | 2.787 | 0.531 | 50289 | 50S | S |
| 1.750 | 2.374 | 2.378 | 0.484 | 710062 | # | S | 1.750 | 2.786 | 2.876 | 0.285 | 200600 | 2000E | S |
| 1.750 | 2.411 | 2.415 | 0.380 | 471169 | 470 | S | 1.750 | 2.810 | 2.814 | 0.315 | 712260 | 470 | S |
| 1.750 | 2.437 | 2.443 | 0.313 | 450351 | 450 | S | 1.750 | 2.875 | 2.881 | 0.252 | 450291 | 450 | S |
| 1.750 | 2.437 | 2.443 | 0.313 | 470351 | 470 | S | 1.750 | 2.875 | 2.881 | 0.252 | 450291N | 450 | N |
| 1.750 | 2.437 | 2.443 | 0.313 | 471504 | 470 | S | 1.750 | 2.875 | 2.879 | 0.375 | 471141 | 470 | S |
| 1.750 | 2.438 | 2.444 | 0.251 | 43071S | 40S | S | 1.750 | 2.875 | 2.880 | 0.500 | 6949S | 2740 | S |
| 1.750 | 2.438 | 2.441 | 0.375 | 710013 | # | U | 1.750 | 2.983 | 2.987 | 0.438 | 5711 | 410 | S |
| 1.750 | 2.441 | 2.447 | 0.374 | 471831 | 470 | S | 1.750 | 2.983 | 2.987 | 0.438 | 5711S | 410 | S |
| 1.750 | 2.449 | 2.453 | 0.312 | 473157 | 470 | S | 1.750 | 2.996 | 3.001 | 0.375 | 473448 | 470 | S |
| 1.750 | 2.500 | 2.508 | 0.375 | 354040 | 350 | T | 1.750 | 3.000 | 3.005 | 0.250 | 204501 | 2040 | S |
| 1.750 | 2.500 | 2.503 | 0.484 | 710389 | 70S | S | 1.750 | 3.000 | 3.006 | 0.374 | 471984 | 470 | S |
| 1.750 | 2.501 | 2.507 | 0.251 | 40494S | 40S | S | 1.750 | 3.061 | 3.066 | 0.375 | 473313 | 470 | S |
| 1.750 | 2.502 | 2.508 | 0.311 | 450494 | 450 | S | 1.750 | 3.061 | 3.067 | 0.500 | 450087 | 450 | S |
| 1.750 | 2.502 | 2.508 | 0.311 | 472164 | 470 | S | 1.750 | 3.062 | 3.066 | 0.485 | 710005 | 860 | S |
| 1.750 | 2.502 | 2.508 | 0.311 | 472164A | 470 | A | 1.750 | 3.153 | 3.159 | 0.312 | 482267 | 480 | S |
| 1.750 | 2.502 | 2.508 | 0.311 | 472164V | 470 | V | 1.750 | 3.189 | 3.194 | 0.437 | 470088 | 470 | S |
| 1.750 | 2.502 | 2.508 | 0.311 | 482164N | 480 | N | 1.750 | 3.371 | 3.376 | 0.625 | 210945 | 210 | S |
| 1.750 | 2.502 | 2.506 | 0.406 | 451147H | 450 | H | 1.750 | 3.543 | 3.548 | 0.500 | 455536 | 450 | S |
| 1.750 | 2.502 | 2.513 | 0.500 | 450352 | 450 | S | 1.750 | 3.937 | 3.942 | 0.312 | 476820 | 470 | S |
| 1.750 | 2.502 | 2.506 | 0.680 | 7834 | # | S | 1.763" | | | | | | |
| 1.750 | 2.561 | 2.567 | 0.252 | 204502 | 2040 | S | 1.763 | 2.126 | 2.134 | 0.382 | 1906 | 310 | S |
| 1.750 | 2.561 | 2.566 | 0.312 | 472193 | 470 | S | 1.765" | | | | | | |
| 1.750 | 2.561 | 2.567 | 0.500 | 450361 | 450 | S | 1.765 | 2.412 | 2.416 | 0.468 | 450375 | 450 | S |
| 1.750 | 2.561 | 2.567 | 0.500 | 470361 | 470 | S | 1.766" | | | | | | |
| 1.750 | 2.563 | 2.569 | 0.500 | 205015 | 2050 | F | 1.766 | 2.412 | 2.423 | 0.374 | 6936S | 450 | S |
| 1.750 | 2.565 | 2.571 | 0.313 | 324941 | 320 | S | 1.766 | 2.412 | 2.418 | 0.375 | 9845→ | 470 | V |
| 1.750 | 2.565 | 2.571 | 0.313 | 473796 | 470 | S | 1.771" | | | | | | |
| 1.750 | 2.621 | 2.625 | 0.937 | 710428 | 870 | V | 1.771 | 2.500 | 2.504 | 0.359 | 714075 | # | H |
| 1.750 | 2.623 | 2.629 | 0.311 | 472185 | 470 | S | 1.771 | 2.622 | 2.628 | 0.500 | 354041 | 350 | T |
| 1.750 | 2.623 | 2.629 | 0.313 | 450070 | 450 | S | 1.771 | 3.661 | 3.661 | 0.313 | 1952 | 540 | S |
| 1.750 | 2.686 | 2.690 | 0.375 | 470334 | 470 | S | | | | | | | |

| Shaft | Bore | O.D. | Width | Part Number | Style | Matl |
|--------------------|-------------|----------------|----------------|-------------|-------|------|
| 1.772" 45mm | | | | | | |
| 1.772 45 | 2.283 58 | 2.294 58.28 | 0.276 7 | ◆455807XX | 350 | S |
| 1.772 45 | 2.323 59 | 2.334 59.28 | 0.315 8 | ◆710193 | 320 | S |
| 1.772 45 | 2.362 60 | 2.370 60.20 | 0.276 7 | ◆456007XX | 350 | S |
| 1.772 45 | 2.362 60 | 2.373 60.27 | 0.315 8 | ◆224520 | 350 | S |
| 1.772 45 | 2.362 60 | 2.370 60.20 | 0.315 8 | ◆456008XX | 350 | S |
| 1.772 45 | 2.362 60 | 2.372 60.25 | 0.394 10 | ◆456010XX | 350 | S |
| 1.772 45 | 2.362 60 | 2.372 60.25 | 0.425 10.80 | ◆2440 | 690 | N |
| 1.772 45 | 2.402 61 | 2.413 61.29 | 0.315 8 | ◆710260← | 320 | S |
| 1.772 45 | 2.441 62 | 2.447 62.15 | 0.236 6 | ◆494122 | 490 | S |
| 1.772 45 | 2.441 62 | 2.452 62.28 | 0.315 8 | ◆1012N | 320 | S |
| 1.772 45 | 2.441 62 | 2.452 62.28 | 0.315 8 | ◆1012S | 350 | S |
| 1.772 45 | 2.441 62 | 2.453 62.30 | 0.315 8 | ◆456208XX | 350 | S |
| 1.772 45 | 2.441 62 | 2.447 62.15 | 0.315 8 | ◆710078 | 470 | V |
| 1.772 45 | 2.441 62 | 2.445 62.15 | 0.354 8 | 710321 | 470 | S |
| 1.772 45 | 2.520 64 | 2.531 64.29 | 0.354 9 | ◆1938 | # | S |
| 1.772 45 | 2.520 64 | 2.531 64.29 | 0.354 9 | ◆1939 | # | S |
| 1.772 45 | 2.520 64 | 2.531 64.29 | 0.354 9 | ◆1951 | 870 | S |
| 1.772 45 | 2.559 65 | 2.565 65.15 | 0.197 5 | ◆1992 | 470 | S |
| 1.772 45 | 2.559 65 | 2.570 65.28 | 0.315 8 | ◆456508XX | 350 | S |
| 1.772 45 | 2.598 68 | 2.608 68.28 | 0.295 7 | 710160 | # | S |
| 1.772 45 | 2.638 67 | 2.644 67.16 | 0.315 8 | ◆710289→ | 320 | S |
| 1.772 45 | 2.677 68 | 2.688 68.28 | 0.276 7 | ◆456807XX | 320 | S |
| 1.772 45 | 2.677 68 | 2.688 68.28 | 0.335 8.50 | ◆224560 | 320 | S |
| 1.772 45 | 2.677 68 | 2.688 68.28 | 0.472 12 | ◆320564→ | 320 | V |
| 1.772 45 | 2.677 68 | 2.685 68.20 | 0.472 12 | ◆710345 | 320 | S |
| 1.772 45 | 2.756 70 | 2.763 70.18 | 0.394 10 | ◆457010XX | 320 | S |
| 1.772 45 | 2.835 72 | 2.846 72.29 | 0.276 7 | ◆224570 | 350 | S |
| 1.772 45 | 2.835 72 | 2.846 72.28 | 0.276 7 | ◆457207XX | 350 | S |
| 1.772 45 | 2.835 72 | 2.843 72.20 | 0.394 10 | ◆457210XX | 350 | S |

| Shaft | Bore | O.D. | Width | Part Number | Style | Matl |
|------------------------|----------------|----------------|----------------|-------------|-------|------|
| 1.772 45 | 2.835 72 | 2.844 72.25 | 0.394 10 | ◆457295XX | 320 | S |
| 1.772 45 | 2.835 72 | 2.846 72.28 | 0.472 12 | ◆457212XX | 350 | S |
| 1.772 45 | 2.835 72.20 | 2.843 72.49 | 0.472 7.50 | 710270 | 320 | N |
| 1.772 45 | 2.843 72.20 | 2.854 72.49 | 0.295 7.50 | ◆1943 | 440 | S |
| 1.772 45 | 2.953 75 | 2.961 75.20 | 0.276 7 | ◆457507XX | 320 | S |
| 1.772 45 | 2.953 75 | 2.959 75.16 | 0.472 12 | ◆1979→ | 470 | N |
| 1.772 45 | 3.071 78 | 3.077 78.16 | 0.433 11 | ◆710248→ | 660 | N |
| 1.772 45 | 3.150 80 | 3.161 80.28 | 0.394 10 | ◆458010XX | 350 | S |
| 1.772 45 | 3.346 85 | 3.354 85.20 | 0.394 10 | ◆458510XX | 350 | S |
| 1.772 45 | 3.346 85 | 3.356 85.25 | 0.512 13 | ◆458513XX | 450 | S |
| 1.772 45 | 3.858 98 | 3.865 98.17 | 0.413 10.50 | ◆710364↔ | # | N |
| 1.781" 1 25/32" | | | | | | |
| 1.781 | 2.258 | 2.269 | 0.374 | 321460 | 320 | S |
| 1.781 | 2.500 | 2.505 | 0.312 | 39925 | TFW-H | T |
| 1.781 | 2.623 | 2.627 | 0.500 | 50266 | 50S | S |
| 1.781 | 2.686 | 2.690 | 0.500 | 450269 | 450 | S |
| 1.781 | 2.750 | 2.754 | 0.500 | 450285 | 450 | S |
| 1.781 | 2.758 | 2.762 | 0.500 | 450280 | 450 | S |
| 1.781 | 3.189 | 3.194 | 0.437 | 450089 | 450 | S |
| 1.787" | | | | | | |
| 1.787 | 3.229 | 3.240 | 0.335 | 4072→ | 830 | N |
| 1.787 | 3.229 | 3.240 | 0.335 | 4072N→ | 830 | N |
| 1.796" | | | | | | |
| 1.796 | 2.524 | 2.800 | 0.599 | 8314 | # | S |
| 1.796 | 2.524 | 2.800 | 0.599 | 8314S | # | S |
| 1.796 | 2.725 | 2.730 | 0.500 | 6781 | 2010 | S |
| 1.809" | | | | | | |
| 1.809 | 2.361 | 2.366 | 0.370 | 4249 | 2870 | S |
| 1.811" 46mm | | | | | | |
| 1.811 46 | 0.108 2.73 | 2.732 69.40 | 0.433 11 | ◆710126 | # | S |
| 1.811 46 | 2.283 58 | 2.294 58.27 | 0.276 7 | ◆224650→ | 320 | N |
| 1.811 46 | 2.362 60 | 2.373 60.27 | 0.276 7 | ◆224660→ | 320 | H |
| 1.811 | 2.441 | 2.445 | 0.315 | 224662 | 350 | S |

| Shaft | Bore | O.D. | Width | Part Number | Style | Matl |
|------------------------|-------|-------|-------|-------------|-------|------|
| 1.811 | 2.441 | 2.449 | 0.807 | 710394 | # | S |
| 1.811 | 2.480 | 2.491 | 0.300 | 224663→ | 350 | N |
| 1.811 | 2.559 | 2.567 | 0.276 | ◆466507XX | 320 | S |
| 46 | 65 | 65.20 | 7 | | | |
| 1.811 | 2.697 | 2.702 | 0.295 | ◆710161 | 2810 | S |
| 46 | 68.50 | 68.63 | 7.50 | | | |
| 1.811 | 2.732 | 2.740 | 0.394 | 710128 | # | S |
| 1.811 | 2.756 | 2.764 | 0.315 | ◆467008XX | 320 | S |
| 46 | 70 | 70.20 | 8 | | | |
| 1.811 | 2.756 | 2.760 | 0.315 | ◆710238→ | 320 | S |
| 46 | 70 | 70.10 | 8 | | | |
| 1.811 | 3.720 | 3.728 | 0.315 | 710377 | # | S |
| 1.812" 1 13/16" | | | | | | |
| 1.812 | 2.327 | 2.332 | 0.437 | 444116 | 440 | S |
| 1.812 | 2.437 | 2.441 | 0.468 | 451817 | 450 | S |
| 1.812 | 2.437 | 2.441 | 0.468 | 471817 | 470 | S |
| 1.812 | 2.561 | 2.566 | 0.500 | 203006 | 2030 | S |
| 1.812 | 2.561 | 2.566 | 0.500 | 203006S | 2030 | S |
| 1.812 | 2.562 | 2.566 | 0.312 | 5133 | 480 | V |
| 1.812 | 2.562 | 2.567 | 0.315 | 39930 | TFW-H | T |
| 1.812 | 2.563 | 2.567 | 0.375 | 39835 | TW | T |
| 1.812 | 2.623 | 2.627 | 0.375 | 472070 | 470 | S |
| 1.812 | 2.623 | 2.627 | 0.455 | 3618 | 860 | S |
| 1.812 | 2.686 | 2.690 | 0.375 | 471866 | 470 | S |
| 1.812 | 2.718 | 2.722 | 0.270 | 7186S | 2000 | S |
| 1.812 | 2.750 | 2.756 | 0.313 | 450118 | 450 | S |
| 1.812 | 2.750 | 2.754 | 0.375 | 473449 | 470 | S |
| 1.812 | 2.758 | 2.762 | 0.500 | 480281 | 480 | S |
| 1.812 | 2.777 | 2.781 | 0.575 | 3604→ | 860 | V |
| 1.812 | 2.875 | 2.879 | 0.375 | 473450V | 470 | V |
| 1.812 | 2.875 | 2.879 | 0.468 | 450116 | 450 | S |
| 1.812 | 3.000 | 3.006 | 0.374 | 7044NA | 860 | S |
| 1.812 | 3.000 | 3.005 | 0.500 | 3700 | 860 | S |
| 1.812 | 3.091 | 3.097 | 0.485 | 4278 | 860 | V |
| 1.812 | 3.125 | 3.130 | 0.375 | 481992 | 480 | S |
| 1.812 | 3.189 | 3.194 | 0.437 | 450090 | 450 | S |
| 1.812 | 4.123 | 4.128 | 0.531 | 6930 | 210 | S |
| 1.813" | | | | | | |
| 1.813 | 2.408 | - | 0.300 | 710409 | # | S |
| 1.813 | 2.623 | 2.629 | 0.433 | 8181NA↔ | 740 | S |
| 1.813 | 2.965 | 2.969 | 0.250 | 5070 | 290 | F |
| 1.815" | | | | | | |
| 1.815 | 2.562 | 2.566 | 0.562 | 2207 | 2900 | S |
| 1.821" | | | | | | |
| 1.821 | 2.623 | 2.627 | 0.250 | 44053 | 40S | S |

| Shaft | Bore | O.D. | Width | Part Number | Style | Matl |
|--------------------|--------|-------|-------|-------------|-------|------|
| 1.825" | | | | | | |
| 1.825 | 2.750 | 2.754 | 0.468 | 7600S | 470 | S |
| 1.830" | | | | | | |
| 1.830 | 2.570 | 2.574 | 0.250 | 6960 | 40S | S |
| 1.831" | | | | | | |
| 1.831 | 3.543 | 3.551 | 0.472 | 710397 | # | N |
| 1.840" | | | | | | |
| 1.840 | 2.400 | 2.404 | 0.235 | 291295 | 290 | F |
| 1.842" | | | | | | |
| 1.842 | 2.748 | 2.751 | 0.425 | 714675 | # | V |
| 1.843" | | | | | | |
| 1.843 | 2.502 | 2.506 | 0.375 | 471841 | 470 | S |
| 1.843 | 2.623 | 2.627 | 0.375 | 473451 | 470 | S |
| 1.843 | 2.750 | 2.754 | 0.375 | 473452 | 470 | S |
| 1.843 | 2.750 | 2.756 | 0.500 | 470331N | 470 | N |
| 1.843 | 2.875 | 2.879 | 0.375 | 473453 | 470 | S |
| 1.850" 47mm | | | | | | |
| 1.850 | 2.441 | 2.449 | 0.315 | ◆476208XX | 320 | S |
| 47 | 62 | 62.20 | 8 | | | |
| 1.850 | 2.520 | 2.531 | 0.236 | ◆1937 | # | S |
| 47 | 64 | 64.29 | 6 | | | |
| 1.850 | 2.520 | 2.523 | 0.276 | 710191 | 250 | S |
| 1.850 | 2.559 | 2.567 | 0.315 | ◆476508XX | 320 | S |
| 47 | 65 | 65.20 | 8 | | | |
| 1.850 | 2.598 | 2.602 | 0.236 | ◆710215 | 660 | S |
| 47 | 66 | 66.10 | 6 | | | |
| 1.850 | 2.677 | 2.688 | 0.394 | ◆1187S | 320 | S |
| 47 | 68 | 68.27 | 10 | | | |
| 1.850 | 2.677 | 2.688 | 0.394 | ◆476810XX | 320 | S |
| 47 | 68 | 68.27 | 10 | | | |
| 1.850 | 2.756 | 2.764 | 0.394 | ◆477010XX | 320 | S |
| 47 | 70 | 70.20 | 10 | | | |
| 1.850 | 2.835 | 2.841 | 0.315 | ◆224772 | 480 | S |
| 47 | 72 | 72.16 | 8 | | | |
| 1.850 | 2.843 | 2.854 | 0.236 | ◆710337 | 340 | S |
| 47 | 72.20 | 72.49 | 6 | | | |
| 1.850 | 3.150 | 3.156 | 0.500 | ◆710150 | # | S |
| 47 | 80 | 80.16 | 12.70 | | | |
| 1.850 | 3.307 | 3.318 | 0.374 | ◆710143 | # | S |
| 47 | 84 | 84.28 | 9.50 | | | |
| 1.850 | 69.000 | 2.717 | 0.398 | 3606 | 70S | N |

| Shaft | Bore | O.D. | Width | Part Number | Style | Matl |
|----------------------|-------|-------|-------|-------------|-------|------|
| 1.868" | | | | | | |
| 1.868 | 2.518 | 2.524 | 0.469 | 332062→ | 330 | S |
| 1.870" | | | | | | |
| 1.870 | 2.781 | 2.792 | 0.359 | 1959 | 320 | S |
| 1.872" | | | | | | |
| 1.872 | 3.125 | 3.131 | 0.313 | 473240 | 470 | S |
| 1.873" | | | | | | |
| 1.873 | 2.684 | 2.684 | 0.544 | 8521S | 2000E | S |
| 1.873 | 2.716 | 2.806 | 0.281 | 200752 | 2000E | S |
| 1.875" 1 7/8" | | | | | | |
| 1.875 | - | 2.650 | 0.350 | 710163 | # | S |
| 1.875 | 2.315 | 2.316 | 0.203 | 8362 | 330 | S |
| 1.875 | 2.397 | 2.408 | 0.250 | 353120 | 350 | S |
| 1.875 | 2.397 | 2.408 | 0.250 | 7934S | 2040 | S |
| 1.875 | 2.441 | 2.447 | 0.325 | 1949 | 480 | S |
| 1.875 | 2.470 | 2.475 | 0.437 | 472747 | 470 | S |
| 1.875 | 2.502 | 2.511 | 0.250 | 340823 | 340 | S |
| 1.875 | 2.502 | 2.506 | 0.315 | 473454 | 470 | S |
| 1.875 | 2.502 | 2.506 | 0.375 | 472041 | 470 | S |
| 1.875 | 2.560 | 2.565 | 0.406 | 2942 | 470 | N |
| 1.875 | 2.561 | 2.567 | 0.313 | 350936 | 350 | S |
| 1.875 | 2.561 | 2.567 | 0.313 | 441853 | 440 | S |
| 1.875 | 2.567 | 2.561 | 0.312 | 490936 | # | S |
| 1.875 | 2.623 | 2.627 | 0.250 | 40071S | 40S | S |
| 1.875 | 2.623 | 2.629 | 0.313 | 472439 | 470 | S |
| 1.875 | 2.623 | 2.629 | 0.313 | 472439A | 470 | A |
| 1.875 | 2.623 | 2.629 | 0.313 | 472439V | 470 | V |
| 1.875 | 2.623 | 2.629 | 0.375 | 331227H | 330 | H |
| 1.875 | 2.625 | 2.640 | 0.433 | 712102→ | TFW-H | T |
| 1.875 | 2.628 | 2.633 | 0.347 | 6985 | 290 | F |
| 1.875 | 2.677 | 2.683 | 0.374 | 710211→ | 740 | N |
| 1.875 | 2.677 | 2.689 | 0.551 | 712516→ | # | N |
| 1.875 | 2.686 | 2.692 | 0.313 | 471868 | 470 | S |
| 1.875 | 2.716 | 2.727 | 0.394 | 710388↔ | 320 | S |
| 1.875 | 2.750 | 2.754 | 0.250 | 42421S | 40S | S |
| 1.875 | 2.750 | 2.756 | 0.311 | 450117 | 450 | S |
| 1.875 | 2.750 | 2.756 | 0.311 | 472572 | 470 | S |
| 1.875 | 2.758 | 2.764 | 0.313 | 473179 | 470 | S |
| 1.875 | 2.758 | 2.762 | 0.500 | 6460S | 410 | S |
| 1.875 | 2.760 | 2.766 | 0.402 | 6712NA | 740 | N |
| 1.875 | 2.782 | 2.786 | 0.500 | 414045 | 410 | S |

| Shaft | Bore | O.D. | Width | Part Number | Style | Matl |
|--------------------|-------------|-------------|----------------|-------------|-------|------|
| 1.875 | 2.813 | 2.817 | 0.500 | 5126→ | 740 | S |
| 1.875 | 2.835 | 2.839 | 0.375 | 473455 | 470 | S |
| 1.875 | 2.868 | 2.879 | 0.551 | 2689S↔ | 250 | S |
| 1.875 | 2.875 | 2.881 | 0.311 | 450082 | 450 | S |
| 1.875 | 2.875 | 2.881 | 0.311 | 473238 | 470 | S |
| 1.875 | 2.875 | 2.879 | 0.312 | 483238V | 480 | V |
| 1.875 | 2.875 | 2.878 | 0.625 | 710019 | # | U |
| 1.875 | 2.877 | 2.864 | 0.470 | 9912 | 250 | S |
| 1.875 | 2.877 | 2.864 | 0.470 | 9912S | 250 | S |
| 1.875 | 2.965 | 2.971 | 0.234 | 6064 | 290 | F |
| 1.875 | 2.996 | 3.001 | 0.375 | 6547 | 2010 | S |
| 1.875 | 2.996 | 3.001 | 0.500 | 450084 | 450 | S |
| 1.875 | 3.000 | 3.006 | 0.313 | 450298 | 450 | S |
| 1.875 | 3.000 | 3.006 | 0.313 | 473239 | 470 | S |
| 1.875 | 3.000 | 3.005 | 0.625 | 8165 | # | H |
| 1.875 | 3.150 | 3.155 | 0.250 | 715100 | # | S |
| 1.875 | 3.150 | 3.146 | 0.930 | 3186 | 590 | S |
| 1.875 | 3.150 | 3.146 | 0.930 | 3195 | 590 | S |
| 1.875 | 3.160 | 3.165 | 0.562 | 6808 | 45 | N |
| 1.875 | 3.160 | 3.165 | 0.672 | 9316 | 720 | N |
| 1.875 | 3.160 | 3.165 | 0.720 | 719316 | 720 | V |
| 1.875 | 3.161 | 3.165 | 0.695 | 100675 | 720 | V |
| 1.875 | 3.189 | 3.194 | 0.375 | 473458 | 470 | S |
| 1.875 | 3.251 | 3.258 | 0.500 | 451078 | 450 | S |
| 1.875 | 3.371 | 3.376 | 0.468 | 410524 | 410 | S |
| 1.875 | 3.375 | 4.812 | 0.312 | 7105S | # | S |
| 1.875 | 4.010 | 4.014 | 1.000 | 6127 | 310 | S |
| 1.876" | | | | | | |
| 1.876 | 2.561 | 2.567 | 0.528 | 2692→ | 760 | N |
| 1.880" | | | | | | |
| 1.880 | 2.562 | 2.566 | 0.250 | 9049 | 250 | S |
| 1.880 | 2.562 | 2.566 | 0.250 | 9049N | 250 | S |
| 1.885" | | | | | | |
| 1.885 | 2.700 | 2.706 | 0.551 | 9449 | 740 | S |
| 1.886" | | | | | | |
| 1.886 | 2.699 | 2.704 | 0.350 | 4333N | 790 | N |
| 1.886 | 2.750 | 2.761 | 0.469 | 714503↔ | 320 | N |
| 1.886 | 2.750 | 2.765 | 1.375 | 4503N↔ | 790 | N |
| 1.890" 48mm | | | | | | |
| 1.890 | 2.362 48 | 2.368 60 | 0.354 60.15 | ◆710356→ | 470 | S |
| 1.890 | 2.441 48 | 2.452 62 | 0.236 62.28 | ◆1188 | 340 | S |

| Shaft | Bore | O.D. | Width | Part Number | Style | Matl | Shaft | Bore | O.D. | Width | Part Number | Style | Matl |
|-------------------------------|-------|--------|-------|-------------|-------|------|-------|-------|-------|-------|-------------|-------|------|
| 1.890 | 2.441 | 2.452 | 0.236 | ◆1188S | 340 | S | 1.890 | 2.913 | 2.924 | 0.394 | ◆224874 | 320 | S |
| 48 | 62 | 62.28 | 6 | | | | 48 | 74 | 74.27 | 10 | | | |
| 1.890 | 2.441 | 2.452 | 0.236 | ◆710322 | 340 | S | | | | | | | |
| 48 | 62 | 62.28 | 6 | | | | | | | | | | |
| 1.890 | 2.441 | 2.452 | 0.276 | ◆224810 | 320 | N | | | | | | | |
| 48 | 62 | 62.28 | 7 | | | | | | | | | | |
| 1.890 | 2.441 | 2.452 | 0.315 | ◆224820 | 320 | S | | | | | | | |
| 48 | 62 | 62.28 | 8 | | | | | | | | | | |
| 1.890 | 2.441 | 2.445 | 0.315 | ◆486208XX | 350 | S | | | | | | | |
| 48 | 62 | 62.10 | 8 | | | | | | | | | | |
| 1.890 | 2.441 | 2.452 | 0.354 | ◆1956 | # | S | | | | | | | |
| 48 | 62 | 62.28 | 9 | | | | | | | | | | |
| 1.890 | 2.441 | 2.452 | 0.354 | ◆1956S | # | S | | | | | | | |
| 48 | 62 | 62.28 | 9 | | | | | | | | | | |
| 1.890 | 2.441 | 2.445 | 0.354 | ◆710320 | 480 | S | | | | | | | |
| 48 | 62 | 62.10 | 9 | | | | | | | | | | |
| 1.890 | 2.480 | 2.484 | 0.354 | 1969 | 470 | S | | | | | | | |
| 1.890 | 2.480 | 2.484 | 0.354 | ◆486309XX | 470 | S | | | | | | | |
| 48 | 63 | 63.09 | 9 | | | | | | | | | | |
| 1.890 | 2.520 | 2.528 | 0.394 | ◆710167 | # | S | | | | | | | |
| 48 | 64 | 64.20 | 10 | | | | | | | | | | |
| 1.890 | 2.559 | 2.565 | 0.319 | ◆1973 | 250 | S | | | | | | | |
| 48 | 65 | 65.15 | 8.10 | | | | | | | | | | |
| 1.890 | 2.559 | 2.570 | 0.354 | ◆224865 | 320 | S | | | | | | | |
| 48 | 65 | 65.28 | 9 | | | | | | | | | | |
| 1.890 | 2.559 | 2.571 | 0.394 | ◆486510XX | 320 | S | | | | | | | |
| 48 | 65 | 65.30 | 10 | | | | | | | | | | |
| 1.890 | 2.559 | 2.571 | 0.394 | 716484 | 320 | V | | | | | | | |
| 1.890 | 2.559 | 2.565 | 0.965 | ◆4528N | 660 | N | | | | | | | |
| 48 | 65 | 65.15 | 24.50 | | | | | | | | | | |
| 1.890 | 2.677 | 2.688 | 0.394 | ◆486810XX | 320 | N | | | | | | | |
| 48 | 68 | 68.27 | 10 | | | | | | | | | | |
| 1.890 | 2.677 | 2.688 | 0.433 | ◆224835→ | 320 | N | | | | | | | |
| 48 | 68 | 68.28 | 11 | | | | | | | | | | |
| 1.890 | 2.677 | 2.688 | 0.433 | ◆224840→ | 320 | S | | | | | | | |
| 48 | 68 | 68.28 | 11 | | | | | | | | | | |
| 1.890 | 2.756 | 2.764 | 0.315 | ◆487008XX | 350 | S | | | | | | | |
| 48 | 70 | 70.20 | 8 | | | | | | | | | | |
| 1.890 | 2.756 | 2.767 | 0.354 | ◆1994 | 320 | S | | | | | | | |
| 48 | 70 | 70.28 | 9 | | | | | | | | | | |
| 1.890 | 2.756 | 2.767 | 0.354 | ◆487009XX | 350 | S | | | | | | | |
| 48 | 70 | 70.28 | 9 | | | | | | | | | | |
| 1.890 | 2.756 | 2.764 | 0.354 | ◆710255 | # | S | | | | | | | |
| 48 | 70 | 70.20 | 9 | | | | | | | | | | |
| 1.890 | 2.756 | 2.767 | 0.354 | ◆712010→ | 320 | H | | | | | | | |
| 48 | 70 | 70.28 | 9 | | | | | | | | | | |
| 1.890 | 2.756 | 2.767 | 0.472 | ◆710313→ | 320 | S | | | | | | | |
| 48 | 70 | 70.28 | 12 | | | | | | | | | | |
| 1.890 | 2.835 | 2.847 | 0.276 | 1208 | 320 | S | | | | | | | |
| 1.890 | 2.835 | 2.847 | 0.276 | 1208S | 320 | S | | | | | | | |
| 1.890 | 2.835 | 2.847 | 0.276 | ◆487207XX | 320 | S | | | | | | | |
| 48 | 72 | 72.31 | 7 | | | | | | | | | | |
| 1.890 | 2.835 | 2.846 | 0.335 | ◆224850 | 350 | S | | | | | | | |
| 48 | 72 | 72.29 | 8.50 | | | | | | | | | | |
| 1.890 | 2.835 | 2.846 | 0.335 | ◆224872 | 320 | S | | | | | | | |
| 48 | 72 | 72.29 | 8.50 | | | | | | | | | | |
| 1.890 | 2.874 | 2.878 | 0.276 | ◆224870 | 470 | S | | | | | | | |
| 48 | 73 | 73.10 | 7 | | | | | | | | | | |
| 1.890 | 2.913 | 2.925 | 0.394 | 224815 | 400 | N | | | | | | | |
| 1.890 | 2.913 | 2.924 | 0.394 | ◆224874 | 320 | S | | | | | | | |
| 48 | 74 | 74.27 | 10 | | | | | | | | | | |
| 1.890 | 2.953 | 2.961 | 0.394 | ◆487510XX | 320 | S | | | | | | | |
| 48 | 75 | 75.20 | 10 | | | | | | | | | | |
| 1.890 | 3.150 | 3.157 | 0.315 | ◆488008XX | 320 | S | | | | | | | |
| 48 | 80 | 80.20 | 8 | | | | | | | | | | |
| 1.890 | 3.543 | 3.551 | 0.394 | ◆489010XX | 350 | S | | | | | | | |
| 48 | 90 | 90.20 | 10 | | | | | | | | | | |
| 1.890 | 4.272 | 4.280 | 0.512 | 710296 | # | S | | | | | | | |
| 1.893" | | | | | | | | | | | | | |
| 1.893 | 2.434 | 2.440 | 0.250 | 8704S↔ | 330 | S | | | | | | | |
| 1.929" 49mm | | | | | | | | | | | | | |
| 1.929 | 2.441 | 2.447 | 0.335 | ◆4904 | 660 | S | | | | | | | |
| 49 | 62 | 62.15 | 8.50 | | | | | | | | | | |
| 1.929 | 2.520 | 2.531 | 0.236 | ◆1936 | # | S | | | | | | | |
| 49 | 64 | 64.29 | 6 | | | | | | | | | | |
| 1.929 | 2.563 | 2.567 | 0.315 | 39877 | TW2 | T | | | | | | | |
| 1.929 | 2.756 | 2.767 | 0.433 | ◆710305 | 320 | S | | | | | | | |
| 49 | 70 | 70.28 | 11 | | | | | | | | | | |
| 1.929 | 2.756 | 2.767 | 0.433 | ◆710305S | 320 | S | | | | | | | |
| 49 | 70 | 70.28 | 11 | | | | | | | | | | |
| 1.929 | 2.843 | 2.854 | 0.236 | ◆710148 | 970 | S | | | | | | | |
| 49 | 72.20 | 72.49 | 6 | | | | | | | | | | |
| 49 | 79 | 79.10 | - | | | | | | | | | | |
| 1.929 | 3.937 | 3.945 | 0.315 | ◆710374 | # | S | | | | | | | |
| 49 | 100 | 100.20 | 8 | | | | | | | | | | |
| 1.937" 1 15/16" | | | | | | | | | | | | | |
| 1.937 | 2.412 | 2.416 | 0.468 | 470409 | 470 | S | | | | | | | |
| 1.937 | 2.437 | 2.441 | 0.250 | 474269 | 470 | S | | | | | | | |
| 1.937 | 2.502 | 2.506 | 0.375 | 471195 | 470 | S | | | | | | | |
| 1.937 | 2.502 | 2.506 | 0.375 | 481195 | 480 | S | | | | | | | |
| 1.937 | 2.561 | 2.565 | 0.500 | 471854 | 470 | S | | | | | | | |
| 1.937 | 2.623 | 2.629 | 0.313 | 472319 | 470 | S | | | | | | | |
| 1.937 | 2.686 | 2.697 | 0.311 | 3173↔ | 480 | N | | | | | | | |
| 1.937 | 2.686 | 2.692 | 0.311 | 471869 | 470 | S | | | | | | | |
| 1.937 | 2.686 | 2.690 | 0.312 | 473459 | 470 | S | | | | | | | |
| 1.937 | 2.686 | 2.690 | 0.500 | 470138V→ | 470 | V | | | | | | | |
| 1.937 | 2.686 | 2.690 | 0.500 | 6988H | 330 | H | | | | | | | |
| 1.937 | 2.750 | 2.756 | 0.313 | 473241 | 470 | S | | | | | | | |
| 1.937 | 2.758 | 2.762 | 0.500 | 450279 | 450 | S | | | | | | | |
| 1.937 | 2.875 | 2.881 | 0.313 | 472144 | 470 | S | | | | | | | |
| 1.937 | 2.875 | 2.879 | 0.687 | 210295 | 210 | S | | | | | | | |
| 1.937 | 3.000 | 3.006 | 0.311 | 472394 | 470 | S | | | | | | | |
| 1.937 | 3.061 | 3.066 | 0.375 | 473461 | 470 | S | | | | | | | |
| 1.937 | 3.125 | 3.130 | 0.375 | 471391 | 470 | S | | | | | | | |
| 1.937 | 3.189 | 3.194 | 0.250 | 40094S | 40S | S | | | | | | | |
| 1.937 | 3.189 | 3.194 | 0.375 | 473462 | 470 | S | | | | | | | |
| 1.937 | 3.189 | 3.194 | 0.437 | 450094N | 450 | N | | | | | | | |

| Shaft | Bore | O.D. | Width | Part Number | Style | Matl |
|-------|-------|-------|-------|-------------|-------|------|
| 1.937 | 3.189 | 3.194 | 0.437 | 470094 | 470 | S |
| 1.937 | 3.350 | 3.355 | 0.468 | 450965 | 450 | S |
| 1.937 | 3.500 | 3.505 | 0.250 | 45653S | 40S | S |
| 1.937 | 3.543 | 3.548 | 0.375 | 417474 | 410 | S |
| | | | | | | |
| 1.937 | 3.622 | 3.627 | 0.375 | 6074 | 290 | F |
| 1.937 | 3.751 | 3.756 | 0.500 | 456057 | 450 | S |
| 1.937 | 3.930 | 3.935 | 0.320 | 710081 | # | S |

1.938"

| | | | | | | |
|-------|-------|-------|-------|--------|------|---|
| 1.938 | 2.562 | 2.566 | 0.317 | 710058 | 480 | S |
| 1.938 | 2.578 | 2.583 | 0.294 | 9150S | 250 | S |
| 1.938 | 2.622 | 2.628 | 0.266 | 5121 | 2810 | S |
| 1.938 | 2.996 | 3.002 | 0.313 | 473460 | 470 | S |
| 1.937 | 3.189 | 3.194 | 0.437 | 450094 | 450 | S |

1.940"

| | | | | | | |
|-------|-------|-------|-------|--------|------|---|
| 1.940 | 2.500 | 2.502 | 0.250 | 6815 | 2860 | S |
| 1.940 | 2.762 | 2.768 | 0.500 | 2043→ | 470 | S |
| 1.940 | 2.813 | 2.817 | 0.428 | 8622 | # | S |
| 1.940 | 2.900 | 2.910 | 0.400 | 710281 | 740 | S |

1.941"

| | | | | | | |
|-------|-------|-------|-------|-------|-----|---|
| 1.941 | 2.909 | 2.915 | 0.370 | 3896→ | 760 | S |
|-------|-------|-------|-------|-------|-----|---|

1.945"

| | | | | | | |
|-------|-------|-------|-------|--------|------|---|
| 1.945 | 2.891 | 2.895 | 0.290 | 200371 | 2000 | S |
|-------|-------|-------|-------|--------|------|---|

1.968"

| | | | | | | |
|-------|-------|-------|-------|---------|-----|---|
| 1.968 | 2.623 | 2.627 | 0.312 | 473814 | 470 | S |
| 1.968 | 2.686 | 2.690 | 0.370 | 7751H | 330 | H |
| 1.968 | 2.686 | 2.690 | 0.500 | 450472 | 450 | S |
| 1.968 | 2.742 | 2.746 | 0.500 | 450911 | 450 | S |
| 1.968 | 2.742 | 2.746 | 0.500 | 450911N | 450 | N |

| | | | | | | |
|-------|-------|-------|-------|--------|-----|---|
| 1.968 | 2.960 | 2.964 | 0.250 | 40370S | 40S | S |
| 1.968 | 2.996 | 3.001 | 0.500 | 50528 | 50S | S |
| 1.968 | 3.350 | 3.355 | 0.468 | 450111 | 450 | S |

1.969" **50mm**

| | | | | | | |
|-------|-------|-------|-------|-----------|-----|---|
| 1.969 | 0.101 | 2.638 | 0.217 | ◆710226 | 320 | S |
| 50 | 2.57 | 67.00 | 5.50 | | | |
| 1.969 | 0.103 | 2.618 | 0.512 | ◆474134 | 470 | S |
| 50 | 2.62 | 66.50 | 13 | | | |
| 1.969 | 2.362 | 2.373 | 0.236 | ◆710192 | 320 | S |
| 50 | 60 | 60.27 | 6 | | | |
| 1.969 | 2.441 | 2.448 | 0.276 | ◆225005 | 320 | S |
| 50 | 62 | 62.18 | 7 | | | |
| 1.969 | 2.441 | 2.452 | 0.276 | ◆506207XX | 350 | S |
| 50 | 62 | 62.28 | 7 | | | |

| | | | | | | |
|-------|-------|-------|-------|---------|-----|---|
| 1.969 | 2.441 | 2.446 | 0.354 | ◆225008 | 470 | S |
| 50 | 62 | 62.13 | 9 | | | |

| Shaft | Bore | O.D. | Width | Part Number | Style | Matl |
|-------|-------|-------|-------|-------------|-------|------|
| 1.969 | 2.520 | 2.524 | 0.256 | 1971 | 470 | S |
| 1.969 | 2.524 | 2.535 | 0.256 | ◆710098 | 710 | S |
| 50 | 64.10 | 64.39 | 6.50 | | | |
| 1.969 | 2.559 | 2.570 | 0.315 | ◆506508XX | 320 | S |
| 50 | 65 | 65.28 | 8 | | | |
| 1.969 | 2.559 | 2.570 | 0.315 | ◆710354→ | 320 | N |
| 50 | 65 | 65.28 | 8 | | | |

| | | | | | | |
|-------|-------|-------|-------|---------|-----|---|
| 1.969 | 2.559 | 2.565 | 0.354 | ◆1209 | 350 | S |
| 50 | 65 | 65.15 | 9 | | | |
| 1.969 | 2.559 | 2.565 | 0.354 | ◆1209S | 350 | S |
| 50 | 65 | 65.15 | 9 | | | |
| 1.969 | 2.559 | 2.565 | 0.354 | ◆225010 | 470 | S |
| 50 | 65 | 65.15 | 9 | | | |
| 1.969 | 2.559 | 2.565 | 0.354 | ◆3743 | 660 | S |
| 50 | 65 | 65.15 | 9 | | | |
| 1.969 | 2.638 | 2.646 | 0.354 | ◆710357 | 470 | S |
| 50 | 67 | 67.20 | 9 | | | |

| | | | | | | |
|-------|-------|-------|-------|-----------|-----|---|
| 1.969 | 2.638 | 2.649 | 0.433 | ◆1974 | 970 | S |
| 50 | 67 | 67.29 | 11 | | | |
| 1.969 | 2.677 | 2.681 | 0.256 | ◆710194 | 320 | S |
| 50 | 68 | 68.10 | 6.50 | | | |
| 1.969 | 2.677 | 2.688 | 0.315 | ◆1948 | 350 | S |
| 50 | 68 | 68.28 | 8 | | | |
| 1.969 | 2.677 | 2.688 | 0.315 | ◆506808XX | 350 | S |
| 50 | 68 | 68.28 | 8 | | | |
| 1.969 | 2.677 | 2.688 | 0.354 | ◆225020→ | 320 | V |
| 50 | 68 | 68.28 | 9 | | | |

| | | | | | | |
|-------|-------|-------|-------|-----------|-----|---|
| 1.969 | 2.677 | 2.688 | 0.354 | ◆710420→ | 320 | S |
| 50 | 68 | 68.28 | 9 | | | |
| 1.969 | 2.756 | 2.760 | 0.276 | ◆413818 | 410 | S |
| 50 | 70 | 70.10 | 7 | | | |
| 1.969 | 2.756 | 2.764 | 0.315 | ◆507008XX | 320 | S |
| 50 | 70 | 70.20 | 8 | | | |
| 1.969 | 2.756 | 2.761 | 0.354 | ◆1960 | 470 | S |
| 50 | 70 | 70.13 | 9 | | | |
| 1.969 | 2.756 | 2.764 | 0.354 | ◆507009XX | 320 | S |
| 50 | 70 | 70.20 | 9 | | | |

| | | | | | | |
|-------|-------|-------|-------|-----------|-----|---|
| 1.969 | 2.756 | 2.764 | 0.394 | ◆710173 | # | N |
| 50 | 70 | 70.20 | 10 | | | |
| 1.969 | 2.756 | 2.764 | 0.551 | ◆710135 | # | S |
| 50 | 70 | 70.20 | 14 | | | |
| 1.969 | 2.835 | 2.846 | 0.315 | ◆225030 | 350 | S |
| 50 | 72 | 72.29 | 8 | | | |
| 1.969 | 2.835 | 2.846 | 0.315 | ◆507208XX | 350 | S |
| 50 | 72 | 72.28 | 8 | | | |
| 1.969 | 2.835 | 2.846 | 0.354 | ◆225035 | 320 | S |
| 50 | 72 | 72.29 | 9 | | | |

| | | | | | | |
|-------|-------|-------|-------|-----------|-----|---|
| 1.969 | 2.835 | 2.843 | 0.394 | ◆710398 | # | S |
| 50 | 72 | 72.20 | 10 | | | |
| 1.969 | 2.835 | 2.846 | 0.472 | ◆225040→ | 320 | S |
| 50 | 72 | 72.29 | 12 | | | |
| 1.969 | 2.874 | 2.880 | 0.472 | ◆450474 | 450 | S |
| 50 | 73 | 73.15 | 12 | | | |
| 1.969 | 2.913 | 2.921 | 0.354 | 710137 | # | S |
| 1.969 | 2.953 | 2.961 | 0.276 | ◆507507XX | 320 | S |
| 50 | 75 | 75.20 | 7 | | | |

| | | | | | | |
|-------|-------|-------|-------|-----------|-----|---|
| 1.969 | 2.953 | 2.957 | 0.354 | 710437 | 470 | S |
| 1.969 | 2.953 | 2.964 | 0.472 | ◆507512XX | 320 | S |
| 50 | 75 | 75.28 | 12 | | | |

| Shaft | Bore | O.D. | Width | Part Number | Style | Matl |
|---------------|-------|-------|-------|-------------|-------|------|
| 1.969 | 3.150 | 3.161 | 0.315 | ◆225050 | 350 | S |
| 50 | 80 | 80.29 | 8 | | | |
| 1.969 | 3.150 | 3.161 | 0.315 | ◆508008XX | 350 | S |
| 50 | 80 | 80.28 | 8 | | | |
| 1.969 | 3.150 | 3.161 | 0.650 | ◆710112↔ | # | N |
| 50 | 80 | 80.30 | 16.50 | | | |
| 1.969 | 3.228 | 3.235 | 0.315 | ◆225082 | # | S |
| 50 | 82 | 82.18 | 8 | | | |
| 1.969 | 3.346 | 3.354 | 0.315 | ◆508508XX | 320 | S |
| 50 | 85 | 85.20 | 8 | | | |
| 1.969 | 3.386 | 3.398 | 0.512 | ◆710117 | 400 | N |
| 50 | 86 | 86.30 | 13 | | | |
| 1.969 | 3.543 | 3.551 | 0.315 | ◆509008XX | 320 | S |
| 50 | 90 | 90.20 | 8 | | | |
| 1.969 | 3.543 | 3.554 | 0.394 | ◆509010XX | 350 | S |
| 50 | 90 | 90.28 | 10 | | | |
| 1.969 | 4.331 | 4.336 | 0.374 | 476512 | 470 | S |
| 1.988" | | | | 51mm | | |
| 1.988 | 3.051 | 3.057 | 0.551 | ◆1941 | 470 | S |
| 51 | 77.50 | 77.65 | 14 | | | |
| 1.991" | | | | | | |
| 1.991 | 2.900 | 2.975 | 0.290 | 200885 | 2000E | S |
| 1.996" | | | | | | |
| 1.996 | 2.000 | 2.878 | 0.250 | 8998 | 440 | S |
| 1.996 | 2.743 | 2.751 | 0.325 | 3404 | 750 | H |
| 1.996 | 3.111 | 3.120 | 0.344 | 4189H | 750 | H |
| 1.998" | | | | | | |
| 1.998 | 2.878 | 2.882 | 0.340 | 4598→ | 830 | N |
| 1.998 | 2.878 | 2.884 | 0.374 | 320259→ | 320 | V |
| 2.000" | | | | 2" | | |
| 2.000 | 2.500 | 2.504 | 0.250 | 710025 | # | U |
| 2.000 | 2.500 | 2.501 | 0.375 | 710040 | # | U |
| 2.000 | 2.500 | 2.504 | 0.437 | 452261H | 450 | H |
| 2.000 | 2.501 | 2.506 | 0.250 | 40401 | 40S | S |
| 2.000 | 2.502 | 2.513 | 0.252 | 352541 | 350 | S |
| 2.000 | 2.562 | 2.568 | 0.224 | 4739 | 2820 | S |
| 2.000 | 2.562 | 2.568 | 0.224 | 8871 | 2860 | S |
| 2.000 | 2.562 | 2.566 | 0.500 | 205058 | 2050 | S |
| 2.000 | 2.562 | 2.566 | 0.528 | 331301N | 330 | N |
| 2.000 | 2.565 | 2.571 | 0.500 | 9015S | 440 | S |
| 2.000 | 2.623 | 2.627 | 0.256 | 710263 | 320 | V |
| 2.000 | 2.623 | 2.629 | 0.260 | 4148 | 2860 | S |
| 2.000 | 2.623 | 2.629 | 0.311 | 471424 | 470 | S |
| 2.000 | 2.623 | 2.629 | 0.311 | 471424A | 470 | A |

| Shaft | Bore | O.D. | Width | Part Number | Style | Matl |
|-------|-------|-------|-------|-------------|-------|------|
| 2.000 | 2.623 | 2.629 | 0.311 | 471424V | 470 | V |
| 2.000 | 2.624 | 2.630 | 0.250 | 40410S | 40S | S |
| 2.000 | 2.624 | 2.630 | 0.250 | 492702 | 490 | S |
| 2.000 | 2.625 | 2.631 | 0.219 | 9406S | 2790 | S |
| 2.000 | 2.630 | 2.750 | 0.562 | 6090S | 2730 | S |
| 2.000 | 2.635 | 2.639 | 0.235 | 292594 | 290 | F |
| 2.000 | 2.686 | 2.690 | 0.250 | 40360S | 40S | S |
| 2.000 | 2.686 | 2.692 | 0.374 | 471870 | 470 | S |
| 2.000 | 2.686 | 2.690 | 0.437 | 471883 | 470 | S |
| 2.000 | 2.688 | 2.690 | 0.375 | 710017 | # | U |
| 2.000 | 2.713 | 2.717 | 0.468 | 450446 | 450 | S |
| 2.000 | 2.716 | 2.721 | 0.375 | 474272 | 470 | S |
| 2.000 | 2.716 | 2.720 | 0.468 | 470543 | 470 | S |
| 2.000 | 2.716 | 2.720 | 0.593 | 10543S | 10S | S |
| 2.000 | 2.717 | 2.721 | 0.250 | 43073S | 40S | S |
| 2.000 | 2.720 | - | 0.210 | 710365 | # | S |
| 2.000 | 2.742 | 2.748 | 0.375 | 331107N | 330 | H |
| 2.000 | 2.742 | 2.748 | 0.375 | 472341 | 470 | S |
| 2.000 | 2.745 | 2.751 | 0.230 | 5113 | 2030 | S |
| 2.000 | 2.750 | 2.754 | 0.187 | 5865 | 40S | S |
| 2.000 | 2.750 | 2.756 | 0.252 | 40389S | 40S | S |
| 2.000 | 2.750 | 2.756 | 0.311 | 472492 | 470 | S |
| 2.000 | 2.750 | 2.756 | 0.311 | 472492A | 470 | A |
| 2.000 | 2.750 | 2.756 | 0.375 | 450389 | 450 | S |
| 2.000 | 2.804 | 2.824 | 0.294 | 200881 | 2000E | S |
| 2.000 | 2.835 | 2.839 | 0.375 | 472653 | 470 | S |
| 2.000 | 2.835 | 2.839 | 0.375 | 472653V | 470 | V |
| 2.000 | 2.846 | 2.850 | 0.375 | 493524 | 490 | S |
| 2.000 | 2.875 | 2.879 | 0.290 | 200339 | 2000 | S |
| 2.000 | 2.875 | 2.881 | 0.311 | 472924 | 470 | S |
| 2.000 | 2.875 | 2.881 | 0.469 | 450083 | 450 | S |
| 2.000 | 2.875 | 2.879 | 0.703 | 6163S | 210 | S |
| 2.000 | 2.884 | 2.890 | 0.311 | 472082 | 470 | S |
| 2.000 | 2.961 | 2.971 | 0.250 | 8139 | # | F |
| 2.000 | 2.964 | 2.965 | 0.500 | 205044 | 2050 | F |
| 2.000 | 2.995 | 3.002 | 0.500 | 410085 | 410 | S |
| 2.000 | 2.995 | 3.002 | 0.500 | 410085N | 410 | N |
| 2.000 | 2.995 | 3.002 | 0.500 | 450085 | 450 | S |
| 2.000 | 2.995 | 3.002 | 0.500 | 714654 | 470 | N |
| 2.000 | 2.996 | 3.002 | 0.250 | 40085S | 40S | S |
| 2.000 | 2.996 | 3.001 | 0.375 | 470530 | 470 | S |
| 2.000 | 3.000 | 3.005 | 0.250 | 40301S | 40S | S |
| 2.000 | 3.000 | 3.006 | 0.311 | 472397 | 470 | S |
| 2.000 | 3.000 | 3.006 | 0.500 | 450301 | 450 | S |
| 2.000 | 3.061 | 3.067 | 0.375 | 473463 | 470 | S |
| 2.000 | 3.062 | 3.066 | 0.250 | 204508 | 2040 | S |
| 2.000 | 3.125 | 3.131 | 0.311 | 473242 | 470 | S |
| 2.000 | 3.150 | 3.155 | 0.375 | 412725 | 410 | S |
| 2.000 | 3.189 | 3.194 | 0.375 | 473464 | 470 | S |
| 2.000 | 3.189 | 3.194 | 0.437 | 450095 | 450 | S |

| Shaft | Bore | O.D. | Width | Part Number | Style | Matl |
|-------|-------|-------|-------|-------------|-------|------|
| 2.000 | 3.251 | 3.256 | 0.437 | 412027 | 410 | S |
| 2.000 | 3.350 | 3.355 | 0.468 | 412028 | 410 | S |
| 2.000 | 3.370 | - | 1.020 | 710007 | # | S |
| 2.000 | 3.371 | 3.378 | 0.469 | 410102 | 410 | S |
| 2.000 | 3.500 | 3.505 | 0.500 | 415627 | 410 | S |
| 2.000 | 3.543 | 3.548 | 0.500 | 455253 | 450 | S |

| | | | | | | |
|-------|-------|-------|-------|--------|------|---|
| 2.000 | 3.623 | 3.628 | 0.250 | 204506 | 2040 | S |
| 2.000 | 3.623 | 3.628 | 0.375 | 487945 | 480 | S |
| 2.000 | 4.003 | 4.008 | 0.468 | 55524 | 50S | S |

2.008" 51mm

| | | | | | | |
|-------|-------|-------|-------|-----------|-----|---|
| 2.008 | 2.441 | 2.446 | 0.276 | ◆710407 | 330 | S |
| 51 | 62 | 62.13 | 7 | | | |
| 2.008 | 2.480 | 2.487 | 0.236 | ◆494123 | 490 | S |
| 51 | 63 | 63.17 | 6 | | | |
| 2.008 | 2.480 | 2.487 | 0.236 | ◆710323 | 490 | S |
| 51 | 63 | 63.17 | 6 | | | |
| 2.008 | 2.559 | 2.565 | 0.276 | ◆225110 | 470 | S |
| 51 | 65 | 65.15 | 7 | | | |
| 2.008 | 2.559 | 2.563 | 0.276 | ◆516507XX | 470 | S |
| 51 | 65 | 65.10 | 7 | | | |

| | | | | | | |
|-------|-------|-------|-------|-------|-----|---|
| 2.008 | 2.756 | 2.767 | 0.433 | 8316→ | 320 | N |
| 2.008 | 2.756 | 2.767 | 0.433 | 8316N | 320 | N |

2.010"

| | | | | | | |
|-------|-------|-------|-------|------|-----|---|
| 2.010 | 2.650 | 2.655 | 0.363 | 3794 | 490 | S |
|-------|-------|-------|-------|------|-----|---|

2.031"

| | | | | | | |
|-------|---|-------|-------|------|---|---|
| 2.031 | - | 4.156 | 0.781 | 5797 | # | S |
|-------|---|-------|-------|------|---|---|

2.047" 52mm

| | | | | | | |
|-------|-------|-------|-------|---------|-----|---|
| 2.047 | 2.441 | 2.452 | 0.217 | ◆710253 | # | S |
| 52 | 62 | 62.28 | 5.50 | | | |
| 2.047 | 2.480 | 2.489 | 0.315 | ◆1975 | 320 | S |
| 52 | 63 | 63.23 | 8 | | | |
| 2.047 | 2.480 | 2.489 | 0.315 | ◆1975S | 320 | S |
| 52 | 63 | 63.23 | 8 | | | |
| 2.047 | 2.559 | 2.565 | 0.354 | ◆1955 | 350 | S |
| 52 | 65 | 65.15 | 9 | | | |
| 2.047 | 2.559 | 2.570 | 0.354 | ◆225208 | 320 | S |
| 52 | 65 | 65.28 | 9 | | | |

| | | | | | | |
|-------|-------|-------|-------|-----------|-----|---|
| 2.047 | 2.559 | 2.571 | 0.354 | ◆526509XX | 350 | S |
| 52 | 65 | 65.30 | 9 | | | |
| 2.047 | 2.598 | 2.603 | 0.295 | ◆4898 | 660 | S |
| 52 | 66 | 66.12 | 7.50 | | | |
| 2.047 | 2.598 | 2.609 | 0.354 | ◆225210 | 350 | N |
| 52 | 66 | 66.27 | 9 | | | |
| 2.047 | 2.638 | 2.649 | 0.276 | ◆1883 | 320 | S |
| 52 | 67 | 67.29 | 7 | | | |
| 2.047 | 2.677 | 2.683 | 0.256 | ◆225220 | 350 | S |
| 52 | 68 | 68.15 | 6.50 | | | |

| | | | | | | |
|-------|-------|-------|-------|---------|---|---|
| 2.047 | 2.677 | 2.683 | 0.256 | ◆710292 | # | S |
| 52 | 68 | 68.15 | 6.50 | | | |

| Shaft | Bore | O.D. | Width | Part Number | Style | Matl |
|-------|-------|-------|-------|-------------|-------|------|
| 2.047 | 2.677 | 2.683 | 0.295 | ◆1884 | 320 | S |
| 52 | 68 | 68.15 | 7.50 | | | |
| 2.047 | 2.677 | 2.683 | 0.295 | ◆710064 | # | S |
| 52 | 68 | 68.15 | 7.50 | | | |
| 2.047 | 2.677 | 2.688 | 0.299 | ◆4990 | 2810 | S |
| 52 | 68 | 68.28 | 7.60 | | | |
| 2.047 | 2.677 | 2.688 | 0.315 | ◆526808XX | 350 | S |
| 52 | 68 | 68.28 | 8 | | | |

| | | | | | | |
|-------|-------|-------|-------|-----------|-----|---|
| 2.047 | 2.677 | 2.683 | 0.315 | ◆710190 | 480 | V |
| 52 | 68 | 68.15 | 8 | | | |
| 2.047 | 2.677 | 2.685 | 0.512 | ◆710312 | 320 | S |
| 52 | 68 | 68.20 | 13 | | | |
| 2.047 | 2.717 | 2.728 | 0.394 | ◆526910XX | 350 | S |
| 52 | 69 | 69.28 | 10 | | | |
| 2.047 | 2.756 | 2.762 | 0.315 | ◆225225 | 470 | S |
| 52 | 70 | 70.16 | 8 | | | |
| 2.047 | 2.756 | 2.764 | 0.315 | ◆527008XX | 320 | S |
| 52 | 70 | 70.20 | 8 | | | |

| | | | | | | |
|-------|-------|-------|-------|-----------|-----|---|
| 2.047 | 2.756 | 2.767 | 0.335 | ◆710187→ | 320 | N |
| 52 | 70 | 70.28 | 8.50 | | | |
| 2.047 | 2.835 | 2.846 | 0.295 | ◆225540 | 320 | S |
| 52 | 72 | 72.29 | 7.50 | | | |
| 2.047 | 2.835 | 2.846 | 0.303 | ◆225230 | 350 | S |
| 52 | 72 | 72.29 | 7.70 | | | |
| 2.047 | 2.835 | 2.843 | 0.315 | ◆527208XX | 350 | S |
| 52 | 72 | 72.20 | 8 | | | |
| 2.047 | 2.835 | 2.846 | 0.315 | ◆710242→ | 320 | N |
| 52 | 72 | 72.29 | 8 | | | |

| | | | | | | |
|-------|-------|-------|-------|------------|-----|---|
| 2.047 | 2.953 | 2.957 | 0.295 | ◆225275 | 660 | S |
| 52 | 75 | 75.11 | 7.50 | | | |
| 2.047 | 2.953 | 2.964 | 0.472 | ◆527512XX | 350 | S |
| 52 | 75 | 75.28 | 12 | | | |
| 2.047 | 3.071 | 3.082 | 0.354 | ◆225278 | 350 | N |
| 52 | 78 | 78.28 | 9 | | | |
| 2.047 | 3.087 | 3.090 | 0.386 | ◆710107 | # | S |
| 52 | 78.40 | 78.49 | 9.80 | | | |
| 2.047 | 3.150 | 3.161 | 0.394 | ◆528010XX↔ | 320 | S |
| 52 | 80 | 80.28 | 10 | | | |

| | | | | | | |
|-------|-------|-------|-------|-----------|-----|---|
| 2.047 | 3.228 | 3.236 | 0.315 | ◆528208XX | 320 | S |
| 52 | 82 | 82.20 | 8 | | | |
| 2.047 | 3.346 | 3.354 | 0.315 | ◆528507XX | 320 | S |
| 52 | 85 | 85.20 | 8 | | | |

2.048"

| | | | | | | |
|-------|-------|-------|-------|------|------|---|
| 2.048 | 2.728 | 2.734 | 0.250 | 3087 | 2810 | S |
|-------|-------|-------|-------|------|------|---|

2.058"

| | | | | | | |
|-------|-------|-------|-------|--------|------|---|
| 2.058 | 3.149 | 3.154 | 0.270 | 200110 | 2000 | S |
|-------|-------|-------|-------|--------|------|---|

2.062" 2 1/16"

| | | | | | | |
|-------|-------|-------|-------|---------|-----|---|
| 2.062 | - | 4.735 | 0.468 | 6077 | # | S |
| 2.062 | 2.561 | 2.565 | 0.312 | 332134 | 330 | S |
| 2.062 | 2.561 | 2.565 | 0.313 | 484064V | 480 | V |
| 2.062 | 2.842 | 2.846 | 0.450 | 5877 | 50S | S |

| Shaft | Bore | O.D. | Width | Part Number | Style | Matl | Shaft | Bore | O.D. | Width | Part Number | Style | Matl |
|---------------|-------|-------|-------|-------------|-------|------|---------------|-------|-------|-------|-------------|-------|------|
| 2.062 | 2.996 | 3.001 | 0.375 | 473466 | 470 | S | 2.125 | 2.996 | 3.002 | 0.438 | 450115 | 450 | S |
| 2.062 | 3.000 | 3.006 | 0.311 | 472012 | 470 | S | 2.125 | 2.996 | 3.001 | 0.687 | 8650S | 10S | S |
| 2.062 | 3.000 | 3.006 | 0.313 | 6954S | 440 | S | 2.125 | 2.996 | 3.001 | 0.750 | 473467 | 470 | S |
| 2.062 | 3.000 | 3.005 | 0.375 | 2822V | 410 | V | 2.125 | 3.000 | 3.006 | 0.313 | 8430S | 490 | S |
| 2.062 | 3.000 | 3.005 | 0.437 | 412798N | 410 | N | 2.125 | 3.000 | 3.006 | 0.374 | 412015V | 410 | V |
| 2.062 | 3.061 | 3.066 | 0.500 | 450307 | 450 | S | 2.125 | 3.000 | 3.005 | 0.375 | 472015 | 470 | S |
| 2.062 | 3.125 | 3.130 | 0.500 | 450311 | 450 | S | 2.125 | 3.000 | 3.005 | 0.375 | 472015V | 470 | V |
| 2.062 | 3.151 | 3.156 | 0.240 | 5756 | 290 | F | 2.125 | 3.000 | 3.006 | 0.500 | 450303 | 450 | S |
| 2.062 | 3.189 | 3.194 | 0.437 | 450096 | 450 | S | 2.125 | 3.000 | 3.006 | 0.500 | 480303 | 480 | S |
| 2.062 | 3.190 | 3.194 | 0.437 | 416738 | 410 | S | 2.125 | 3.061 | 3.067 | 0.500 | 410308 | 410 | S |
| 2.062 | 3.250 | 3.310 | 0.500 | 80313 | 2000E | S | 2.125 | 3.061 | 3.067 | 0.500 | 450308 | 450 | S |
| 2.062 | 3.251 | 3.256 | 0.500 | 450313 | 450 | S | 2.125 | 3.061 | 3.067 | 0.500 | 470308N | 470 | N |
| 2.062 | 3.371 | 3.376 | 0.468 | 450343 | 450 | S | 2.125 | 3.061 | 3.067 | 0.500 | 473468 | 470 | S |
| 2.062 | 3.623 | 3.628 | 0.468 | 455260 | 450 | S | 2.125 | 3.061 | 3.066 | 0.687 | 30308 | 30S | S |
| 2.065" | | | | | | | 2.125 | 3.125 | 3.131 | 0.374 | 450312 | 450 | S |
| 2.065 | 3.130 | 3.130 | 0.294 | 200865 | 2000E | S | 2.125 | 3.125 | 3.131 | 0.374 | 472016 | 470 | S |
| 2.087" | | | | | | | 2.125 | 3.125 | 3.130 | 0.500 | 410312N | 410 | N |
| 53mm | | | | | | | 2.125 | 3.126 | 3.131 | 0.484 | 6389 | 290 | F |
| 2.087 | 0.106 | 2.685 | 0.276 | ◆710175 | 320 | S | 2.125 | 3.146 | 3.153 | 0.500 | 8243 | # | F |
| 53 | 2.69 | 68.20 | 7 | | | | 2.125 | 3.149 | 3.154 | 0.375 | 476535 | 470 | S |
| 2.093" | | | | | | | 2.125 | 3.189 | 3.194 | 0.437 | 39302 | TW-H | T |
| 2.093 | 2.716 | 2.725 | 0.250 | 340900 | 340 | S | 2.125 | 3.189 | 3.194 | 0.437 | 39717 | # | T |
| 2.093 | 2.716 | 2.721 | 0.406 | 6590S | 2040 | S | 2.125 | 3.189 | 3.194 | 0.437 | 39719 | # | T |
| 2.093 | 2.750 | 2.754 | 0.250 | 41013S | 40S | S | 2.125 | 3.189 | 3.194 | 0.437 | 450121 | 450 | S |
| 2.093 | 3.150 | 3.156 | 0.250 | 40973S | 40S | S | 2.125 | 3.193 | 3.198 | 0.812 | 7790H | # | H |
| 2.125" | | | | | | | 2.125 | 3.251 | 3.258 | 0.374 | 473243 | 470 | S |
| 2 1/8" | | | | | | | 2.125 | 3.350 | 3.355 | 0.375 | 413469 | 410 | S |
| 2.125 | 2.561 | 2.565 | 0.492 | 474069 | 470 | S | 2.125 | 3.371 | 3.376 | 0.312 | 440972 | 440 | S |
| 2.125 | 2.750 | 2.756 | 0.374 | 473204 | 470 | S | 2.125 | 3.371 | 3.372 | 0.375 | 413470 | 410 | S |
| 2.125 | 2.758 | 2.762 | 0.437 | 471950 | 470 | S | 2.125 | 3.371 | 3.376 | 0.468 | 410972N | 410 | N |
| 2.125 | 2.835 | 2.839 | 0.468 | 450639 | 450 | S | 2.125 | 3.371 | 3.376 | 0.468 | 410972N | 410 | N |
| 2.125 | 2.875 | 2.881 | 0.252 | 40566S | 40S | S | 2.125 | 3.436 | 3.440 | 0.625 | 6380 | 290 | F |
| 2.125 | 2.875 | 2.881 | 0.252 | 6626 | 440 | S | 2.125 | 3.436 | 3.440 | 0.625 | 6380S | 290 | F |
| 2.125 | 2.875 | 2.881 | 0.252 | 6626S | 40S | S | 2.125 | 3.500 | 3.505 | 0.375 | 416267 | 410 | S |
| 2.125 | 2.875 | 2.881 | 0.374 | 470898 | 470 | S | 2.125 | 3.543 | 3.550 | 0.500 | 415349 | 410 | S |
| 2.125 | 2.875 | 2.881 | 0.374 | 470898A | 470 | A | 2.125 | 3.623 | 3.628 | 0.468 | 455080 | 450 | S |
| 2.125 | 2.875 | 2.881 | 0.375 | 450365 | 450 | S | 2.126" | | | | | | |
| 2.125 | 2.875 | 2.881 | 0.375 | 450365N | 450 | N | 54mm | | | | | | |
| 2.125 | 2.875 | 2.881 | 0.375 | 450867 | 450 | S | 2.126 | 2.559 | 2.567 | 0.315 | ◆546508XX | 320 | S |
| 2.125 | 2.875 | 2.879 | 0.437 | 39851 | TFW-H | T | 54 | 65 | 65.20 | 8 | | | |
| 2.125 | 2.875 | 2.879 | 0.437 | 39853 | TFW-H | T | 2.126 | 2.559 | 2.565 | 0.512 | ◆2002 | 470 | S |
| 2.125 | 2.875 | 2.881 | 0.437 | 410867N | 410 | N | 54 | 65 | 65.15 | 13 | | | |
| 2.125 | 2.875 | 2.879 | 0.625 | 30365 | 30S | S | 2.126 | 2.598 | 2.605 | 0.295 | ◆225410 | # | S |
| 2.125 | 2.878 | 2.882 | 0.375 | 453066 | 450 | S | 54 | 66 | 66.17 | 7.50 | | | |
| 2.125 | 2.879 | 2.885 | 0.500 | 9599S→ | 470 | S | 2.126 | 2.717 | 2.726 | 0.295 | ◆710239 | 400 | N |
| 2.125 | 2.880 | 2.885 | 0.550 | 2457← | # | N | 54 | 69 | 69.23 | 7.50 | | | |
| | | | | | | | 2.126 | 2.835 | 2.844 | 0.394 | ◆225420 | 320 | S |
| | | | | | | | 54 | 72 | 72.25 | 10 | | | |
| | | | | | | | 2.126 | 2.835 | 2.844 | 0.394 | ◆547210XX | 320 | S |
| | | | | | | | 54 | 72 | 72.25 | 10 | | | |
| | | | | | | | 2.126 | 2.874 | 2.882 | 0.315 | ◆547308XX | 320 | S |
| | | | | | | | 54 | 73 | 73.20 | 8 | | | |
| | | | | | | | 2.126 | 2.874 | 2.890 | 0.502 | 712125→ | TFW-H | T |

| Shaft | Bore | O.D. | Width | Part Number | Style | Matl |
|--------------|-------|-------|-------|-------------|-------|------|
| 2.126 | 2.972 | 2.983 | 0.709 | ◆710073 | # | S |
| 54 | 75.50 | 75.78 | 18 | | | |
| 2.126 | 2.992 | 3.000 | 0.551 | 710438 | # | S |
| <hr/> | | | | | | |
| 2.126 | 3.228 | 3.240 | 0.315 | ◆225450 | 320 | S |
| 54 | 82 | 82.30 | 8 | | | |
| 2.126 | 3.228 | 3.242 | 0.394 | ◆548210XX | 320 | S |
| 54 | 82 | 82.35 | 10 | | | |
| 2.126 | 3.346 | 3.356 | 0.394 | 225460 | 320 | S |
| 2.126 | 3.346 | 3.357 | 0.394 | ◆548510XX | 320 | S |
| 54 | 85 | 85.28 | 10 | | | |

2.129"

| | | | | | | |
|--------------|-------|-------|-------|--------|-----|---|
| 2.129 | 2.891 | 2.895 | 0.250 | 42101S | 40S | S |
|--------------|-------|-------|-------|--------|-----|---|

2.136"

| | | | | | | |
|--------------|-------|-------|-------|-------|------|---|
| 2.136 | 2.902 | 2.909 | 0.310 | 8312 | 2720 | S |
| 2.136 | 2.902 | 2.909 | 0.310 | 8312S | 2720 | S |

2.156"

2 5/32"

| | | | | | | |
|--------------|-------|-------|-------|--------|-----|---|
| 2.156 | 2.880 | 2.885 | 0.375 | 100058 | TW | T |
| 2.156 | 3.189 | 3.196 | 0.437 | 450621 | 450 | S |
| 2.156 | 3.251 | 3.256 | 0.500 | 450869 | 450 | S |

2.165"

55mm

| | | | | | | |
|--------------|-------|-------|-------|-----------|-----|---|
| 2.165 | 2.677 | 2.683 | 0.256 | ◆710127 | # | S |
| 55 | 68 | 68.15 | 6.50 | | | |
| 2.165 | 2.677 | 2.688 | 0.315 | ◆225500 | 320 | S |
| 55 | 68 | 68.28 | 8 | | | |
| 2.165 | 2.677 | 2.688 | 0.315 | ◆556808XX | 320 | S |
| 55 | 68 | 68.28 | 8 | | | |
| 2.165 | 2.756 | 2.761 | 0.354 | 152807XX | 320 | S |
| 55 | 70 | 70.13 | 9 | | | |

| | | | | | | |
|--------------|-------|-------|-------|-----------|-----|---|
| 2.165 | 2.756 | 2.761 | 0.354 | ◆3723 | 660 | S |
| 55 | 70 | 70.13 | 9 | | | |
| 2.165 | 2.835 | 2.844 | 0.315 | ◆225530 | 350 | S |
| 55 | 72 | 72.24 | 8 | | | |
| 2.165 | 2.835 | 2.844 | 0.315 | ◆557208XX | 350 | S |
| 55 | 72 | 72.25 | 8 | | | |
| 2.165 | 2.835 | 2.846 | 0.394 | ◆225535 | 320 | S |
| 55 | 72 | 72.29 | 10 | | | |
| 2.165 | 2.913 | 2.920 | 0.236 | ◆1207 | 490 | S |
| 55 | 74 | 74.17 | 6 | | | |

| | | | | | | |
|--------------|-------|-------|-------|-----------|-----|---|
| 2.165 | 2.913 | 2.920 | 0.236 | ◆1207N | 490 | S |
| 55 | 74 | 74.17 | 6 | | | |
| 2.165 | 2.953 | 2.961 | 0.276 | ◆55X1007X | 320 | S |
| 55 | 75 | 75.20 | 7 | | | |
| 2.165 | 2.953 | 2.961 | 0.315 | ◆557508XX | 350 | S |
| 55 | 75 | 75.20 | 8 | | | |
| 2.165 | 2.953 | 2.962 | 0.394 | ◆225545 | 350 | S |
| 55 | 75 | 75.24 | 10 | | | |
| 2.165 | 2.953 | 2.967 | 0.394 | ◆557510XX | 350 | S |
| 55 | 75 | 75.35 | 10 | | | |

| | | | | | | |
|--------------|-------|-------|-------|-----------|-----|---|
| 2.165 | 3.071 | 3.082 | 0.394 | ◆557810XX | 350 | S |
| 55 | 78 | 78.28 | 10 | | | |

| Shaft | Bore | O.D. | Width | Part Number | Style | Matl |
|--------------|-------|-------|-------|-------------|-------|------|
| 2.165 | 3.150 | 3.161 | 0.315 | ◆558008XX | 350 | S |
| 55 | 80 | 80.28 | 8 | | | |
| 2.165 | 3.228 | 3.235 | 0.394 | ◆1958 | 350 | S |
| 55 | 82 | 82.17 | 10 | | | |
| 2.165 | 3.228 | 3.240 | 0.472 | ◆558212XX | 350 | S |
| 55 | 82 | 82.30 | 12 | | | |
| 2.165 | 3.346 | 3.359 | 0.394 | ◆558510XX | 350 | S |
| 55 | 85 | 85.31 | 10 | | | |

| | | | | | | |
|--------------|-------|--------|-------|------------|-----|---|
| 2.165 | 3.465 | 3.472 | 0.315 | ◆558808XX↔ | 320 | S |
| 55 | 88 | 88.20 | 8 | | | |
| 2.165 | 3.543 | 3.554 | 0.512 | ◆559013XX | 350 | S |
| 55 | 90 | 90.28 | 13 | | | |
| 2.165 | 3.937 | 3.949 | 0.500 | ◆55X10013X | 450 | S |
| 55 | 100 | 100.30 | 12.70 | | | |

2.167"

55mm

| | | | | | | |
|--------------|-------|-------|-------|-----------|-----|---|
| 2.167 | 2.756 | 2.767 | 0.315 | ◆557008XX | 350 | S |
| 55 | 70 | 70.27 | 8 | | | |

2.172"

| | | | | | | |
|--------------|-------|-------|-------|--------|---|---|
| 2.172 | 3.125 | 3.130 | 0.675 | 710413 | # | N |
|--------------|-------|-------|-------|--------|---|---|

2.180"

| | | | | | | |
|--------------|-------|-------|-------|---------|------|---|
| 2.180 | 2.999 | 3.003 | 0.250 | 4740 | 2820 | S |
| 2.180 | 3.000 | 3.006 | 0.500 | 8974S | 490 | S |
| 2.180 | 3.190 | 3.194 | 0.620 | 713103→ | 690 | V |

2.187"

2 3/16"

| | | | | | | |
|--------------|-------|-------|-------|--------|-----|---|
| 2.187 | 2.835 | 2.839 | 0.468 | 471952 | 470 | S |
| 2.187 | 2.875 | 2.881 | 0.374 | 450489 | 450 | S |
| 2.187 | 2.875 | 2.881 | 0.374 | 473244 | 470 | S |
| 2.187 | 2.996 | 3.001 | 0.375 | 472234 | 470 | S |
| 2.187 | 3.000 | 3.006 | 0.374 | 472018 | 470 | S |

| | | | | | | |
|--------------|-------|-------|-------|--------|-----|---|
| 2.187 | 3.062 | 3.066 | 0.375 | 473471 | 470 | S |
| 2.187 | 3.125 | 3.131 | 0.375 | 472020 | 470 | S |
| 2.187 | 3.187 | 3.194 | 0.687 | 6636S | 350 | S |
| 2.187 | 3.189 | 3.194 | 0.437 | 470354 | 470 | S |
| 2.187 | 3.189 | 3.194 | 0.718 | 6186 | 10S | S |

| | | | | | | |
|--------------|-------|-------|-------|--------|-----|---|
| 2.187 | 3.251 | 3.258 | 0.374 | 473245 | 470 | S |
| 2.187 | 3.350 | 3.355 | 0.375 | 412943 | 410 | S |
| 2.187 | 3.371 | 3.376 | 0.375 | 413472 | 410 | S |
| 2.187 | 3.500 | 3.505 | 0.375 | 416268 | 410 | S |
| 2.187 | 3.623 | 3.628 | 0.468 | 415350 | 410 | S |

2.188"

| | | | | | | |
|--------------|-------|-------|-------|-------|-----|---|
| 2.188 | 3.188 | 3.199 | 0.618 | 3103→ | 690 | S |
|--------------|-------|-------|-------|-------|-----|---|

2.199"

| | | | | | | |
|--------------|-------|-------|-------|------|-----|---|
| 2.199 | 3.519 | 3.523 | 0.590 | 2286 | 740 | S |
|--------------|-------|-------|-------|------|-----|---|

| Shaft | Bore | O.D. | Width | Part Number | Style | Matl |
|--------------------|-------|-------|-------|-------------|-------|------|
| 2.200" | | | | | | |
| 2.200 | 2.804 | - | 0.300 | 710171 | # | N |
| 2.200 | 3.022 | 3.028 | 0.422 | 4741← | # | N |
| 2.201" | | | | | | |
| 2.201 | 2.735 | 2.741 | 0.197 | 3553 | 2840 | S |
| 2.205" 56mm | | | | | | |
| 2.205 | 2.598 | 2.606 | 0.669 | ◆710382 | # | S |
| 56 | 66 | 66.20 | 17 | | | |
| 2.205 | 2.677 | 2.683 | 0.177 | ◆1932 | 490 | S |
| 56 | 68 | 68.15 | 4.50 | | | |
| 2.205 | 2.677 | 2.683 | 0.177 | ◆1932S | 490 | S |
| 56 | 68 | 68.15 | 4.50 | | | |
| 2.205 | 2.677 | 2.682 | 0.394 | ◆566810XX | 480 | N |
| 56 | 68 | 68.12 | 10 | | | |
| 2.205 | 2.756 | 2.764 | 0.315 | ◆567008XX | 350 | S |
| 56 | 70 | 70.20 | 8 | | | |
| 2.205 | 2.835 | 2.843 | 0.276 | ◆567207XX | 320 | S |
| 56 | 72 | 72.20 | 7 | | | |
| 2.205 | 2.835 | 2.843 | 0.315 | 710393 | # | S |
| 2.205 | 2.835 | 2.840 | 0.354 | ◆225650 | 320 | S |
| 56 | 72 | 72.14 | 9 | | | |
| 2.205 | 2.835 | 2.841 | 0.429 | ◆710069 | # | S |
| 56 | 72 | 72.16 | 10.90 | | | |
| 2.205 | 2.835 | 2.850 | 0.453 | ◆56X72115XX | 350 | S |
| 56 | 72 | 72.40 | 11.50 | | | |
| 2.205 | 2.835 | 2.845 | 0.492 | ◆225227 | # | S |
| 56 | 72 | 72.27 | 12.50 | | | |
| 2.205 | 2.874 | 2.880 | 0.295 | ◆1993 | 470 | S |
| 56 | 73 | 73.15 | 7.50 | | | |
| 2.205 | 2.874 | 2.880 | 0.295 | ◆225673 | # | S |
| 56 | 73 | 73.15 | 7.50 | | | |
| 2.205 | 2.913 | 2.920 | 0.335 | ◆710176 | 870 | S |
| 56 | 74 | 74.17 | 8.50 | | | |
| 2.205 | 2.921 | 2.928 | 0.256 | ◆710125 | # | S |
| 56 | 74.20 | 74.37 | 6.50 | | | |
| 2.205 | 2.953 | 2.958 | 0.260 | ◆4899 | 660 | S |
| 56 | 75 | 75.13 | 6.60 | | | |
| 2.205 | 2.953 | 2.966 | 0.276 | ◆225775 | # | S |
| 56 | 75 | 75.33 | 7 | | | |
| 2.205 | 2.953 | 2.961 | 0.276 | ◆567507XX | 320 | S |
| 56 | 75 | 75.20 | 7 | | | |
| 2.205 | 2.992 | 2.998 | 0.193 | ◆710108 | 660 | S |
| 56 | 76 | 76.15 | 4.90 | | | |
| 2.205 | 3.071 | 3.082 | 0.295 | ◆225678 | # | S |
| 56 | 78 | 78.28 | 7.50 | | | |
| 2.205 | 3.150 | 3.161 | 0.315 | ◆568008XX | 320 | S |
| 56 | 80 | 80.28 | 8 | | | |
| 2.205 | 3.228 | 3.236 | 0.315 | ◆568208XX | 320 | S |
| 56 | 82 | 82.20 | 8 | | | |
| 2.205 | 3.346 | 3.357 | 0.315 | ◆568508XX | 350 | S |
| 56 | 85 | 85.28 | 8 | | | |
| 2.205 | 3.465 | 3.472 | 0.315 | ◆568808XX | 320 | S |
| 56 | 88 | 88.20 | 8 | | | |

| Shaft | Bore | O.D. | Width | Part Number | Style | Matl |
|----------------------|-------|-------|-------|-------------|-------|------|
| 2.205 | 3.543 | 3.551 | 0.315 | ◆569008XX | 320 | S |
| 56 | 90 | 90.20 | 8 | | | |
| 2.205 | 4.803 | 4.813 | 0.315 | 710086 | # | S |
| 2.218" | | | | | | |
| 2.218 | 3.350 | 3.355 | 0.468 | 50631 | 50S | S |
| 2.222" | | | | | | |
| 2.222 | 3.543 | 3.548 | 0.760 | 7568 | # | H |
| 2.240" | | | | | | |
| 2.240 | 2.992 | 2.998 | 0.255 | 710183 | 660 | S |
| 2.240 | 3.190 | 3.194 | 0.450 | 3095 | 690 | S |
| 2.244" 57mm | | | | | | |
| 2.244 | 2.638 | 2.649 | 0.236 | ◆1984 | 250 | S |
| 57 | 67 | 67.29 | 6 | | | |
| 2.244 | 2.835 | 2.840 | 0.331 | ◆1964 | 470 | S |
| 57 | 72 | 72.14 | 8.40 | | | |
| 2.244 | 3.031 | 3.039 | 0.315 | ◆710129 | # | S |
| 57 | 77 | 77.20 | 8 | | | |
| 2.244 | 3.110 | 3.120 | 0.539 | ◆710072 | # | S |
| 57 | 79 | 79.25 | 13.70 | | | |
| 2.244 | 3.110 | 3.120 | 0.539 | ◆710074 | # | S |
| 57 | 79 | 79.25 | 13.70 | | | |
| 2.244 | 3.150 | 3.154 | 0.315 | 710225 | # | S |
| 2.244 | 3.189 | 3.196 | 0.315 | ◆1928 | 470 | S |
| 57 | 81 | 81.18 | 8 | | | |
| 2.244 | 3.346 | 3.354 | 0.512 | ◆578513XX | 320 | S |
| 57 | 85 | 85.20 | 13 | | | |
| 2.248" | | | | | | |
| 2.248 | 2.996 | 3.002 | 0.500 | 450441 | 450 | S |
| 2.250" 2 1/4" | | | | | | |
| 2.250 | - | 2.840 | 0.500 | 710045 | VS1 | S |
| 2.250 | 2.625 | 2.636 | 0.187 | 341022 | 340 | S |
| 2.250 | 2.675 | 2.720 | 0.539 | 722109 | VS1 | S |
| 2.250 | 2.750 | 2.754 | 0.250 | 710026 | # | U |
| 2.250 | 2.875 | 2.879 | 0.250 | 43034S | 40S | S |
| 2.250 | 2.996 | 3.001 | 0.437 | 471341 | 470 | S |
| 2.250 | 2.996 | 3.001 | 0.437 | 471341N | 470 | N |
| 2.250 | 3.000 | 3.006 | 0.250 | 40520S | 40S | S |
| 2.250 | 3.000 | 3.006 | 0.374 | 410520 | 410 | S |
| 2.250 | 3.000 | 3.006 | 0.374 | 471272 | 470 | S |
| 2.250 | 3.000 | 3.006 | 0.374 | 471272N | 470 | N |
| 2.250 | 3.000 | 3.005 | 0.375 | 712250 | 470 | V |
| 2.250 | 3.000 | 3.005 | 0.438 | 483323V | 480 | V |
| 2.250 | 3.035 | 3.046 | 0.374 | 352637 | 350 | S |

| Shaft | Bore | O.D. | Width | Part Number | Style | Matl |
|---------------|-------|-------|-------|-------------|-------|-------------|
| 2.250 | 3.061 | 3.067 | 0.375 | 473473 | 470 | S |
| 2.250 | 3.061 | 3.066 | 0.500 | 7937N | 410 | N |
| 2.250 | 3.125 | 3.130 | 0.250 | 40433S | 40S | S |
| 2.250 | 3.125 | 3.131 | 0.374 | 471138 | 470 | S |
| 2.250 | 3.188 | 3.195 | 0.438 | 450737 | 450 | S |
| 2.250 | 3.188 | 3.195 | 0.438 | 470737 | 470 | S |
| 2.250 | 3.188 | 3.195 | 0.438 | 470737N | 470 | N |
| 2.250 | 3.189 | 3.149 | 0.437 | 30737 | 410 | S |
| 2.250 | 3.189 | 3.194 | 0.437 | 410737 | 410 | S |
| 2.250 | 3.189 | 3.194 | 0.437 | 50737 | 50S | S |
| 2.250 | 3.249 | 3.250 | 0.285 | 200763 | 2000E | S |
| 2.250 | 3.251 | 3.258 | 0.251 | 40316S | 40S | S |
| 2.250 | 3.251 | 3.258 | 0.374 | 472636 | 470 | S |
| 2.250 | 3.251 | 3.258 | 0.500 | 410316 | 410 | S |
| 2.250 | 3.251 | 3.258 | 0.500 | 450316 | 450 | S |
| 2.250 | 3.252 | 3.260 | 0.551 | 712512← | # | N |
| 2.250 | 3.310 | 3.317 | 0.375 | 44052 | 40S | S |
| 2.250 | 3.350 | 3.355 | 0.312 | 454136N | 450 | N |
| 2.250 | 3.350 | 3.355 | 0.375 | 411253 | 410 | S |
| 2.250 | 3.350 | 3.357 | 0.469 | 450099 | 450 | S |
| 2.250 | 3.371 | 3.378 | 0.374 | 412920 | 410 | S |
| 2.250 | 3.371 | 3.378 | 0.374 | 412920V | 410 | V |
| 2.250 | 3.371 | 3.378 | 0.374 | 442109 | 440 | S |
| 2.250 | 3.371 | 3.378 | 0.438 | 450132 | 450 | S |
| 2.250 | 3.400 | 3.700 | 0.280 | 200929 | 2000E | S |
| 2.250 | 3.443 | 3.447 | 0.250 | 41075S | 40S | S |
| 2.250 | 3.481 | 3.486 | 0.500 | 455136 | 450 | S |
| 2.250 | 3.500 | 3.505 | 0.375 | 411376 | 410 | S |
| 2.250 | 3.500 | 3.505 | 0.500 | 455093 | 450 | S |
| 2.250 | 3.543 | 3.548 | 0.500 | 416270 | 410 | S |
| 2.250 | 3.623 | 3.628 | 0.468 | 475234N | 470 | N |
| 2.250 | 3.623 | 3.630 | 0.469 | 415234 | 410 | S |
| 2.250 | 3.750 | 3.757 | 0.500 | 415259 | 410 | S |
| 2.250 | 3.876 | 3.881 | 0.468 | 55337 | 50S | S |
| 2.250 | 4.003 | 4.010 | 0.469 | 415254 | 410 | S |
| 2.250 | 4.064 | 4.069 | 1.092 | 722250 | 900 | N |
| 2.250 | 4.064 | 4.069 | 1.092 | 722250S | 900 | N |
| 2.272" | | | | | | |
| 2.272 | 2.654 | 2.661 | 0.250 | 39821 | TW | T |
| 2.281" | | | | | | |
| 2.281 | 3.154 | 3.161 | 0.375 | 493291 | 490 | S |
| 2.283" | | | | | | |
| | | | | | | 58mm |
| 2.283 | 2.835 | 2.846 | 0.315 | ◆587208XX | 350 | S |
| 58 | 72 | 72.28 | 8 | | | |

| Shaft | Bore | O.D. | Width | Part Number | Style | Matl |
|-----------------------|-------|-------|-------|-------------|-------|------|
| 2.283 | 2.874 | 2.878 | 0.335 | 710439 | # | S |
| 2.283 | 2.913 | 2.924 | 0.394 | ◆710271← | 320 | S |
| 58 | 74 | 74.27 | 10 | | | |
| 2.283 | 2.913 | 2.918 | 0.512 | ◆225874 | 1010 | N |
| 58 | 74 | 74.12 | 13 | | | |
| 2.283 | 2.953 | 2.961 | 0.276 | 710136 | # | S |
| 2.283 | 2.953 | 2.964 | 0.354 | ◆225875 | 320 | S |
| 58 | 75 | 75.29 | 9 | | | |
| 2.283 | 2.953 | 2.959 | 0.354 | ◆710400 | 470 | S |
| 58 | 75 | 75.16 | 9 | | | |
| 2.283 | 2.953 | 2.964 | 0.433 | ◆587511XX | 350 | S |
| 58 | 75 | 75.28 | 11 | | | |
| 2.283 | 2.992 | 3.001 | 0.307 | ◆710230 | # | S |
| 58 | 76 | 76.23 | 7.80 | | | |
| 2.283 | 3.031 | 3.042 | 0.335 | ◆225877 | 350 | N |
| 58 | 77 | 77.27 | 8.50 | | | |
| 2.283 | 3.071 | 3.082 | 0.394 | ◆710144← | # | S |
| 58 | 78 | 78.28 | 10 | | | |
| 2.283 | 3.150 | 3.161 | 0.315 | ◆225880 | 350 | S |
| 58 | 80 | 80.29 | 8 | | | |
| 2.283 | 3.150 | 3.161 | 0.315 | ◆588008XX | 350 | S |
| 58 | 80 | 80.28 | 8 | | | |
| 2.283 | 3.346 | 3.356 | 0.512 | ◆588513XX | 320 | S |
| 58 | 85 | 85.25 | 13 | | | |
| 2.283 | 3.465 | 3.472 | 0.315 | ◆588808XX | 320 | S |
| 58 | 88 | 88.20 | 8 | | | |
| 2.283 | 3.543 | 3.554 | 0.394 | ◆589010XX | 350 | S |
| 58 | 90 | 90.28 | 10 | | | |
| 2.283 | 4.055 | 4.063 | 0.433 | 710268 | 400 | N |
| 2.293" | | | | | | |
| 2.293 | 3.148 | 3.154 | 0.358 | 204035 | 2040 | S |
| 2.296" | | | | | | |
| 2.296 | 3.148 | 3.153 | 0.359 | 205035 | 2050 | F |
| 2.312" 2 5/16" | | | | | | |
| 2.312 | 3.000 | 3.004 | 0.375 | 4131 | 2870 | S |
| 2.312 | 3.000 | 3.005 | 0.500 | 411160V | 410 | V |
| 2.312 | 3.065 | 3.070 | 0.281 | 43109S | 40S | S |
| 2.312 | 3.251 | 3.256 | 0.375 | 411394 | 410 | S |
| 2.312 | 3.313 | 3.318 | 0.375 | 5924 | 40S | S |
| 2.312 | 3.350 | 3.355 | 0.375 | 410694 | 410 | S |
| 2.312 | 3.371 | 3.376 | 0.468 | 450133 | 450 | S |
| 2.312 | 3.500 | 3.505 | 0.375 | 416444 | 410 | S |
| 2.312 | 3.751 | 3.756 | 0.500 | 455321 | 450 | S |
| 2.313" | | | | | | |
| 2.313 | 3.125 | 3.131 | 0.375 | 472150 | 470 | S |
| 2.313 | 3.251 | 3.258 | 0.500 | 450317 | 450 | S |

| Shaft | Bore | O.D. | Width | Part Number | Style | Matl |
|--------------------|-------|--------|-------|-------------|-------|------|
| 2.314" | | | | | | |
| 2.314 | 3.000 | 3.006 | 0.382 | 442874 | 440 | S |
| 2.321" | | | | | | |
| 2.321 | 3.000 | 3.004 | 0.313 | 493629 | 490 | S |
| 2.323" 59mm | | | | | | |
| 2.323 | 2.953 | 2.957 | 0.394 | ◆710168 | 470 | S |
| 59 | 75 | 75.11 | 10 | | | |
| 2.323 | 3.083 | 3.093 | 0.315 | 710229 | 400 | S |
| 2.323 | 3.083 | 3.093 | 0.315 | 710231 | 320 | S |
| 2.323 | 3.937 | 3.948 | 0.394 | ◆710121 | # | N |
| 59 | 100 | 100.28 | 10 | | | |
| 2.325" | | | | | | |
| 2.325 | 3.125 | 3.130 | 0.313 | 710430 | # | S |
| 2.325 | 3.375 | 3.390 | 0.375 | 712101→ | TFW-H | T |
| 2.328" | | | | | | |
| 2.328 | 3.000 | 3.006 | 0.375 | 332271N | 330 | N |
| 2.328 | 3.000 | 3.006 | 0.375 | 3945 | 480 | N |
| 2.328 | 3.000 | 3.006 | 0.375 | 3946 | 860 | S |
| 2.328 | 3.000 | 3.006 | 0.375 | 493637 | 490 | S |
| 2.362" 60mm | | | | | | |
| 2.362 | 2.835 | 2.841 | 0.295 | ◆710379 | 470 | S |
| 60 | 72 | 72.16 | 7.50 | | | |
| 2.362 | 2.835 | 2.846 | 0.315 | ◆607208XX | 350 | S |
| 60 | 72 | 72.28 | 8 | | | |
| 2.362 | 2.913 | 2.917 | 0.394 | 226001← | 250 | V |
| 2.362 | 2.953 | 2.959 | 0.228 | ◆710093 | # | S |
| 60 | 75 | 75.16 | 5.80 | | | |
| 2.362 | 2.953 | 2.964 | 0.315 | ◆607508XX | 350 | S |
| 60 | 75 | 75.28 | 8 | | | |
| 2.362 | 2.953 | 2.964 | 0.354 | ◆226015← | 320 | N |
| 60 | 75 | 75.29 | 9 | | | |
| 2.362 | 2.953 | 2.972 | 0.394 | 712113→ | TFW-H | T |
| 2.362 | 3.071 | 3.082 | 0.354 | ◆226018 | 350 | N |
| 60 | 78 | 78.28 | 9 | | | |
| 2.362 | 3.150 | 3.161 | 0.315 | ◆1039S | 350 | S |
| 60 | 80 | 80.29 | 8 | | | |
| 2.362 | 3.150 | 3.157 | 0.315 | ◆608008XX | 350 | S |
| 60 | 80 | 80.20 | 8 | | | |
| 2.362 | 3.150 | 3.157 | 0.315 | 710333 | 320 | S |
| 2.362 | 3.228 | 3.236 | 0.276 | ◆608207XX | 320 | S |
| 60 | 82 | 82.20 | 7 | | | |
| 2.362 | 3.228 | 3.239 | 0.472 | ◆2001← | 320 | S |
| 60 | 82 | 82.27 | 12 | | | |
| 2.362 | 3.228 | 3.240 | 0.472 | ◆608212XX | 350 | S |
| 60 | 82 | 82.30 | 12 | | | |

| Shaft | Bore | O.D. | Width | Part Number | Style | Matl |
|----------------------|-------|--------|-------|--------------|-------|------|
| 2.362 | 3.228 | 3.236 | 0.472 | 710350 | # | V |
| 2.362 | 3.228 | 3.236 | 0.472 | ◆710390→ | 320 | N |
| 60 | 82 | 82.20 | 12 | | | |
| 2.362 | 3.228 | 3.239 | 0.472 | ◆712006← | 320 | H |
| 60 | 82 | 82.27 | 12 | | | |
| 2.362 | 3.346 | 3.357 | 0.315 | ◆608508XX | 350 | S |
| 60 | 85 | 85.28 | 8 | | | |
| 2.362 | 3.346 | 3.354 | 0.472 | ◆608512XX | 320 | S |
| 60 | 85 | 85.20 | 12 | | | |
| 2.362 | 3.386 | 3.393 | 0.276 | ◆710182 | 660 | S |
| 60 | 86 | 86.18 | 7 | | | |
| 2.362 | 3.543 | 3.553 | 0.315 | ◆609008XX | 320 | S |
| 60 | 90 | 90.25 | 8 | | | |
| 2.362 | 3.543 | 3.554 | 0.394 | ◆609010XX | 350 | S |
| 60 | 90 | 90.27 | 10 | | | |
| 2.362 | 3.543 | 3.550 | 0.551 | ◆1985 | 480 | S |
| 60 | 90 | 90.17 | 14 | | | |
| 2.362 | 3.543 | 3.550 | 0.551 | ◆1985S | 480 | S |
| 60 | 90 | 90.17 | 14 | | | |
| 2.362 | 3.740 | 3.748 | 0.315 | ◆609508XX | 320 | S |
| 60 | 95 | 95.20 | 8 | | | |
| 2.362 | 3.937 | 3.945 | 0.394 | ◆60X10010XX↔ | 320 | N |
| 60 | 100 | 100.20 | 10 | | | |
| 2.362 | 4.055 | 4.062 | 0.472 | ◆710276 | 400 | N |
| 60 | 103 | 103.18 | 12 | | | |
| 2.362 | 4.331 | 4.339 | 0.315 | ◆60X11008XX | 320 | S |
| 60 | 110 | 110.20 | 8 | | | |
| 2.367" | | | | | | |
| 2.367 | 3.366 | 3.374 | 0.257 | 4539H | 750 | H |
| 2.374" | | | | | | |
| 2.374 | 3.350 | 3.357 | 0.251 | 442507 | 440 | S |
| 2.375" 2 3/8" | | | | | | |
| 2.375 | - | 3.375 | 0.510 | 353890 | 350 | S |
| 2.375 | 2.875 | 2.879 | 0.375 | 710041 | # | U |
| 2.375 | 2.996 | 3.001 | 0.500 | 470764 | 470 | S |
| 2.375 | 3.000 | 3.005 | 0.250 | 41026S | 40S | S |
| 2.375 | 3.000 | 3.005 | 0.375 | 473573 | 470 | S |
| 2.375 | 3.002 | 3.013 | 0.437 | 3393← | 320 | V |
| 2.375 | 3.061 | 3.067 | 0.375 | 473474 | 470 | S |
| 2.375 | 3.061 | 3.066 | 0.500 | 480988H | 480 | H |
| 2.375 | 3.125 | 3.131 | 0.374 | 470565 | 470 | S |
| 2.375 | 3.189 | 3.194 | 0.375 | 473475 | 470 | S |
| 2.375 | 3.251 | 3.258 | 0.374 | 413246 | 410 | S |
| 2.375 | 3.251 | 3.256 | 0.375 | 483246N | 480 | N |
| 2.375 | 3.251 | 3.256 | 0.437 | 412038N | 410 | N |
| 2.375 | 3.251 | 3.256 | 0.500 | 470574N | 470 | N |
| 2.375 | 3.251 | 3.256 | 0.625 | 710210 | 740 | V |
| 2.375 | 3.252 | 3.256 | 0.500 | 480574H | 480 | H |
| 2.375 | 3.265 | 3.270 | 0.495 | 5119 | 490 | S |

| Shaft | Bore | O.D. | Width | Part Number | Style | Matl |
|---------------|-------|-------|-------|----------------|-------|------|
| 2.375 | 3.350 | 3.355 | 0.250 | 40101S | 40S | S |
| 2.375 | 3.350 | 3.355 | 0.375 | 412119 | 410 | S |
| 2.375 | 3.350 | 3.355 | 0.438 | 472856 | 470 | S |
| <hr/> | | | | | | |
| 2.375 | 3.350 | 3.355 | 0.468 | 410101N | 410 | N |
| 2.375 | 3.350 | 3.357 | 0.469 | 450101 | 450 | S |
| 2.375 | 3.371 | 3.378 | 0.375 | 413247 | 410 | S |
| 2.375 | 3.371 | 3.378 | 0.469 | 450350 | 450 | S |
| 2.375 | 3.471 | 3.616 | 0.290 | 200855 | 2000E | S |
| <hr/> | | | | | | |
| 2.375 | 3.471 | 3.616 | 0.290 | 200855S | 200E | S |
| 2.375 | 3.481 | 3.486 | 0.437 | 470987 | 470 | S |
| 2.375 | 3.483 | 3.490 | 0.500 | 410686N | 410 | N |
| 2.375 | 3.483 | 3.490 | 0.500 | 410987 | 410 | S |
| 2.375 | 3.483 | 3.490 | 0.500 | 450103 | 450 | S |
| <hr/> | | | | | | |
| 2.375 | 3.483 | 3.490 | 0.500 | 450686 | 450 | S |
| 2.375 | 3.500 | 3.507 | 0.374 | 416271 | 410 | S |
| 2.375 | 3.500 | 3.507 | 0.374 | 416271A | 410 | A |
| 2.375 | 3.500 | 3.505 | 0.375 | 475095 | 470 | S |
| 2.375 | 3.500 | 3.505 | 0.375 | 475095N | 470 | N |
| <hr/> | | | | | | |
| 2.375 | 3.543 | 3.550 | 0.500 | 412861 | 410 | S |
| 2.375 | 3.543 | 3.548 | 0.500 | 415248N | 410 | N |
| 2.375 | 3.601 | 3.608 | 0.437 | 415857 | 410 | S |
| 2.375 | 3.623 | 3.628 | 0.375 | 410825 | 410 | S |
| 2.375 | 3.623 | 3.628 | 0.468 | 475380N | 470 | N |
| <hr/> | | | | | | |
| 2.375 | 3.623 | 3.628 | 0.500 | 456472N | 450 | N |
| 2.375 | 3.751 | 3.756 | 0.500 | 416071 | 410 | S |
| 2.375 | 3.875 | 3.881 | 1.060 | 711553 | 740 | N |
| 2.375 | 3.876 | 3.881 | 0.375 | 417480 | 410 | S |
| 2.375 | 3.876 | 3.883 | 0.468 | 455860 | 450 | S |
| <hr/> | | | | | | |
| 2.375 | 4.064 | 4.069 | 1.092 | 712375 | 900 | N |
| 2.375 | 4.498 | 4.504 | 0.391 | 714512 | 870 | N |
| 2.375 | 4.500 | 4.504 | 1.060 | 710006→ | 740 | N |
| <hr/> | | | | | | |
| 2.402" | | | | 61mm | | |
| 2.402 | 2.992 | 3.003 | 0.276 | ◆226150 | # | S |
| 61 | 76 | 76.28 | 7 | | | |
| <hr/> | | | | | | |
| 2.420" | | | | | | |
| 2.420 | 3.000 | 3.006 | 0.394 | 4160 | 2810 | S |
| <hr/> | | | | | | |
| 2.432" | | | | | | |
| 2.432 | 3.070 | 3.075 | 0.227 | 4019N | 470 | N |
| <hr/> | | | | | | |
| 2.437" | | | | 2 7/16" | | |
| 2.437 | 3.125 | 3.130 | 0.375 | 471887 | 470 | S |
| 2.437 | 3.350 | 3.355 | 0.375 | 411500 | 410 | S |
| 2.437 | 3.371 | 3.376 | 0.375 | 413478 | 410 | S |
| 2.437 | 3.481 | 3.486 | 0.500 | 450104 | 450 | S |

| Shaft | Bore | O.D. | Width | Part Number | Style | Matl |
|---------------|-------|--------|-------|-------------|-------|------|
| 2.437 | 3.500 | 3.505 | 0.375 | 411245 | 410 | S |
| <hr/> | | | | | | |
| 2.437 | 3.500 | 3.505 | 0.500 | 455096 | 450 | S |
| 2.437 | 3.543 | 3.548 | 0.375 | 417073 | 410 | S |
| 2.437 | 3.624 | 3.628 | 0.375 | 3210 | 490 | S |
| <hr/> | | | | | | |
| 2.438" | | | | | | |
| 2.438 | 3.251 | 3.258 | 0.438 | 412040 | 410 | S |
| <hr/> | | | | | | |
| 2.441" | | | | 62mm | | |
| 2.441 | 3.071 | 3.077 | 0.374 | ◆710213 | 2810 | S |
| 62 | 78 | 78.16 | 9.50 | | | |
| 2.441 | 3.150 | 3.157 | 0.315 | ◆628009XX | 320 | S |
| 62 | 80 | 80.20 | 9 | | | |
| 2.441 | 3.150 | 3.161 | 0.394 | ◆628010XX | 350 | S |
| 62 | 80 | 80.28 | 10 | | | |
| 2.441 | 3.346 | 3.353 | 0.315 | ◆226285 | 410 | S |
| 62 | 85 | 85.17 | 8 | | | |
| 2.441 | 3.346 | 3.352 | 0.315 | ◆628508XX | 410 | S |
| 62 | 85 | 85.13 | 8 | | | |
| <hr/> | | | | | | |
| 2.441 | 3.543 | 3.554 | 0.394 | ◆629010XX | 350 | S |
| 62 | 90 | 90.28 | 10 | | | |
| 2.441 | 3.937 | 3.949 | 0.276 | ◆62X10007XX | 320 | S |
| 62 | 100 | 100.30 | 7 | | | |
| <hr/> | | | | | | |
| 2.468" | | | | | | |
| 2.468 | 3.350 | 3.355 | 0.468 | 50560 | 50S | S |
| <hr/> | | | | | | |
| 2.474" | | | | | | |
| 2.474 | 3.543 | 3.548 | 0.285 | 6575S | 2000 | S |
| <hr/> | | | | | | |
| 2.480" | | | | 63mm | | |
| 2.480 | 3.310 | 3.316 | 0.500 | 6785 | 350 | F |
| 2.480 | 3.346 | 3.357 | 0.394 | ◆638510XX | 320 | S |
| 63 | 85 | 85.28 | 10 | | | |
| 2.480 | 3.543 | 3.550 | 0.276 | ◆1935 | 470 | S |
| 63 | 90 | 90.17 | 7 | | | |
| 2.480 | 3.543 | 3.549 | 0.394 | ◆639010XX | 320 | S |
| 63 | 90 | 90.14 | 10 | | | |
| <hr/> | | | | | | |
| 2.485" | | | | | | |
| 2.485 | 3.165 | 2.488 | 0.188 | 710042 | # | U |
| <hr/> | | | | | | |
| 2.496" | | | | | | |
| 2.496 | 3.672 | 3.772 | 0.315 | 200851 | 2000E | S |
| <hr/> | | | | | | |
| 2.497" | | | | | | |
| 2.497 | 3.245 | 3.248 | 0.485 | 5109 | # | S |

| Shaft | Bore | O.D. | Width | Part Number | Style | Matl |
|---------------|-------|---------------|-------|-------------|-------|------|
| 2.500" | | 2 1/2" | | | | |
| 2.500 | 3.000 | 3.005 | 0.250 | 40555 | 40S | S |
| 2.500 | 3.000 | 3.005 | 0.250 | 40555S | 40S | S |
| 2.500 | 3.000 | 3.004 | 0.313 | 710027 | # | U |
| 2.500 | 3.000 | 3.015 | 0.375 | 710034 | # | U |
| 2.500 | 3.125 | 3.130 | 0.250 | 43290S | 40S | S |
| 2.500 | 3.125 | 3.130 | 0.547 | 9946N | # | N |
| 2.500 | 3.130 | 3.135 | 0.315 | 39803 | TFW-H | T |
| 2.500 | 3.148 | 3.154 | 0.250 | 40337S | 40S | S |
| 2.500 | 3.150 | 3.155 | 0.315 | 473476 | 470 | N |
| 2.500 | 3.189 | 3.194 | 0.375 | 472029 | 470 | S |
| 2.500 | 3.226 | 3.231 | 0.190 | 3942 | 2840 | S |
| 2.500 | 3.250 | 3.255 | 0.375 | 710018 | # | U |
| 2.500 | 3.251 | 3.258 | 0.374 | 410519 | 410 | S |
| 2.500 | 3.251 | 3.258 | 0.374 | 410752 | 410 | S |
| 2.500 | 3.251 | 3.258 | 0.374 | 471271A | 470 | A |
| 2.500 | 3.251 | 3.258 | 0.374 | 471271V | 470 | V |
| 2.500 | 3.251 | 3.258 | 0.437 | 450519 | 450 | S |
| 2.500 | 3.251 | 3.256 | 0.500 | 480519 | 480 | S |
| 2.500 | 3.252 | 3.259 | 0.250 | 442380 | 440 | S |
| 2.500 | 3.297 | 3.304 | 0.327 | 4250↔ | 740 | S |
| 2.500 | 3.350 | 3.357 | 0.437 | 450496 | 450 | S |
| 2.500 | 3.350 | 3.355 | 0.468 | 410496 | 410 | S |
| 2.500 | 3.371 | 3.378 | 0.374 | 470605 | 470 | S |
| 2.500 | 3.371 | 3.435 | 0.500 | 80330 | 80S | S |
| 2.500 | 3.428 | 3.435 | 0.375 | 473274 | 470 | S |
| 2.500 | 3.428 | 3.435 | 0.375 | 473274N | 470 | N |
| 2.500 | 3.499 | 3.505 | 0.500 | 3894V | 480 | V |
| 2.500 | 3.499 | 3.506 | 0.500 | 7581H | 480 | H |
| 2.500 | 3.500 | 3.507 | 0.250 | 444042 | 440 | S |
| 2.500 | 3.500 | 3.507 | 0.374 | 415449 | 410 | S |
| 2.500 | 3.500 | 3.507 | 0.374 | 415449V | 410 | V |
| 2.500 | 3.500 | 3.504 | 0.450 | 714670 | 470 | N |
| 2.500 | 3.500 | 3.507 | 0.500 | 415147 | 410 | S |
| 2.500 | 3.500 | 3.507 | 0.500 | 415147N | 410 | N |
| 2.500 | 3.500 | 3.507 | 0.500 | 455147 | 450 | S |
| 2.500 | 3.542 | 3.549 | 0.500 | 455001 | 450 | S |
| 2.500 | 3.542 | 3.549 | 0.500 | 455001S | 450 | S |
| 2.500 | 3.543 | 3.548 | 0.500 | 415001 | 410 | S |
| 2.500 | 3.543 | 3.548 | 0.500 | 415001N | 410 | N |
| 2.500 | 3.543 | 3.548 | 0.500 | 475001 | 470 | S |
| 2.500 | 3.623 | 3.630 | 0.374 | 416273 | 410 | S |
| 2.500 | 3.623 | 3.630 | 0.374 | 455369 | 450 | S |
| 2.500 | 3.750 | 3.757 | 0.500 | 455079 | 450 | S |
| 2.500 | 3.876 | 3.881 | 0.468 | 415082 | 410 | S |
| 2.500 | 3.876 | 3.881 | 0.468 | 415082N | 410 | N |
| 2.500 | 4.003 | 4.008 | 0.468 | 455655 | 450 | S |

| Shaft | Bore | O.D. | Width | Part Number | Style | Matl |
|---------------|-------|-------|-------|-------------|-------|------|
| 2.500 | 4.035 | 4.040 | 0.634 | 4525V | 720 | V |
| 2.500 | 4.250 | 4.260 | 0.500 | 355732 | 350 | S |
| 2.500 | 4.500 | 6.125 | 0.400 | 7512SSO | 510 | S |
| 2.500 | 4.938 | 4.943 | 0.500 | 3136N | 470 | N |
| 2.503" | | | | | | |
| 2.503 | 3.428 | 3.239 | 0.709 | 4561V← | # | V |
| 2.503 | 3.629 | 3.633 | 0.900 | 4624V | 860 | V |
| 2.512" | | | | | | |
| 2.512 | 3.506 | 3.519 | 0.290 | 8975S | 490 | S |
| 2.520" | | | | | | |
| 2.520 | 2.992 | 3.000 | 0.276 | 710256 | # | S |
| 2.520 | 3.031 | 3.039 | 0.315 | ◆710130 | # | S |
| 64 | 77 | 77.20 | 8 | | | |
| 2.520 | 3.150 | 3.158 | 0.315 | ◆226480→ | 330 | H |
| 64 | 80 | 80.21 | 8 | | | |
| 2.520 | 3.150 | 3.161 | 0.315 | ◆648008XX | 320 | S |
| 64 | 80 | 80.28 | 8 | | | |
| 2.520 | 5.197 | 5.201 | 0.512 | 710277 | # | N |
| 2.531" | | | | | | |
| 2.531 | 4.540 | 6.125 | 0.500 | 7154S | # | S |
| 2.556" | | | | | | |
| 2.556 | 3.937 | 3.942 | 0.375 | 476514 | 470 | S |
| 2.559" | | | | | | |
| 65mm | | | | | | |
| 2.559 | 3.150 | 3.161 | 0.315 | ◆658008XX | 320 | S |
| 65 | 80 | 80.28 | 8 | | | |
| 2.559 | 3.189 | 3.200 | 0.276 | ◆226510→ | 320 | Y |
| 65 | 81 | 81.28 | 7 | | | |
| 2.559 | 3.228 | 3.235 | 0.276 | ◆710094 | 660 | S |
| 65 | 82 | 82.17 | 7 | | | |
| 2.559 | 3.307 | 3.318 | 0.354 | ◆712005→ | 320 | H |
| 65 | 84 | 84.28 | 9 | | | |
| 2.559 | 3.346 | 3.354 | 0.315 | ◆658508XX | 350 | S |
| 65 | 85 | 85.20 | 8 | | | |
| 2.559 | 3.346 | 3.355 | 0.394 | ◆226520 | 350 | S |
| 65 | 85 | 85.22 | 10 | | | |
| 2.559 | 3.346 | 3.357 | 0.394 | ◆658510XX | 350 | S |
| 65 | 85 | 85.27 | 10 | | | |
| 2.559 | 3.346 | 3.353 | 0.394 | ◆710373 | 470 | S |
| 65 | 85 | 85.17 | 10 | | | |
| 2.559 | 3.465 | 3.472 | 0.315 | ◆658808XX | 350 | S |
| 65 | 88 | 88.20 | 8 | | | |
| 2.559 | 3.465 | 3.472 | 0.394 | ◆658810XX | 320 | S |
| 65 | 88 | 88.20 | 10 | | | |
| 2.559 | 3.465 | 3.472 | 0.472 | ◆710367→ | 400 | S |
| 65 | 88 | 88.20 | 12 | | | |

| Shaft | Bore | O.D. | Width | Part Number | Style | Matl |
|--------------|-------|-------|-------|-------------|-------|------|
| 2.559 | 3.543 | 3.551 | 0.276 | ◆659007XX | 320 | S |
| 65 | 90 | 90.20 | 7 | | | |
| 2.559 | 3.543 | 3.554 | 0.394 | ◆226530 | 350 | S |
| 65 | 90 | 90.27 | 10 | | | |
| 2.559 | 3.543 | 3.554 | 0.394 | ◆659010XX | 350 | S |
| 65 | 90 | 90.28 | 10 | | | |
| 2.559 | 3.543 | 3.551 | 0.512 | ◆659013XX | 350 | S |
| 65 | 90 | 90.20 | 13 | | | |

| | | | | | | |
|--------------|-------|--------|-------|-------------|-----|---|
| 2.559 | 3.937 | 3.949 | 0.276 | ◆65X10007XX | 320 | S |
| 65 | 100 | 100.30 | 7 | | | |
| 2.559 | 3.937 | 3.948 | 0.394 | ◆65X10010XX | 350 | S |
| 65 | 100 | 100.28 | 10 | | | |

2.560"

| | | | | | | |
|--------------|-------|-------|-------|------|------|---|
| 2.560 | 3.090 | 3.095 | 0.256 | 5123 | 2800 | S |
|--------------|-------|-------|-------|------|------|---|

2.562" **2 9/16"**

| | | | | | | |
|--------------|-------|-------|-------|---------|-----|---|
| 2.562 | 3.481 | 3.486 | 0.375 | 413479 | 410 | S |
| 2.562 | 3.500 | 3.505 | 0.375 | 415302 | 410 | S |
| 2.562 | 3.500 | 3.505 | 0.500 | 415098N | 410 | N |
| 2.562 | 3.543 | 3.548 | 0.500 | 455311 | 450 | S |
| 2.562 | 3.623 | 3.625 | 0.375 | 415988 | 410 | S |

| | | | | | | |
|--------------|-------|-------|-------|--------|-----|---|
| 2.562 | 3.727 | 3.777 | 0.490 | 9943 | # | S |
| 2.562 | 3.750 | 3.756 | 0.375 | 417481 | 410 | S |
| 2.562 | 3.876 | 3.881 | 0.468 | 455280 | 450 | S |

2.598" **66mm**

| | | | | | | |
|--------------|-------|-------|-------|---------|-----|---|
| 2.598 | 3.150 | 3.154 | 0.354 | ◆226610 | 410 | N |
| 66 | 80 | 80.11 | 9 | | | |
| 2.598 | 3.346 | 3.353 | 0.315 | ◆710092 | 410 | S |
| 66 | 85 | 85.17 | 8 | | | |
| 2.598 | 3.481 | 3.488 | 0.438 | 411330 | 410 | S |
| 2.598 | 3.481 | 3.488 | 0.438 | 411330N | 410 | N |
| 2.598 | 3.999 | 4.004 | 0.780 | 712598 | 470 | S |

| | | | | | | |
|--------------|-------|-------|-------|---------|-----|---|
| 2.598 | 3.999 | 4.004 | 0.780 | 712598S | 470 | S |
| 2.598 | 4.000 | 4.005 | 0.500 | 477069 | 470 | S |

2.625" **2 5/8"**

| | | | | | | |
|--------------|-------|-------|-------|--------|-----|---|
| 2.625 | 3.350 | 3.355 | 0.375 | 412871 | 410 | S |
| 2.625 | 3.350 | 3.356 | 0.468 | 450329 | 450 | S |
| 2.625 | 3.371 | 3.376 | 0.250 | 440511 | 440 | S |
| 2.625 | 3.371 | 3.378 | 0.438 | 410708 | 410 | S |
| 2.625 | 3.371 | 3.378 | 0.438 | 413248 | 410 | S |

| | | | | | | |
|--------------|-------|-------|-------|--------|-----|---|
| 2.625 | 3.371 | 3.378 | 0.438 | 450626 | 450 | S |
| 2.625 | 3.481 | 3.486 | 0.500 | 450412 | 450 | S |
| 2.625 | 3.484 | 3.489 | 0.250 | 43077S | 40S | S |
| 2.625 | 3.500 | 3.507 | 0.374 | 415483 | 410 | S |
| 2.625 | 3.500 | 3.507 | 0.374 | 455368 | 450 | S |

| | | | | | | |
|--------------|-------|-------|-------|---------|------|---|
| 2.625 | 3.500 | 3.505 | 0.500 | 475368N | 470 | N |
| 2.625 | 3.516 | 3.533 | 0.394 | 712103→ | TPDW | T |
| 2.625 | 3.543 | 3.548 | 0.375 | 417079 | 410 | S |

| Shaft | Bore | O.D. | Width | Part Number | Style | Matl |
|--------------|-------|-------|-------|-------------|-------|------|
| 2.625 | 3.623 | 3.630 | 0.374 | 415458 | 410 | S |
| 2.625 | 3.623 | 3.630 | 0.374 | 415458V | 410 | V |

| | | | | | | |
|--------------|-------|-------|-------|---------|-----|---|
| 2.625 | 3.623 | 3.630 | 0.374 | 475458 | 470 | S |
| 2.625 | 3.623 | 3.628 | 0.438 | 15003S | 410 | S |
| 2.625 | 3.623 | 3.630 | 0.438 | 455003 | 450 | S |
| 2.625 | 3.623 | 3.630 | 0.469 | 415003 | 410 | S |
| 2.625 | 3.623 | 3.630 | 0.469 | 475003N | 470 | N |

| | | | | | | |
|--------------|-------|-------|-------|---------|-------|---|
| 2.625 | 3.695 | 3.700 | 0.500 | 3813 | 640 | H |
| 2.625 | 3.696 | 3.700 | 0.500 | 41163T→ | TFW-H | T |
| 2.625 | 3.751 | 3.758 | 0.374 | 417343 | 410 | S |
| 2.625 | 3.813 | 3.818 | 0.415 | 200392 | 2000 | S |
| 2.625 | 3.876 | 3.881 | 0.468 | 415007 | 410 | S |

| | | | | | | |
|--------------|-------|-------|-------|--------|-----|---|
| 2.625 | 4.003 | 4.008 | 0.375 | 417082 | 410 | S |
| 2.625 | 4.064 | 4.069 | 0.960 | 712625 | 900 | N |
| 2.625 | 4.249 | 4.254 | 0.468 | 416278 | 410 | S |
| 2.625 | 4.437 | 4.441 | 0.437 | 418027 | 410 | S |
| 2.625 | 4.564 | 4.568 | 0.718 | 9773 | 740 | N |

| | | | | | | |
|--------------|-------|-------|-------|-------|-----|---|
| 2.625 | 4.564 | 4.568 | 0.718 | 9773R | 740 | N |
|--------------|-------|-------|-------|-------|-----|---|

2.648"

| | | | | | | |
|--------------|-------|-------|-------|--------|-----|---|
| 2.648 | 3.812 | 3.817 | 0.500 | 486857 | 480 | S |
|--------------|-------|-------|-------|--------|-----|---|

2.667"

| | | | | | | |
|--------------|-------|-------|-------|-------|-----|---|
| 2.667 | 3.751 | 3.756 | 0.500 | 7780 | 40S | S |
| 2.667 | 3.751 | 3.756 | 0.500 | 7780N | 40S | S |

2.677" **68mm**

| | | | | | | |
|--------------|-------|-------|-------|-----------|-----|---|
| 2.677 | 3.228 | 3.236 | 0.276 | ◆688207XX | 350 | S |
| 68 | 82 | 82.20 | 7 | | | |
| 2.677 | 3.228 | 3.236 | 0.276 | 710378 | 350 | S |
| 2.677 | 3.307 | 3.318 | 0.335 | ◆710234← | 320 | N |
| 68 | 84 | 84.28 | 8.50 | | | |
| 2.677 | 3.346 | 3.354 | 0.315 | ◆688508XX | 350 | S |
| 68 | 85 | 85.20 | 8 | | | |
| 2.677 | 3.386 | 3.398 | 0.315 | 226820 | 320 | H |

| | | | | | | |
|--------------|-------|-------|-------|-----------|-----|---|
| 2.677 | 3.386 | 3.397 | 0.315 | ◆710334← | 320 | N |
| 68 | 86 | 86.28 | 8 | | | |
| 2.677 | 3.465 | 3.476 | 0.315 | ◆710446→ | 350 | S |
| 68 | 88 | 88.29 | 8 | | | |
| 2.677 | 3.504 | 3.512 | 0.433 | 712511→ | 320 | V |
| 2.677 | 3.543 | 3.551 | 0.276 | ◆689007XX | 320 | S |
| 68 | 90 | 90.20 | 7 | | | |
| 2.677 | 3.543 | 3.556 | 0.394 | ◆689010XX | 350 | S |
| 68 | 90 | 90.32 | 10 | | | |

| | | | | | | |
|--------------|-------|-------|-------|-----------|-------|---|
| 2.677 | 3.543 | 3.549 | 0.394 | 712108→ | TFW-H | T |
| 2.677 | 3.543 | 3.550 | 0.472 | ◆710440 | 470 | S |
| 68 | 90 | 90.17 | 12 | | | |
| 2.677 | 3.740 | 3.748 | 0.394 | ◆689510XX | 350 | S |
| 68 | 95 | 95.20 | 10 | | | |
| 2.677 | 3.740 | 3.752 | 0.512 | 226840 | # | V |

| Shaft | Bore | O.D. | Width | Part Number | Style | Matl |
|----------------------|--------------|-----------------|-------------|-------------|-------|------|
| 2.677 68 | 3.937 100 | 3.945 100.20 | 0.394 10 | ◆68X10010XX | 350 | S |
| 2.677 68 | 3.937 100 | 3.948 100.28 | 0.512 13 | ◆68X10013XX | 350 | S |
| 2.677 | 4.882 | 4.886 | 0.472 | 710275 | 400 | N |
| 2.687" | | | | | | |
| 2.687 | 3.500 | 3.507 | 0.374 | 455434 | 450 | S |
| 2.687 | 3.751 | 3.756 | 0.500 | 455151 | 450 | S |
| 2.687 | 3.876 | 3.876 | 0.250 | 365008 | 360 | S |
| 2.688" | | | | | | |
| 2.688 | 3.499 | 3.504 | 0.344 | 710091 | 2720 | S |
| 2.735" | | | | | | |
| 2.735 | 3.415 | - | 0.340 | 710039 | # | U |
| 2.748" | | | | | | |
| 2.748 | 3.543 | 3.555 | 0.591 | 4874N | # | N |
| 2.748 | 3.876 | 3.886 | 0.552 | 4564V | # | V |
| 2.748 | 3.881 | 3.885 | 0.464 | 710174 | 470 | S |
| 2.748 | 5.500 | 5.512 | 0.850 | 4876N→ | # | N |
| 2.750" 2 3/4" | | | | | | |
| 2.750 | - | - | 0.315 | 477872 | 470 | S |
| 2.750 | - | 6.200 | 0.700 | 6643S | 520 | S |
| 2.750 | 3.125 | 3.130 | 0.187 | 310841 | 310 | S |
| 2.750 | 3.250 | 3.255 | 0.313 | 710038 | # | U |
| 2.750 | 3.481 | 3.486 | 0.500 | 480491 | 480 | S |
| 2.750 | 3.500 | 3.507 | 0.374 | 416664 | 410 | S |
| 2.750 | 3.500 | 3.507 | 0.374 | 455364 | 450 | S |
| 2.750 | 3.500 | 3.505 | 0.500 | 485364N | 480 | N |
| 2.750 | 3.501 | 3.505 | 0.250 | 45827S | 40S | S |
| 2.750 | 3.538 | 3.543 | 0.437 | 457291 | 450 | S |
| 2.750 | 3.543 | 3.548 | 0.375 | 417484 | 410 | S |
| 2.750 | 3.543 | 3.548 | 0.375 | 417484N | 410 | N |
| 2.750 | 3.543 | 3.550 | 0.438 | 415322 | 410 | S |
| 2.750 | 3.543 | 3.550 | 0.438 | 455322 | 450 | S |
| 2.750 | 3.543 | 3.550 | 0.438 | 455322N | 450 | N |
| 2.750 | 3.543 | 3.550 | 0.438 | 455322V | 450 | V |
| 2.750 | 3.543 | 3.550 | 0.438 | 475322N | 470 | N |
| 2.750 | 3.623 | 3.630 | 0.374 | 415984 | 410 | S |
| 2.750 | 3.750 | 3.756 | 0.500 | 710010 | # | U |
| 2.750 | 3.751 | 3.756 | 0.250 | 46997S | 40S | S |
| 2.750 | 3.751 | 3.758 | 0.374 | 415004 | 410 | S |
| 2.750 | 3.751 | 3.758 | 0.374 | 417316 | 410 | S |
| 2.750 | 3.751 | 3.758 | 0.375 | 455004 | 450 | S |
| 2.750 | 3.751 | 3.756 | 0.500 | 475004H | 470 | H |

| Shaft | Bore | O.D. | Width | Part Number | Style | Matl |
|--------------------|--------------|-----------------|---------------|-------------|----------|------|
| 2.750 | 3.772 | 3.779 | 0.311 | 2222 | 2860 | S |
| 2.750 | 3.779 | 3.784 | 0.762 | 710395 | Unitized | S |
| 2.750 | 3.846 | 3.928 | 0.290 | 200942 | 2000E | S |
| 2.750 | 3.876 | 3.883 | 0.374 | 475009N | 470 | N |
| 2.750 | 3.876 | 3.883 | 0.374 | 475960 | 470 | S |
| 2.750 | 3.876 | 3.883 | 0.437 | 455009 | 450 | S |
| 2.750 | 3.876 | 3.883 | 0.438 | 415009 | 410 | S |
| 2.750 | 3.876 | 3.883 | 0.438 | 415009N | 410 | N |
| 2.750 | 3.876 | 3.883 | 0.438 | 415960 | 410 | S |
| 2.750 | 3.937 | 3.942 | 0.500 | 476574N | 470 | N |
| 2.750 | 4.003 | 4.008 | 0.375 | 416706 | 410 | S |
| 2.750 | 4.003 | 4.010 | 0.438 | 415272N | 410 | N |
| 2.750 | 4.003 | 4.010 | 0.438 | 455272 | 450 | S |
| 2.750 | 4.125 | 4.132 | 0.563 | 476281 | 470 | S |
| 2.750 | 4.249 | 4.254 | 0.468 | 416282 | 410 | S |
| 2.750 | 4.249 | 4.254 | 0.500 | 476283N | 470 | N |
| 2.750 | 4.999 | 5.004 | 0.468 | 55238 | 50S | S |
| 2.750 | 5.500 | 5.506 | 0.500 | 417986N | 410 | N |
| 2.750 | 5.501 | 5.506 | 1.266 | 3591 | 900 | N |
| 2.756" 70mm | | | | | | |
| 2.756 70 | 3.346 85 | 3.357 85.28 | 0.315 8 | ◆708508XX | 350 | S |
| 2.756 70 | 3.425 87 | 3.436 87.27 | 0.335 8.50 | ◆1021← | 320 | V |
| 2.756 70 | 3.425 87 | 3.436 87.27 | 0.335 8.50 | ◆1021V← | 320 | V |
| 2.756 70 | 3.465 88 | 3.474 88.25 | 0.315 8 | ◆708808XX | 480 | S |
| 2.756 70 | 3.465 88 | 3.476 88.29 | 0.472 12 | ◆227020← | 320 | H |
| 2.756 70 | 3.465 88 | 3.474 88.25 | 0.472 12 | ◆708812XX | 320 | S |
| 2.756 70 | 3.543 90 | 3.551 90.20 | 0.276 7 | ◆709007XX | 320 | S |
| 2.756 70 | 3.543 90 | 3.556 90.32 | 0.394 10 | ◆227040← | 350 | H |
| 2.756 70 | 3.543 90 | 3.556 90.32 | 0.394 10 | ◆709010XX | 350 | S |
| 2.756 70 | 3.622 92 | 3.633 92.28 | 0.335 8.50 | ◆227045← | 470 | H |
| 2.756 70 | 3.622 92 | 3.630 92.20 | 0.472 12 | ◆709212XX | 320 | S |
| 2.756 70 | 3.740 95 | 3.751 95.28 | 0.394 10 | ◆709510XX | 350 | S |
| 2.756 70 | 3.740 95 | 3.751 95.28 | 0.512 13 | ◆709513XX | 350 | S |
| 2.756 70 | 3.937 100 | 3.945 100.20 | 0.394 10 | ◆70X10010XX | 320 | S |
| 2.756 70 | 3.937 100 | 3.948 100.28 | 0.512 13 | ◆70X10013XX | 350 | S |
| 2.756 | 4.000 | 4.009 | 0.469 | 40392 | TFW-H | T |
| 2.756 70 | 4.134 105 | 4.146 105.30 | 0.276 7 | ◆70X10507XX | 320 | S |

| Shaft | Bore | O.D. | Width | Part Number | Style | Matl |
|--------------|-------|--------|-------|-------------|-------|------|
| 2.756 | 4.134 | 4.142 | 0.512 | ◆70X10513XX | 350 | S |
| 70 | 105 | 105.20 | 13 | | | |
| 2.756 | 4.331 | 4.339 | 0.394 | ◆70X11010XX | 350 | S |
| 70 | 110 | 110.20 | 10 | | | |
| 2.756 | 4.409 | 4.416 | 0.551 | ◆710339 | 250 | S |
| 70 | 112 | 112.17 | 14 | | | |

2.812" 2 13/16"

| | | | | | | |
|--------------|-------|-------|-------|--------|-----|---|
| 2.812 | 3.876 | 3.881 | 0.437 | 55010 | 410 | S |
| 2.812 | 4.003 | 4.008 | 0.468 | 475384 | 470 | S |
| 2.812 | 4.249 | 4.254 | 0.468 | 411348 | 410 | S |

2.813"

| | | | | | | |
|--------------|-------|-------|-------|--------|-----|---|
| 2.813 | 3.751 | 3.758 | 0.438 | 455005 | 450 | S |
| 2.813 | 3.875 | 3.882 | 0.438 | 417485 | 410 | S |

2.832"

| | | | | | | |
|--------------|-------|-------|-------|---------|-----|---|
| 2.832 | 3.622 | 3.633 | 0.374 | 710075← | 320 | V |
|--------------|-------|-------|-------|---------|-----|---|

2.835" 72mm

| | | | | | | |
|--------------|-------|-------|-------|-----------|-----|---|
| 2.835 | 3.465 | 3.474 | 0.276 | ◆1986 | 480 | S |
| 72 | 88 | 88.25 | 7 | | | |
| 2.835 | 3.465 | 3.474 | 0.276 | ◆1986S | 480 | S |
| 72 | 88 | 88.25 | 7 | | | |
| 2.835 | 3.543 | 3.551 | 0.394 | ◆729010XX | 350 | S |
| 72 | 90 | 90.20 | 10 | | | |
| 2.835 | 3.740 | 3.751 | 0.394 | ◆729510XX | 350 | S |
| 72 | 95 | 95.28 | 10 | | | |
| 2.835 | 3.780 | 3.791 | 0.354 | ◆227235← | 320 | H |
| 72 | 96 | 96.29 | 9 | | | |

| | | | | | | |
|--------------|-------|--------|-------|--------------|-----|---|
| 2.835 | 3.937 | 3.945 | 0.394 | ◆72X10010XX | 350 | S |
| 72 | 100 | 100.20 | 10 | | | |
| 2.835 | 3.937 | 3.949 | 0.472 | ◆72X10012XX↔ | 320 | S |
| 72 | 100 | 100.31 | 12 | | | |

2.843"

| | | | | | | |
|--------------|-------|-------|-------|---------|-----|---|
| 2.843 | 4.003 | 4.008 | 0.500 | 456837V | 450 | V |
|--------------|-------|-------|-------|---------|-----|---|

2.844"

| | | | | | | |
|--------------|-------|-------|-------|-------|-----|---|
| 2.844 | 3.938 | 3.945 | 0.500 | 2081↔ | 410 | S |
|--------------|-------|-------|-------|-------|-----|---|

2.874"

| | | | | | | |
|--------------|-------|-------|-------|--------|-----|---|
| 2.874 | 3.386 | 3.397 | 0.197 | 239129 | # | S |
| 2.874 | 4.003 | 4.010 | 0.437 | 455011 | 450 | S |
| 2.874 | 4.174 | 4.181 | 0.374 | 2674 | 890 | S |

2.875" 2 7/8"

| | | | | | | |
|--------------|-------|-------|-------|--------|-----|---|
| 2.875 | 3.540 | 3.548 | 0.315 | 474230 | 470 | S |
| 2.875 | 3.623 | 3.630 | 0.374 | 415303 | 410 | S |
| 2.875 | 3.623 | 3.628 | 0.500 | 3783 | 650 | H |

| Shaft | Bore | O.D. | Width | Part Number | Style | Matl |
|--------------|-------|-------|-------|-------------|-------|------|
| 2.875 | 3.623 | 3.628 | 0.500 | 3783H | 650 | H |
| 2.875 | 3.623 | 3.628 | 0.500 | 39802 | TFW-H | T |

| | | | | | | |
|--------------|-------|-------|-------|---------|------|---|
| 2.875 | 3.750 | 3.755 | 0.500 | 41536 | TPDW | T |
| 2.875 | 3.750 | 3.755 | 0.500 | 41537 | TPDW | T |
| 2.875 | 3.750 | 3.757 | 0.500 | 455006 | 450 | S |
| 2.875 | 3.750 | 3.757 | 0.500 | 455006N | 450 | N |
| 2.875 | 3.751 | 3.758 | 0.374 | 417344 | 410 | S |

| | | | | | | |
|--------------|-------|-------|-------|---------|-----|---|
| 2.875 | 3.751 | 3.756 | 0.375 | 487344V | 480 | V |
| 2.875 | 3.875 | 3.882 | 0.413 | 9864S↔ | 570 | S |
| 2.875 | 3.876 | 3.883 | 0.374 | 417158 | 410 | S |
| 2.875 | 3.876 | 3.883 | 0.438 | 455355 | 450 | S |
| 2.875 | 4.003 | 4.008 | 0.250 | 43086S | 40S | S |

| | | | | | | |
|--------------|-------|-------|-------|--------|-----|---|
| 2.875 | 4.003 | 4.010 | 0.374 | 416921 | 410 | S |
| 2.875 | 4.125 | 4.130 | 0.375 | 417134 | 410 | S |
| 2.875 | 4.125 | 4.130 | 0.812 | 6780S | 210 | S |
| 2.875 | 4.249 | 4.254 | 0.500 | 416285 | 410 | S |
| 2.875 | 4.335 | 4.340 | 0.437 | 455310 | 450 | S |

| | | | | | | |
|--------------|-------|-------|-------|--------|-----|---|
| 2.875 | 4.376 | 4.381 | 0.625 | 455556 | 450 | S |
| 2.875 | 4.499 | 4.504 | 0.468 | 455144 | 450 | S |

2.881"

| | | | | | | |
|--------------|-------|-------|-------|--------|-----|---|
| 2.881 | 3.429 | 3.436 | 0.291 | 4122 | 470 | S |
| 2.881 | 3.429 | 3.436 | 0.291 | 470547 | 470 | S |

2.913" 74mm

| | | | | | | |
|--------------|-------|-------|-------|----------|-----|---|
| 2.913 | 3.543 | 3.549 | 0.394 | 227409 | 320 | H |
| 2.913 | 3.858 | 3.869 | 0.472 | ◆227410→ | 320 | H |
| 74 | 98 | 98.27 | 12 | | | |

2.937" 2 15/16"

| | | | | | | |
|--------------|-------|-------|-------|---------|-----|---|
| 2.937 | 3.751 | 3.756 | 0.375 | 416956 | 410 | S |
| 2.937 | 3.876 | 3.881 | 0.375 | 417159 | 410 | S |
| 2.937 | 4.003 | 4.008 | 0.375 | 416654 | 410 | S |
| 2.937 | 4.003 | 4.010 | 0.438 | 455012 | 450 | S |
| 2.937 | 4.003 | 4.008 | 0.468 | 415012V | 410 | V |

| | | | | | | |
|--------------|-------|-------|-------|---------|-----|---|
| 2.937 | 4.003 | 4.008 | 0.468 | 475012N | 470 | N |
| 2.937 | 4.003 | 4.008 | 0.625 | 35012N | 430 | N |
| 2.937 | 4.125 | 4.130 | 0.375 | 417486 | 410 | S |
| 2.937 | 4.250 | 4.254 | 0.468 | 416775 | 410 | S |
| 2.937 | 4.499 | 4.504 | 0.468 | 455356 | 450 | S |

| | | | | | | |
|--------------|-------|-------|-------|--------|-----|---|
| 2.937 | 4.939 | 4.944 | 1.250 | 712937 | 900 | N |
|--------------|-------|-------|-------|--------|-----|---|

2.938"

| | | | | | | |
|--------------|-------|-------|-------|---------|-----|---|
| 2.938 | 3.937 | 3.947 | 0.552 | 4563V | # | V |
| 2.938 | 3.938 | 3.945 | 0.500 | 35949N | 410 | N |
| 2.938 | 3.938 | 3.945 | 0.500 | 416500 | 410 | S |
| 2.938 | 3.938 | 3.945 | 0.500 | 476500N | 470 | N |

| Shaft | Bore | O.D. | Width | Part Number | Style | Matl | Shaft | Bore | O.D. | Width | Part Number | Style | Matl |
|---------------|-------|--------|-------|-------------|-------|------|-------------|-------|-------|-------|-------------|-------|------|
| 2.953" | | | | | | | 75mm | | | | | | |
| 2.953 | 3.268 | 3.425 | 0.157 | ◆710240 | # | S | 3.000 | 3.500 | 3.505 | 0.313 | 710028 | # | U |
| 75 | 83 | 87.00 | 4 | | | | 3.000 | 3.686 | 3.702 | 0.523 | 7338N | 560 | N |
| 2.953 | 3.543 | 3.551 | 0.315 | ◆759008XX | 320 | S | 2.988 | 3.740 | 3.751 | 0.315 | 3698← | 320 | H |
| 75 | 90 | 90.20 | 8 | | | | 3.000 | 3.751 | 3.756 | 0.375 | 476023N | 470 | N |
| 2.953 | 3.543 | 3.553 | 0.394 | ◆759010XX | 320 | S | 3.000 | 3.751 | - | 0.375 | 9113N | 470 | V |
| 75 | 90 | 90.25 | 10 | | | | | | | | | | |
| 2.953 | 3.661 | 3.666 | 0.315 | 39804 | TFW-H | T | | | | | | | |
| 2.953 | 3.740 | 3.751 | 0.394 | ◆227530 | 350 | S | 3.000 | 3.751 | 3.758 | 0.437 | 417349 | 410 | S |
| 75 | 95 | 95.28 | 10 | | | | 3.000 | 3.751 | 3.758 | 0.500 | 415281N | 410 | N |
| | | | | | | | 3.000 | 3.876 | 3.883 | 0.437 | 417350 | 410 | S |
| | | | | | | | 3.000 | 3.876 | 3.883 | 0.437 | 455479 | 450 | S |
| | | | | | | | 3.000 | 3.876 | 3.883 | 0.437 | 455479V | 450 | V |
| 2.953 | 3.740 | 3.751 | 0.394 | ◆716445 | 350 | V | | | | | | | |
| 75 | 95 | 95.28 | 10 | | | | | | | | | | |
| 2.953 | 3.740 | 3.751 | 0.394 | ◆759510XX | 350 | S | | | | | | | |
| 75 | 95 | 95.28 | 10 | | | | | | | | | | |
| 2.953 | 3.937 | 3.948 | 0.394 | ◆227540 | 320 | S | 3.000 | 3.876 | 3.887 | 0.500 | 355526 | 350 | S |
| 75 | 100 | 100.28 | 10 | | | | 3.000 | 3.936 | 3.941 | 0.500 | 455509 | 450 | S |
| 2.953 | 3.937 | 3.945 | 0.394 | ◆75X10010XX | 320 | S | 3.000 | 3.999 | 4.004 | 0.437 | 453182 | 450 | S |
| 75 | 100 | 100.20 | 10 | | | | 3.000 | 4.000 | 4.008 | 0.500 | 710011 | # | U |
| 2.953 | 3.937 | 3.948 | 0.472 | ◆75X10012XX | 320 | S | 3.000 | 4.000 | 4.004 | 0.656 | 710009 | # | U |
| 75 | 100 | 100.27 | 12 | | | | | | | | | | |
| | | | | | | | | | | | | | |
| 2.953 | 3.937 | 3.948 | 0.512 | ◆227550← | 320 | H | 3.000 | 4.003 | 4.008 | 0.250 | 45013S | 40S | S |
| 75 | 100 | 100.28 | 13 | | | | 3.000 | 4.003 | 4.008 | 0.375 | 415995 | 410 | S |
| 2.953 | 3.937 | 3.944 | 0.512 | ◆710384 | 250 | S | 3.000 | 4.003 | 4.008 | 0.375 | 415995A | 410 | A |
| 75 | 100 | 100.18 | 13 | | | | 3.000 | 4.003 | 4.008 | 0.375 | 415995V | 410 | V |
| 2.953 | 4.134 | 4.144 | 0.512 | ◆75X10513XX | 320 | S | 3.000 | 4.003 | 4.010 | 0.437 | 415013 | 410 | S |
| 75 | 105 | 105.27 | 13 | | | | | | | | | | |
| 2.953 | 4.331 | 4.339 | 0.472 | ◆75X11012XX | 320 | S | 3.000 | 4.003 | 4.010 | 0.437 | 415013N | 410 | N |
| 75 | 110 | 110.20 | 12 | | | | 3.000 | 4.003 | 4.010 | 0.437 | 415836 | 410 | S |
| 2.953 | 4.409 | 4.416 | 0.394 | 710087 | 450 | S | 3.000 | 4.003 | 4.010 | 0.437 | 455013 | 450 | S |
| | | | | | | | 3.000 | 4.003 | 4.010 | 0.469 | 455995N | 450 | N |
| | | | | | | | 3.000 | 4.125 | 4.132 | 0.437 | 417351 | 410 | S |
| 2.953 | 4.409 | 4.413 | 0.394 | 710376 | # | S | | | | | | | |
| 2.953 | 4.528 | 4.539 | 0.472 | ◆75X11512XX | 350 | S | 3.000 | 4.125 | 4.132 | 0.438 | 455154 | 450 | S |
| 75 | 115 | 115.30 | 12 | | | | 3.000 | 4.249 | 4.254 | 0.437 | 417487 | 410 | S |
| 2.953 | 4.724 | 4.729 | 0.320 | 200322 | 2000 | S | 3.000 | 4.249 | 4.254 | 0.468 | 415086N | 410 | N |
| 2.953 | 4.724 | 4.732 | 0.394 | ◆75X12010XX | 320 | S | 3.000 | 4.249 | 4.256 | 0.468 | 455014 | 450 | S |
| 75 | 120 | 120.20 | 10 | | | | 3.000 | 4.249 | 4.256 | 0.468 | 455086 | 450 | S |
| | | | | | | | | | | | | | |
| 2.988" | | | | | | | | | | | | | |
| 2.988 | 3.740 | 3.751 | 0.315 | 3698← | 320 | H | | | | | | | |
| | | | | | | | | | | | | | |
| 2.992" | | | | | | | 76mm | | | | | | |
| 2.992 | 3.622 | 3.633 | 0.394 | ◆327995← | 320 | V | 3.000 | 4.331 | 4.336 | 0.500 | 415962 | 410 | S |
| 76 | 92 | 92.28 | 10 | | | | 3.000 | 4.375 | 4.382 | 0.625 | 417488 | 410 | S |
| 2.992 | 3.622 | 3.633 | 0.394 | ◆4307V← | 320 | V | 3.000 | 4.500 | 4.507 | 0.469 | 455088 | 450 | S |
| 76 | 92 | 92.28 | 10 | | | | 3.000 | 4.500 | 4.507 | 0.469 | 455088V | 450 | V |
| 2.992 | 3.661 | 3.673 | 0.394 | ◆1019← | 320 | H | 3.000 | 4.501 | 4.508 | 0.433 | 415088 | 410 | S |
| 76 | 93 | 93.30 | 10 | | | | | | | | | | |
| 2.992 | 3.661 | 3.673 | 0.394 | ◆1019S← | 320 | H | 3.000 | 4.501 | 4.506 | 0.468 | 477163N | 470 | N |
| 76 | 93 | 93.30 | 10 | | | | 3.000 | 4.524 | 4.600 | 0.433 | 200133 | 2000E | S |
| 2.992 | 3.858 | 3.869 | 0.472 | ◆227610→ | 320 | H | 3.000 | 4.626 | 4.631 | 0.500 | 55548 | 50S | S |
| 76 | 98 | 98.27 | 12 | | | | 3.000 | 4.751 | 4.756 | 0.625 | 416370 | 410 | S |
| | | | | | | | 3.000 | 4.875 | 4.881 | 0.625 | 455820 | 450 | S |
| | | | | | | | | | | | | | |
| 2.992 | 4.016 | 4.024 | 0.374 | ◆710375 | # | S | 3.000 | 4.938 | 4.943 | 0.740 | 3905 | 760 | N |
| 76 | 102 | 102.20 | 9.50 | | | | 3.000 | 4.999 | 5.007 | 0.438 | 455019 | 450 | S |
| | | | | | | | 3.000 | 5.500 | 5.506 | 0.531 | 3143N | 740 | N |
| | | | | | | | 3.000 | 5.501 | 5.506 | 1.266 | 3592 | 900 | N |
| | | | | | | | 3.000 | 5.750 | 5.764 | 0.413 | 712000 | # | N |
| | | | | | | | | | | | | | |
| | | | | | | | 3.000 | 5.750 | 5.758 | 0.449 | 710008 | 740 | N |

| Shaft | Bore | O.D. | Width | Part Number | Style | Matl |
|-----------------------|-------|-------|--------|-------------|----------|------|
| 3.003" | | | | | | |
| 3.003 | 3.751 | 3.761 | 0.420 | 100495 | Unitized | V |
| 3.003 | 3.751 | 3.761 | 0.570 | 4810V→ | # | V |
| 3.003 | 3.751 | 3.761 | 0.570 | 714810← | # | V |
| 3.003 | 4.937 | 4.948 | 0.662 | 4562V→ | # | V |
| 3.040" | | | | | | |
| 3.040 | 3.937 | 3.946 | 0.250 | 355669 | 350 | S |
| 3.040 | 6.412 | 6.418 | 0.658 | 710090 | # | S |
| 3.062" 3 1/16" | | | | | | |
| 3.062 | 4.230 | 4.350 | 0.390 | 200766 | 2000E | S |
| 3.062 | 4.249 | 4.254 | 0.625 | 455015 | 450 | S |
| 3.062 | 4.999 | 5.004 | 0.468 | 455020 | 450 | S |
| 3.071" 78mm | | | | | | |
| 3.071 | 3.937 | 3.948 | 0.394 | ◆78X10010XX | 350 | S |
| | 78 | 100 | 100.27 | 10 | | |
| 3.071 | 4.134 | 4.142 | 0.394 | ◆78X10510XX | 320 | S |
| | 78 | 105 | 105.20 | 10 | | |
| 3.071 | 4.528 | 4.535 | 0.394 | ◆78X11510XX | 320 | S |
| | 78 | 115 | 115.20 | 10 | | |
| 3.110" | | | | | | |
| 3.110 | - | 5.750 | 0.375 | 7896S | 510 | S |
| 3.110 | 3.898 | 3.913 | 0.378 | 712126← | TFW-H | T |
| 3.125" 3 1/8" | | | | | | |
| 3.125 | - | 8.250 | 0.571 | 6649 | 520 | S |
| 3.125 | 3.750 | 3.768 | 0.437 | 712100← | TPDW | T |
| 3.125 | 3.751 | 3.756 | 0.250 | 45825S | 40S | S |
| 3.125 | 3.936 | 3.943 | 0.512 | 2260 | 480 | V |
| 3.125 | 4.003 | 4.010 | 0.438 | 416404 | 410 | S |
| 3.125 | 4.003 | 4.008 | 0.500 | 457034 | 450 | V |
| 3.125 | 4.003 | 4.008 | 0.500 | 714470 | 480 | V |
| 3.125 | 4.125 | 4.130 | 0.375 | 417621 | 410 | S |
| 3.125 | 4.125 | 4.130 | 0.437 | 39809 | TW-H | T |
| 3.125 | 4.125 | 4.132 | 0.500 | 416011 | 410 | S |
| 3.125 | 4.125 | 4.130 | 0.562 | 415156N | 410 | N |
| 3.125 | 4.126 | 4.130 | 0.437 | 39817 | TFW-H | T |
| 3.125 | 4.175 | 4.186 | 0.295 | 8976S | 490 | S |
| 3.125 | 4.249 | 4.256 | 0.500 | 416288 | 410 | S |
| 3.125 | 4.249 | 4.254 | 0.625 | 415016N | 410 | N |
| 3.125 | 4.376 | 4.383 | 0.500 | 417171 | 410 | S |
| 3.125 | 4.450 | 4.456 | 0.880 | 710080 | # | S |
| 3.125 | 4.500 | 4.507 | 0.500 | 417172 | 410 | S |
| 3.125 | 4.562 | 4.567 | 0.760 | 6644 | 50S | S |

| Shaft | Bore | O.D. | Width | Part Number | Style | Matl |
|--------------------|-------|-------|--------|-------------|-------|------|
| 3.125 | 4.562 | 4.567 | 1.198 | 5751 | 340 | S |
| 3.125 | 4.562 | 4.567 | 1.198 | 5751S | 340 | S |
| 3.125 | 4.626 | 4.633 | 0.438 | 416297 | 410 | S |
| 3.125 | 4.751 | 4.756 | 0.500 | 416024 | 410 | S |
| 3.125 | 4.999 | 5.004 | 0.468 | 415021 | 410 | S |
| 3.125 | 5.251 | 5.256 | 0.468 | 415394 | 410 | S |
| 3.125 | 5.985 | 6.000 | 0.955 | 9600S | # | S |
| 3.125 | 7.000 | 8.250 | 1.003 | 6481S | 510 | S |
| 3.133" | | | | | | |
| 3.133 | 3.547 | 3.551 | 0.366 | 710106 | # | S |
| 3.150" 80mm | | | | | | |
| 3.150 | 3.780 | 3.791 | 0.354 | ◆228005← | 320 | V |
| | 80 | 96 | 96.29 | 9 | | |
| 3.150 | 3.858 | 3.869 | 0.394 | ◆228008← | 320 | X |
| | 80 | 98 | 98.27 | 10 | | |
| 3.150 | 3.937 | 3.948 | 0.394 | ◆228009← | 320 | H |
| | 80 | 100 | 100.28 | 10 | | |
| 3.150 | 3.937 | 3.948 | 0.394 | ◆228012 | 350 | S |
| | 80 | 100 | 100.28 | 10 | | |
| 3.150 | 3.937 | 3.953 | 0.394 | 712111→ | TFW-H | T |
| 3.150 | 3.937 | 3.945 | 0.394 | ◆80X10010XX | 350 | S |
| | 80 | 100 | 100.20 | 10 | | |
| 3.150 | 3.937 | 3.948 | 0.512 | ◆228010← | 320 | H |
| | 80 | 100 | 100.28 | 13 | | |
| 3.150 | 3.937 | 3.948 | 0.512 | ◆228015→ | 320 | H |
| | 80 | 100 | 100.28 | 13 | | |
| 3.150 | 3.937 | 3.953 | 0.512 | 712115→ | TFW-H | T |
| 3.150 | 3.937 | 3.953 | 0.512 | 712120→ | TFW-H | T |
| 3.150 | 3.937 | 3.953 | 0.512 | 712123→ | TFW-H | T |
| 3.150 | 4.134 | 4.142 | 0.394 | ◆80X10510XX | 320 | S |
| | 80 | 105 | 105.20 | 10 | | |
| 3.150 | 4.134 | 4.145 | 0.512 | ◆228020 | 320 | S |
| | 80 | 105 | 105.28 | 13 | | |
| 3.150 | 4.134 | 4.144 | 0.512 | ◆80X10513XX | 480 | S |
| | 80 | 105 | 105.27 | 13 | | |
| 3.150 | 4.331 | 4.342 | 0.394 | ◆228030 | 350 | S |
| | 80 | 110 | 110.29 | 10 | | |
| 3.150 | 4.331 | 4.342 | 0.394 | ◆80X11010XX | 320 | S |
| | 80 | 110 | 110.28 | 10 | | |
| 3.150 | 4.331 | 4.342 | 0.472 | ◆80X11012XX | 350 | S |
| | 80 | 110 | 110.28 | 12 | | |
| 3.150 | 4.724 | 4.732 | 0.394 | ◆80X12010XX | 320 | S |
| | 80 | 120 | 120.20 | 10 | | |
| 3.150 | 4.724 | 4.735 | 0.512 | ◆80X12013XX | 320 | S |
| | 80 | 120 | 120.28 | 13 | | |
| 3.180" | | | | | | |
| 3.180 | 4.180 | 4.185 | 0.750 | 3385 | 740 | S |

| Shaft | Bore | O.D. | Width | Part Number | Style | Matl |
|-----------------------|-------|-------|--------|-------------|-------|------|
| 3.187" 3 3/16" | | | | | | |
| 3.187 | 4.376 | 4.381 | 0.500 | 417490 | 410 | S |
| 3.187 | 4.501 | 4.508 | 0.500 | 455336 | 450 | S |
| 3.187 | 4.650 | 4.625 | 0.442 | 6358 | 470 | S |
| 3.187 | 4.999 | 5.004 | 0.468 | 455022 | 450 | S |
| 3.188" | | | | | | |
| 3.188 | 4.250 | 4.257 | 0.469 | 456105 | 450 | S |
| 3.209" | | | | | | |
| 3.209 | 3.535 | - | 0.091 | 710293 | # | S |
| 3.228" 82mm | | | | | | |
| 3.228 | 3.791 | 3.802 | 0.315 | 40375← | 320 | T |
| 3.228 | 3.918 | 3.928 | 0.500 | 320691 | 320 | V |
| 3.228 | 4.134 | 4.146 | 0.512 | 1945← | 320 | H |
| 3.228 | 4.134 | 4.146 | 0.512 | ◆228480← | 320 | H |
| | 82 | 105 | 105.32 | 13 | | |
| 3.228 | 4.134 | 4.144 | 0.512 | ◆82X10513XX | 250 | S |
| | 82 | 105 | 105.25 | 13 | | |
| 3.249" | | | | | | |
| 3.249 | 4.468 | 4.488 | 0.318 | 200870 | 2000E | S |
| 3.250" 3 1/4" | | | | | | |
| 3.250 | 3.879 | 3.881 | 0.375 | 710180 | 470 | V |
| 3.250 | 4.003 | 4.008 | 0.375 | 417433 | 410 | S |
| 3.250 | 4.003 | 4.008 | 0.468 | 415563 | 410 | S |
| 3.250 | 4.003 | 4.008 | 0.468 | 55563 | 50S | T |
| 3.250 | 4.125 | 4.130 | 0.562 | 455566 | 450 | S |
| 3.250 | 4.249 | 4.254 | 0.375 | 296470 | 290 | F |
| 3.250 | 4.249 | 4.254 | 0.375 | 416470N | 410 | N |
| 3.250 | 4.249 | 4.256 | 0.375 | 476470 | 470 | S |
| 3.250 | 4.249 | 4.254 | 0.468 | 411275 | 410 | V |
| 3.250 | 4.249 | 4.256 | 0.469 | 415304 | 410 | S |
| 3.250 | 4.249 | 4.256 | 0.500 | 455018 | 450 | S |
| 3.250 | 4.249 | 4.256 | 0.500 | 455018N | 450 | N |
| 3.250 | 4.249 | 4.282 | 0.650 | 4875N→ | # | N |
| 3.250 | 4.249 | 4.260 | 0.662 | 4543V→ | # | V |
| 3.250 | 4.250 | 4.255 | 0.500 | 710016 | # | U |
| 3.250 | 4.376 | 4.383 | 0.500 | 417181 | 410 | S |
| 3.250 | 4.500 | 4.600 | 0.315 | 7208S | 2000E | S |
| 3.250 | 4.500 | 4.506 | 0.375 | 418028 | 410 | S |
| 3.250 | 4.500 | 4.507 | 0.438 | 415137 | 410 | S |
| 3.250 | 4.500 | 4.507 | 0.438 | 455137 | 450 | S |
| 3.250 | 4.500 | 4.507 | 0.500 | 417352 | 410 | S |
| 3.250 | 4.500 | 4.507 | 0.718 | 6584S | 740 | S |

| Shaft | Bore | O.D. | Width | Part Number | Style | Matl |
|-----------------------|-------|-------|--------|-------------|----------|------|
| 3.250 | 4.626 | 4.633 | 0.500 | 417353 | 410 | S |
| 3.250 | 4.723 | 4.729 | 0.468 | 415577 | 410 | S |
| 3.250 | 4.751 | 4.756 | 0.484 | 456305 | 450 | S |
| 3.250 | 4.999 | 5.004 | 0.468 | 415023 | 410 | S |
| 3.250 | 5.251 | 5.256 | 0.468 | 455328 | 450 | S |
| 3.250 | 5.500 | 5.506 | 0.500 | 417987N | 410 | N |
| 3.253" | | | | | | |
| 3.253 | 4.249 | 4.260 | 0.635 | 100494 | Unitized | V |
| 3.253 | 5.500 | 5.511 | 0.630 | 4544V→ | # | V |
| 3.253 | 5.500 | 5.511 | 0.635 | 100557 | Unitized | V |
| 3.268" 83mm | | | | | | |
| 3.268 | 3.937 | 3.948 | 0.354 | ◆228250← | 320 | H |
| | 83 | 100 | 100.28 | 9 | | |
| 3.298" | | | | | | |
| 3.298 | 4.125 | 4.130 | 0.562 | 455500 | 450 | S |
| 3.298 | 4.125 | 4.130 | 0.562 | 475500 | 470 | S |
| 3.307" 84mm | | | | | | |
| 3.307 | 3.937 | 3.941 | 0.394 | 710294 | 470 | S |
| 3.307 | 4.094 | 4.105 | 0.433 | ◆228410← | 320 | V |
| | 84 | 104 | 104.27 | 11 | | |
| 3.307 | 4.646 | 4.650 | 0.276 | 710363← | # | V |
| 3.312" 3 5/16" | | | | | | |
| 3.312 | 4.248 | 4.255 | 0.437 | 416292 | 410 | S |
| 3.312 | 4.376 | 4.381 | 0.500 | 417491 | 410 | S |
| 3.312 | 4.751 | 4.756 | 0.500 | 416313 | 410 | S |
| 3.312 | 4.999 | 5.004 | 0.468 | 455024 | 450 | S |
| 3.313" | | | | | | |
| 3.313 | 4.500 | 4.507 | 0.438 | 415085 | 410 | S |
| 3.313 | 4.500 | 4.507 | 0.438 | 456648 | 450 | S |
| 3.330" | | | | | | |
| 3.330 | 4.125 | 4.130 | 0.562 | 477055 | 470 | S |
| 3.330 | 4.125 | 4.130 | 0.562 | 477055S | 47 | S |
| 3.330 | 5.045 | 5.050 | 0.800 | 710088 | # | S |
| 3.346" 85mm | | | | | | |
| 3.346 | 4.134 | 4.145 | 0.394 | ◆716102← | 320 | H |
| | 85 | 105 | 105.28 | 10 | | |
| 3.346 | 4.134 | 4.145 | 0.394 | ◆85X10510XX | 320 | S |
| | 85 | 105 | 105.28 | 10 | | |
| 3.346 | 4.134 | 4.145 | 0.512 | ◆85X10513XX | 320 | S |
| | 85 | 105 | 105.28 | 13 | | |
| 3.346 | 4.331 | 4.339 | 0.394 | ◆85X11010XX | 350 | S |
| | 85 | 110 | 110.20 | 10 | | |

| Shaft | Bore | O.D. | Width | Part Number | Style | Matl |
|--------------------|--------------|-----------------|----------------|-------------|-------|------|
| 3.346 85 | 4.331 110 | 4.342 110.29 | 0.472 12 | ◆228520 | 350 | S |
| 3.346 85 | 4.331 110 | 4.342 110.28 | 0.472 12 | ◆85X11012XX | 350 | S |
| 3.346 | 4.449 | 4.457 | 0.413 | 710330 | # | N |
| 3.346 85 | 4.528 115 | 4.528 115.00 | 0.512 13 | ◆85X11513XX | 350 | S |
| 3.346 85 | 4.724 120 | 4.735 120.28 | 0.472 12 | ◆85X12012XX | 320 | S |
| 3.346 85 | 4.921 125 | 4.929 125.20 | 0.472 12 | ◆85X12512XX | 320 | S |
| 3.346 85 | 5.118 130 | 5.124 130.15 | 0.500 12.70 | ◆85X13013XX | 480 | S |

3.374"

| | | | | | | |
|--------------|-------|-------|-------|--------|-----|---|
| 3.374 | 4.375 | 4.382 | 0.374 | 412473 | 410 | S |
|--------------|-------|-------|-------|--------|-----|---|

3.375" 3 3/8"

| | | | | | | |
|--------------|-------|-------|-------|---------|-----|---|
| 3.375 | 3.948 | 3.955 | 0.375 | 5128N | 320 | N |
| 3.375 | 3.948 | 3.955 | 0.375 | 710077 | 320 | S |
| 3.375 | 4.125 | 4.130 | 0.375 | 415442 | 410 | S |
| 3.375 | 4.249 | 4.256 | 0.500 | 416294 | 410 | S |
| 3.375 | 4.249 | 4.256 | 0.500 | 416294V | 410 | V |

| | | | | | | |
|--------------|-------|-------|-------|---------|-----|---|
| 3.375 | 4.376 | 4.383 | 0.500 | 415894 | 410 | S |
| 3.375 | 4.376 | 4.381 | 0.625 | 415164N | 410 | N |
| 3.375 | 4.499 | 4.504 | 0.468 | 455165 | 450 | S |
| 3.375 | 4.500 | 4.507 | 0.500 | 417191 | 410 | S |
| 3.375 | 4.501 | 4.506 | 0.468 | 456585 | 450 | S |

| | | | | | | |
|--------------|-------|-------|-------|--------|-----|---|
| 3.375 | 4.626 | 4.633 | 0.500 | 417354 | 410 | S |
| 3.375 | 4.688 | 4.693 | 0.500 | 55249 | 450 | S |
| 3.375 | 4.751 | 4.756 | 0.500 | 416321 | 410 | S |
| 3.375 | 4.999 | 4.504 | 0.468 | 415025 | 410 | S |
| 3.375 | 5.251 | 5.256 | 0.468 | 416327 | 410 | S |

3.386" 86mm

| | | | | | | |
|--------------------|--------------|-----------------|-------------|----------|-----|---|
| 3.386 86 | 4.055 103 | 4.066 103.28 | 0.394 10 | ◆710235← | 320 | V |
| 3.386 86 | 4.094 104 | 4.109 104.37 | 0.433 11 | ◆710232 | 320 | V |

3.425" 87mm

| | | | | | | |
|--------------------|--------------|-----------------|------------|----------|-----|---|
| 3.425 87 | 3.937 100 | 3.948 100.28 | 0.315 8 | ◆228700← | 320 | H |
|--------------------|--------------|-----------------|------------|----------|-----|---|

3.437" 3 7/16"

| | | | | | | |
|--------------|-------|-------|-------|--------|-----|---|
| 3.437 | 4.249 | 4.254 | 0.375 | 418029 | 410 | S |
| 3.437 | 4.501 | 4.506 | 0.375 | 417492 | 410 | S |
| 3.437 | 4.501 | 4.506 | 0.625 | 55419 | 50S | S |
| 3.437 | 4.626 | 4.631 | 0.500 | 417493 | 410 | S |

| Shaft | Bore | O.D. | Width | Part Number | Style | Matl |
|--------------|-------|-------|-------|-------------|-------|------|
| 3.437 | 4.876 | 4.881 | 0.500 | 417494 | 410 | S |
| 3.437 | 4.999 | 5.004 | 0.468 | 455026 | 450 | S |
| 3.437 | 5.250 | 5.256 | 0.468 | 455471 | 450 | S |

3.438"

| | | | | | | |
|--------------|-------|-------|-------|--------|-----|---|
| 3.438 | 4.249 | 4.256 | 0.375 | 455499 | 450 | S |
| 3.438 | 4.756 | 4.764 | 0.563 | 455858 | 450 | S |

3.465" 88mm

| | | | | | | |
|--------------------|--------------|-----------------|---------------|-------------|-----|---|
| 3.465 88 | 4.173 106 | 4.184 106.27 | 0.335 8.50 | ◆710188← | 320 | V |
| 3.465 88 | 4.252 108 | 4.263 108.28 | 0.433 11 | ◆3772← | 350 | H |
| 3.465 88 | 4.331 110 | 4.342 110.28 | 0.472 12 | ◆88X11012XX | 350 | S |

3.468"

| | | | | | | |
|--------------|-------|-------|-------|------|-----|---|
| 3.468 | 4.626 | 4.631 | 0.625 | 2055 | 470 | S |
|--------------|-------|-------|-------|------|-----|---|

3.500" 3 1/2"

| | | | | | | |
|--------------|-------|-------|-------|---------|-------|---|
| 3.500 | 4.000 | 4.005 | 0.313 | 710029 | # | U |
| 3.500 | 4.125 | 4.130 | 0.250 | 446927 | 440 | S |
| 3.500 | 4.125 | 4.130 | 0.250 | 45525S | 40S | S |
| 3.500 | 4.125 | 4.130 | 0.312 | 710030 | # | U |
| 3.500 | 4.331 | 4.346 | 0.472 | 712116→ | TFW-H | T |

| | | | | | | |
|--------------|-------|-------|-------|---------|------|---|
| 3.500 | 4.375 | 4.381 | 0.562 | 415899N | 410 | N |
| 3.500 | 4.376 | 4.383 | 0.500 | 416624 | 410 | S |
| 3.500 | 4.376 | 4.383 | 0.500 | 416624N | 410 | N |
| 3.500 | 4.437 | 4.437 | 0.437 | 5965 | 80S | S |
| 3.500 | 4.450 | 4.455 | 0.525 | 9339S | 2780 | S |

| | | | | | | |
|--------------|-------|-------|-------|--------|-----|---|
| 3.500 | 4.499 | 4.508 | 0.250 | 345146 | 340 | S |
| 3.500 | 4.499 | 4.504 | 0.468 | 415146 | 410 | S |
| 3.500 | 4.499 | 4.504 | 0.468 | 455146 | 450 | S |
| 3.500 | 4.500 | 4.506 | 0.500 | 710015 | # | U |
| 3.500 | 4.501 | 4.506 | 0.438 | 415991 | 410 | S |

| | | | | | | |
|--------------|-------|-------|-------|---------|-----|---|
| 3.500 | 4.501 | 4.506 | 0.438 | 415991N | 410 | N |
| 3.500 | 4.501 | 4.506 | 0.468 | 712750 | 410 | V |
| 3.500 | 4.501 | 4.506 | 0.875 | 15305S | 10S | S |
| 3.500 | 4.626 | 4.633 | 0.500 | 417196 | 410 | S |
| 3.500 | 4.750 | 4.758 | 0.500 | 415437 | 410 | S |

| | | | | | | |
|--------------|-------|-------|-------|---------|-----|---|
| 3.500 | 4.750 | 4.758 | 0.500 | 455173 | 450 | S |
| 3.500 | 4.750 | 4.758 | 0.500 | 476424N | 470 | N |
| 3.500 | 4.751 | 4.756 | 0.500 | 455437N | 450 | N |
| 3.500 | 4.875 | 4.881 | 0.500 | 417198 | 410 | S |
| 3.500 | 4.999 | 5.004 | 0.468 | 415027H | 410 | H |

| | | | | | | |
|--------------|-------|-------|-------|---------|-----|---|
| 3.500 | 4.999 | 5.004 | 0.468 | 415027N | 410 | N |
| 3.500 | 4.999 | 5.004 | 0.468 | 455027 | 450 | S |
| 3.500 | 4.999 | 5.004 | 0.468 | 455027N | 450 | N |
| 3.500 | 4.999 | 5.004 | 0.468 | 485027 | 480 | N |

| Shaft | Bore | O.D. | Width | Part Number | Style | Matl |
|-------|-------|-------|-------|-------------|-------|------|
| 3.500 | 5.126 | 5.131 | 0.500 | 417495 | 410 | S |
| 3.500 | 5.126 | 5.131 | 0.625 | 715319 | 470 | N |
| 3.500 | 5.250 | 5.258 | 0.562 | 6612S | # | S |
| 3.500 | 5.251 | 5.256 | 0.468 | 415559 | 410 | S |
| 3.500 | 5.500 | 5.505 | 0.500 | 417496 | 410 | S |
| 3.500 | 5.751 | 5.756 | 0.562 | 455396 | 450 | S |

3.504" 89mm

| | | | | | | |
|-------|-------|--------|-------|----------|-----|---|
| 3.504 | 4.134 | 4.145 | 0.394 | ◆710189← | 470 | V |
| 89 | 105 | 105.28 | 10 | | | |
| 3.504 | 4.291 | 4.299 | 0.354 | 229004← | 320 | H |

3.543" 90mm

| | | | | | | |
|-------|-------|--------|-------|----------|-----|---|
| 3.543 | 4.094 | 4.105 | 0.433 | ◆710237← | 320 | V |
| 90 | 104 | 104.27 | 11 | | | |
| 3.543 | 4.252 | 4.261 | 0.394 | 710219← | 320 | N |
| 3.543 | 4.331 | 4.342 | 0.354 | ◆229005← | 320 | V |
| 90 | 110 | 110.29 | 9 | | | |
| 3.543 | 4.331 | 4.342 | 0.354 | ◆229006← | 320 | H |
| 90 | 110 | 110.29 | 9 | | | |
| 3.543 | 4.331 | 4.342 | 0.354 | ◆229010← | 320 | H |
| 90 | 110 | 110.29 | 9 | | | |

| | | | | | | |
|-------|-------|--------|-------|-------------|-------|---|
| 3.543 | 4.331 | 4.346 | 0.472 | 712124→ | TFW-H | T |
| 3.543 | 4.331 | 4.339 | 0.472 | ◆90X11012XX | 350 | S |
| 90 | 110 | 110.20 | 12 | | | |
| 3.543 | 4.528 | 4.535 | 0.472 | ◆90X11512XX | 320 | S |
| 90 | 115 | 115.20 | 12 | | | |
| 3.543 | 4.724 | 4.735 | 0.472 | ◆90X12012XX | 320 | S |
| 90 | 120 | 120.28 | 12 | | | |
| 3.543 | 4.921 | 4.949 | 0.276 | ◆90X12507XX | 320 | S |
| 90 | 125 | 125.70 | 7 | | | |

| | | | | | | |
|-------|-------|--------|-------|-------------|-----|---|
| 3.543 | 4.921 | 4.933 | 0.512 | ◆90X12513XX | 320 | S |
| 90 | 125 | 125.30 | 13 | | | |
| 3.543 | 5.709 | 5.717 | 0.551 | ◆90X14514XX | 320 | S |
| 90 | 145 | 145.20 | 14 | | | |
| 3.543 | 6.215 | 6.220 | 0.562 | 39865 | # | T |

3.562" 3 9/16"

| | | | | | | |
|-------|-------|-------|-------|--------|-----|---|
| 3.562 | 4.499 | 4.504 | 0.468 | 415498 | 410 | S |
| 3.562 | 4.625 | 4.631 | 0.500 | 415711 | 410 | S |
| 3.562 | 4.751 | 4.756 | 0.500 | 417497 | 410 | S |
| 3.562 | 4.755 | 4.761 | 0.550 | 9584 | 740 | S |
| 3.562 | 4.876 | 4.881 | 0.500 | 417498 | 410 | S |

| | | | | | | |
|-------|-------|-------|-------|-------|-----|---|
| 3.562 | 4.999 | 5.004 | 0.468 | 55028 | 50S | S |
|-------|-------|-------|-------|-------|-----|---|

3.583" 91mm

| | | | | | | |
|-------|-------|--------|-------|----------|-----|---|
| 3.583 | 4.331 | 4.342 | 0.335 | ◆229210← | 320 | V |
| 91 | 110 | 110.29 | 8.50 | | | |
| 3.583 | 4.370 | 4.381 | 0.394 | ◆710056← | 470 | V |
| 91 | 111 | 111.28 | 10 | | | |

| Shaft | Bore | O.D. | Width | Part Number | Style | Matl |
|-------|------|------|-------|-------------|-------|------|
|-------|------|------|-------|-------------|-------|------|

3.620"

| | | | | | | |
|-------|-------|-------|-------|-------|-------|---|
| 3.620 | 4.625 | 4.630 | 0.400 | 39882 | TFW-H | T |
|-------|-------|-------|-------|-------|-------|---|

3.622" 92mm

| | | | | | | |
|-------|-------|--------|-------|-------------|-----|---|
| 3.622 | 4.724 | 4.734 | 0.512 | ◆92X12013XX | 350 | S |
| 92 | 120 | 120.24 | 13 | | | |

3.625" 3 5/8"

| | | | | | | |
|-------|-------|-------|-------|---------|-----|---|
| 3.625 | 4.240 | 4.251 | 0.390 | 3909← | 350 | V |
| 3.625 | 4.375 | 4.382 | 0.374 | 456744N | 450 | N |
| 3.625 | 4.376 | 4.381 | 0.375 | 417698 | 410 | S |
| 3.625 | 4.376 | 4.381 | 0.375 | 417698S | 41 | S |
| 3.625 | 4.499 | 4.504 | 0.468 | 415389 | 410 | S |

| | | | | | | |
|-------|-------|-------|-------|----------|-------|---|
| 3.625 | 4.499 | 4.504 | 0.468 | 415389N | 410 | N |
| 3.625 | 4.624 | 4.630 | 0.500 | 487397V→ | 480 | V |
| 3.625 | 4.625 | 4.631 | 0.437 | 416332 | 410 | S |
| 3.625 | 4.626 | 4.633 | 0.500 | 416047 | 410 | S |
| 3.625 | 4.695 | 4.810 | 0.395 | 200603 | 2000E | S |

| | | | | | | |
|-------|-------|-------|-------|--------|-------|---|
| 3.625 | 4.750 | 4.758 | 0.500 | 415937 | 410 | S |
| 3.625 | 4.751 | 4.756 | 0.500 | 39703 | TFW-H | T |
| 3.625 | 4.751 | 4.756 | 0.500 | 39813 | TW-H | T |
| 3.625 | 4.839 | 4.844 | 0.500 | 55353 | 50S | S |
| 3.625 | 4.875 | 4.883 | 0.500 | 417355 | 410 | S |

| | | | | | | |
|-------|-------|-------|-------|--------|-----|---|
| 3.625 | 4.875 | 4.883 | 0.500 | 485497 | 480 | S |
| 3.625 | 4.999 | 5.007 | 0.500 | 416125 | 410 | S |
| 3.625 | 5.251 | 5.256 | 0.437 | 417499 | 410 | S |
| 3.625 | 5.375 | 5.381 | 0.500 | 415832 | 410 | S |
| 3.625 | 5.501 | 5.506 | 0.500 | 417500 | 410 | S |

| | | | | | | |
|-------|-------|-------|-------|--------|-----|---|
| 3.625 | 5.751 | 5.756 | 0.562 | 415436 | 410 | S |
|-------|-------|-------|-------|--------|-----|---|

3.661" 93mm

| | | | | | | |
|-------|-------|--------|-------|----------|-----|---|
| 3.661 | 4.488 | 4.500 | 0.512 | ◆710288← | 320 | S |
| 93 | 114 | 114.30 | 13 | | | |
| 3.661 | 6.063 | 6.071 | 0.315 | ◆710266 | # | S |
| 93 | 154 | 154.20 | 8 | | | |

3.687" 3 11/16"

| | | | | | | |
|-------|-------|-------|-------|---------|-----|---|
| 3.687 | 4.501 | 4.506 | 0.500 | 416919 | 410 | S |
| 3.687 | 4.501 | 4.506 | 0.500 | 416919N | 410 | N |
| 3.687 | 4.750 | 4.756 | 0.500 | 417501 | 410 | S |
| 3.687 | 4.999 | 5.004 | 0.468 | 55030 | 50S | S |
| 3.687 | 5.250 | 5.256 | 0.468 | 416670 | 410 | S |

| | | | | | | |
|-------|-------|-------|-------|--------|-----|---|
| 3.687 | 5.501 | 5.506 | 0.500 | 417502 | 410 | S |
|-------|-------|-------|-------|--------|-----|---|

| Shaft | Bore | O.D. | Width | Part Number | Style | Matl |
|----------------------|-------|--------|-------|-------------|-------|------|
| 3.736" | | | | | | |
| 3.736 | 4.724 | 4.740 | 0.512 | 712119→ | TFW-H | T |
| 3.740" 95mm | | | | | | |
| 3.740 | 4.331 | 4.339 | 0.394 | ◆95X11010XX | 320 | S |
| 95 | 110 | 110.20 | 10 | | | |
| 3.740 | 4.331 | 4.342 | 0.433 | ◆717005← | 320 | S |
| 95 | 110 | 110.29 | 11 | | | |
| 3.740 | 4.449 | 4.453 | 0.394 | ◆710352 | 470 | V |
| 95 | 113 | 113.10 | 10 | | | |
| 3.740 | 4.525 | 4.536 | 0.492 | 4359V← | 320 | V |
| 3.740 | 4.528 | 4.537 | 0.394 | 717006 | 450 | S |
| 3.740 | 4.528 | 4.539 | 0.472 | ◆95X11512XX | 350 | S |
| 95 | 115 | 115.28 | 12 | | | |
| 3.740 | 4.646 | 4.657 | 0.394 | ◆710060← | 320 | H |
| 95 | 118 | 118.29 | 10 | | | |
| 3.740 | 4.724 | 4.735 | 0.472 | ◆95X12012XX | 350 | S |
| 95 | 120 | 120.28 | 12 | | | |
| 3.740 | 4.921 | 4.932 | 0.472 | ◆95X12512XX | 350 | S |
| 95 | 125 | 125.28 | 12 | | | |
| 3.740 | 5.118 | 5.129 | 0.472 | 229520 | 350 | S |
| 3.740 | 5.118 | 5.129 | 0.472 | ◆95X13012XX | 350 | S |
| 95 | 130 | 130.28 | 12 | | | |
| 3.740 | 6.772 | 6.775 | 1.102 | 39926 | TW-H | T |
| 3.750" 3 3/4" | | | | | | |
| 3.750 | 4.375 | 4.381 | 0.313 | 710035 | # | U |
| 3.750 | 4.500 | 4.507 | 0.468 | 415983 | 410 | S |
| 3.750 | 4.500 | 4.507 | 0.468 | 415983N | 410 | N |
| 3.750 | 4.500 | 4.507 | 0.468 | 415983V | 410 | V |
| 3.750 | 4.500 | 4.506 | 0.468 | 713750 | 690 | V |
| 3.750 | 4.501 | 4.506 | 0.362 | 2377 | 350 | V |
| 3.750 | 4.626 | 4.633 | 0.500 | 416041 | 410 | S |
| 3.750 | 4.750 | 4.756 | 0.500 | 3893V | 450 | V |
| 3.750 | 4.750 | 4.756 | 0.500 | 39608 | TDW-H | T |
| 3.750 | 4.750 | 4.756 | 0.500 | 39705 | TFW-H | T |
| 3.750 | 4.750 | 4.756 | 0.500 | 39837 | TW-H | T |
| 3.750 | 4.750 | 4.758 | 0.500 | 415379 | 410 | S |
| 3.750 | 4.750 | 4.758 | 0.500 | 455379 | 450 | S |
| 3.750 | 4.750 | 4.758 | 0.500 | 455379V | 450 | V |
| 3.750 | 4.751 | 4.756 | 0.500 | 2218 | 470 | H |
| 3.750 | 4.751 | 4.756 | 0.875 | 15379S | 10S | S |
| 3.750 | 4.875 | 4.883 | 0.500 | 417205 | 410 | S |
| 3.750 | 4.999 | 5.004 | 0.250 | 45031S | 40S | S |
| 3.750 | 4.999 | 5.004 | 0.468 | 455031 | 450 | S |
| 3.750 | 4.999 | 5.007 | 0.500 | 416339 | 410 | S |
| 3.750 | 5.251 | 5.256 | 0.468 | 415150 | 410 | S |
| 3.750 | 5.376 | 5.381 | 0.500 | 416127 | 410 | S |
| 3.750 | 5.501 | 5.506 | 0.500 | 417503 | 410 | S |

| Shaft | Bore | O.D. | Width | Part Number | Style | Matl |
|------------------------|-------|--------|-------|--------------|-------|------|
| 3.780" | | | | | | |
| 3.780 | 4.567 | 4.577 | 0.354 | 710262 | 320 | V |
| 3.780 | 4.606 | 4.617 | 0.472 | 710205 | 320 | V |
| 3.797" | | | | | | |
| 3.797 | 4.501 | 4.506 | 0.250 | 8370S | 40S | S |
| 3.812" 3 13/16" | | | | | | |
| 3.812 | 4.876 | 4.881 | 0.500 | 417504 | 410 | S |
| 3.812 | 4.999 | 5.004 | 0.468 | 455032 | 450 | S |
| 3.812 | 5.251 | 5.256 | 0.468 | 455189 | 450 | S |
| 3.858" 98mm | | | | | | |
| 3.858 | 4.525 | 4.540 | 0.620 | 100085← | # | T |
| 3.858 | 4.724 | 4.732 | 0.512 | ◆98X12013XX | 350 | S |
| 98 | 120 | 120.20 | 13 | | | |
| 3.875" 3 7/8" | | | | | | |
| 3.875 | 4.751 | 4.756 | 0.375 | 417210 | 410 | S |
| 3.875 | 4.875 | 4.883 | 0.500 | 417211 | 410 | S |
| 3.875 | 4.999 | 5.004 | 0.468 | 455033 | 450 | S |
| 3.875 | 4.999 | 5.007 | 0.500 | 416345 | 410 | S |
| 3.875 | 5.125 | 5.133 | 0.500 | 415697 | 410 | S |
| 3.875 | 5.125 | 5.133 | 0.500 | 455547 | 450 | S |
| 3.875 | 5.126 | 5.131 | 0.625 | 55547 | 450 | S |
| 3.875 | 5.250 | 5.258 | 0.500 | 417366 | 410 | S |
| 3.875 | 5.375 | 5.383 | 0.438 | 455958 | 450 | S |
| 3.875 | 5.375 | 5.383 | 0.438 | 455958S | 450 | S |
| 3.875 | 5.375 | 5.383 | 0.438 | 455958S | 450 | S |
| 3.875 | 5.376 | 5.381 | 0.500 | 415958 | 410 | S |
| 3.875 | 5.501 | 5.506 | 0.500 | 417505 | 410 | S |
| 3.875 | 5.751 | 5.756 | 0.562 | 416043 | 410 | S |
| 3.880" | | | | | | |
| 3.880 | 5.690 | 5.695 | 0.500 | 55581 | 450 | S |
| 3.934" | | | | | | |
| 3.934 | 5.905 | 5.911 | 0.500 | 476517 | 470 | S |
| 3.937" 100mm | | | | | | |
| 3.937 | 4.488 | 4.496 | 0.472 | ◆710410 | 470 | S |
| 100 | 114 | 114.20 | 12 | | | |
| 3.937 | 4.724 | 4.736 | 0.394 | ◆10X012010XX | 350 | S |
| 100 | 120 | 120.30 | 10 | | | |
| 3.937 | 4.724 | 4.735 | 0.433 | ◆231004 | 320 | H |
| 100 | 120 | 120.27 | 11 | | | |

| Shaft | Bore | O.D. | Width | Part Number | Style | Matl | Shaft | Bore | O.D. | Width | Part Number | Style | Matl |
|----------------------|-------|--------|-------|--------------|-------|------|-------|-------|-------|-------|-------------|-------|------|
| 3.937 | 4.724 | 4.734 | 0.433 | 712105← | TW | T | 4.000 | 5.125 | 5.133 | 0.500 | 455188 | 450 | S |
| 3.937 | 4.724 | 4.735 | 0.472 | ◆10X012012XX | 350 | S | | | | | | | |
| 100 | 120 | 120.28 | 12 | | | | | | | | | | |
| 3.937 | 4.724 | 4.730 | 0.472 | ◆231002 | 350 | S | 4.000 | 5.250 | 5.258 | 0.500 | 417357 | 410 | S |
| 100 | 120 | 120.13 | 12 | | | | 4.000 | 5.251 | 5.256 | 0.468 | 415192N | 410 | N |
| 3.937 | 4.876 | 4.881 | 0.500 | 417967 | 410 | S | 4.000 | 5.251 | 5.256 | 0.468 | 455192 | 450 | S |
| 3.937 | 4.882 | 4.890 | 0.512 | 710290 | 320 | V | 4.000 | 5.375 | 5.383 | 0.500 | 416130 | 410 | S |
| 3.937 | 4.921 | 4.932 | 0.472 | ◆10X012512XX | 350 | S | 4.000 | 5.501 | 5.506 | 0.562 | 415036 | 410 | S |
| 100 | 125 | 125.28 | 12 | | | | | | | | | | |
| 3.937 | 4.921 | 4.935 | 0.472 | ◆231003 | 350 | S | 4.000 | 5.625 | 5.633 | 0.437 | 455513 | 450 | S |
| 100 | 125 | 125.35 | 12 | | | | 4.000 | 5.626 | 5.632 | 0.375 | 417507 | 410 | S |
| 3.937 | 4.999 | 5.004 | 0.468 | 415034 | 410 | S | 4.000 | 5.751 | 5.756 | 0.562 | 415041 | 410 | S |
| 3.937 | 4.999 | 5.004 | 0.468 | 455034 | 450 | S | 4.000 | 5.999 | 6.005 | 0.500 | 417509 | 410 | S |
| 3.937 | 5.118 | 5.129 | 0.472 | ◆10X013012XX | 350 | S | 4.000 | 6.250 | 6.256 | 0.500 | 417223 | 410 | S |
| 100 | 130 | 130.28 | 12 | | | | | | | | | | |
| 3.937 | 5.251 | 5.256 | 0.468 | 455191 | 450 | S | | | | | | | |
| 3.937 | 5.315 | 5.329 | 0.394 | ◆710351← | 320 | H | | | | | | | |
| 100 | 135 | 135.36 | 10 | | | | | | | | | | |
| 3.937 | 5.315 | 5.323 | 0.591 | 710391← | 940 | H | | | | | | | |
| 3.937 | 5.371 | 5.377 | 0.906 | 6270 | 210 | S | | | | | | | |
| 3.937 | 5.376 | 5.384 | 0.500 | 415263 | 410 | S | | | | | | | |
| 3.937 | 5.709 | 5.713 | 1.024 | 710278 | # | N | | | | | | | |
| 3.938" | | | | | | | | | | | | | |
| 3.938 | 4.876 | 4.884 | 0.438 | 455186 | 450 | S | | | | | | | |
| 3.976" 101mm | | | | | | | | | | | | | |
| 3.976 | 4.488 | 4.492 | 0.394 | ◆710371 | 250 | S | | | | | | | |
| 101 | 114 | 114.10 | 10 | | | | | | | | | | |
| 4.000" 4" | | | | | | | | | | | | | |
| 4.000 | 4.562 | 4.568 | 0.375 | 335924N | 330 | N | | | | | | | |
| 4.000 | 4.625 | 4.631 | 0.313 | 710036 | # | U | | | | | | | |
| 4.000 | 4.750 | 4.756 | 0.313 | 710031 | # | U | | | | | | | |
| 4.000 | 4.750 | 4.756 | 0.562 | 457294 | 450 | S | | | | | | | |
| 4.000 | 4.876 | 4.881 | 0.250 | 45187S | 40S | S | | | | | | | |
| 4.000 | 4.876 | 4.881 | 0.625 | 415187 | 410 | S | | | | | | | |
| 4.000 | 4.998 | 5.006 | 0.468 | 327215 | 320 | S | | | | | | | |
| 4.000 | 4.998 | 5.006 | 0.468 | 415035 | 410 | S | | | | | | | |
| 4.000 | 4.998 | 5.006 | 0.468 | 455035 | 450 | S | | | | | | | |
| 4.000 | 4.998 | 5.006 | 0.468 | 455035N | 450 | N | | | | | | | |
| 4.000 | 4.998 | 5.006 | 0.500 | 710022 | 450 | H | | | | | | | |
| 4.000 | 4.999 | 5.008 | 0.312 | 345035 | 340 | S | | | | | | | |
| 4.000 | 4.999 | 5.004 | 0.375 | 475845 | 470 | S | | | | | | | |
| 4.000 | 4.999 | 5.004 | 0.469 | 714713↔ | 960 | V | | | | | | | |
| 4.000 | 4.999 | 5.005 | 0.500 | 37939 | TPDW | T | | | | | | | |
| 4.000 | 4.999 | 5.007 | 0.500 | 415953 | 410 | S | | | | | | | |
| 4.000 | 5.000 | 5.005 | 0.312 | 456967V | 450 | V | | | | | | | |
| 4.000 | 5.000 | 5.005 | 0.500 | 39723 | TFW-H | T | | | | | | | |
| 4.000 | 5.125 | 5.133 | 0.500 | 417356 | 410 | S | | | | | | | |
| 4.016" 102mm | | | | | | | | | | | | | |
| 4.016 | 5.118 | 5.129 | 0.512 | ◆10X213013XX | 350 | S | | | | | | | |
| 102 | 130 | 130.28 | 13 | | | | | | | | | | |
| 4.050" | | | | | | | | | | | | | |
| 4.050 | 5.501 | 5.506 | 0.671 | 6864S | 450 | S | | | | | | | |
| 4.062" | | | | | | | | | | | | | |
| 4.062 | 5.501 | 5.506 | 0.562 | 455037 | 450 | S | | | | | | | |
| 4.062 | 6.191 | 6.197 | 0.625 | 57831 | 50S | S | | | | | | | |
| 4.125" 4 1/8" | | | | | | | | | | | | | |
| 4.125 | 4.998 | 5.006 | 0.437 | 455134 | 450 | S | | | | | | | |
| 4.125 | 4.999 | 5.004 | 0.468 | 6565N | 410 | N | | | | | | | |
| 4.125 | 4.999 | 5.005 | 1.037 | 37921 | TPDW | T | | | | | | | |
| 4.125 | 5.126 | 5.132 | 0.500 | 417511 | 410 | S | | | | | | | |
| 4.125 | 5.251 | 5.256 | 0.468 | 415142 | 410 | S | | | | | | | |
| 4.125 | 5.501 | 5.506 | 0.500 | 417512 | 410 | S | | | | | | | |
| 4.125 | 5.751 | 5.756 | 0.562 | 415043 | 410 | S | | | | | | | |
| 4.125 | 6.000 | 6.007 | 0.625 | 455203 | 450 | S | | | | | | | |
| 4.125 | 6.250 | 6.256 | 0.562 | 455056 | 450 | S | | | | | | | |
| 4.134" 105mm | | | | | | | | | | | | | |
| 4.134 | 4.724 | 4.732 | 0.433 | 231052 | 320 | H | | | | | | | |
| 4.134 | 4.921 | 4.932 | 0.512 | ◆10X512513XX | 320 | S | | | | | | | |
| 105 | 125 | 125.28 | 13 | | | | | | | | | | |
| 4.134 | 5.118 | 5.124 | 0.433 | 712107→ | TFW-H | T | | | | | | | |
| 4.134 | 5.118 | 5.129 | 0.472 | ◆10X513012XX | 350 | S | | | | | | | |
| 105 | 130 | 130.28 | 12 | | | | | | | | | | |
| 4.134 | 5.118 | 5.128 | 0.472 | 712004← | 320 | V | | | | | | | |
| 4.134 | 5.315 | 5.323 | 0.571 | 710349 | # | V | | | | | | | |
| 4.134 | 5.512 | 5.523 | 0.472 | ◆10X514012XX | 350 | S | | | | | | | |
| 105 | 140 | 140.28 | 12 | | | | | | | | | | |
| 4.166" | | | | | | | | | | | | | |
| 4.166 | 5.501 | 5.509 | 0.610 | 9128S | 450 | S | | | | | | | |

| Shaft | Bore | O.D. | Width | Part Number | Style | Matl |
|-----------------------|-------|--------|-------|--------------|-------|------|
| 4.173" 106mm | | | | | | |
| 4.173 | 4.843 | 4.846 | 0.433 | 710295 | 470 | S |
| 4.173 | 4.961 | 4.975 | 0.472 | ◆710366← | 320 | H |
| 106 | 126 | 126.37 | 12 | | | |
| 4.187" 4 3/16" | | | | | | |
| 4.187 | 4.999 | 5.004 | 0.468 | 415295 | 410 | S |
| 4.187 | 5.251 | 5.256 | 0.468 | 455194 | 450 | S |
| 4.187 | 5.501 | 5.506 | 0.500 | 417513 | 410 | S |
| 4.187 | 5.751 | 5.756 | 0.500 | 417514 | 410 | S |
| 4.187 | 6.000 | 6.007 | 0.500 | 417515 | 410 | S |
| 4.187 | 6.250 | 6.256 | 0.500 | 417516 | 410 | S |
| 4.250" 4 1/4" | | | | | | |
| 4.250 | 5.250 | 5.258 | 0.500 | 416556 | 410 | S |
| 4.250 | 5.251 | 5.259 | 0.251 | 47150S | 40S | S |
| 4.250 | 5.251 | 5.256 | 0.375 | 472157 | 470 | S |
| 4.250 | 5.251 | 5.256 | 0.468 | 455195 | 450 | S |
| 4.250 | 5.251 | 5.256 | 0.468 | 485195H | 480 | H |
| 4.250 | 5.375 | 5.383 | 0.500 | 415196 | 410 | S |
| 4.250 | 5.500 | 5.508 | 0.500 | 416891 | 410 | S |
| 4.250 | 5.625 | 5.633 | 0.500 | 416135 | 410 | S |
| 4.250 | 5.751 | 5.756 | 0.562 | 415045 | 410 | S |
| 4.250 | 5.999 | 6.005 | 0.500 | 416137 | 410 | S |
| 4.250 | 6.126 | 6.133 | 0.500 | 417518 | 410 | S |
| 4.250 | 6.250 | 6.256 | 0.562 | 415058 | 410 | S |
| 4.312" 4 5/16" | | | | | | |
| 4.312 | 5.376 | 5.381 | 0.500 | 456141 | 450 | S |
| 4.312 | 5.501 | 5.506 | 0.562 | 455197 | 450 | S |
| 4.312 | 5.501 | 5.506 | 0.562 | 455197N | 450 | N |
| 4.312 | 5.751 | 5.756 | 0.500 | 417520 | 410 | S |
| 4.312 | 5.999 | 6.005 | 0.500 | 416144 | 410 | S |
| 4.312 | 6.250 | 6.256 | 0.500 | 417238 | 410 | S |
| 4.331" 110mm | | | | | | |
| 4.331 | 5.118 | 5.132 | 0.394 | ◆2261← | 470 | V |
| 110 | 130 | 130.35 | 10 | | | |
| 4.331 | 5.118 | 5.129 | 0.472 | ◆11X013012XX | 350 | S |
| 110 | 130 | 130.28 | 12 | | | |
| 4.331 | 5.118 | 5.134 | 0.512 | 712112← | TW | T |
| 4.331 | 5.315 | 5.327 | 0.512 | ◆11X013513XX | 320 | S |
| 110 | 135 | 135.30 | 13 | | | |
| 4.331 | 5.512 | 5.523 | 0.472 | ◆11X014012XX | 320 | S |
| 110 | 140 | 140.28 | 12 | | | |
| 4.331 | 5.512 | 5.521 | 0.512 | ◆11X014013XX | 450 | S |
| 110 | 140 | 140.23 | 13 | | | |
| 4.331 | 5.709 | 5.720 | 0.512 | ◆11X014513XX | 350 | S |
| 110 | 145 | 145.30 | 13 | | | |

| Shaft | Bore | O.D. | Width | Part Number | Style | Matl |
|----------------------|-------|--------|-------|---------------|-------|------|
| 4.331 | 5.906 | 5.917 | 0.591 | ◆11X015015XX | 350 | S |
| 110 | 150 | 150.28 | 15 | | | |
| 4.331 | 6.693 | 6.700 | 0.500 | 476518 | 470 | S |
| 4.375" 4 3/8" | | | | | | |
| 4.375 | 5.373 | 5.500 | 0.570 | 7354N | 80S | N |
| 4.375 | 5.375 | 5.425 | 0.500 | 4291V | # | V |
| 4.375 | 5.376 | 5.381 | 0.500 | 415425 | 410 | S |
| 4.375 | 5.500 | 5.506 | 0.500 | 416380 | 410 | S |
| 4.375 | 5.500 | 5.508 | 0.563 | 455198 | 450 | S |
| 4.375 | 5.501 | 5.506 | 0.500 | 39849 | TFWH | T |
| 4.375 | 5.626 | 5.631 | 0.500 | 416147 | 410 | S |
| 4.375 | 5.751 | 5.756 | 0.562 | 415047 | 410 | S |
| 4.375 | 5.999 | 6.005 | 0.500 | 416149 | 410 | S |
| 4.375 | 6.064 | 6.071 | 0.625 | 6635S | 450 | S |
| 4.375 | 6.125 | 6.131 | 0.500 | 417522 | 410 | S |
| 4.375 | 6.250 | 6.256 | 0.562 | 415060 | 410 | S |
| 4.375 | 6.250 | 6.256 | 0.562 | 455060 | 450 | S |
| 4.409" 112mm | | | | | | |
| 4.409 | 5.512 | 5.524 | 0.512 | ◆11X2140013XX | 350 | S |
| 112 | 140 | 140.32 | 13 | | | |
| 4.437" | | | | | | |
| 4.437 | 5.500 | 5.506 | 0.500 | 417295 | 410 | S |
| 4.437 | 5.501 | 5.509 | 0.563 | 457295 | 250 | S |
| 4.437 | 5.751 | 5.756 | 0.500 | 417525 | 410 | S |
| 4.437 | 5.999 | 6.007 | 0.500 | 417526 | 410 | S |
| 4.488" 114mm | | | | | | |
| 4.488 | 5.512 | 5.523 | 0.512 | ◆11X414013XX | 350 | S |
| 114 | 140 | 140.28 | 13 | | | |
| 4.500" 4 1/2" | | | | | | |
| 4.500 | 5.251 | 5.259 | 0.437 | 327303 | 320 | S |
| 4.500 | 5.375 | 5.383 | 0.438 | 417530 | 410 | S |
| 4.500 | 5.500 | 5.514 | 0.500 | 355200 | 350 | S |
| 4.500 | 5.500 | 5.508 | 0.500 | 416888 | 410 | S |
| 4.500 | 5.500 | 5.508 | 0.500 | 455200 | 450 | S |
| 4.500 | 5.500 | 5.508 | 0.500 | 455200N | 450 | N |
| 4.500 | 5.625 | 5.631 | 0.500 | 416153 | 410 | S |
| 4.500 | 5.625 | 5.631 | 0.500 | 456153 | 450 | S |
| 4.500 | 5.750 | 5.758 | 0.500 | 416892 | 410 | S |
| 4.500 | 5.876 | 5.881 | 0.500 | 417531 | 410 | S |
| 4.500 | 6.000 | 6.014 | 0.500 | 416154 | 410 | S |
| 4.500 | 6.125 | 6.131 | 0.562 | 416070 | 410 | S |
| 4.500 | 6.250 | 6.256 | 0.500 | 415351 | 410 | S |
| 4.500 | 6.374 | 6.382 | 0.500 | 417532 | 410 | S |

| Shaft | Bore | O.D. | Width | Part Number | Style | Matl | Shaft | Bore | O.D. | Width | Part Number | Style | Matl |
|---------------|-------|--------|-------|--------------|-------|------|-----------------|-------|--------|-------|--------------|-------|------|
| 4.528" | | | | | | | 115mm | | | | | | |
| 4.528 | 5.315 | 5.329 | 0.394 | ◆710258← | 320 | V | 4.724 | 5.512 | 5.520 | 0.472 | ◆717004 | 480 | S |
| 115 | 135 | 135.36 | 10 | | | | 120 | 140 | 140.21 | 12 | | | |
| 4.528 | 5.512 | 5.523 | 0.472 | ◆11X514012XX | 350 | S | 4.724 | 5.512 | 5.523 | 0.512 | ◆12X014013XX | 350 | S |
| 115 | 140 | 140.28 | 12 | | | | 120 | 140 | 140.28 | 13 | | | |
| 4.528 | 5.709 | 5.720 | 0.512 | ◆11X514513XX | 350 | S | 4.724 | 5.512 | 5.524 | 0.512 | 712003← | 320 | V |
| 115 | 145 | 145.30 | 13 | | | | 4.724 | 5.512 | 5.520 | 0.512 | 712106 | 320 | T |
| 4.528 | 5.709 | 5.717 | 0.551 | ◆11X514514XX | 320 | S | | | | | | | |
| 115 | 145 | 145.20 | 14 | | | | | | | | | | |
| 4.528 | 5.906 | 5.917 | 0.472 | ◆11X515012XX | 350 | S | | | | | | | |
| 115 | 150 | 150.28 | 12 | | | | | | | | | | |
| 4.528 | 6.142 | 6.146 | 0.610 | ◆710372 | # | S | | | | | | | |
| 115 | 156 | 156.10 | 15.50 | | | | | | | | | | |
| 4.562" | | | | | | | 4 9/16" | | | | | | |
| 4.562 | 5.751 | 5.756 | 0.500 | 417533 | 410 | S | 4.750 | 5.375 | 5.381 | 0.313 | 710037 | # | A |
| 4.562 | 5.999 | 6.007 | 0.500 | 417534 | 410 | S | 4.750 | 5.750 | 5.758 | 0.500 | 415138 | 410 | S |
| 4.562 | 6.250 | 6.256 | 0.500 | 457585 | 450 | S | 4.750 | 5.751 | 5.756 | 0.500 | 714750 | 480 | V |
| | | | | | | | 4.750 | 5.876 | 5.881 | 0.500 | 417538 | 410 | S |
| | | | | | | | 4.750 | 5.999 | 6.007 | 0.625 | 415213N | 410 | N |
| 4.625" | | | | | | | 4 5/8" | | | | | | |
| 4.625 | 5.500 | 5.506 | 0.562 | 456641 | 450 | H | 4.750 | 6.000 | 6.006 | 0.562 | 39732 | TWH | T |
| 4.625 | 5.625 | 5.631 | 0.500 | 416156 | 410 | S | 4.750 | 6.000 | 6.006 | 0.562 | 39825 | TFWH | T |
| 4.625 | 5.751 | 5.756 | 0.562 | 415371 | 410 | S | 4.750 | 6.000 | 6.006 | 0.562 | 39827 | TDWH | T |
| 4.625 | 5.875 | 5.881 | 0.625 | 455685 | 450 | S | 4.750 | 6.001 | 6.009 | 0.500 | 417247 | 410 | S |
| 4.625 | 5.999 | 6.007 | 0.500 | 416158 | 410 | S | 4.750 | 6.002 | 6.092 | 0.285 | 200642 | 2000 | S |
| 4.625 | 6.186 | 6.192 | 1.250 | 2505 | 890 | S | | | | | | | |
| 4.625 | 6.250 | 6.256 | 0.562 | 415064 | 410 | S | 4.750 | 6.125 | 6.131 | 0.500 | 417252 | 410 | S |
| 4.625 | 6.622 | 6.629 | 1.093 | 7700S | 210 | S | 4.750 | 6.186 | 6.192 | 1.250 | 3100 | 890 | S |
| | | | | | | | 4.750 | 6.251 | 6.259 | 0.563 | 415066 | 410 | S |
| | | | | | | | 4.750 | 6.618 | 6.625 | 1.141 | 6663S | 890 | S |
| 4.646" | | | | | | | 4.812" | | | | | | |
| 4.646 | 5.751 | 5.756 | 0.500 | 39952 | TFWH | T | 4 13/16" | | | | | | |
| 4.646 | 6.811 | 6.843 | 1.102 | 710089 | # | S | 4.812 | 5.543 | 5.551 | 0.472 | 712449← | 320 | V |
| | | | | | | | 4.812 | 5.544 | 5.552 | 0.535 | 3341 | 1000 | H |
| | | | | | | | 4.812 | 5.751 | 5.756 | 0.562 | 455251H | 450 | H |
| | | | | | | | 4.812 | 5.999 | 6.007 | 0.500 | 416163 | 410 | S |
| | | | | | | | 4.812 | 6.250 | 6.256 | 0.500 | 456890 | 450 | S |
| 4.687" | | | | | | | 4 11/16" | | | | | | |
| 4.687 | 5.751 | 5.756 | 0.500 | 415284 | 410 | S | 4.820" | | | | | | |
| 4.687 | 5.751 | 5.756 | 0.562 | 455378H | 450 | H | 4.820 | 5.751 | 5.756 | 0.750 | 75251S | 70S | S |
| 4.687 | 5.751 | 5.756 | 0.750 | 6329S | 70S | S | | | | | | | |
| 4.687 | 5.999 | 6.007 | 0.500 | 417535 | 410 | S | | | | | | | |
| 4.687 | 6.002 | 6.007 | 0.250 | 45637S | 40S | S | | | | | | | |
| 4.687 | 6.250 | 6.256 | 0.500 | 417536 | 410 | S | | | | | | | |
| 4.687 | 6.374 | 6.382 | 0.500 | 417537 | 410 | S | | | | | | | |
| 4.720" | | | | | | | 4.835" | | | | | | |
| 4.720 | 6.312 | 6.318 | 0.473 | 457734 | 450 | S | 4.835 | 5.749 | 5.756 | 0.375 | 39954 | TDWH | T |
| | | | | | | | | | | | | | |
| 4.724" | | | | | | | 4.874" | | | | | | |
| 4.724 | 5.512 | 5.520 | 0.413 | 710084 | 470 | S | 4.874 | 6.001 | 6.009 | 0.500 | 455091 | 450 | S |
| | | | | | | | 4.874 | 6.250 | 6.258 | 0.500 | 455068 | 450 | S |
| | | | | | | | | | | | | | |
| 4.724" | | | | | | | 4.875" | | | | | | |
| 4.724 | 5.512 | 5.520 | 0.413 | 710084 | 470 | S | 4.875 | 5.999 | 6.007 | 0.500 | 416167 | 410 | S |
| | | | | | | | 4.875 | 6.125 | 6.131 | 0.500 | 417267 | 410 | S |

| Shaft | Bore | O.D. | Width | Part Number | Style | Matl |
|---------------------|-------|--------|-------|--------------|-------|------|
| 4.875 | 6.250 | 6.256 | 0.500 | 417269 | 410 | S |
| 4.875 | 6.375 | 6.625 | 0.500 | 7866S | 750 | S |
| 4.882" | | | | | | |
| 4.882 | 5.748 | 5.752 | 0.551 | 710405 | 470 | S |
| 4.882 | 6.693 | - | 0.571 | ◆710381 | # | S |
| 124 | 170 | - | 14.50 | | | |
| 4.921" 125mm | | | | | | |
| 4.921 | 5.906 | 5.917 | 0.472 | ◆12X515012XX | 320 | S |
| 125 | 150 | 150.28 | 12 | | | |
| 4.921 | 5.906 | 5.920 | 0.472 | ◆231250 | 350 | S |
| 125 | 150 | 150.37 | 12 | | | |
| 4.921 | 6.102 | 6.110 | 0.472 | ◆12X515512XX | 320 | S |
| 125 | 155 | 155.20 | 12 | | | |
| 4.921 | 6.299 | 6.310 | 0.472 | ◆12X516012XX | 350 | S |
| 125 | 160 | 160.28 | 12 | | | |
| 4.921 | 6.693 | 6.701 | 0.591 | ◆12X517015XX | 320 | S |
| 125 | 170 | 170.20 | 15 | | | |
| 4.937" | | | | | | |
| 4.937 | 5.999 | 6.007 | 0.500 | 417539 | 410 | S |
| 4.937 | 6.250 | 6.256 | 0.500 | 417273 | 410 | S |
| 4.937 | 6.374 | 6.382 | 0.500 | 417540 | 410 | S |
| 4.993" 5" | | | | | | |
| 4.993 | 6.000 | 6.006 | 0.413 | 39881 | TFW-H | T |
| 5.000" 5" | | | | | | |
| 5.000 | 5.750 | 5.756 | 0.313 | 710032 | # | U |
| 5.000 | 5.751 | 5.756 | 0.500 | 3492V | 480 | V |
| 5.000 | 5.999 | 6.006 | 0.413 | 39880 | 940 | T |
| 5.000 | 6.000 | 6.006 | 0.413 | 39801 | TFW-H | T |
| 5.000 | 6.000 | 6.016 | 0.591 | 712109← | TFW-H | T |
| 5.000 | 6.001 | 6.009 | 0.500 | 415725 | 410 | S |
| 5.000 | 6.125 | 6.131 | 0.500 | 39958 | TFW-H | T |
| 5.000 | 6.126 | 6.131 | 0.562 | 417584 | 410 | S |
| 5.000 | 6.250 | 6.256 | 0.250 | 204509 | 2040 | S |
| 5.000 | 6.250 | 6.258 | 0.500 | 455070 | 450 | S |
| 5.000 | 6.250 | 6.256 | 0.500 | 456865N | 450 | N |
| 5.000 | 6.251 | 6.250 | 0.500 | 416865 | 410 | S |
| 5.000 | 6.375 | 6.381 | 0.500 | 417278 | 410 | S |
| 5.000 | 6.499 | 6.507 | 0.500 | 417541 | 410 | S |
| 5.000 | 6.622 | 6.629 | 0.906 | 8126S | 890 | S |
| 5.000 | 6.749 | 6.757 | 0.500 | 417542 | 410 | S |
| 5.000 | 6.874 | 6.882 | 0.500 | 417543 | 410 | S |
| 5.000 | 6.877 | 6.884 | 0.625 | 415897 | 410 | S |
| 5.000 | 7.000 | 7.007 | 0.500 | 417544 | 410 | S |
| 5.000 | 7.500 | 7.507 | 0.500 | 417545 | 410 | S |

| Shaft | Bore | O.D. | Width | Part Number | Style | Matl |
|-----------------------|-------|--------|-------|--------------|-------|------|
| 5.039" 128mm | | | | | | |
| 5.039 | 5.748 | 5.752 | 0.394 | 710411 | 470 | S |
| 5.039 | 5.906 | 5.917 | 0.591 | ◆12X815015XX | 350 | S |
| 128 | 150 | 150.28 | 15 | | | |
| 5.062" | | | | | | |
| 5.062 | 6.374 | 6.382 | 0.625 | 455290 | 450 | S |
| 5.062 | 6.994 | 7.004 | 1.312 | 7378 | 50S | S |
| 5.118" 130mm | | | | | | |
| 5.118 | 5.906 | 5.909 | 0.394 | ◆13X015010XX | 470 | S |
| 130 | 150 | 150.10 | 10 | | | |
| 5.118 | 5.906 | 5.914 | 0.394 | ◆710380 | 470 | S |
| 130 | 150 | 150.22 | 10 | | | |
| 5.118 | 5.906 | 5.921 | 0.512 | 712114← | TFW-H | T |
| 5.118 | 5.906 | 5.923 | 0.571 | 39806→ | TFW-H | T |
| 5.118 | 5.906 | 5.923 | 0.583 | 39805 | TFW-H | T |
| 5.118 | 6.299 | 6.310 | 0.472 | ◆13X016012XX | 350 | S |
| 130 | 160 | 160.28 | 12 | | | |
| 5.118 | 6.299 | 6.307 | 0.591 | ◆13X016015XX | 320 | S |
| 130 | 160 | 160.20 | 15 | | | |
| 5.118 | 6.693 | 6.705 | 0.472 | ◆13X017012XX | 350 | S |
| 130 | 170 | 170.30 | 12 | | | |
| 5.118 | 6.693 | 6.704 | 0.591 | ◆13X017015XX | 350 | S |
| 130 | 170 | 170.28 | 15 | | | |
| 5.125" 5 1/8" | | | | | | |
| 5.125 | 6.125 | 6.131 | 0.500 | 416557 | 410 | S |
| 5.125 | 6.125 | 6.131 | 0.500 | 456557 | 450 | V |
| 5.125 | 6.250 | 6.256 | 0.500 | 417258 | 410 | S |
| 5.125 | 6.374 | 6.382 | 0.500 | 417546 | 410 | S |
| 5.125 | 6.499 | 6.507 | 0.500 | 417547 | 410 | S |
| 5.187" 5 3/16" | | | | | | |
| 5.187 | 6.499 | 6.507 | 0.500 | 417548 | 410 | S |
| 5.187 | 6.500 | 6.507 | 0.625 | 455956H | 450 | H |
| 5.250" 5 1/4" | | | | | | |
| 5.250 | - | - | 0.500 | 357262H← | 350 | S |
| 5.250 | 6.250 | 6.256 | 0.250 | 447060 | 440 | S |
| 5.250 | 6.250 | 6.264 | 0.251 | 345448 | 340 | S |
| 5.250 | 6.250 | 6.256 | 0.500 | 417262 | 410 | S |
| 5.250 | 6.250 | 6.256 | 0.500 | 417262V | 410 | V |
| 5.250 | 6.250 | 6.256 | 0.562 | 455448 | 450 | S |
| 5.250 | 6.375 | 6.381 | 0.500 | 417358 | 410 | S |
| 5.250 | 6.500 | 6.507 | 0.562 | 415645 | 410 | S |
| 5.250 | 6.500 | 6.508 | 0.625 | 455104 | 450 | S |
| 5.250 | 6.625 | 6.632 | 0.562 | 417359 | 410 | S |
| 5.250 | 6.750 | 6.757 | 0.500 | 417549 | 410 | S |

| Shaft | Bore | O.D. | Width | Part Number | Style | Matl |
|----------------------|-------|-------|--------|--------------|-------|------|
| 5.312" | | | | | | |
| 5.312 | 6.500 | 6.507 | 0.500 | 417550 | 410 | S |
| 5.315" 135mm | | | | | | |
| 5.315 | 6.299 | 6.314 | 0.512 | ◆13X516013XX | 350 | S |
| | 135 | 160 | 160.38 | 13 | | |
| 5.375" 5 3/8" | | | | | | |
| 5.375 | 6.374 | 6.380 | 0.500 | 417551 | 410 | S |
| 5.375 | 6.499 | 6.507 | 0.562 | 455576 | 450 | S |
| 5.375 | 6.624 | 6.632 | 0.562 | 415938 | 410 | S |
| 5.375 | 6.749 | 6.757 | 0.500 | 417554 | 410 | S |
| 5.375 | 6.875 | 6.882 | 1.000 | 3292 | 890 | S |
| 5.375 | 7.874 | 7.881 | 0.750 | 416112 | 410 | S |
| 5.428" | | | | | | |
| 5.428 | 6.500 | 6.505 | 0.420 | 710425 | 2300 | S |
| 5.433" 138mm | | | | | | |
| 5.433 | 5.984 | 5.988 | 0.472 | ◆13X815212XX | 470 | S |
| | 138 | 152 | 152.10 | 12 | | |
| 5.433 | 5.984 | 5.992 | 0.472 | ◆710368 | 470 | S |
| | 138 | 152 | 152.20 | 12 | | |
| 5.437" | | | | | | |
| 5.437 | 6.749 | 6.757 | 0.625 | 55357 | 50S | S |
| 5.500" 5 1/2" | | | | | | |
| 5.500 | 6.250 | 6.257 | 0.500 | 476842 | 470 | S |
| 5.500 | 6.312 | 6.316 | 1.250 | 6872S | 470 | S |
| 5.500 | 6.500 | 6.507 | 0.562 | 417254 | 410 | S |
| 5.500 | 6.500 | 6.505 | 1.125 | 6873S | 430 | S |
| 5.500 | 6.625 | 6.632 | 0.562 | 417360 | 410 | S |
| 5.500 | 6.625 | 6.632 | 0.670 | 3054 | 410 | H |
| 5.500 | 6.749 | 6.757 | 0.625 | 455073 | 450 | S |
| 5.500 | 6.750 | 6.758 | 0.575 | 416107 | 410 | S |
| 5.500 | 6.875 | 6.882 | 0.562 | 417361 | 410 | S |
| 5.500 | 6.997 | 7.004 | 1.250 | 7006S | 430 | S |
| 5.500 | 7.000 | 7.007 | 0.625 | 415610 | 410 | S |
| 5.500 | 7.125 | 7.133 | 0.625 | 416191 | 410 | S |
| 5.500 | 7.500 | 7.507 | 0.562 | 456192 | 450 | S |
| 5.500 | 7.624 | 7.631 | 1.250 | 8635S | 210 | S |
| 5.512" 140mm | | | | | | |
| 5.512 | 6.299 | 6.307 | 0.472 | ◆14X016012XX | 320 | S |
| | 140 | 160 | 160.20 | 12 | | |

| Shaft | Bore | O.D. | Width | Part Number | Style | Matl |
|----------------------------|-------|--------|--------|--------------|-------|------|
| 5.512 | 6.299 | 6.310 | 0.512 | ◆14X016013XX | 350 | S |
| | 140 | 160 | 160.27 | 13 | | |
| 5.512 | 6.299 | 6.310 | 0.512 | 231402 | 350 | S |
| 5.512 | 6.693 | 6.705 | 0.472 | ◆14X017012XX | 320 | S |
| | 140 | 170 | 170.30 | 12 | | |
| 5.512 | 6.693 | 6.701 | 0.551 | ◆710406 | 470 | S |
| | 140 | 170 | 170.21 | 14 | | |
| 5.512 | 6.693 | 6.710 | 0.591 | ◆14X017015XX | 350 | S |
| | 140 | 170 | 170.43 | 15 | | |
| 5.512 | 7.087 | 7.098 | 0.472 | ◆14X018012XX | 350 | S |
| | 140 | 180 | 180.30 | 12 | | |
| 5.512 | 7.087 | 7.102 | 0.709 | ◆14X018018XX | 320 | S |
| | 140 | 180 | 180.38 | 18 | | |
| 5.625" 5 5/8" 143mm | | | | | | |
| 5.625 | 6.626 | 6.634 | 0.516 | ◆417555 | 410 | S |
| | 143 | 168.30 | 168.50 | 13.10 | | |
| 5.625 | 6.874 | 6.882 | 0.500 | 417556 | 410 | S |
| 5.625 | 7.125 | 7.131 | 0.500 | 417040 | 410 | S |
| 5.669" 144mm | | | | | | |
| 5.669 | 6.299 | 6.309 | 0.472 | ◆14X416012XX | 350 | S |
| | 144 | 160 | 160.25 | 12 | | |
| 5.709" 145mm | | | | | | |
| 5.709 | 6.457 | 6.461 | 0.551 | ◆14X516414XX | 470 | S |
| | 145 | 164 | 164.10 | 14 | | |
| 5.709 | 6.457 | 10.398 | 0.551 | ◆710369 | 470 | S |
| | 145 | 164 | 264.10 | 14 | | |
| 5.709 | 6.693 | 6.711 | 0.472 | ◆14X517012XX | 350 | S |
| | 145 | 170 | 170.45 | 12 | | |
| 148 | 170 | 170.28 | 15 | | | |
| 5.709 | 6.890 | 6.905 | 0.591 | ◆14X517515XX | 350 | S |
| | 145 | 175 | 175.38 | 15 | | |
| 5.709 | 7.087 | 7.098 | 0.472 | ◆14X518012XX | 350 | S |
| | 145 | 180 | 180.28 | 12 | | |
| 5.750" 5 3/4" | | | | | | |
| 5.750 | 6.624 | 6.632 | 0.625 | 415447 | 410 | S |
| 5.750 | 6.750 | 6.757 | 0.575 | 417362 | 410 | S |
| 5.750 | 6.875 | 6.882 | 0.562 | 417363 | 410 | S |
| 5.750 | 7.001 | 7.008 | 0.562 | 416666 | 410 | S |
| 5.750 | 7.125 | 7.132 | 0.562 | 417364 | 410 | S |
| 5.750 | 7.500 | 7.508 | 0.562 | 416039 | 410 | S |
| 5.750 | 7.874 | 7.881 | 0.750 | 416029 | 410 | S |
| 5.750 | 7.874 | 7.881 | 0.750 | 416029N | 410 | N |
| 5.827" 148mm | | | | | | |
| 5.827 | 6.693 | 6.704 | 0.591 | ◆14X817015XX | 350 | S |
| | 148 | 170 | 170.28 | 15 | | |

| Shaft | Bore | O.D. | Width | Part Number | Style | Matl |
|----------------------|-------|-------|--------|--------------|-------|---------|
| 5.875" 5 7/8" | | | | | | |
| 5.875 | 7.125 | 7.133 | 0.500 | 416476 | 410 | S |
| 5.875 | 7.125 | 7.135 | 0.625 | 455075 | 450 | S |
| 5.875 | 7.500 | 7.508 | 0.562 | 455297 | 450 | S |
| 5.875 | 7.999 | 8.007 | 0.750 | 456052 | 450 | S |
| 5.875 | 8.001 | 8.007 | 0.750 | 3016 | 450 | S |
| 5.906" 150mm | | | | | | |
| 5.906 | 7.087 | 7.100 | 0.472 | ◆15X018012XX | 350 | S |
| | 150 | 180 | 180.35 | 12 | | |
| 5.906 | 7.087 | 7.100 | 0.591 | ◆15X018015XX | 350 | S |
| | 150 | 180 | 180.35 | 15 | | |
| 5.937" | | | | | | |
| 5.937 | 6.801 | 0.000 | 1.125 | 8907 | # | S |
| 5.937 | 7.502 | 7.508 | 0.562 | 417780 | 410 | S |
| 5.997" 6" | | | | | | |
| 5.997 | 7.125 | 7.131 | 0.500 | 39956 | | TDW-H T |
| 6.000" 6" | | | | | | |
| 6.000 | 6.750 | 6.756 | 0.437 | 39807 | | TW-H T |
| 6.000 | 6.750 | 6.757 | 0.500 | 2297V← | 250 | V |
| 6.000 | 6.750 | 6.757 | 0.625 | 39823 | | TDW-H T |
| 6.000 | 6.751 | 6.757 | 0.375 | 447793 | 440 | S |
| 6.000 | 7.000 | 7.008 | 0.500 | 415683 | 410 | S |
| 6.000 | 7.001 | 7.008 | 0.625 | 456055 | 450 | V |
| 6.000 | 7.125 | 7.132 | 0.562 | 417365 | 410 | S |
| 6.000 | 7.475 | 7.481 | 0.590 | 39715 | # | T |
| 6.000 | 7.500 | 7.508 | 0.562 | 415072 | 410 | S |
| 6.077" | | | | | | |
| 6.077 | 7.328 | 7.336 | 0.445 | 39889 | | TW-H T |
| 6.077 | 7.328 | 7.336 | 0.445 | 39890 | | TW-H T |
| 6.102" 155mm | | | | | | |
| 6.102 | 7.087 | 7.096 | 0.591 | ◆15X518015XX | 320 | S |
| | 155 | 180 | 180.23 | 15 | | |
| 6.125" 6 1/8" | | | | | | |
| 6.125 | 7.125 | 7.135 | 0.626 | 455330 | 450 | S |
| 6.125 | 7.500 | 7.508 | 0.562 | 415074 | 410 | S |
| 6.125 | 7.627 | 7.633 | 0.625 | 457874 | 450 | S |
| 6.142" | | | | | | |
| 6.142 | 7.087 | 7.094 | 0.591 | 712110← | | TW T |

| Shaft | Bore | O.D. | Width | Part Number | Style | Matl |
|----------------------|-------|-------|--------|--------------|-------|---------|
| 6.142 | 7.087 | 7.102 | 0.591 | 712122← | | TFW-H T |
| 6.187" | | | | | | |
| 6.187 | 7.500 | 7.507 | 0.562 | 455583N | 450 | N |
| 6.198" | | | | | | |
| 6.198 | 7.328 | 7.336 | 0.354 | 39885 | | TFW-H T |
| 6.198 | 7.328 | 7.336 | 0.445 | 39888 | | TFW-H T |
| 6.202" | | | | | | |
| 6.202 | 7.329 | 7.336 | 0.377 | 39886 | | TDW-H T |
| 6.204" | | | | | | |
| 6.204 | 7.328 | 7.336 | 0.562 | 2628 | 640 | H |
| 6.204 | 7.330 | 7.336 | 0.445 | 39887 | | TFW-H T |
| 6.238" | | | | | | |
| 6.238 | 8.654 | 8.661 | 0.560 | 39044← | 900 | T |
| 6.238 | 8.655 | 8.661 | 1.100 | 39883 | 900 | T |
| 6.250" 6 1/4" | | | | | | |
| 6.250 | 7.500 | 7.508 | 0.562 | 455480 | 450 | S |
| 6.250 | 7.500 | 7.508 | 0.562 | 455480V | 450 | V |
| 6.250 | 7.750 | 7.758 | 0.500 | 417562 | 410 | S |
| 6.250 | 7.875 | 7.884 | 0.750 | 415854 | 410 | S |
| 6.299" 160mm | | | | | | |
| 6.299 | 7.283 | 7.297 | 0.394 | ◆16X018510XX | 350 | S |
| | 160 | 185 | 185.35 | 10 | | |
| 6.299 | 7.480 | 7.496 | 0.512 | 712118← | | TFW-H T |
| 6.299 | 7.480 | 7.494 | 0.591 | ◆16X019015XX | 350 | S |
| | 160 | 190 | 190.35 | 15 | | |
| 6.299 | 7.874 | 7.882 | 0.472 | ◆16X020012XX | 320 | S |
| | 160 | 200 | 200.20 | 12 | | |
| 6.299 | 7.874 | 7.882 | 0.591 | ◆16X020015XX | 320 | S |
| | 160 | 200 | 200.20 | 15 | | |
| 6.328" | | | | | | |
| 6.328 | 7.329 | 7.336 | 0.500 | 3807 | 640 | H |
| 6.375" | | | | | | |
| 6.375 | 7.875 | 7.883 | 0.500 | 417563 | 410 | S |
| 6.496" | | | | | | |
| 6.496 | 7.632 | 7.638 | 0.497 | 37586 | # | T |
| 6.496 | 9.600 | 9.606 | 0.540 | 39861 | # | T |

| Shaft | Bore | O.D. | Width | Part Number | Style | Matl |
|---------------|-------|---------------|-------|--------------|-------|------|
| 6.500" | | 6 1/2" | | | | |
| 6.500 | 7.500 | 7.508 | 0.562 | 415294 | 410 | S |
| 6.500 | 7.500 | 7.508 | 0.562 | 455294 | 450 | S |
| 6.500 | 8.000 | 8.007 | 0.625 | 41509 | TPDW | T |
| 6.500 | 8.000 | 8.007 | 0.625 | 41510 | TPDW | T |
| 6.500 | 8.000 | 8.009 | 0.625 | 416229 | 410 | S |
| 6.513" | | 135mm | | | | |
| 6.513 | 6.693 | 6.708 | 0.472 | ◆13X517012XX | 350 | S |
| 135 | 170 | 170.38 | 12 | | | |
| 6.625" | | | | | | |
| 6.625 | 8.125 | 8.134 | 0.625 | 417298 | 410 | S |
| 6.693" | | 170mm | | | | |
| 6.693 | 7.874 | 7.888 | 0.591 | ◆17X020015XX | 350 | S |
| 170 | 200 | 200.35 | 15 | | | |
| 6.693 | 8.268 | 8.276 | 0.591 | ◆17X021015XX | 320 | S |
| 170 | 210 | 210.20 | 15 | | | |
| 6.750" | | 6 3/4" | | | | |
| 6.750 | 8.000 | 8.009 | 0.625 | 415327 | 410 | S |
| 6.750 | 8.007 | 8.017 | 0.625 | 416362 | 410 | S |
| 6.750 | 8.250 | 8.257 | 0.562 | 417596 | 410 | S |
| 6.750 | 8.500 | 8.509 | 0.625 | 416008 | 410 | S |
| 6.775" | | | | | | |
| 6.775 | 7.875 | 7.880 | 0.360 | 710562 | 2300 | S |
| 6.875" | | 6 7/8" | | | | |
| 6.875 | 7.875 | 7.883 | 0.625 | 455948 | 450 | S |
| 6.875 | 8.375 | 8.382 | 0.625 | 455584 | 450 | S |
| 6.890" | | 175mm | | | | |
| 6.890 | 7.874 | 7.888 | 0.591 | ◆17X520015XX | 320 | S |
| 175 | 200 | 200.35 | 15 | | | |
| 7.000" | | 7" | | | | |
| 7.000 | 8.000 | 8.009 | 0.625 | 416364 | 410 | S |
| 7.000 | 8.250 | 8.257 | 0.625 | 417597 | 410 | S |
| 7.000 | 8.375 | 8.382 | 0.625 | 417255 | 410 | S |
| 7.000 | 8.375 | 8.382 | 0.750 | 416674V | 410 | V |
| 7.000 | 8.750 | 8.759 | 0.625 | 417564 | 410 | S |
| 7.000 | 9.313 | 9.321 | 0.625 | 415876 | 410 | S |
| 7.000 | 9.313 | 9.321 | 0.625 | 415876V | 410 | V |

| Shaft | Bore | O.D. | Width | Part Number | Style | Matl |
|---------------|--------|---------------|-------|--------------|-------|------|
| 7.087" | | 180mm | | | | |
| 7.087 | 8.268 | 8.281 | 0.591 | ◆18X021015XX | 350 | S |
| 180 | 210 | 210.35 | 15 | | | |
| 7.125" | | | | | | |
| 7.125 | 8.625 | 8.632 | 0.562 | 416077 | 410 | S |
| 7.250" | | 7 1/4" | | | | |
| 7.250 | 8.125 | 8.133 | 0.500 | 39701 | TFW-H | T |
| 7.250 | 8.125 | 8.132 | 0.940 | 39815 | TDW-H | T |
| 7.250 | 8.250 | 8.257 | 0.625 | 416044 | 410 | S |
| 7.250 | 8.750 | 8.759 | 0.750 | 415116 | 410 | S |
| 7.283" | | 185mm | | | | |
| 7.283 | 8.268 | 8.281 | 0.512 | ◆18X512013XX | 350 | S |
| 185 | 210 | 210.35 | 13 | | | |
| 7.375" | | 7 3/8" | | | | |
| 7.375 | 8.875 | 8.882 | 0.750 | 455117 | 450 | S |
| 7.375 | 9.000 | 9.010 | 0.750 | 415317 | 410 | S |
| 7.375 | 9.615 | 9.622 | 0.979 | 4353 | # | V |
| 7.375 | 9.615 | 9.622 | 0.979 | 4353V | # | V |
| 7.480" | | 190mm | | | | |
| 7.480 | 8.661 | 8.675 | 0.630 | ◆19X022016XX | 350 | S |
| 190 | 220 | 220.35 | 16 | | | |
| 7.480 | 8.858 | 8.866 | 0.630 | ◆19X023016XX | 320 | S |
| 190 | 230 | 230.20 | 16 | | | |
| 7.500" | | 7 1/2" | | | | |
| 7.500 | 8.500 | 8.510 | 0.625 | 415867 | 410 | S |
| 7.500 | 8.500 | 8.509 | 0.625 | 455867V | 450 | V |
| 7.500 | 9.000 | 9.010 | 0.750 | 415551 | 410 | S |
| 7.500 | 9.000 | 9.010 | 0.750 | 415551V | 410 | V |
| 7.500 | 9.243 | 9.250 | 0.625 | 417283 | 410 | S |
| 7.625" | | 7 5/8" | | | | |
| 7.625 | 8.625 | 8.632 | 0.562 | 416102 | 410 | S |
| 7.625 | 9.125 | 9.133 | 0.625 | 417598 | 410 | S |
| 7.625 | 9.125 | 9.133 | 0.625 | 417598V | 410 | V |
| 7.750" | | 7 3/4" | | | | |
| 7.750 | 10.000 | 10.008 | 0.750 | 417115 | 410 | S |
| 7.750 | 9.000 | 9.010 | 0.625 | 457299 | 450 | S |
| 7.750 | 9.250 | 9.260 | 0.625 | 455406 | 450 | S |

| Shaft | Bore | O.D. | Width | Part Number | Style | Matl |
|----------------------|--------------|-----------------|-------------|--------------|-------|------|
| 7.874" 200mm | | | | | | |
| 7.874 200 | 9.055 230 | 9.069 230.35 | 0.591 15 | ◆20X023015XX | 450 | S |
| 7.875" 7 7/8" | | | | | | |
| 7.875 | 10.000 | 10.008 | 0.625 | 417016 | 410 | S |
| 7.875 | 9.375 | 9.383 | 0.750 | 455121V | 450 | V |
| 7.937" | | | | | | |
| 7.937 | 8.750 | 8.757 | 0.565 | 417817 | 410 | S |
| 7.995" 8" | | | | | | |
| 7.995 | 11.625 | 11.633 | 1.078 | 8724S | 410 | S |
| 8.000" 8" | | | | | | |
| 8.000 | 10.000 | 10.008 | 0.625 | 417602 | 410 | S |
| 8.000 | 10.125 | 10.133 | 0.750 | 415052 | 410 | S |
| 8.000 | 11.624 | 11.632 | 0.750 | 7131 | # | S |
| 8.000 | 9.000 | 9.010 | 0.750 | 415656 | 410 | S |
| 8.000 | 9.250 | 9.258 | 0.625 | 417600 | 410 | S |
| 8.000 | 9.500 | 9.508 | 0.625 | 417601 | 410 | S |
| 8.125" | | | | | | |
| 8.125 | 10.125 | 10.130 | 0.750 | 455123 | 450 | S |
| 8.250" 8 1/4" | | | | | | |
| 8.250 | 10.250 | 10.260 | 0.750 | 415124 | 410 | S |
| 8.250 | 10.625 | 10.633 | 0.750 | 416951 | 410 | S |
| 8.250 | 11.500 | 11.507 | 0.750 | 416422 | 410 | S |
| 8.250 | 9.250 | 9.258 | 0.625 | 455475 | 450 | S |
| 8.250 | 9.500 | 9.509 | 0.625 | 458009V | 450 | V |
| 8.268" 210mm | | | | | | |
| 8.268 210 | 9.449 240 | 9.463 240.35 | 0.591 15 | ◆21X024015XX | 350 | S |
| 8.268 210 | 9.843 250 | 9.850 250.20 | 0.591 15 | ◆21X025015XX | 320 | S |
| 8.375" | | | | | | |
| 8.375 | 10.375 | 10.385 | 0.625 | 417022 | 410 | S |
| 8.500" 8 1/2" | | | | | | |
| 8.500 | 10.000 | 10.008 | 0.625 | 417603 | 410 | S |
| 8.500 | 10.500 | 10.508 | 0.625 | 417604 | 410 | S |

| Shaft | Bore | O.D. | Width | Part Number | Style | Matl |
|----------------------|---------------|------------------|-------------|--------------|-------|------|
| 8.500 | 10.625 | 10.633 | 0.750 | 416394 | 410 | S |
| 8.500 | 9.500 | 9.509 | 0.625 | 455828V | 450 | V |
| 8.625" | | | | | | |
| 8.625 | 10.625 | 10.635 | 0.750 | 417567 | 410 | S |
| 8.661" 220mm | | | | | | |
| 8.661 220 | 9.843 250 | 9.856 250.35 | 0.591 15 | ◆22X025015XX | 350 | S |
| 8.750" 8 3/4" | | | | | | |
| 8.750 | 10.500 | 10.510 | 0.750 | 455966 | 450 | S |
| 8.750 | 10.750 | 10.758 | 0.750 | 415128 | 410 | S |
| 8.875" | | | | | | |
| 8.875 | 10.122 | 10.130 | 0.750 | 416657 | 410 | S |
| 8.875 | 10.875 | 10.885 | 0.750 | 455129 | 450 | S |
| 9.000" 9" | | | | | | |
| 9.000 | 10.000 | 10.010 | 0.750 | 455301 | 450 | S |
| 9.000 | 10.000 | 10.010 | 0.750 | 455301S | 450 | S |
| 9.000 | 10.000 | 10.010 | 0.750 | 55301S | 450 | S |
| 9.000 | 10.088 | 10.095 | 0.625 | 417940 | 410 | S |
| 9.000 | 10.250 | 10.260 | 0.750 | 455476 | 450 | S |
| 9.000 | 10.375 | 10.384 | 0.625 | 456462 | 450 | S |
| 9.000 | 10.376 | 10.384 | 0.625 | 2791 | 330 | S |
| 9.000 | 10.500 | 10.510 | 0.625 | 455462 | 450 | S |
| 9.000 | 11.000 | 11.008 | 0.750 | 415090 | 410 | S |
| 9.052" | | | | | | |
| 9.052 | 10.709 | 10.720 | 0.625 | 39893 | TFW-H | T |
| 9.052 | 10.709 | 10.720 | 0.625 | 39894 | TFW-H | T |
| 9.055" 230mm | | | | | | |
| 9.055 230 | 10.236 260 | 10.250 260.35 | 0.591 15 | ◆23X026015XX | 350 | S |
| 9.250" 9 1/4" | | | | | | |
| 9.250 | 10.250 | 10.258 | 0.500 | 337426N | 330 | N |
| 9.250 | 11.000 | 11.008 | 0.750 | 416257 | 410 | S |
| 9.250 | 11.250 | 11.260 | 0.750 | 415219 | 410 | S |
| 9.375" | | | | | | |
| 9.375 | 11.375 | 11.385 | 0.750 | 415871 | 410 | S |

| Shaft | Bore | O.D. | Width | Part Number | Style | Matl |
|----------------|--------|--------|--------|----------------|-------|------|
| 9.449" | | | | 240mm | | |
| 9.449 | 10.630 | 10.644 | 0.591 | ◆24X027015XX | 350 | S |
| | 240 | 270 | 270.35 | 15 | | |
| 9.449 | 11.024 | 11.031 | 0.630 | ◆24X028016XX | 320 | S |
| | 240 | 280 | 280.20 | 16 | | |
| 9.466" | | | | | | |
| 9.466 | 10.875 | 10.891 | 0.375 | 710800 | 2300 | S |
| 9.500" | | | | 9 1/2" | | |
| 9.500 | 11.500 | 11.508 | 0.625 | 417606 | 410 | S |
| 9.500 | 12.499 | 12.509 | 0.687 | 9555S | 410 | S |
| 9.625" | | | | | | |
| 9.625 | 12.750 | 12.758 | 1.250 | 416381 | 410 | S |
| 9.750" | | | | 9 3/4" | | |
| 9.750 | 11.250 | 11.260 | 0.750 | 55078S | 50S | S |
| 9.910" | | | | | | |
| 9.910 | 10.995 | 11.005 | 0.625 | 417939 | 410 | S |
| 9.910 | 10.997 | 11.005 | 0.625 | 2792 | 330 | S |
| 9.910 | 10.997 | 11.005 | 0.625 | 456464 | 450 | S |
| 10.000" | | | | 10" | | |
| 10.000 | 11.000 | 11.008 | 0.625 | 417605 | 410 | S |
| 10.000 | 11.500 | 11.508 | 0.750 | 457096V | 450 | V |
| 10.000 | 12.000 | 12.008 | 0.625 | 417020 | 410 | S |
| 10.250" | | | | 10 1/4" | | |
| 10.250 | 12.250 | 12.260 | 0.750 | 417570 | 410 | S |
| 10.500" | | | | 10 1/2" | | |
| 10.500 | 12.000 | 12.008 | 0.625 | 457997 | 450 | S |
| 10.500 | 12.500 | 12.508 | 1.000 | 415227 | 410 | S |
| 10.750" | | | | 10 3/4" | | |
| 10.750 | 13.374 | 13.381 | 1.250 | 416383 | 410 | S |

| Shaft | Bore | O.D. | Width | Part Number | Style | Matl |
|----------------|--------|--------|--------|----------------|-------|------|
| 11.000" | | | | 11" | | |
| 11.000 | 12.500 | 12.510 | 0.625 | 417571 | 410 | S |
| 11.000 | 13.000 | 13.010 | 0.750 | 415482 | 410 | S |
| 11.006" | | | | | | |
| 11.006 | 12.875 | 12.891 | 0.625 | 710925 | 2300 | S |
| 11.024" | | | | 280mm | | |
| 11.024 | 12.598 | 12.616 | 0.787 | ◆28X032020XX | 320 | S |
| | 280 | 320 | 320.45 | 20 | | |
| 11.220" | | | | | | |
| 11.220 | 12.250 | 12.260 | 0.945 | 39899 | # | T |
| 11.220 | 12.250 | 12.260 | 0.945 | 39900 | # | T |
| 11.500" | | | | 11 1/2" | | |
| 11.500 | 13.000 | 13.010 | 0.750 | 415077 | 410 | S |
| 11.500 | 13.500 | 13.508 | 0.750 | 415076 | 410 | S |
| 11.586" | | | | | | |
| 11.586 | 13.687 | 13.703 | 0.562 | 711000 | 2300 | S |
| 11.811" | | | | 300mm | | |
| 11.811 | 13.386 | 13.404 | 0.787 | ◆30X034020XX | 320 | S |
| | 300 | 340 | 340.45 | 20 | | |
| 12.000" | | | | 12" | | |
| 12.000 | 14.000 | 14.010 | 0.750 | 417608 | 410 | S |
| 13.797" | | | | | | |
| 13.797 | 15.500 | 15.513 | 0.437 | 711200 | 2300 | S |
| 16.250" | | | | 16 1/4" | | |
| 16.250 | 18.000 | 18.010 | 0.750 | 55103S | 450 | S |

Styles VS1, VS3, & VS4

Style VS2

| Shaft Diameter Range* (d1) | | Shaft/mm (d1) | Width Shaft (A) | Overall Width (B) | Fitted Width (B1) | Width Tolerance (+/-) | Height (C) | Part Number | Style | Matl |
|----------------------------|------|---------------|-----------------|-------------------|-------------------|-----------------------|------------|---------------|-------|------|
| 0.11 | 0.14 | 3 | 0.08 | 0.12 | 0.10 | 0.012 | 0.06 | 800030 | VS1 | S |
| 0.11 | 0.14 | 3 | 0.08 | 0.12 | 0.10 | 0.012 | 0.06 | 800034 | VS1 | V |
| 0.14 | 0.18 | 4 | 0.09 | 0.15 | 0.12 | 0.016 | 0.08 | 800040 | VS1 | S |
| 0.14 | 0.18 | 4 | 0.09 | 0.15 | 0.12 | 0.016 | 0.08 | 800044 | VS1 | V |
| 0.18 | 0.21 | 5 | 0.09 | 0.15 | 0.12 | 0.016 | 0.08 | 800050 | VS1 | S |
| 0.18 | 0.21 | 5 | 0.09 | 0.15 | 0.12 | 0.016 | 0.08 | 800054 | VS1 | V |
| 0.18 | 0.21 | 5 | 0.15 | 0.21 | 0.18 | 0.016 | 0.08 | 800051 | VS2 | S |
| 0.18 | 0.21 | 5 | 0.15 | 0.21 | 0.18 | 0.016 | 0.08 | 800055 | VS2 | V |
| 0.21 | 0.26 | 6 | 0.09 | 0.15 | 0.12 | 0.016 | 0.08 | 800060 | VS1 | S |
| 0.21 | 0.26 | 6 | 0.09 | 0.15 | 0.12 | 0.016 | 0.08 | 800064 | VS1 | V |
| 0.21 | 0.26 | 6 | 0.15 | 0.21 | 0.18 | 0.016 | 0.08 | 800061 | VS2 | S |
| 0.21 | 0.26 | 6 | 0.15 | 0.21 | 0.18 | 0.016 | 0.08 | 800065 | VS2 | V |
| 0.26 | 0.31 | 7 | 0.09 | 0.15 | 0.12 | 0.016 | 0.08 | 800070 | VS1 | S |
| 0.26 | 0.31 | 7 | 0.09 | 0.15 | 0.12 | 0.016 | 0.08 | 800074 | VS1 | V |
| 0.26 | 0.31 | 7 | 0.15 | 0.21 | 0.18 | 0.016 | 0.08 | 800071 | VS2 | S |
| 0.26 | 0.31 | 7 | 0.15 | 0.21 | 0.18 | 0.016 | 0.08 | 800075 | VS2 | V |
| 0.31 | 0.37 | 8 | 0.09 | 0.15 | 0.12 | 0.016 | 0.08 | 800080 | VS1 | S |
| 0.31 | 0.37 | 8 | 0.09 | 0.15 | 0.12 | 0.016 | 0.08 | 800084 | VS1 | V |
| 0.31 | 0.37 | 8 | 0.15 | 0.21 | 0.18 | 0.016 | 0.08 | 800081 | VS2 | S |
| 0.31 | 0.37 | 8 | 0.15 | 0.21 | 0.18 | 0.016 | 0.08 | 800085 | VS2 | V |
| 0.37 | 0.45 | 10 | 0.13 | 0.22 | 0.18 | 0.020 | 0.12 | 800100 | VS1 | S |
| 0.37 | 0.45 | 10 | 0.13 | 0.22 | 0.18 | 0.020 | 0.12 | 800104 | VS1 | V |
| 0.37 | 0.45 | 10 | 0.22 | 0.30 | 0.26 | 0.020 | 0.12 | 800101 | VS2 | S |
| 0.37 | 0.45 | 10 | 0.22 | 0.30 | 0.26 | 0.020 | 0.12 | 800105 | VS2 | V |
| 0.45 | 0.49 | 12 | 0.13 | 0.22 | 0.18 | 0.020 | 0.12 | 800120 | VS1 | S |
| 0.45 | 0.49 | 12 | 0.13 | 0.22 | 0.18 | 0.020 | 0.12 | 800124 | VS1 | V |
| 0.45 | 0.49 | 12 | 0.22 | 0.30 | 0.26 | 0.020 | 0.12 | 800121 | VS2 | S |
| 0.45 | 0.49 | 12 | 0.22 | 0.30 | 0.26 | 0.020 | 0.12 | 800125 | VS2 | V |
| 0.49 | 0.53 | 13 | 0.13 | 0.22 | 0.18 | 0.020 | 0.12 | 800130 | VS1 | S |
| 0.49 | 0.53 | 13 | 0.13 | 0.22 | 0.18 | 0.020 | 0.12 | 800134 | VS1 | V |

* Select the larger V-Seal when the dimension d1 is on the boundary between two sizes of V-Seals

| Shaft Diameter Range* (d1) | Shaft/mm (d1) | Width Shaft (A) | Overall Width (B) | Fitted Width (B1) | Width Tolerance (+/-) | Height (C) | Part Number | Style | Matl | |
|----------------------------|---------------|-----------------|-------------------|-------------------|-----------------------|------------|-------------|---------------|------|---|
| 0.53 | 0.61 | 14 | 0.13 | 0.22 | 0.18 | 0.020 | 0.12 | 800140 | VS1 | S |
| 0.53 | 0.61 | 14 | 0.13 | 0.22 | 0.18 | 0.020 | 0.12 | 800144 | VS1 | V |
| 0.53 | 0.61 | 14 | 0.22 | 0.30 | 0.26 | 0.020 | 0.12 | 800141 | VS2 | S |
| 0.53 | 0.61 | 14 | 0.22 | 0.30 | 0.26 | 0.020 | 0.12 | 800145 | VS2 | V |
| 0.61 | 0.69 | 16 | 0.13 | 0.22 | 0.18 | 0.020 | 0.12 | 800160 | VS1 | S |
| 0.61 | 0.69 | 16 | 0.13 | 0.22 | 0.18 | 0.020 | 0.12 | 800164 | VS1 | V |
| 0.61 | 0.69 | 16 | 0.22 | 0.30 | 0.26 | 0.020 | 0.12 | 800161 | VS2 | S |
| 0.61 | 0.69 | 16 | 0.22 | 0.30 | 0.26 | 0.020 | 0.12 | 800165 | VS2 | V |
| 0.69 | 0.75 | 18 | 0.13 | 0.22 | 0.18 | 0.020 | 0.12 | 800180 | VS1 | S |
| 0.69 | 0.75 | 18 | 0.13 | 0.22 | 0.18 | 0.020 | 0.12 | 800184 | VS1 | V |
| 0.69 | 0.75 | 18 | 0.22 | 0.30 | 0.26 | 0.020 | 0.12 | 800181 | VS2 | S |
| 0.69 | 0.75 | 18 | 0.22 | 0.30 | 0.26 | 0.020 | 0.12 | 800185 | VS2 | V |
| 0.75 | 0.83 | 20 | 0.18 | 0.30 | 0.24 | 0.030 | 0.16 | 800200 | VS1 | S |
| 0.75 | 0.83 | 20 | 0.18 | 0.30 | 0.24 | 0.030 | 0.16 | 800204 | VS1 | V |
| 0.75 | 0.83 | 20 | 0.31 | 0.41 | 0.35 | 0.030 | 0.16 | 800201 | VS2 | S |
| 0.75 | 0.83 | 20 | 0.31 | 0.41 | 0.35 | 0.030 | 0.16 | 800205 | VS2 | V |
| 0.83 | 0.95 | 22 | 0.18 | 0.30 | 0.24 | 0.030 | 0.16 | 800220 | VS1 | S |
| 0.83 | 0.95 | 22 | 0.18 | 0.30 | 0.24 | 0.030 | 0.16 | 800224 | VS1 | V |
| 0.83 | 0.95 | 22 | 0.31 | 0.41 | 0.35 | 0.030 | 0.16 | 800221 | VS2 | S |
| 0.93 | 0.95 | 22 | 0.31 | 0.41 | 0.35 | 0.030 | 0.16 | 800225 | VS2 | V |
| 0.95 | 1.07 | 25 | 0.18 | 0.30 | 0.24 | 0.030 | 0.16 | 800250 | VS1 | S |
| 0.95 | 1.07 | 25 | 0.18 | 0.30 | 0.24 | 0.030 | 0.16 | 800254 | VS1 | V |
| 0.95 | 1.07 | 25 | 0.31 | 0.41 | 0.35 | 0.030 | 0.16 | 800255 | VS2 | V |
| 0.96 | 1.07 | 25 | 0.31 | 0.41 | 0.35 | 0.030 | 0.16 | 800251 | VS2 | S |
| 1.07 | 1.14 | 28 | 0.18 | 0.30 | 0.24 | 0.030 | 0.16 | 800280 | VS1 | S |
| 1.07 | 1.14 | 28 | 0.18 | 0.30 | 0.24 | 0.030 | 0.16 | 800284 | VS1 | V |
| 1.07 | 1.14 | 28 | 0.31 | 0.41 | 0.35 | 0.030 | 0.16 | 800281 | VS2 | S |
| 1.07 | 1.14 | 28 | 0.31 | 0.41 | 0.35 | 0.030 | 0.16 | 800285 | VS2 | V |
| 1.14 | 1.22 | 30 | 0.18 | 0.30 | 0.24 | 0.030 | 0.16 | 800300 | VS1 | S |
| 1.14 | 1.22 | 30 | 0.18 | 0.30 | 0.24 | 0.030 | 0.16 | 800304 | VS1 | V |
| 1.14 | 1.22 | 30 | 0.31 | 0.41 | 0.35 | 0.030 | 0.16 | 800301 | VS2 | S |
| 1.14 | 1.22 | 30 | 0.31 | 0.41 | 0.35 | 0.030 | 0.16 | 800305 | VS2 | V |
| 1.22 | 1.30 | 32 | 0.18 | 0.30 | 0.24 | 0.030 | 0.16 | 800320 | VS1 | S |
| 1.22 | 1.30 | 32 | 0.18 | 0.30 | 0.24 | 0.030 | 0.16 | 800324 | VS1 | V |
| 1.22 | 1.30 | 32 | 0.31 | 0.41 | 0.35 | 0.030 | 0.16 | 800321 | VS2 | S |
| 1.22 | 1.30 | 32 | 0.31 | 0.41 | 0.35 | 0.030 | 0.16 | 800325 | VS2 | V |
| 1.30 | 1.42 | 35 | 0.18 | 0.30 | 0.24 | 0.030 | 0.16 | 800350 | VS1 | S |
| 1.30 | 1.42 | 35 | 0.18 | 0.30 | 0.24 | 0.030 | 0.16 | 800354 | VS1 | V |
| 1.30 | 1.42 | 35 | 0.31 | 0.41 | 0.35 | 0.030 | 0.16 | 800351 | VS2 | S |
| 1.30 | 1.42 | 36 | 0.31 | 0.41 | 0.35 | 0.030 | 0.16 | 800355 | VS2 | V |
| 1.42 | 1.50 | 38 | 0.18 | 0.30 | 0.24 | 0.030 | 0.16 | 800380 | VS1 | S |
| 1.42 | 1.50 | 38 | 0.18 | 0.30 | 0.24 | 0.030 | 0.16 | 800384 | VS1 | V |
| 1.42 | 1.50 | 38 | 0.31 | 0.41 | 0.35 | 0.030 | 0.16 | 800381 | VS2 | S |
| 1.42 | 1.50 | 38 | 0.31 | 0.41 | 0.35 | 0.030 | 0.16 | 800385 | VS2 | V |
| 1.50 | 1.70 | 40 | 0.21 | 0.35 | 0.28 | 0.040 | 0.20 | 800400 | VS1 | S |
| 1.50 | 1.70 | 40 | 0.37 | 0.51 | 0.43 | 0.040 | 0.20 | 800401 | VS2 | S |
| 1.50 | 1.70 | 40 | 0.37 | 0.51 | 0.43 | 0.040 | 0.20 | 800405 | VS2 | V |
| 1.50 | 1.70 | 40 | 0.21 | 0.35 | 0.28 | 0.040 | 0.20 | 800404 | VS1 | V |
| 1.70 | 1.89 | 45 | 0.21 | 0.35 | 0.28 | 0.040 | 0.20 | 800450 | VS1 | S |
| 1.70 | 1.89 | 45 | 0.21 | 0.35 | 0.28 | 0.040 | 0.20 | 800454 | VS1 | V |

Styles VS1, VS3, & VS4

Style VS2

| Shaft Diameter Range* (d1) | Shaft/mm (d1) | Width Shaft (A) | Overall Width (B) | Fitted Width (B1) | Width Tolerance (+/-) | Height (C) | Part Number | Style | Matl | |
|----------------------------|---------------|-----------------|-------------------|-------------------|-----------------------|------------|-------------|--------|------|---|
| 1.70 | 1.89 | 45 | 0.37 | 0.51 | 0.43 | 0.040 | 0.20 | 800451 | VS2 | S |
| 1.70 | 1.89 | 45 | 0.37 | 0.51 | 0.43 | 0.040 | 0.20 | 800455 | VS2 | V |
| 1.89 | 2.09 | 50 | 0.21 | 0.35 | 0.28 | 0.040 | 0.20 | 800500 | VS1 | S |
| 1.89 | 2.09 | 50 | 0.21 | 0.35 | 0.28 | 0.040 | 0.20 | 800504 | VS1 | V |
| 1.89 | 2.09 | 50 | 0.37 | 0.51 | 0.43 | 0.040 | 0.20 | 800501 | VS2 | S |
| 1.89 | 2.09 | 50 | 0.37 | 0.51 | 0.43 | 0.040 | 0.20 | 800505 | VS2 | V |
| 2.09 | 2.29 | 55 | 0.21 | 0.35 | 0.28 | 0.040 | 0.20 | 800550 | VS1 | S |
| 2.09 | 2.29 | 55 | 0.21 | 0.35 | 0.28 | 0.040 | 0.20 | 800554 | VS1 | V |
| 2.09 | 2.29 | 55 | 0.37 | 0.51 | 0.43 | 0.040 | 0.20 | 800551 | VS2 | S |
| 2.09 | 2.29 | 55 | 0.37 | 0.51 | 0.43 | 0.040 | 0.20 | 800555 | VS2 | V |
| 2.29 | 2.48 | 60 | 0.21 | 0.35 | 0.28 | 0.040 | 0.20 | 800600 | VS1 | S |
| 2.29 | 2.48 | 60 | 0.21 | 0.35 | 0.28 | 0.040 | 0.20 | 800604 | VS1 | V |
| 2.29 | 2.48 | 60 | 0.37 | 0.51 | 0.43 | 0.040 | 0.20 | 800601 | VS2 | S |
| 2.29 | 2.48 | 60 | 0.37 | 0.51 | 0.43 | 0.040 | 0.20 | 800605 | VS2 | V |
| 2.48 | 2.68 | 65 | 0.21 | 0.35 | 0.28 | 0.040 | 0.20 | 800650 | VS1 | S |
| 2.48 | 2.68 | 65 | 0.21 | 0.35 | 0.28 | 0.040 | 0.20 | 800654 | VS1 | V |
| 2.48 | 2.68 | 65 | 0.37 | 0.51 | 0.43 | 0.040 | 0.20 | 800651 | VS2 | S |
| 2.48 | 2.68 | 65 | 0.37 | 0.51 | 0.43 | 0.040 | 0.20 | 800655 | VS2 | V |
| 2.68 | 2.88 | 70 | 0.26 | 0.43 | 0.35 | 0.050 | 0.24 | 800700 | VS1 | S |
| 2.68 | 2.88 | 70 | 0.26 | 0.43 | 0.35 | 0.050 | 0.24 | 800704 | VS1 | V |
| 2.68 | 2.88 | 70 | 0.44 | 0.61 | 0.53 | 0.050 | 0.24 | 800701 | VS2 | S |
| 2.68 | 2.88 | 70 | 0.44 | 0.61 | 0.53 | 0.050 | 0.24 | 800705 | VS2 | V |
| 2.88 | 3.07 | 75 | 0.26 | 0.43 | 0.35 | 0.050 | 0.24 | 800750 | VS1 | S |
| 2.88 | 3.07 | 75 | 0.26 | 0.43 | 0.35 | 0.050 | 0.24 | 800754 | VS1 | V |
| 2.88 | 3.07 | 75 | 0.44 | 0.61 | 0.53 | 0.050 | 0.24 | 800751 | VS2 | S |
| 2.88 | 3.07 | 75 | 0.44 | 0.61 | 0.53 | 0.050 | 0.24 | 800755 | VS2 | V |
| 3.07 | 3.27 | 80 | 0.26 | 0.43 | 0.35 | 0.050 | 0.24 | 800800 | VS1 | S |
| 3.07 | 3.27 | 80 | 0.26 | 0.43 | 0.35 | 0.050 | 0.24 | 800804 | VS1 | V |
| 3.07 | 3.27 | 80 | 0.44 | 0.61 | 0.53 | 0.050 | 0.24 | 800801 | VS2 | S |
| 3.07 | 3.27 | 80 | 0.44 | 0.61 | 0.53 | 0.050 | 0.24 | 800805 | VS2 | V |

* Select the larger V-Seal when the dimension d1 is on the boundary between two sizes of V-Seals

| Shaft Diameter Range* (d1) | Shaft/mm (d1) | Width Shaft (A) | Overall Width (B) | Fitted Width (B1) | Width Tolerance (+/-) | Height (C) | Part Number | Style | Matl | |
|----------------------------|---------------|-----------------|-------------------|-------------------|-----------------------|------------|-------------|---------------|------|---|
| 3.27 | 3.47 | 85 | 0.26 | 0.43 | 0.35 | 0.050 | 0.24 | 800850 | VS1 | S |
| 3.27 | 3.47 | 85 | 0.26 | 0.43 | 0.35 | 0.050 | 0.24 | 800854 | VS1 | V |
| 3.27 | 3.47 | 85 | 0.44 | 0.61 | 0.53 | 0.050 | 0.24 | 800851 | VS2 | S |
| 3.27 | 3.47 | 85 | 0.44 | 0.61 | 0.53 | 0.050 | 0.24 | 800855 | VS2 | V |
| 3.47 | 3.66 | 90 | 0.26 | 0.43 | 0.35 | 0.050 | 0.24 | 800900 | VS1 | S |
| 3.47 | 3.66 | 90 | 0.26 | 0.43 | 0.35 | 0.050 | 0.24 | 800904 | VS1 | V |
| 3.47 | 3.66 | 90 | 0.44 | 0.61 | 0.53 | 0.050 | 0.24 | 800901 | VS2 | S |
| 3.47 | 3.66 | 90 | 0.44 | 0.61 | 0.53 | 0.050 | 0.24 | 800905 | VS2 | V |
| 3.66 | 3.86 | 95 | 0.26 | 0.43 | 0.35 | 0.050 | 0.24 | 800950 | VS1 | S |
| 3.66 | 3.86 | 95 | 0.26 | 0.43 | 0.35 | 0.050 | 0.24 | 800954 | VS1 | V |
| 3.66 | 3.86 | 95 | 0.44 | 0.61 | 0.53 | 0.050 | 0.24 | 800951 | VS2 | S |
| 3.66 | 3.86 | 95 | 0.44 | 0.61 | 0.53 | 0.050 | 0.24 | 800955 | VS2 | V |
| 3.86 | 4.14 | 100 | 0.26 | 0.43 | 0.35 | 0.050 | 0.24 | 801000 | VS1 | S |
| 3.86 | 4.14 | 100 | 0.26 | 0.43 | 0.35 | 0.050 | 0.24 | 801004 | VS1 | V |
| 3.86 | 4.14 | 100 | 0.44 | 0.61 | 0.53 | 0.050 | 0.24 | 801001 | VS2 | S |
| 3.86 | 4.14 | 100 | 0.44 | 0.61 | 0.53 | 0.050 | 0.24 | 801005 | VS2 | V |
| 4.14 | 4.53 | 110 | 0.31 | 0.50 | 0.41 | 0.060 | 0.28 | 801100 | VS1 | S |
| 4.14 | 4.53 | 110 | 0.31 | 0.50 | 0.41 | 0.060 | 0.28 | 801104 | VS1 | V |
| 4.14 | 4.53 | 110 | 0.52 | 0.71 | 0.61 | 0.060 | 0.28 | 801101 | VS2 | S |
| 4.14 | 4.53 | 110 | 0.52 | 0.71 | 0.61 | 0.060 | 0.28 | 801105 | VS2 | V |
| 4.53 | 4.92 | 120 | 0.31 | 0.50 | 0.41 | 0.060 | 0.28 | 801200 | VS1 | S |
| 4.53 | 4.92 | 120 | 0.31 | 0.50 | 0.41 | 0.060 | 0.28 | 801204 | VS1 | V |
| 4.53 | 4.92 | 120 | 0.52 | 0.71 | 0.61 | 0.060 | 0.28 | 801201 | VS2 | S |
| 4.53 | 4.92 | 120 | 0.52 | 0.71 | 0.61 | 0.060 | 0.28 | 801205 | VS2 | V |
| 4.92 | 5.32 | 130 | 0.31 | 0.50 | 0.41 | 0.060 | 0.28 | 801300 | VS1 | S |
| 4.92 | 5.32 | 130 | 0.31 | 0.50 | 0.41 | 0.060 | 0.28 | 801304 | VS1 | V |
| 4.92 | 5.32 | 130 | 0.52 | 0.71 | 0.61 | 0.060 | 0.28 | 801301 | VS2 | S |
| 4.92 | 5.32 | 130 | 0.52 | 0.71 | 0.61 | 0.060 | 0.28 | 801305 | VS2 | V |
| 5.32 | 5.71 | 140 | 0.24 | 0.41 | 0.31 | 0.060 | 0.26 | 801402 | VS3 | S |
| 5.32 | 5.71 | 140 | 0.24 | 0.41 | 0.31 | 0.060 | 0.26 | 801406 | VS3 | V |
| 5.32 | 5.71 | 140 | 0.31 | 0.50 | 0.41 | 0.060 | 0.28 | 801400 | VS1 | S |
| 5.32 | 5.71 | 140 | 0.31 | 0.50 | 0.41 | 0.060 | 0.28 | 801404 | VS1 | V |
| 5.32 | 5.71 | 140 | 0.52 | 0.71 | 0.61 | 0.060 | 0.28 | 801401 | VS2 | S |
| 5.32 | 5.71 | 140 | 0.52 | 0.71 | 0.61 | 0.060 | 0.28 | 801405 | VS2 | V |
| 5.71 | 6.10 | 150 | 0.24 | 0.41 | 0.31 | 0.060 | 0.26 | 801502 | VS3 | S |
| 5.71 | 6.10 | 150 | 0.24 | 0.41 | 0.31 | 0.060 | 0.26 | 801506 | VS3 | V |
| 5.71 | 6.10 | 150 | 0.31 | 0.50 | 0.41 | 0.060 | 0.28 | 801500 | VS1 | S |
| 5.71 | 6.10 | 150 | 0.31 | 0.50 | 0.41 | 0.060 | 0.28 | 801504 | VS1 | V |
| 5.71 | 6.10 | 150 | 0.52 | 0.71 | 0.61 | 0.060 | 0.28 | 801501 | VS2 | S |
| 5.71 | 6.10 | 150 | 0.52 | 0.71 | 0.61 | 0.060 | 0.28 | 801505 | VS2 | V |
| 6.10 | 6.50 | 160 | 0.24 | 0.41 | 0.31 | 0.060 | 0.26 | 801602 | VS3 | S |
| 6.10 | 6.50 | 160 | 0.24 | 0.41 | 0.31 | 0.060 | 0.26 | 801606 | VS3 | V |
| 6.10 | 6.50 | 160 | 0.35 | 0.57 | 0.47 | 0.070 | 0.32 | 801600 | VS1 | S |
| 6.10 | 6.50 | 160 | 0.35 | 0.57 | 0.47 | 0.070 | 0.32 | 801604 | VS1 | V |
| 6.10 | 6.50 | 160 | 0.59 | 0.81 | 0.71 | 0.070 | 0.32 | 801601 | VS2 | S |
| 6.10 | 6.50 | 160 | 0.59 | 0.81 | 0.71 | 0.070 | 0.32 | 801605 | VS2 | V |
| 6.50 | 6.89 | 170 | 0.24 | 0.41 | 0.31 | 0.060 | 0.26 | 801702 | VS3 | S |
| 6.50 | 6.89 | 170 | 0.24 | 0.41 | 0.31 | 0.060 | 0.26 | 801706 | VS3 | V |
| 6.50 | 6.89 | 170 | 0.35 | 0.57 | 0.47 | 0.070 | 0.32 | 801700 | VS1 | S |
| 6.50 | 6.89 | 170 | 0.35 | 0.57 | 0.47 | 0.070 | 0.32 | 801704 | VS1 | V |

Styles VS1, VS3, & VS4

Style VS2

| Shaft Diameter Range* (d1) | | Shaft/mm (d1) | Width Shaft (A) | Overall Width (B) | Fitted Width (B1) | Width Tolerance (+/-) | Height (C) | Part Number | Style | Matl |
|----------------------------|-------|---------------|-----------------|-------------------|-------------------|-----------------------|------------|---------------|-------|------|
| 6.50 | 6.89 | 170 | 0.59 | 0.81 | 0.71 | 0.070 | 0.32 | 801701 | VS2 | S |
| 6.50 | 6.89 | 170 | 0.59 | 0.81 | 0.71 | 0.070 | 0.32 | 801705 | VS2 | V |
| 6.89 | 7.29 | 180 | 0.24 | 0.41 | 0.31 | 0.060 | 0.26 | 801802 | VS3 | S |
| 6.89 | 7.29 | 180 | 0.24 | 0.41 | 0.31 | 0.060 | 0.26 | 801806 | VS3 | V |
| 6.89 | 7.29 | 180 | 0.35 | 0.57 | 0.47 | 0.070 | 0.32 | 801800 | VS1 | S |
| 6.89 | 7.29 | 180 | 0.35 | 0.57 | 0.47 | 0.070 | 0.32 | 801804 | VS1 | V |
| 6.89 | 7.29 | 180 | 0.59 | 0.81 | 0.71 | 0.070 | 0.32 | 801801 | VS2 | S |
| 6.89 | 7.29 | 180 | 0.59 | 0.81 | 0.71 | 0.070 | 0.32 | 801805 | VS2 | V |
| 7.29 | 7.68 | 190 | 0.24 | 0.41 | 0.31 | 0.060 | 0.26 | 801902 | VS3 | S |
| 7.29 | 7.68 | 190 | 0.24 | 0.41 | 0.31 | 0.060 | 0.26 | 801906 | VS3 | V |
| 7.29 | 7.68 | 190 | 0.35 | 0.57 | 0.47 | 0.070 | 0.32 | 801900 | VS1 | S |
| 7.29 | 7.68 | 190 | 0.35 | 0.57 | 0.47 | 0.070 | 0.32 | 801904 | VS1 | V |
| 7.29 | 7.68 | 190 | 0.59 | 0.81 | 0.71 | 0.070 | 0.32 | 801901 | VS2 | S |
| 7.29 | 7.68 | 190 | 0.59 | 0.81 | 0.71 | 0.070 | 0.32 | 801905 | VS2 | V |
| 7.48 | 8.27 | 200 | 0.24 | 0.41 | 0.31 | 0.060 | 0.26 | 802002 | VS3 | S |
| 7.48 | 8.27 | 200 | 0.24 | 0.41 | 0.31 | 0.060 | 0.26 | 802006 | VS3 | V |
| 7.48 | 8.27 | 200 | 0.56 | 0.98 | 0.79 | 0.160 | 0.59 | 802000 | VS1 | S |
| 7.48 | 8.27 | 200 | 0.56 | 0.98 | 0.79 | 0.160 | 0.59 | 802004 | VS1 | V |
| 7.68 | 8.27 | 199 | 0.35 | 0.57 | 0.47 | 0.070 | 0.32 | 801990 | VS1 | S |
| 7.68 | 8.27 | 199 | 0.35 | 0.57 | 0.47 | 0.070 | 0.32 | 801994 | VS1 | V |
| 7.68 | 8.27 | 199 | 0.59 | 0.81 | 0.71 | 0.070 | 0.32 | 801991 | VS2 | S |
| 7.68 | 8.27 | 199 | 0.59 | 0.81 | 0.71 | 0.070 | 0.32 | 801995 | VS2 | V |
| 8.27 | 9.25 | 220 | 0.24 | 0.41 | 0.31 | 0.060 | 0.26 | 802202 | VS3 | S |
| 8.27 | 9.25 | 220 | 0.24 | 0.41 | 0.31 | 0.060 | 0.26 | 802206 | VS3 | V |
| 8.27 | 9.25 | 220 | 0.56 | 0.98 | 0.79 | 0.160 | 0.59 | 802200 | VS1 | S |
| 8.27 | 9.25 | 220 | 0.56 | 0.98 | 0.79 | 0.160 | 0.59 | 802204 | VS1 | V |
| 9.25 | 10.43 | 250 | 0.24 | 0.41 | 0.31 | 0.060 | 0.26 | 802502 | VS3 | S |
| 9.25 | 10.43 | 250 | 0.24 | 0.41 | 0.31 | 0.060 | 0.26 | 802506 | VS3 | V |
| 9.25 | 10.43 | 250 | 0.56 | 0.98 | 0.79 | 0.160 | 0.59 | 802500 | VS1 | S |
| 9.25 | 10.43 | 250 | 0.56 | 0.98 | 0.79 | 0.160 | 0.59 | 802504 | VS1 | V |

* Select the larger V-Seal when the dimension d1 is on the boundary between two sizes of V-Seals

| Shaft Diameter Range* (d1) | Shaft/mm (d1) | Width Shaft (A) | Overall Width (B) | Fitted Width (B1) | Width Tolerance (+/-) | Height (C) | Part Number | Style | Matl | |
|----------------------------|---------------|-----------------|-------------------|-------------------|-----------------------|------------|-------------|---------------|------|---|
| 10.43 | 11.42 | 275 | 0.24 | 0.41 | 0.31 | 0.060 | 0.26 | 802752 | VS3 | S |
| 10.43 | 11.42 | 275 | 0.24 | 0.41 | 0.31 | 0.060 | 0.26 | 802756 | VS3 | V |
| 10.43 | 11.42 | 275 | 0.56 | 0.98 | 0.79 | 0.160 | 0.59 | 802750 | VS1 | S |
| 10.43 | 11.42 | 275 | 0.56 | 0.98 | 0.79 | 0.160 | 0.59 | 802754 | VS1 | V |
| 11.42 | 12.20 | 300 | 0.22 | 0.41 | 0.31 | 0.060 | 0.26 | 803002 | VS3 | S |
| 11.42 | 12.20 | 300 | 0.24 | 0.41 | 0.31 | 0.060 | 0.26 | 803006 | VS3 | V |
| 11.42 | 12.20 | 300 | 0.56 | 0.98 | 0.79 | 0.160 | 0.59 | 803000 | VS1 | S |
| 11.42 | 12.20 | 300 | 0.56 | 0.98 | 0.79 | 0.160 | 0.59 | 803004 | VS1 | V |
| 12.20 | 13.19 | 325 | 0.24 | 0.41 | 0.31 | 0.060 | 0.26 | 803252 | VS3 | S |
| 12.20 | 13.19 | 325 | 0.24 | 0.41 | 0.31 | 0.060 | 0.26 | 803256 | VS3 | V |
| 12.20 | 13.19 | 325 | 0.56 | 0.98 | 0.79 | 0.160 | 0.59 | 803250 | VS1 | S |
| 12.20 | 13.19 | 325 | 0.56 | 0.98 | 0.79 | 0.160 | 0.59 | 803254 | VS1 | V |
| 13.19 | 14.37 | 350 | 0.24 | 0.41 | 0.31 | 0.060 | 0.26 | 803502 | VS3 | S |
| 13.19 | 14.37 | 350 | 0.24 | 0.41 | 0.31 | 0.060 | 0.26 | 803506 | VS3 | V |
| 13.19 | 14.37 | 350 | 0.56 | 0.98 | 0.79 | 0.160 | 0.59 | 803500 | VS1 | S |
| 13.19 | 14.37 | 350 | 0.56 | 0.98 | 0.79 | 0.160 | 0.59 | 803504 | VS1 | V |
| 14.37 | 15.35 | 375 | 0.24 | 0.41 | 0.31 | 0.060 | 0.26 | 803752 | VS3 | S |
| 14.37 | 15.35 | 375 | 0.24 | 0.41 | 0.31 | 0.060 | 0.26 | 803756 | VS3 | V |
| 14.37 | 15.35 | 375 | 0.56 | 0.98 | 0.79 | 0.160 | 0.59 | 803750 | VS1 | S |
| 14.37 | 15.35 | 375 | 0.56 | 0.98 | 0.79 | 0.160 | 0.59 | 803754 | VS1 | V |
| 15.35 | 16.93 | 400 | 0.24 | 0.41 | 0.31 | 0.060 | 0.26 | 804002 | VS3 | S |
| 15.35 | 16.93 | 400 | 0.24 | 0.41 | 0.31 | 0.060 | 0.26 | 804006 | VS3 | V |
| 15.35 | 16.93 | 400 | 0.56 | 0.98 | 0.79 | 0.160 | 0.59 | 804000 | VS1 | S |
| 15.35 | 16.93 | 400 | 0.56 | 0.98 | 0.79 | 0.160 | 0.59 | 804004 | VS1 | V |
| 16.93 | 18.90 | 450 | 0.24 | 0.41 | 0.31 | 0.060 | 0.26 | 804502 | VS3 | S |
| 16.93 | 18.90 | 450 | 0.24 | 0.41 | 0.31 | 0.060 | 0.26 | 804506 | VS3 | V |
| 16.93 | 18.90 | 450 | 0.56 | 0.98 | 0.79 | 0.160 | 0.59 | 804500 | VS1 | S |
| 16.93 | 18.90 | 450 | 0.56 | 0.98 | 0.79 | 0.160 | 0.59 | 804504 | VS1 | V |
| 17.72 | 17.91 | 450 | 0.56 | 0.98 | 0.79 | 0.160 | 0.59 | 804503 | VS4 | S |
| 18.90 | 20.87 | 500 | 0.24 | 0.41 | 0.31 | 0.060 | 0.26 | 805002 | VS3 | S |
| 18.90 | 20.87 | 500 | 0.56 | 0.98 | 0.79 | 0.160 | 0.59 | 805000 | VS1 | S |
| 18.90 | 20.87 | 500 | 0.56 | 0.98 | 0.79 | 0.160 | 0.59 | 805004 | VS1 | V |
| 19.69 | 19.88 | 500 | 0.56 | 0.98 | 0.79 | 0.160 | 0.59 | 805003 | VS4 | S |
| 20.08 | 20.28 | 510 | 0.56 | 0.98 | 0.79 | 0.160 | 0.59 | 805103 | VS4 | S |
| 20.47 | 20.67 | 520 | 0.56 | 0.98 | 0.79 | 0.160 | 0.59 | 805203 | VS4 | S |
| 20.87 | 22.83 | 550 | 0.24 | 0.41 | 0.31 | 0.060 | 0.26 | 805502 | VS3 | S |
| 20.87 | 21.06 | 530 | 0.56 | 0.98 | 0.79 | 0.160 | 0.59 | 805303 | VS4 | S |
| 20.87 | 22.86 | 550 | 0.56 | 0.98 | 0.79 | 0.160 | 0.59 | 805500 | VS1 | S |
| 20.87 | 22.83 | 550 | 0.56 | 0.98 | 0.79 | 0.160 | 0.59 | 805504 | VS1 | V |
| 21.26 | 21.46 | 540 | 0.56 | 0.98 | 0.79 | 0.160 | 0.59 | 805403 | VS4 | S |
| 21.65 | 21.85 | 550 | 0.56 | 0.98 | 0.79 | 0.160 | 0.59 | 805503 | VS4 | S |
| 22.05 | 22.24 | 560 | 0.56 | 0.98 | 0.79 | 0.160 | 0.59 | 805603 | VS4 | S |
| 22.44 | 22.64 | 570 | 0.56 | 0.98 | 0.79 | 0.160 | 0.59 | 805703 | VS4 | S |
| 22.83 | 24.80 | 600 | 0.24 | 0.41 | 0.31 | 0.060 | 0.26 | 806002 | VS3 | S |
| 22.83 | 24.80 | 600 | 0.56 | 0.98 | 0.79 | 0.160 | 0.59 | 806000 | VS1 | S |
| 22.83 | 24.80 | 600 | 0.56 | 0.98 | 0.79 | 0.160 | 0.59 | 806004 | VS1 | V |
| 22.84 | 23.03 | 580 | 0.56 | 0.98 | 0.79 | 0.160 | 0.59 | 805803 | VS4 | S |
| 23.23 | 23.62 | 590 | 0.56 | 0.98 | 0.79 | 0.160 | 0.59 | 805903 | VS4 | S |
| 23.62 | 24.02 | 600 | 0.56 | 0.98 | 0.79 | 0.160 | 0.59 | 806003 | VS4 | S |
| 24.02 | 24.41 | 610 | 0.56 | 0.98 | 0.79 | 0.160 | 0.59 | 806103 | VS4 | S |

Styles VS1, VS3, & VS4

Style VS2

| Shaft Diameter Range* (d1) | | Shaft/mm (d1) | Width Shaft (A) | Overall Width (B) | Fitted Width (B1) | Width Tolerance (+/-) | Height (C) | Part Number | Style | Matl |
|----------------------------|-------|---------------|-----------------|-------------------|-------------------|-----------------------|------------|---------------|-------|------|
| 24.41 | 24.80 | 620 | 0.56 | 0.98 | 0.79 | 0.160 | 0.59 | 806203 | VS4 | S |
| 24.80 | 25.20 | 630 | 0.56 | 0.98 | 0.79 | 0.160 | 0.59 | 806303 | VS4 | S |
| 24.80 | 26.18 | 650 | 0.56 | 0.98 | 0.79 | 0.160 | 0.59 | 806500 | VS1 | S |
| 25.20 | 25.59 | 640 | 0.56 | 0.98 | 0.79 | 0.160 | 0.59 | 806403 | VS4 | S |
| 25.59 | 25.98 | 650 | 0.56 | 0.98 | 0.79 | 0.160 | 0.59 | 806503 | VS4 | S |
| 26.18 | 27.76 | 700 | 0.56 | 0.98 | 0.79 | 0.160 | 0.59 | 807000 | VS1 | S |
| 27.10 | 27.50 | 690 | 0.56 | 0.98 | 0.79 | 0.160 | 0.59 | 806903 | VS4 | S |
| 27.56 | 27.95 | 700 | 0.56 | 0.98 | 0.79 | 0.160 | 0.59 | 807003 | VS4 | S |
| 27.76 | 29.33 | 725 | 0.56 | 0.98 | 0.79 | 0.160 | 0.59 | 807250 | VS1 | S |
| 29.33 | 30.91 | 750 | 0.56 | 0.98 | 0.79 | 0.160 | 0.59 | 807500 | VS1 | S |
| 29.53 | 29.84 | 750 | 0.56 | 0.98 | 0.79 | 0.160 | 0.59 | 807503 | VS4 | S |
| 30.40 | 30.80 | 780 | 0.56 | 0.98 | 0.79 | 0.160 | 0.59 | 807803 | VS4 | S |
| 30.91 | 32.68 | 800 | 0.56 | 0.98 | 0.79 | 0.160 | 0.59 | 808000 | VS1 | S |
| 31.18 | 31.54 | 800 | 0.56 | 0.98 | 0.79 | 0.160 | 0.59 | 808003 | VS4 | S |
| 31.50 | 33.26 | 820 | 0.56 | 0.98 | 0.79 | 0.160 | 0.59 | 808203 | VS4 | S |
| 32.68 | 34.45 | 850 | 0.56 | 0.98 | 0.79 | 0.160 | 0.59 | 808500 | VS1 | S |
| 33.11 | 33.50 | 850 | 0.56 | 0.98 | 0.79 | 0.160 | 0.59 | 808503 | VS4 | S |
| 34.45 | 36.22 | 900 | 0.56 | 0.98 | 0.79 | 0.160 | 0.59 | 809000 | VS1 | S |
| 35.12 | 35.91 | 900 | 0.56 | 0.98 | 0.79 | 0.160 | 0.59 | 809003 | VS4 | S |
| 36.22 | 37.99 | 950 | 0.56 | 0.98 | 0.79 | 0.160 | 0.59 | 809500 | VS1 | S |
| 37.17 | 37.60 | 950 | 0.56 | 0.98 | 0.79 | 0.160 | 0.59 | 809503 | VS4 | S |
| 37.99 | 39.96 | 1000 | 0.56 | 0.98 | 0.79 | 0.160 | 0.59 | 810000 | VS1 | S |
| 39.33 | 39.79 | 1000 | 0.56 | 0.98 | 0.79 | 0.160 | 0.59 | 810003 | VS4 | S |
| 39.96 | 41.93 | 1050 | 0.56 | 0.98 | 0.79 | 0.160 | 0.59 | 810500 | VS1 | S |
| 41.10 | 41.90 | 1060 | 0.56 | 0.98 | 0.79 | 0.160 | 0.59 | 810603 | VS4 | S |
| 41.93 | 43.90 | 1100 | 0.56 | 0.98 | 0.79 | 0.160 | 0.59 | 811000 | VS1 | S |
| 42.72 | 43.50 | 1100 | 0.56 | 0.98 | 0.79 | 0.160 | 0.59 | 811003 | VS4 | S |
| 43.90 | 45.87 | 1150 | 0.56 | 0.98 | 0.79 | 0.160 | 0.59 | 811500 | VS1 | S |
| 45.87 | 47.84 | 1200 | 0.56 | 0.98 | 0.79 | 0.160 | 0.59 | 812000 | VS1 | S |
| 46.65 | 47.44 | 1200 | 0.56 | 0.98 | 0.79 | 0.160 | 0.59 | 812003 | VS4 | S |

* Select the larger V-Seal when the dimension d1 is on the boundary between two sizes of V-Seals

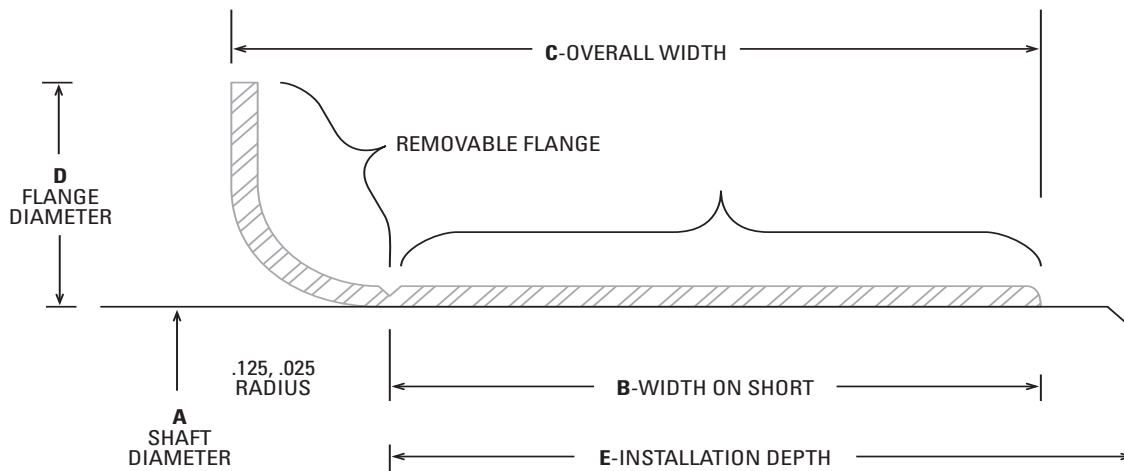
| Shaft Diameter Range* (d1) | | Shaft/mm (d1) | Width Shaft (A) | Overall Width (B) | Fitted Width (B1) | Width Tolerance (+/-) | Height (C) | Part Number | Style | Matl |
|----------------------------|-------|---------------|-----------------|-------------------|-------------------|-----------------------|------------|---------------|-------|------|
| 47.84 | 50.00 | 1250 | 0.56 | 0.98 | 0.79 | 0.160 | 0.59 | 812500 | VS1 | S |
| 50.00 | 51.97 | 1300 | 0.56 | 0.98 | 0.79 | 0.160 | 0.59 | 813000 | VS1 | S |
| 50.98 | 51.77 | 1300 | 0.56 | 0.98 | 0.79 | 0.160 | 0.59 | 813003 | VS4 | S |
| 51.97 | 53.94 | 1300 | 0.56 | 0.98 | 0.79 | 0.160 | 0.59 | 813500 | VS1 | S |
| 52.76 | 53.74 | 1350 | 0.56 | 0.98 | 0.79 | 0.160 | 0.59 | 813503 | VS4 | S |
| 53.94 | 55.91 | 1400 | 0.56 | 0.98 | 0.79 | 0.160 | 0.59 | 814000 | VS1 | S |
| 54.72 | 55.71 | 1400 | 0.56 | 0.98 | 0.79 | 0.160 | 0.59 | 814003 | VS4 | S |
| 55.91 | 57.87 | 1450 | 0.56 | 0.98 | 0.79 | 0.160 | 0.59 | 814500 | VS1 | S |
| 56.69 | 57.68 | 1450 | 0.56 | 0.98 | 0.79 | 0.160 | 0.59 | 814503 | VS4 | S |
| 57.87 | 59.84 | 1500 | 0.56 | 0.98 | 0.79 | 0.160 | 0.59 | 815000 | VS1 | S |
| 58.66 | 59.65 | 1500 | 0.56 | 0.98 | 0.79 | 0.160 | 0.59 | 815003 | VS4 | S |
| 59.84 | 61.81 | 1550 | 0.56 | 0.98 | 0.79 | 0.160 | 0.59 | 815500 | VS1 | S |
| 60.63 | 61.81 | 1550 | 0.56 | 0.98 | 0.79 | 0.160 | 0.59 | 815503 | VS4 | S |
| 61.81 | 63.78 | 1600 | 0.56 | 0.98 | 0.79 | 0.160 | 0.59 | 816000 | VS1 | S |
| 62.99 | 64.57 | 1600 | 0.56 | 0.98 | 0.79 | 0.160 | 0.59 | 816003 | VS4 | S |
| 63.78 | 65.75 | 1650 | 0.56 | 0.98 | 0.79 | 0.160 | 0.59 | 816500 | VS1 | S |
| 64.57 | 66.14 | 1650 | 0.56 | 0.98 | 0.79 | 0.160 | 0.59 | 816503 | VS4 | S |
| 65.75 | 67.72 | 1700 | 0.56 | 0.98 | 0.79 | 0.160 | 0.59 | 817000 | VS1 | S |
| 66.15 | 67.72 | 1700 | 0.56 | 0.98 | 0.79 | 0.160 | 0.59 | 817003 | VS4 | S |
| 67.72 | 69.69 | 1750 | 0.56 | 0.98 | 0.79 | 0.160 | 0.59 | 817500 | VS1 | S |
| 67.72 | 69.49 | 1750 | 0.56 | 0.98 | 0.79 | 0.160 | 0.59 | 817503 | VS4 | S |
| 69.46 | 71.26 | 1800 | 0.56 | 0.98 | 0.79 | 0.160 | 0.59 | 818003 | VS4 | S |
| 69.69 | 71.65 | 1800 | 0.56 | 0.98 | 0.79 | 0.160 | 0.59 | 818000 | VS1 | S |
| 71.26 | 73.03 | 1850 | 0.56 | 0.98 | 0.79 | 0.160 | 0.59 | 818503 | VS4 | S |
| 71.65 | 73.62 | 1850 | 0.56 | 0.98 | 0.79 | 0.160 | 0.59 | 818500 | VS1 | S |
| 73.03 | 75.00 | 1900 | 0.56 | 0.98 | 0.79 | 0.160 | 0.59 | 819003 | VS4 | S |
| 73.62 | 75.59 | 1900 | 0.56 | 0.98 | 0.79 | 0.160 | 0.59 | 819000 | VS1 | S |
| 75.00 | 76.97 | 1950 | 0.56 | 0.98 | 0.79 | 0.160 | 0.59 | 819503 | VS4 | S |
| 75.59 | 77.56 | 1950 | 0.56 | 0.98 | 0.79 | 0.160 | 0.59 | 819500 | VS1 | S |
| 76.90 | 79.10 | 2000 | 0.56 | 0.98 | 0.79 | 0.160 | 0.59 | 820003 | VS4 | S |
| 77.56 | 79.53 | 1999 | 0.56 | 0.98 | 0.79 | 0.160 | 0.59 | 819990 | VS1 | S |

| Shaft | Bore | O.D. | Width | Part Number | Type | Matl |
|-------|-------|-------|-------|------------------|----------|------|
| 2.250 | 3.372 | 3.377 | 0.475 | 370219A | Unitized | S |
| 2.359 | 3.938 | 3.952 | 0.575 | 370199A | Unitized | V |
| 2.740 | 3.937 | 3.942 | 0.565 | * 370155A | Unitized | S |
| 2.750 | 3.779 | 3.792 | 0.767 | 370352A | Unitized | S |
| 2.752 | 3.937 | 3.942 | 0.565 | * 370127A | Unitized | S |
| <hr/> | | | | | | |
| 2.875 | 3.875 | 3.889 | 0.500 | 370150A | Unitized | S |
| 2.875 | 4.125 | 4.130 | 0.842 | 370010A | Unitized | S |
| 2.875 | 4.175 | 4.181 | 0.822 | 370054A | Unitized | S |
| 2.938 | 3.750 | 3.765 | 0.530 | * 370223A | Unitized | S |
| 2.948 | 4.725 | 4.738 | 0.526 | 370211A | Unitized | S |
| <hr/> | | | | | | |
| 3.125 | 4.174 | 4.188 | 0.500 | 370145A | Unitized | S |
| 3.125 | 4.500 | 4.506 | 0.605 | 370014A | Unitized | S |
| 3.125 | 4.625 | 4.631 | 0.605 | 370046A | Unitized | S |
| 3.187 | 5.000 | 5.006 | 0.765 | 370029A | Unitized | S |
| 3.250 | 4.500 | 4.506 | 0.605 | 370018A | Unitized | S |
| <hr/> | | | | | | |
| 3.312 | 4.501 | 4.506 | 0.605 | 370191A | Unitized | S |
| 3.312 | 5.000 | 5.006 | 0.937 | 370013A | Unitized | S |
| 3.437 | 4.755 | 4.761 | 0.605 | 370047A | Unitized | S |
| 3.500 | 4.450 | 4.456 | 0.843 | 370179A | Unitized | S |
| 3.500 | 4.543 | 4.558 | 0.788 | 370132A | Unitized | S |
| <hr/> | | | | | | |
| 3.500 | 4.751 | 4.757 | 0.605 | 370169A | Unitized | S |
| 3.500 | 4.842 | 4.847 | 0.910 | * 380001A | Unitized | T |
| 3.500 | 4.842 | 4.848 | 0.925 | 370001A | Unitized | S |
| 3.500 | 5.000 | 5.006 | 1.000 | 370002A | Unitized | S |
| 3.539 | 5.277 | 5.291 | 0.604 | 370212A | Unitized | V |
| <hr/> | | | | | | |
| 3.625 | 4.810 | 4.823 | 0.921 | 370012A | Unitized | S |
| 3.625 | 5.000 | 5.014 | 0.875 | 370011A | Unitized | S |
| 3.875 | 5.126 | 5.132 | 0.605 | 370033A | Unitized | S |
| 3.875 | 5.376 | 5.381 | 0.985 | 370165A | Unitized | S |
| 3.875 | 5.501 | 5.515 | 0.875 | 370024A | Unitized | S |
| <hr/> | | | | | | |
| 3.875 | 5.690 | 5.706 | 0.770 | * 380023A | Unitized | T |
| 3.875 | 5.690 | 5.706 | 0.875 | 370023A | Unitized | S |
| 3.937 | 5.372 | 5.378 | 1.015 | 370008A | Unitized | S |
| 3.937 | 5.501 | 5.507 | 0.937 | 370009A | Unitized | S |
| 4.000 | 5.248 | 5.254 | 0.605 | * 370087A | Unitized | S |
| <hr/> | | | | | | |
| 4.000 | 5.375 | 5.381 | 1.000 | 370015A | Unitized | S |
| 4.000 | 5.626 | 5.632 | 0.605 | 370066A | Unitized | S |
| 4.000 | 5.757 | 5.798 | 0.600 | 370349A | Unitized | S |
| 4.000 | 5.757 | 5.772 | 0.930 | 370036A | Unitized | S |
| 4.000 | 5.757 | 5.772 | 0.930 | * 380036A | Unitized | T |
| <hr/> | | | | | | |
| 4.040 | 5.122 | 5.130 | 0.945 | 370198A | Unitized | S |
| 4.125 | 5.375 | 5.381 | 0.605 | 370094A | Unitized | S |
| 4.166 | 5.500 | 5.506 | 0.605 | 370106A | Unitized | S |
| 4.250 | 6.000 | 6.008 | 1.000 | * 380065A | Unitized | T |
| 4.250 | 6.008 | 6.022 | 1.000 | 370065A | Unitized | S |
| <hr/> | | | | | | |
| 4.250 | 6.035 | 6.047 | 0.915 | 370107A | Unitized | S |
| 4.250 | 6.250 | 6.256 | 1.188 | 370031A | Unitized | S |
| 4.250 | 6.250 | 6.256 | 1.188 | * 380031A | Unitized | T |
| 4.265 | 6.064 | 6.071 | 0.605 | 370030A | Unitized | S |
| 4.375 | 5.757 | 5.798 | 0.600 | 370338A | Unitized | S |

* Check for Availability

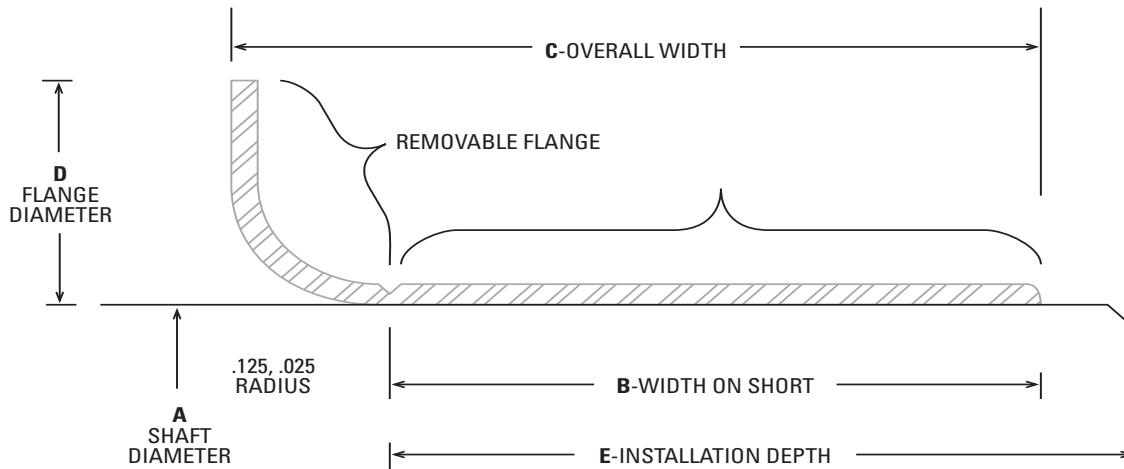
| Shaft | Bore | O.D. | Width | Part Number | Type | Matl |
|-------|-------|-------|-------|-------------|----------|------|
| 4.375 | 5.757 | 5.763 | 1.000 | 370037A | Unitized | S |
| 4.375 | 5.905 | 5.911 | 1.000 | 370048A | Unitized | S |
| 4.375 | 5.905 | 5.910 | 1.000 | 370182A | Unitized | S |
| 4.375 | 5.905 | 5.918 | 1.015 | *380048A | Unitized | T |
| 4.375 | 6.251 | 6.256 | 0.605 | 370019A | Unitized | S |
| 4.375 | 6.311 | 6.317 | 1.090 | 370034A | Unitized | S |
| 4.500 | 5.375 | 5.391 | 0.984 | 370124A | Unitized | S |
| 4.500 | 5.500 | 5.515 | 0.675 | 370178A | Unitized | S |
| 4.500 | 5.750 | 5.756 | 0.960 | 370022A | Unitized | S |
| 4.500 | 5.750 | 5.756 | 0.960 | *380022A | Unitized | T |
| 4.500 | 5.876 | 5.892 | 0.984 | 370131A | Unitized | S |
| 4.500 | 5.876 | 5.892 | 0.984 | *380131A | Unitized | T |
| 4.500 | 6.000 | 6.007 | 0.984 | 370020A | Unitized | S |
| 4.500 | 6.251 | 6.265 | 0.610 | 370021A | Unitized | S |
| 4.500 | 6.310 | 6.316 | 1.175 | 370086A | Unitized | S |
| 4.500 | 6.441 | 6.447 | 0.937 | 370192A | Unitized | S |
| 4.500 | 6.622 | 6.629 | 1.093 | 370078A | Unitized | S |
| 4.625 | 5.999 | 6.008 | 0.840 | 370025A | Unitized | S |
| 4.625 | 5.999 | 6.006 | 0.890 | 370216A | Unitized | S |
| 4.625 | 5.999 | 6.005 | 0.937 | *380025A | Unitized | T |
| 4.625 | 6.622 | 6.629 | 1.093 | 370051A | Unitized | S |
| 4.635 | 6.007 | 6.014 | 0.937 | 370026A | Unitized | S |
| 4.724 | 5.906 | 5.912 | 0.590 | 370220A | Unitized | S |
| 4.765 | 5.999 | 6.006 | 1.031 | 370181A | Unitized | S |
| 4.765 | 6.250 | 6.257 | 1.050 | 370173A | Unitized | S |
| 4.765 | 6.251 | 6.265 | 0.605 | 370005A | Unitized | S |
| 4.765 | 6.311 | 6.318 | 1.078 | 370003A | Unitized | S |
| 4.765 | 6.311 | 6.318 | 1.132 | *380003A | Unitized | T |
| 4.765 | 6.999 | 7.006 | 1.250 | 370006A | Unitized | S |
| 4.768 | 6.999 | 7.039 | 0.735 | *370224A | Unitized | S |
| 4.812 | 6.311 | 6.316 | 1.062 | 370027A | Unitized | S |
| 4.812 | 6.500 | 6.507 | 0.865 | 370004A | Unitized | S |
| 4.875 | 6.001 | 6.015 | 0.625 | 370195A | Unitized | S |
| 4.875 | 6.373 | 6.379 | 0.921 | 370007A | Unitized | S |
| 4.875 | 6.437 | 6.444 | 0.921 | 370057A | Unitized | S |
| 4.875 | 6.500 | 6.506 | 1.000 | 370121A | Unitized | S |
| 4.875 | 6.622 | 6.629 | 1.000 | 370109A | Unitized | S |
| 5.000 | 6.250 | 6.256 | 0.605 | 370063A | Unitized | S |
| 5.000 | 6.250 | 6.256 | 1.375 | 370028A | Unitized | S |
| 5.000 | 6.622 | 6.629 | 1.093 | 370166A | Unitized | S |
| 5.000 | 7.000 | 7.006 | 1.000 | *370154A | Unitized | S |
| 5.000 | 7.000 | 7.015 | 1.130 | 370215A | Unitized | V |
| 5.000 | 7.437 | 7.444 | 0.605 | 370038A | Unitized | S |
| 5.250 | 7.375 | 7.386 | 1.000 | 370069A | Unitized | S |
| 5.500 | 7.125 | 7.132 | 1.187 | 370043A | Unitized | S |
| 5.500 | 7.250 | 7.256 | 1.187 | 370120A | Unitized | S |
| 5.500 | 7.437 | 7.444 | 1.000 | 370039A | Unitized | S |
| 5.625 | 7.186 | 7.194 | 0.906 | 370064A | Unitized | S |
| 5.640 | 7.501 | 7.507 | 0.605 | 370119A | Unitized | S |
| 6.000 | 7.875 | 7.881 | 0.605 | *370077A | Unitized | S |

| Shaft | Bore | O.D. | Width | Part Number | Type | Matl |
|-------|--------|--------|-------|-------------|----------|------|
| 6.625 | 8.007 | 8.014 | 0.605 | *370149A | Unitized | S |
| 7.250 | 8.750 | 8.758 | 0.605 | 370175A | Unitized | S |
| 7.375 | 9.054 | 9.063 | 1.062 | *370082A | Unitized | S |
| 7.875 | 10.234 | 10.242 | 0.605 | *370151A | Unitized | S |



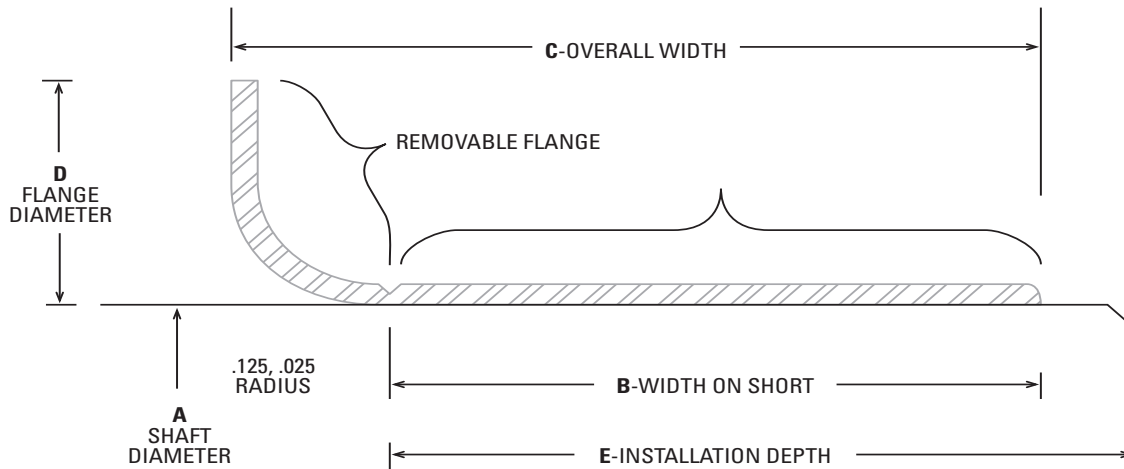
| Shaft Diameter Range (A) | Width on Shaft (B) | Overall Width (C) | Flange Diameter (D) | Installation Depth (E) | Part Number |
|--------------------------|--------------------|-------------------|---------------------|------------------------|-------------|
| 0.469 | 0.475 | 0.236 | 0.331 | 0.472 | KWK99049 |
| 0.498 | 0.502 | 0.250 | 0.344 | 2.008 | KWK99050 |
| 0.560 | 0.566 | 0.250 | 0.391 | 1.831 | KWK99056 |
| 0.589 | 0.593 | 0.197 | 0.354 | 0.425 | KWK99059 |
| 0.623 | 0.627 | 0.313 | 0.406 | 2.000 | KWK99062 |
| | | | | | |
| 0.626 | 0.630 | 0.313 | 0.438 | 2.000 | KWK99058 |
| 0.667 | 0.671 | 0.315 | 0.433 | 2.008 | KWK99068 |
| 0.682 | 0.686 | 0.313 | 0.438 | 2.000 | KWK99060 |
| 0.704 | 0.709 | 0.315 | 0.433 | 1.811 | KWK99082 |
| 0.748 | 0.752 | 0.313 | 0.438 | 2.000 | KWK99076 |
| | | | | | |
| 0.748 | 0.752 | 0.375 | 0.500 | 2.000 | KWK99075 |
| 0.759 | 0.761 | 0.313 | 0.438 | 2.000 | KWK99081 |
| 0.780 | 0.784 | 0.313 | 0.438 | 2.000 | KWK99080 |
| 0.785 | 0.789 | 0.313 | 0.433 | 2.000 | KWK99078 |
| 0.857 | 0.861 | 0.250 | 0.375 | 2.000 | KWK99086 |
| | | | | | |
| 0.861 | 0.866 | 0.315 | 0.472 | 1.813 | KWK99085 |
| 0.873 | 0.877 | 0.313 | 0.438 | 2.000 | KWK99087 |
| 0.908 | 0.912 | 0.313 | 0.438 | 1.847 | KWK99091 |
| 0.966 | 0.970 | 0.313 | 0.438 | 2.000 | KWK99094 |
| 0.966 | 0.970 | 0.625 | 0.719 | 2.000 | KWK99096 |
| | | | | | |
| 0.982 | 0.986 | 0.313 | 0.433 | 2.000 | KWK99098 |
| 0.998 | 1.002 | 0.313 | 0.438 | 2.000 | KWK99101 |
| 1.019 | 1.024 | 0.313 | 0.472 | 1.813 | KWK99103 |
| 1.060 | 1.064 | 0.313 | 0.438 | 2.812 | KWK99106 |
| 1.087 | 1.091 | 0.313 | 0.438 | 0.625 | KWK99108 |
| | | | | | |
| 1.100 | 1.104 | 0.375 | 0.500 | 2.813 | KWK99111 |
| 1.123 | 1.127 | 0.313 | 0.438 | 0.688 | KWK99112 |
| 1.154 | 1.158 | 0.375 | 0.500 | 0.688 | KWK99120 |
| 1.173 | 1.178 | 0.313 | 0.438 | 0.688 | KWK99122 |
| 1.179 | 1.184 | 0.315 | 0.433 | 0.688 | KWK99114 |

| Shaft Diameter Range (A) | | Width on Shaft (B) | Overall Width (C) | Flange Diameter (D) | Installation Depth (E) | Part Number |
|--------------------------|-------|--------------------|-------------------|---------------------|------------------------|-------------|
| 1.185 | 1.190 | 0.313 | 0.438 | 1.400 | 0.875 | KWK99118 |
| 1.216 | 1.222 | 0.315 | 0.438 | 1.575 | 0.688 | KWK99123 |
| 1.237 | 1.243 | 0.315 | 0.438 | 1.540 | 0.688 | KWK99141 |
| 1.247 | 1.253 | 0.313 | 0.438 | 1.500 | 0.688 | KWK99125 |
| 1.257 | 1.263 | 0.315 | 0.437 | 1.496 | 0.709 | KWK99128 |
| <hr/> | | | | | | |
| 1.308 | 1.314 | 0.250 | 0.375 | 1.600 | 0.813 | KWK99129 |
| 1.310 | 1.316 | 0.500 | 0.625 | 1.594 | 0.813 | KWK99131 |
| 1.336 | 1.342 | 0.500 | 0.625 | 1.638 | 0.813 | KWK99134 |
| 1.371 | 1.377 | 0.313 | 0.438 | 1.638 | 0.813 | KWK99133 |
| 1.371 | 1.377 | 0.500 | 0.625 | 1.638 | 0.813 | KWK99138 |
| <hr/> | | | | | | |
| 1.375 | 1.381 | 0.512 | 0.630 | 1.638 | 0.812 | KWK99139 |
| 1.412 | 1.417 | 0.518 | 0.669 | 1.689 | 0.984 | KWK99146 |
| 1.432 | 1.438 | 0.563 | 0.688 | 1.781 | 1.000 | KWK99143 |
| 1.435 | 1.441 | 0.375 | 0.500 | 1.781 | 1.016 | KWK99144 |
| 1.453 | 1.460 | 0.375 | 0.500 | 1.781 | 0.812 | KWK99145 |
| <hr/> | | | | | | |
| 1.490 | 1.496 | 0.512 | 0.669 | 1.780 | 0.984 | KWK99147 |
| 1.497 | 1.503 | 0.375 | 0.500 | 1.781 | 1.016 | KWK99150 |
| 1.497 | 1.503 | 0.563 | 0.688 | 1.781 | 1.000 | KWK99149 |
| 1.520 | 1.526 | 0.438 | 0.563 | 1.859 | 1.016 | KWK99152 |
| 1.549 | 1.555 | 0.438 | 0.563 | 1.859 | 1.000 | KWK99155 |
| <hr/> | | | | | | |
| 1.559 | 1.565 | 0.563 | 0.688 | 1.859 | 1.000 | KWK99156 |
| 1.572 | 1.578 | 0.512 | 0.630 | 1.850 | 1.023 | KWK99157 |
| 1.602 | 1.608 | 0.500 | 0.641 | 1.938 | 1.000 | KWK99160 |
| 1.622 | 1.628 | 0.313 | 0.438 | 1.875 | 1.016 | KWK99161 |
| 1.623 | 1.628 | 0.563 | 0.688 | 1.875 | 0.813 | KWK99162 |
| <hr/> | | | | | | |
| 1.647 | 1.654 | 0.445 | 0.571 | 2.087 | 0.827 | KWK99166 |
| 1.647 | 1.654 | 0.563 | 0.688 | 2.087 | 0.827 | KWK99169 |
| 1.684 | 1.690 | 0.563 | 0.688 | 1.906 | 0.875 | KWK99168 |
| 1.685 | 1.691 | 0.313 | 0.438 | 1.906 | 0.875 | KWK99167 |
| 1.715 | 1.721 | 0.563 | 0.688 | 2.031 | 0.813 | KWK99171 |
| <hr/> | | | | | | |
| 1.736 | 1.742 | 0.375 | 0.500 | 2.063 | 0.813 | KWK99170 |
| 1.747 | 1.753 | 0.375 | 0.500 | 2.055 | 0.813 | KWK99172 |
| 1.747 | 1.753 | 0.531 | 0.625 | 2.063 | 0.875 | KWK99180 |
| 1.747 | 1.753 | 0.563 | 0.688 | 2.063 | 0.813 | KWK99174 |
| 1.747 | 1.753 | 0.750 | 0.875 | 2.063 | 0.813 | KWK99175 |
| <hr/> | | | | | | |
| 1.761 | 1.767 | 0.563 | 0.688 | 2.063 | 0.813 | KWK88176 |
| 1.761 | 1.767 | 0.563 | 0.688 | 2.063 | 0.813 | KWK99176 |
| 1.769 | 1.775 | 0.551 | 0.669 | 2.087 | 0.812 | KWK99177 |
| 1.778 | 1.784 | 0.675 | 0.800 | 2.125 | 1.000 | KWK88179 |
| 1.778 | 1.784 | 0.675 | 0.800 | 2.125 | 1.062 | KWK99179 |
| <hr/> | | | | | | |
| 1.809 | 1.815 | 0.563 | 0.688 | 2.156 | 1.000 | KWK99181 |
| 1.857 | 1.863 | 0.563 | 0.688 | 2.156 | 1.000 | KWK99185 |
| 1.866 | 1.872 | 0.889 | 1.025 | 2.187 | 1.000 | KWK88186 |
| 1.866 | 1.872 | 0.889 | 1.025 | 2.187 | 1.000 | KWK99186 |
| 1.872 | 1.878 | 0.175 | 0.295 | 2.203 | 0.744 | KWK99190 |
| <hr/> | | | | | | |
| 1.872 | 1.878 | 0.295 | 0.415 | 2.203 | 0.744 | KWK99188 |
| 1.872 | 1.878 | 0.375 | 0.516 | 2.203 | 1.050 | KWK99184 |
| 1.872 | 1.878 | 0.563 | 0.688 | 2.203 | 1.000 | KWK88187 |
| 1.872 | 1.878 | 0.563 | 0.688 | 2.203 | 1.000 | KWK99187 |
| 1.887 | 1.893 | 0.551 | 0.668 | 2.205 | 0.984 | KWK99189 |



| Shaft Diameter Range (A) | Width on Shaft (B) | Overall Width (C) | Flange Diameter (D) | Installation Depth (E) | Part Number |
|--------------------------|--------------------|-------------------|---------------------|------------------------|-------------|
| 1.909 | 1.915 | 0.375 | 2.219 | 1.000 | KWK99192 |
| 1.934 | 1.940 | 0.563 | 2.219 | 1.000 | KWK99193 |
| 1.965 | 1.971 | 0.551 | 2.244 | 0.984 | KWK99196 |
| 1.977 | 1.983 | 0.563 | 2.313 | 1.050 | KWK99198 |
| 1.997 | 2.003 | 0.563 | 2.406 | 1.000 | KWK88199 |
| 1.997 | 2.003 | 0.563 | 2.406 | 1.000 | KWK99199 |
| 1.997 | 2.003 | 0.875 | 2.406 | 1.000 | KWK99200 |
| 2.041 | 2.047 | 0.500 | 2.469 | 1.000 | KWK99204 |
| 2.057 | 2.063 | 0.781 | 2.469 | 1.375 | KWK99205 |
| 2.123 | 2.128 | 0.500 | 2.422 | 1.281 | KWK99210 |
| 2.124 | 2.130 | 0.781 | 2.422 | 1.375 | KWK99212 |
| 2.162 | 2.168 | 0.787 | 2.441 | 1.250 | KWK99215 |
| 2.186 | 2.192 | 0.781 | 2.500 | 1.313 | KWK88218 |
| 2.186 | 2.192 | 0.781 | 2.500 | 1.313 | KWK99218 |
| 2.197 | 2.205 | 0.500 | 2.500 | 1.250 | KWK99220 |
| 2.227 | 2.233 | 0.500 | 2.531 | 1.313 | KWK99229 |
| 2.227 | 2.233 | 0.781 | 2.531 | 1.250 | KWK99230 |
| 2.237 | 2.243 | 0.764 | 2.562 | 1.250 | KWK99226 |
| 2.249 | 2.255 | 0.313 | 2.531 | 1.313 | KWK99227 |
| 2.249 | 2.255 | 0.781 | 2.531 | 1.313 | KWK88225 |
| 2.249 | 2.255 | 0.781 | 2.531 | 1.313 | KWK99225 |
| 2.309 | 2.315 | 0.781 | 2.688 | 1.600 | KWK99231 |
| 2.327 | 2.333 | 0.750 | 2.750 | 1.610 | KWK88233 |
| 2.327 | 2.333 | 0.750 | 2.750 | 1.610 | KWK99233 |
| 2.359 | 2.365 | 0.370 | 2.783 | 1.472 | KWK99241 |
| 2.359 | 2.365 | 0.787 | 2.785 | 1.375 | KWK99235 |
| 2.369 | 2.375 | 0.781 | 2.750 | 1.375 | KWK99236 |
| 2.372 | 2.378 | 0.594 | 2.750 | 1.375 | KWK99238 |
| 2.374 | 2.380 | 0.526 | 2.750 | 1.375 | KWK99240 |
| 2.374 | 2.380 | 0.781 | 2.734 | 1.375 | KWK99237 |

| Shaft Diameter Range (A) | | Width on Shaft (B) | Overall Width (C) | Flange Diameter (D) | Installation Depth (E) | Part Number |
|--------------------------|-------|--------------------|-------------------|---------------------|------------------------|-------------|
| 2.434 | 2.440 | 0.781 | 0.938 | 2.828 | 1.375 | KWK99243 |
| 2.435 | 2.441 | 0.500 | 0.626 | 2.827 | 1.417 | KWK99242 |
| 2.489 | 2.495 | 0.781 | 0.938 | 2.875 | 1.393 | KWK99249 |
| 2.497 | 2.503 | 0.555 | 0.650 | 2.820 | 0.890 | KWK99253 |
| 2.500 | 2.506 | 0.500 | 0.656 | 2.828 | 1.375 | KWK99248 |
| 2.500 | 2.506 | 0.781 | 0.938 | 2.828 | 1.375 | KWK99250 |
| 2.510 | 2.516 | 0.781 | 0.906 | 2.828 | 1.438 | KWK99251 |
| 2.556 | 2.562 | 0.787 | 0.905 | 2.850 | 1.378 | KWK99254 |
| 2.560 | 2.566 | 0.781 | 0.938 | 2.891 | 1.375 | KWK99256 |
| 2.595 | 2.602 | 0.781 | 0.938 | 2.990 | 1.250 | KWK99259 |
| 2.618 | 2.624 | 0.781 | 0.938 | 3.047 | 1.375 | KWK99261 |
| 2.621 | 2.627 | 0.781 | 0.906 | 3.047 | 1.375 | KWK99264 |
| 2.622 | 2.628 | 0.500 | 0.625 | 3.047 | 1.375 | KWK99260 |
| 2.625 | 2.631 | 0.781 | 0.938 | 3.047 | 1.375 | KWK99262 |
| 2.727 | 2.733 | 0.781 | 0.906 | 3.125 | 1.313 | KWK99268 |
| 2.740 | 2.746 | 0.781 | 0.938 | 3.065 | 1.250 | KWK99273 |
| 2.745 | 2.751 | 0.781 | 0.938 | 3.125 | 1.250 | KWK99274 |
| 2.747 | 2.753 | 0.781 | 0.906 | 3.125 | 1.250 | KWK99270 |
| 2.747 | 2.753 | 1.438 | 1.625 | 3.075 | 1.625 | KWK99267 |
| 2.750 | 2.756 | 0.406 | 0.563 | 3.125 | 1.250 | KWK99272 |
| 2.750 | 2.756 | 0.781 | 0.938 | 3.125 | 1.250 | KWK99275 |
| 2.750 | 2.756 | 1.125 | 1.250 | 3.125 | 1.250 | KWK99269 |
| 2.753 | 2.759 | 0.787 | 0.945 | 3.125 | 1.250 | KWK99276 |
| 2.809 | 2.815 | 0.594 | 0.688 | 3.188 | 1.250 | KWK99281 |
| 2.838 | 2.844 | 0.500 | 0.656 | 3.225 | 1.250 | KWK99282 |
| 2.866 | 2.872 | 0.781 | 0.938 | 3.188 | 1.250 | KWK99286 |
| 2.873 | 2.879 | 0.781 | 0.938 | 3.219 | 1.250 | KWK99287 |
| 2.937 | 2.943 | 0.500 | 0.641 | 3.344 | 1.331 | KWK99290 |
| 2.937 | 2.943 | 0.781 | 0.938 | 3.344 | 1.250 | KWK99293 |
| 2.950 | 2.956 | 0.594 | 0.689 | 3.272 | 1.102 | KWK99289 |
| 2.950 | 2.956 | 0.866 | 1.024 | 3.305 | 1.312 | KWK99294 |
| 2.972 | 2.976 | 0.813 | - | - | - | KWK99292 |
| 2.990 | 2.996 | 0.484 | 0.625 | 3.359 | 1.331 | KWK99291 |
| 2.990 | 2.996 | 0.563 | 0.688 | 3.359 | 1.375 | KWK99298 |
| 2.990 | 2.996 | 0.813 | 1.000 | 3.359 | 1.250 | KWK99299 |
| 2.997 | 3.003 | 0.813 | 0.938 | 3.240 | 1.375 | KWK99296 |
| 3.000 | 3.006 | 0.625 | 0.813 | 3.345 | 1.063 | KWK99303 |
| 3.000 | 3.006 | 0.813 | 1.000 | 3.453 | 1.250 | KWK99300 |
| 3.008 | 3.014 | 0.500 | 0.625 | 3.355 | 2.000 | KWK99301 |
| 3.120 | 3.126 | 0.688 | 0.813 | 3.531 | 2.000 | KWK99311 |
| 3.120 | 3.126 | 0.813 | 1.000 | 3.531 | 2.000 | KWK99312 |
| 3.124 | 3.132 | 0.551 | 0.709 | 3.525 | 2.031 | KWK99307 |
| 3.142 | 3.150 | 0.750 | 0.886 | 3.540 | 1.375 | KWK99313 |
| 3.146 | 3.153 | 0.433 | 0.590 | 3.543 | 1.378 | KWK99317 |
| 3.146 | 3.153 | 0.827 | 0.945 | 3.543 | 1.375 | KWK99315 |
| 3.225 | 3.231 | 0.661 | 0.850 | 3.587 | 1.732 | KWK99328 |
| 3.247 | 3.253 | 0.813 | 1.000 | 3.594 | 1.375 | KWK99322 |
| 3.248 | 3.254 | 0.600 | 0.725 | 3.585 | 1.375 | KWK99323 |
| 3.250 | 3.256 | 0.595 | 0.719 | 3.594 | 1.375 | KWK99324 |
| 3.250 | 3.256 | 0.688 | 0.875 | 3.585 | 1.250 | KWK99326 |



| Shaft Diameter Range (A) | | Width on Shaft (B) | Overall Width (C) | Flange Diameter (D) | Installation Depth (E) | Part Number |
|--------------------------|-------|--------------------|-------------------|---------------------|------------------------|-------------|
| 3.250 | 3.256 | 0.813 | 1.000 | 3.594 | 1.375 | KWK99325 |
| 3.307 | 3.313 | 0.813 | 1.000 | 3.688 | 1.375 | KWK99331 |
| 3.337 | 3.346 | 0.827 | 0.984 | 3.700 | 1.378 | KWK99333 |
| 3.338 | 3.346 | 0.827 | 0.984 | 3.697 | 1.433 | KWK99334 |
| 3.373 | 3.379 | 0.375 | 0.500 | 3.688 | 1.410 | KWK99338 |
| 3.373 | 3.379 | 0.813 | 1.000 | 3.688 | 1.375 | KWK99337 |
| 3.435 | 3.441 | 0.781 | 0.906 | 3.844 | 1.406 | KWK99339 |
| 3.477 | 3.483 | 0.781 | 0.906 | 3.835 | 1.406 | KWK99340 |
| 3.500 | 3.506 | 0.315 | 0.500 | 3.827 | 1.339 | KWK99347 |
| 3.500 | 3.506 | 0.813 | 1.000 | 3.844 | 1.375 | KWK99350 |
| 3.501 | 3.507 | 0.626 | 0.811 | 3.842 | 1.339 | KWK99349 |
| 3.540 | 3.546 | 0.528 | 0.665 | 4.000 | 1.732 | KWK99353 |
| 3.540 | 3.546 | 0.710 | 0.906 | 4.000 | 1.813 | KWK99351 |
| 3.540 | 3.546 | 0.906 | 1.102 | 4.000 | 1.750 | KWK99354 |
| 3.560 | 3.566 | 0.813 | 1.000 | 3.900 | 1.750 | KWK99356 |
| 3.618 | 3.624 | 0.811 | 1.000 | 4.031 | 1.732 | KWK99360 |
| 3.623 | 3.629 | 0.500 | 0.625 | 4.025 | 1.750 | KWK99363 |
| 3.623 | 3.629 | 0.813 | 1.000 | 4.031 | 1.750 | KWK99362 |
| 3.684 | 3.690 | 0.313 | 0.438 | 3.830 | 0.375 | KWK99368 |
| 3.685 | 3.691 | 0.813 | 0.938 | 4.025 | 1.750 | KWK99359 |
| 3.685 | 3.691 | 0.813 | 0.938 | 4.025 | 1.750 | KWK99365 |
| 3.737 | 3.743 | 0.827 | 0.945 | 4.025 | 1.750 | KWK99369 |
| 3.740 | 3.746 | 0.344 | 0.500 | 4.031 | 1.750 | KWK99374 |
| 3.740 | 3.746 | 0.469 | 0.594 | 4.035 | 1.750 | KWK99364 |
| 3.746 | 3.752 | 0.563 | 0.688 | 4.025 | 1.750 | KWK99376 |
| 3.750 | 3.756 | 0.344 | 0.500 | 4.031 | 1.750 | KWK99367 |
| 3.750 | 3.756 | 0.688 | 0.875 | 4.031 | 1.875 | KWK99372 |
| 3.873 | 3.879 | 0.813 | 1.000 | 4.219 | 1.875 | KWK99387 |
| 3.935 | 3.941 | 0.813 | 1.000 | 4.313 | 1.340 | KWK99393 |
| 3.998 | 4.006 | 0.500 | 0.625 | 4.375 | 2.066 | KWK99401 |

| Shaft Diameter Range (A) | | Width on Shaft (B) | Overall Width (C) | Flange Diameter (D) | Installation Depth (E) | Part Number |
|--------------------------|-------|--------------------|-------------------|---------------------|------------------------|-------------|
| 3.998 | 4.006 | 0.600 | 0.725 | - | 2.050 | KWK99395 |
| 3.998 | 4.006 | 0.650 | 0.775 | 4.375 | 1.375 | KWK99400 |
| 3.998 | 4.006 | 0.813 | 1.000 | 4.375 | 1.250 | KWK99399 |
| 4.122 | 4.130 | 0.813 | 1.000 | 4.420 | 1.375 | KWK99412 |
| 4.130 | 4.138 | 0.787 | 0.906 | 4.470 | 1.378 | KWK99413 |
| 4.183 | 4.191 | 0.813 | 1.000 | 4.500 | 1.375 | KWK99418 |
| 4.226 | 4.234 | 0.781 | 0.906 | 4.610 | 1.438 | KWK99423 |
| 4.248 | 4.256 | 0.813 | 1.000 | 4.813 | 1.375 | KWK99424 |
| 4.327 | 4.335 | 0.509 | 0.650 | 4.921 | 1.250 | KWK99435 |
| 4.370 | 4.378 | 0.813 | 1.000 | 4.750 | 1.650 | KWK99437 |
| 4.434 | 4.442 | 1.000 | 1.142 | 4.813 | 1.313 | KWK99439 |
| 4.496 | 4.504 | 0.813 | 1.000 | 5.000 | 1.375 | KWK99450 |
| 4.523 | 4.531 | 0.813 | 0.938 | 5.000 | 1.250 | KWK99452 |
| 4.621 | 4.629 | 0.438 | 0.625 | 5.000 | 1.375 | KWK99465 |
| 4.621 | 4.629 | 1.000 | 1.250 | 5.063 | 1.375 | KWK99463 |
| 4.685 | 4.693 | 0.812 | 1.000 | 5.062 | 1.375 | KWK99468 |
| 4.720 | 4.728 | 0.787 | 0.984 | 5.110 | 1.260 | KWK99473 |
| 4.746 | 4.754 | 0.500 | 0.750 | 5.250 | 1.500 | KWK99475 |
| 4.801 | 4.807 | 0.787 | 0.945 | 5.177 | 1.260 | KWK99472 |
| 4.871 | 4.879 | 0.625 | 0.752 | 5.252 | 1.457 | KWK99487 |
| 4.917 | 4.925 | 0.394 | 0.551 | 5.402 | 1.457 | KWK99490 |
| 4.917 | 4.925 | 1.024 | 1.260 | 5.400 | 1.438 | KWK99492 |
| 4.998 | 5.006 | 0.688 | 0.875 | 5.400 | 1.438 | KWK99498 |
| 4.998 | 5.006 | 0.813 | 1.000 | 5.406 | 1.500 | KWK99499 |
| 5.110 | 5.118 | 0.750 | 0.938 | 5.493 | 1.181 | KWK99494 |
| 5.117 | 5.125 | 0.866 | 0.996 | 5.942 | 1.299 | KWK99491 |
| 5.246 | 5.254 | 0.813 | 1.000 | 5.560 | 1.250 | KWK99525 |
| 5.371 | 5.379 | 0.813 | 1.000 | 5.875 | 1.250 | KWK99537 |
| 5.498 | 5.506 | 0.812 | 1.000 | 5.938 | 1.250 | KWK99549 |
| 5.508 | 5.516 | 0.807 | 1.000 | 5.945 | 1.250 | KWK99552 |
| 5.746 | 5.754 | 0.813 | 1.000 | 6.180 | 1.750 | KWK99575 |
| 5.871 | 5.879 | 1.000 | 1.250 | 6.188 | 1.313 | KWK99587 |
| 5.895 | 5.905 | 1.024 | 1.181 | 6.260 | 1.338 | KWK99595 |
| 5.934 | 5.942 | 1.000 | 1.125 | 6.375 | 1.875 | KWK99596 |
| 5.995 | 6.003 | 0.500 | 0.750 | 6.360 | 1.750 | KWK99601 |
| 5.995 | 6.003 | 1.000 | 1.250 | 6.375 | 1.750 | KWK99599 |
| 6.092 | 6.102 | 1.024 | 1.181 | 6.500 | 1.299 | KWK99606 |
| 6.245 | 6.255 | 1.031 | 1.250 | 6.625 | 1.750 | KWK99625 |
| 6.289 | 6.299 | 1.000 | 1.250 | 7.000 | 1.800 | KWK99630 |
| 6.495 | 6.505 | 1.000 | 1.250 | 7.000 | 1.750 | KWK99650 |
| 6.683 | 6.693 | 1.250 | 1.496 | 7.188 | 1.750 | KWK99640 |
| 6.745 | 6.755 | 0.813 | 1.063 | 7.125 | 1.750 | KWK99675 |
| 6.995 | 7.005 | 1.000 | 1.250 | 7.500 | 1.750 | KWK99700 |
| 7.077 | 7.087 | 1.300 | 1.496 | 7.500 | 1.752 | KWK99721 |
| 7.244 | 7.254 | 1.250 | 1.500 | 7.760 | 2.175 | KWK99725 |
| 7.495 | 7.505 | 0.813 | 1.000 | 7.875 | 1.250 | KWK99750 |
| 7.745 | 7.755 | 1.000 | 1.313 | 8.270 | 1.875 | KWK99775 |
| 7.869 | 7.879 | 1.359 | 1.500 | 8.375 | 1.750 | KWK99787 |
| 7.933 | 7.943 | 1.000 | 1.250 | 8.375 | 1.750 | KWK99799 |
| 7.995 | 8.005 | 1.000 | 1.250 | 8.375 | 1.750 | KWK99800 |

| Shaft | O.D. | Width | Part Number | Seal Number | Description |
|-------|-------|-------|--------------|-------------|--|
| - | - | - | 5068 | - | (Split Seal) |
| - | - | - | 5073 | - | Contains (2) G753 Gasket |
| - | - | - | 5106 | - | Split Seal |
| - | - | - | 5111 | - | (Split Seal) |
| - | - | - | 5112 | - | (Split Seal) |
| - | - | - | 5118 | - | (Split Seal) |
| - | - | - | 5682 | - | |
| - | - | - | 5685 | - | |
| - | - | - | 5686 | - | (Kit) |
| - | - | - | 5690 | - | (Repair Kit) |
| - | - | - | 5694 | **1884 | (Kit) |
| - | - | - | | **4899 | |
| - | - | - | | 722111 | |
| - | - | - | 5700 | - | (Kit) |
| - | 3.030 | 0.325 | 5092 | - | (Split Seal) |
| - | 4.000 | 0.187 | 5116 | - | (Split Seal) |
| - | 4.200 | 0.222 | 5108 | - | (Split Seal) |
| - | 4.862 | 0.410 | *5479 | - | Contains (2) * G196 Gasket & (2) * G214 Gasket |
| - | 4.875 | 0.455 | 5476 | ** | Contains (2) * G211 Gasket |
| - | 4.875 | 0.410 | 5596 | - | Contains (2) * G196 Gasket & (2) * G456 Gasket |
| - | 5.625 | 0.430 | 5414 | - | Contains (2) * G129 Gasket & * G130 Gasket & * G131 Gasket |
| - | 5.700 | 0.415 | *5576 | - | Contains (2) * G427 Gasket |
| - | 5.700 | 0.415 | 5650 | - | |
| - | 6.240 | 0.400 | 5591 | - | Contains (2) * G462 Gasket & (2) * G463 Gasket |
| - | 6.600 | 0.430 | 5390 | - | Contains (2) * G214 Gasket & (2) * G594 Gasket |
| - | 6.906 | 0.440 | 5419 | - | Contains (2) * G137 Gasket |
| 1.062 | 1.507 | 0.250 | 5346 | **340210 | Contains (2) * 666215 'O' Ring & * 666232 'O' Ring & * 666334 'O' Ring |
| 1.062 | 2.129 | 0.625 | 5168 | **413293 | Contains * JV1872 Wear Sleeve |
| 1.172 | 1.832 | 0.422 | 5462 | **6370N | Contains * J712 Wear Sleeve |
| 1.250 | 1.756 | - | PSK-1 | SR2 | (KIT) |
| 1.250 | 1.756 | - | | **SW2 | |
| 1.250 | 1.756 | - | | 5683 | ++ |
| 1.250 | 1.756 | - | | 5864 | ++ |
| 1.250 | 2.254 | 0.750 | 5166 | **410169 | Contains * JV1873 Wear Sleeve |
| 1.376 | 2.254 | 1.370 | 5204 | **7495S | Contains * RP 691 Bushing (Seal & Bushing Kit) |
| 1.438 | 2.192 | 0.480 | 5550 | **9249 | Contains * 623017 'O' Ring |
| 1.493 | 2.507 | 0.700 | 5592 | **8097 | Contains * JV970 Wear Sleeve |
| 1.500 | 2.378 | 1.500 | 5201 | **470059 | Contains * RP 605 Bushing (Seal & Bushing Kit) |
| 1.500 | 2.378 | 1.500 | 5202 | **7692S | Contains * RP 605 Bushing (Seal & Bushing Kit) |
| 1.500 | 2.570 | 0.550 | 5071 | **200861% | Contains * JV933 Wear Sleeve |
| 1.502 | 2.381 | 0.940 | 5200 | **9613S | Contains * RP 356 Bushing (Seal & Bushing Kit) |
| 1.562 | 2.506 | 0.500 | 5331 | **450185 | Contains * G199 Gasket |
| 1.566 | 2.515 | 1.370 | 5207 | **8935S | Contains * RP 553 Bushing (Seal & Bushing Kit) |
| 1.688 | 2.687 | 1.240 | 5205 | **7038SA | Contains RP 717 Bushing (Seal & Bushing Kit) |
| 1.688 | 2.850 | 2.120 | 5206 | **7300S | Contains * RP 546 Bushing (Seal & Bushing Kit) |
| 1.689 | 2.850 | 2.120 | 5203 | **7300S | Contains * RP 661 Bushing (Seal & Bushing Kit) |
| 1.750 | 3.376 | 0.667 | 5302 | **8398 | Contains * K259 Wiper |
| 1.763 | 2.416 | 0.563 | 5000 | ** | - |
| 1.766 | 3.005 | 0.875 | 5364 | **451139 | Contains * JX825 Wear Sleeve |
| 1.812 | 2.879 | 0.718 | 5531 | **410295 | Contains * JV1464 Wear Sleeve |

| Shaft | O.D. | Width | Part Number | Seal Number | Description |
|-------|-------|-------|--------------|-------------|---|
| 1.875 | 2.565 | 0.563 | 5001 | - | |
| 1.875 | 2.627 | 0.843 | 5599 | **470455 | Contains * J990 Wear Sleeve |
| 1.875 | 2.690 | 0.625 | 5388 | 450360 | Contains * J1107 Wear Sleeve |
| 1.875 | 2.762 | 0.500 | 5336 | **410283 | Contains * G736 Gasket |
| 1.875 | 2.808 | 0.433 | 5699 | 4310 | Contains * AS232 'O' Ring |
| 1.875 | 3.130 | 0.625 | 5361 | **450310N | Contains * J1107 Wear Sleeve |
| 1.875 | 3.150 | 0.315 | 5697 | 4051 | Contains * AS232 'O' Ring |
| 1.875 | 4.812 | 0.312 | 5594 | **7105S | Contains (2) * G196 Gasket & (2) * G456 Gasket |
| 1.880 | 2.414 | 0.250 | 5458 | **6910S | Contains * 610101 'O' Ring |
| 1.887 | 1.998 | 1.000 | 5208 | **9449 | Contains RP775 Bushing (Seal & Bushing Kit) |
| 1.915 | 2.548 | 0.250 | 5499 | **7020 | Contains * 610105 'O' Ring |
| 1.915 | 2.548 | 0.250 | 5573 | **7020 | Contains * 610145 'O' Ring |
| 2.000 | 3.376 | 0.625 | 5161 | **410972 | Contains * J1109 Wear Sleeve & * JV1837 Wear Sleeve |
| 2.000 | 3.376 | 0.625 | 5188 | **410972N | Contains * J1109 Wear Sleeve & * JV1837 Wear Sleeve |
| 2.000 | 4.562 | 0.562 | 5329 | 6465B | Contains (2) G33 Gasket |
| 2.000 | 4.562 | 0.562 | 5330 | **6469 | Contains (2) * G34 Gasket |
| 2.000 | 5.880 | 0.458 | *5172 | **6959 | Contains * K251 Wiper & * G895A Gasket |
| 2.000 | 5.880 | 0.448 | 5487 | - | Contains (2) * G221 Gasket & * K251 Wiper |
| 2.010 | 2.965 | 0.318 | 5695 | **SK1 | Contains *SK3 Wear Sleeve (Kit) |
| 2.010 | 2.965 | 0.318 | | **SK2 | |
| 2.047 | 2.964 | 0.315 | 5696 | **1993 | (Kit) |
| 2.047 | 2.964 | 0.315 | | **4898 | |
| 2.047 | 2.964 | 0.315 | | 722110 | |
| 2.120 | 3.505 | 0.750 | 5521 | **415093 | Contains * JV1456 Wear Sleeve |
| 2.121 | 3.350 | 0.500 | 5397 | **9434 | |
| 2.121 | 3.350 | 0.500 | | **482435 | |
| 2.125 | 3.072 | 0.433 | 5604 | **3948 | Contains * JV2019 Wear Sleeve |
| 2.129 | 2.766 | 0.250 | 5488 | **6957 | Contains * 610123 'O' Ring |
| 2.129 | 2.766 | 0.250 | 5589 | **6957 | Contains * 666151 'O' Ring |
| 2.187 | 3.194 | 0.437 | 5332 | 450354 | Contains * G25 Gasket |
| 2.250 | 3.256 | 0.625 | 5160 | **412038 | Contains * J1113 Wear Sleeve & * JV1836 Wear Sleeve |
| 2.250 | 3.256 | 0.625 | 5189 | **412038N | Contains * J1113 Wear Sleeve & * JV1836 Wear Sleeve |
| 2.340 | 3.355 | 0.650 | 5666 | **3501V | Contains * JX1966 Wear Sleeve |
| 2.375 | 3.433 | 1.000 | 5602 | **473274N | Contains * JV1802 Wear Sleeve |
| 2.375 | 4.943 | 1.000 | 5603 | **3136N | Contains * JV1802 Wear Sleeve |
| 2.377 | 3.505 | 0.937 | 5066 | **3894V | Contains * JX1920 Wear Sleeve Seal & Sleeve |
| 2.420 | 3.558 | 0.336 | 5698 | 4185 | Contains * AS043 'O' Ring |
| 2.430 | 3.031 | 0.380 | 5567 | - | |
| 2.432 | 3.756 | 0.750 | *5520 | **415244 | Contains * JV1455 Wear Sleeve |
| 2.496 | 3.758 | 0.625 | 5045 | **200851% | Contains * JV1582 Wear Sleeve |
| 2.500 | 6.125 | 0.435 | 5401 | **7512S | Contains (2) * G41 Gasket & * G43 Gasket & * JV1304 Wear Sleeve |
| 2.531 | 6.125 | 0.500 | 5384 | **7154S | Contains & G41 Gasket |
| 2.562 | 8.250 | 1.003 | 5406 | **6481N | Contains * G40 Gasket & * K282 Wiper |
| 2.625 | 3.480 | 0.380 | 5072 | - | |
| 2.625 | 3.755 | 0.625 | 5147 | **200919 | Contains * JV1517 Wear Sleeve |
| 2.750 | 3.881 | 1.000 | 5584 | **415479N | Contains * K198 Wiper |
| 2.812 | 4.504 | 1.000 | 5399 | **415356 | Contains * JV1427 Wear Sleeve |
| 2.835 | 3.425 | 0.230 | 5163 | - | |
| 2.860 | 6.562 | 0.571 | 5403 | **6479 | Contains J493 Wear Sleeve |
| 2.875 | 3.756 | 0.625 | 5601 | **476023N | Contains * JV1120 Wear Sleeve |

| Shaft | O.D. | Width | Part Number | Seal Number | Description |
|-------|-------|-------|--------------|-------------|---|
| 2.988 | 3.740 | 1.165 | 5290 | ** - | |
| 2.991 | 3.637 | 0.385 | 5273 | **100202T | (Tefbnf) |
| 3.000 | 4.008 | 0.625 | 5629 | **457034 | Contains * J1121 Wear Sleeve |
| 3.000 | 4.008 | 0.687 | 5657 | **457034 | Contains * JX1747 Wear Sleeve |
| 3.000 | 8.250 | 0.531 | 5452 | 6764S | Contains * G48 Gasket & * G167 Gasket & * J495 Wear Sleeve |
| 3.010 | 8.150 | 0.925 | 5494 | **6897 | Contains (2) * G40 Gasket & * K156 Wiper |
| 3.010 | 8.250 | 0.571 | 5015 | **8369S | Contains * G48 Gasket & * JV495 Wear Sleeve & (2) * G523 Gasket |
| 3.010 | 8.250 | 0.571 | 5313 | **8369S | Contains * K282 Wiper & (2) * G523 Gasket |
| 3.110 | 5.750 | 0.375 | 5079 | **7896S | |
| 3.112 | 4.633 | 0.920 | 5100 | **9583 | Contains * JV1508 Wear Sleeve |
| 3.119 | 4.130 | 0.750 | 5509 | **255566H | Contains * J1401 Wear Sleeve |
| 3.119 | 4.756 | 0.875 | 5518 | - | |
| 3.124 | 8.250 | 0.518 | 5408 | **6477S | Contains (2) * G40 Gasket & * G42 Gasket & * J873 Wear Sleeve |
| 3.125 | 4.130 | 0.625 | 5120 | **415566N | Contains * J1122 Wear Sleeve |
| 3.125 | 4.130 | 1.000 | 5578 | **485500N | Contains * K179 Wiper |
| 3.125 | 7.500 | 0.625 | 5405 | **6480 | Contains * G49 Gasket & * K282 Wiper |
| 3.125 | 8.125 | 0.571 | 5410 | **6505S | Contains * G48 Gasket & (2) * G54 Gasket & * JV495 Wear Sleeve |
| 3.125 | 8.250 | 0.571 | 5185 | - | |
| 3.250 | 4.008 | 0.866 | 5609 | - | |
| 3.250 | 4.254 | 0.750 | 5169 | **476028 | Contains * JV1875 Wear Sleeve |
| 3.250 | 4.254 | 0.625 | 5373 | **416294N | Contains * J1123 Wear Sleeve |
| 3.250 | 4.254 | 0.625 | 5382 | **415613 | Contains * J1123 Wear Sleeve |
| 3.250 | 4.572 | 0.750 | 5593 | **200870 | Contains * JV980 Wear Sleeve |
| 3.250 | 5.004 | 0.625 | 5381 | **415025 | Contains * J1123 Wear Sleeve |
| 3.375 | 4.380 | 0.812 | 5588 | **8130 | Contains * JV976 Wear Sleeve |
| 3.438 | 4.012 | 0.410 | 5095 | - | (Rope Type) |
| 3.438 | 4.313 | 0.188 | 5117 | - | (Split Seal) |
| 3.465 | 4.266 | 0.437 | 5287 | **100239T | Contains 732079 Gasket & * 733419 Gasket & 734280 Gasket (Tefbnf) |
| 3.500 | 5.256 | 0.718 | *5551 | **416335 | Contains * JV1494 Wear Sleeve |
| 3.500 | 6.625 | 0.531 | 5327 | **6245S | Contains (2) * G35 Gasket |
| 3.562 | 4.630 | 0.700 | 5347 | **8480 | Contains * JV1170 Wear Sleeve |
| 3.562 | 5.125 | 0.875 | 5649 | **9584 | Contains * JV1509 Wear Sleeve |
| 3.562 | 5.256 | 0.468 | 5532 | **416670 | Contains * JV1469 Wear Sleeve |
| 3.583 | 4.375 | 0.394 | 5279 | **100052T | Contains 731414 Gasket (Tefbn f) |
| 3.625 | 4.256 | 0.390 | 5277 | **100204T | (Tefbnf) |
| 3.625 | 4.756 | 0.875 | 5167 | **475379 | Contains * JV1874 Wear Sleeve |
| 3.625 | 4.879 | 0.585 | 5453 | **485497 | Contains * 633013 'O' Ring Kit |
| 3.740 | 4.540 | 0.492 | 5274 | **100203T | Contains 733215 Gasket (Tefbn |
| 3.750 | 4.506 | 0.362 | 5278 | **100205T | (Tefbnf) |
| 3.750 | 4.756 | 0.625 | 5084 | - | |
| 3.865 | 6.102 | 0.975 | 5667 | **4269 | Contains * J2058 Wear Sleeve |
| 3.868 | 5.506 | 0.921 | 5475 | **6864S | Contains * J718 Wear Sleeve |
| 3.930 | 5.381 | 0.875 | 5028 | **9586 | Contains * JV1511A Wear Sleeve |
| 3.937 | 5.506 | 0.859 | 5465 | **455037 | Contains * JV1362 Wear Sleeve |
| 3.937 | 5.506 | 0.859 | 5563 | **6864S | Contains * JV1362 Wear Sleeve |
| 3.937 | 5.509 | 0.597 | 5089 | **2155 | Contains * JV1511 Wear Sleeve |
| 3.937 | 5.678 | 0.875 | 5076 | **9586 | Contains * JV1511 Wear Sleeve |
| 3.994 | 5.004 | 0.718 | 5526 | **415134 | Contains * JV1461 Wear Sleeve |
| 3.994 | 5.005 | 0.625 | 5065 | **455134H | Contains * J1129 Wear Sleeve |
| 4.000 | 5.004 | 0.625 | 5376 | **413134N | Contains * J1129 Wear Sleeve |

| Shaft | O.D. | Width | Part Number | Seal Number | Description |
|-------|--------|-------|--------------|-------------|---|
| 4.000 | 5.004 | 0.937 | 5581 | **7390 | Contains * JV943 Wear Sleeve |
| 4.062 | 5.506 | 0.875 | 5170 | **415039 | Contains * JV1473 Wear Sleeve |
| 4.062 | 6.000 | 0.875 | 5537 | **416673 | Contains * JV1473 Wear Sleeve |
| 4.375 | 6.259 | 0.843 | 5077 | **9587 | Contains * JV1512 Wear Sleeve |
| 4.500 | 6.259 | 0.862 | 5075 | **9588 | Contains * JV1513 Wear Sleeve |
| 4.642 | 5.756 | 0.750 | 5008 | 455053 | Contains * JX847 Wear Sleeve |
| 4.646 | 5.756 | 0.625 | 5625 | **485138 | Contains * JX1386 Wear Sleeve |
| 4.687 | 5.756 | 1.562 | 5460 | **455251H | Contains * JV729 Wear Sleeve |
| 4.687 | 5.756 | 1.562 | 5461 | **75251S | Contains * J729 Wear Sleeve |
| 4.687 | 7.635 | 0.359 | 5575 | **6701 | Contains JV608 Wear Sleeve |
| 4.743 | 6.256 | 0.812 | 5527 | 415068 | Contains * JV1462 Wear Sleeve |
| 4.750 | 6.006 | 0.750 | *5010 | **476621H | Contains * J1135 Wear Sleeve |
| 4.750 | 6.256 | 0.750 | 5377 | **415068N | Contains * J1135 Wear Sleeve |
| 4.759 | 6.316 | 1.250 | 5481 | **6872S | Contains * JV753 Wear Sleeve |
| 4.759 | 6.505 | 1.125 | 5483 | **6873S | Contains * JV753 Wear Sleeve |
| 4.759 | 7.004 | 1.250 | 5495 | **7006S | Contains * JV753 Wear Sleeve |
| 4.812 | 6.316 | 1.250 | 5471 | **6872S | Contains * JV701 Wear Sleeve |
| 4.812 | 6.505 | 1.125 | 5473 | **6873S | Contains * JV701 Wear Sleeve |
| 4.812 | 7.004 | 1.250 | 5472 | **7006S | Contains * JV701 Wear Sleeve |
| 4.834 | 5.756 | 0.710 | 5033 | **3492 | Contains * JX2162 Wear Sleeve |
| 4.841 | 5.756 | 0.750 | 5665 | **3492V | Contains JX1967 Wear Sleeve |
| 4.875 | 6.006 | 0.715 | 5643 | **3782 | Contains * J1606 Wear Sleeve |
| 4.993 | 6.131 | 0.750 | 5229 | **416172 | Contains * J1137 Wear Sleeve |
| 5.000 | 6.006 | 0.717 | 5722 | **947090 | Contains * JL2370 Wear Sleeve |
| 5.000 | 6.131 | 0.875 | 5199 | **8971H | Contains * JX1831 Wear Sleeve |
| 5.000 | 6.131 | 0.875 | 5624 | **456557 | Contains * JX1831 Wear Sleeve |
| 5.179 | 6.513 | 1.380 | 5424 | **327984 | Contains * JF2280 Wear Sleeve |
| 5.180 | 6.507 | 0.750 | *5082 | **456986H | Contains * J2037 Wear Sleeve |
| 5.187 | 6.513 | 1.380 | 5422 | **327984 | Contains * JF2280 Wear Sleeve |
| 5.500 | 6.631 | 0.875 | 5146 | **415487 | Contains * JV1463 Wear Sleeve |
| 5.625 | 6.632 | 1.000 | 5383 | 455447 | Contains * J1355 Wear Sleeve |
| 5.875 | 7.008 | 0.875 | 5228 | **456055V | Contains * JX1002 Wear Sleeve |
| 5.991 | 6.757 | 0.500 | 5039 | **4165V | Contains * JV2088 Wear Sleeve |
| 5.998 | 6.757 | 0.675 | 5645 | **4165V | Contains * J2051 Wear Sleeve |
| 6.000 | 6.757 | 0.750 | 5026 | **336665H | Contains * J1141 Wear Sleeve |
| 6.079 | 7.336 | 0.750 | 5613 | **2628 | Contains * K458 Wiper & * J1842 Wear Sleeve |
| 6.079 | 7.336 | 0.600 | 5637 | **2628 | Contains * J1895 Wear Sleeve |
| 6.204 | 7.336 | 0.812 | *5634 | **3807 | Contains * J1825 Wear Sleeve |
| 6.500 | 8.007 | 0.750 | 5436 | 914414 | Contains JG2361 Wear Sleeve |
| 6.500 | 8.007 | 0.750 | 5441 | 914411 | Contains JL2361 Wear Sleeve |
| 6.500 | 8.007 | 1.000 | 5443 | 914413 | Contains JG2345 Wear Sleeve |
| 6.875 | 8.382 | 0.750 | 5538 | **416674 | Contains * JV1474 Wear Sleeve |
| 6.875 | 8.633 | 0.825 | 5164 | **3123 | |
| 6.875 | 8.633 | 0.825 | | **3124 | |
| 7.369 | 9.010 | 0.875 | 5276 | **415551 | Contains * JV1190 Wear Sleeve |
| 7.908 | 9.508 | 0.960 | 5615 | **3624 | |
| 7.908 | 9.508 | 0.960 | | **3776S | |
| 9.057 | 10.719 | 1.000 | 5632 | **3689 | Contains * J1984 Wear Sleeve |
| 9.265 | 11.385 | 0.990 | 5175 | **455871V | Contains * JV829 Wear Sleeve |
| 9.375 | 11.383 | 0.825 | 5227 | **3502 | |
| 9.375 | 11.383 | 0.825 | | **3503 | |

| Part Number | Style | Matl | Shaft | Bore | O.D. | Width | Part Number | Style | Matl | Shaft | Bore | O.D. | Width |
|-------------|-------|------|-------------|----------------|----------------|---------------|-------------|-------|------|-------------|-------------|----------------|---------------|
| ◆1012N | 320 | S | 1.772 45 | 2.441 62 | 2.452 62.28 | 0.315 8 | ◆1168← | 320 | S | 1.299 33 | 1.969 50 | 1.978 50.25 | 0.472 12 |
| ◆1012S | 350 | S | 1.772 45 | 2.441 62 | 2.452 62.28 | 0.315 8 | ◆1170 | 320 | S | 1.378 35 | 2.047 52 | 2.057 52.25 | 0.394 10 |
| ◆1015 | 350 | S | 0.709 18 | 1.102 28 | 1.111 28.22 | 0.236 6 | ◆1170S | 320 | S | 1.378 35 | 2.047 52 | 2.057 52.25 | 0.394 10 |
| ◆1015N | 350 | S | 0.709 18 | 1.102 28 | 1.111 28.22 | 0.236 6 | ◆1172→ | 320 | H | 1.378 35 | 1.850 47 | 1.866 47.40 | 0.276 7 |
| ◆1019← | 320 | H | 2.992 76 | 3.661 93 | 3.673 93.30 | 0.394 10 | ◆1172S→ | 320 | H | 1.378 35 | 1.850 47 | 1.866 47.40 | 0.276 7 |
| ◆1019S← | 320 | H | 2.992 76 | 3.661 93 | 3.673 93.30 | 0.394 10 | ◆1173 | 320 | N | 1.378 35 | 2.638 67 | 2.648 67.27 | 0.472 12 |
| ◆1021← | 320 | V | 2.756 70 | 3.425 87 | 3.436 87.27 | 0.335 8.50 | ◆1174 | 320 | S | 1.496 38 | 2.047 52 | 2.058 52.27 | 0.276 7 |
| ◆1021V← | 320 | V | 2.756 70 | 3.425 87 | 3.436 87.27 | 0.335 8.50 | ◆1174S | 320 | S | 1.496 38 | 2.047 52 | 2.058 52.27 | 0.276 7 |
| ◆1036→ | 400 | N | 1.575 40 | 2.992 76 | 3.003 76.28 | 0.354 9 | ◆1175 | 320 | S | 1.496 38 | 2.283 58 | 2.294 58.27 | 0.433 11 |
| 1037 | 350 | S | 1.125 | 1.500 | 1.504 | 0.250 | ◆1176→ | # | N | 1.496 38 | 2.559 65 | 2.570 65.27 | 0.472 12 |
| ◆1038→ | 320 | N | 1.496 38 | 2.323 59 | 2.334 59.28 | 0.354 9 | ◆1176S→ | # | N | 1.496 38 | 2.559 65 | 2.570 65.27 | 0.472 12 |
| ◆1039S | 350 | S | 2.362 60 | 3.150 80 | 3.161 80.29 | 0.315 8 | ◆1177 | 320 | N | 1.496 38 | 2.913 74 | 2.920 74.17 | 0.433 11 |
| 1041 | 480 | S | 0.500 | 1.003 | 1.009 | 0.250 | ◆1178 | 320 | S | 1.575 40 | 2.047 52 | 2.057 52.25 | 0.236 6 |
| 1049 | 330 | S | 0.750 | 1.125 | 1.131 | 0.189 | ◆1178S | 320 | S | 1.575 40 | 2.047 52 | 2.057 52.25 | 0.236 6 |
| 1097 | 330 | S | 1.375 | 1.947 | 1.953 | 0.500 | ◆1180 | 320 | S | 1.614 41 | 2.165 55 | 2.172 55.17 | 0.236 6 |
| 1097N | 330 | S | 1.375 | 1.947 | 1.953 | 0.500 | ◆1180S | 320 | S | 1.614 41 | 2.165 55 | 2.172 55.17 | 0.236 6 |
| ◆1108→ | 320 | V | 1.378 35 | 1.890 48 | 1.899 48.24 | 0.394 10 | ◆1181 | 350 | S | 1.614 41 | 2.205 56 | 2.211 56.16 | 0.276 7 |
| 1110 | # | F | 1.400 | 1.969 | 2.000 | 0.250 | ◆1183 | 340 | S | 1.693 43 | 2.165 55 | 2.176 55.27 | 0.315 8 |
| ◆1120← | 320 | V | 1.496 38 | 2.087 53 | 2.098 53.29 | 0.276 7 | ◆1187S | 320 | S | 1.850 47 | 2.677 68 | 2.688 68.27 | 0.394 10 |
| ◆1120S← | 320 | V | 1.496 38 | 2.087 53 | 2.098 53.29 | 0.276 7 | ◆1188 | 340 | S | 1.890 48 | 2.441 62 | 2.452 62.28 | 0.236 6 |
| ◆1121← | 320 | V | 1.220 31 | 1.811 46 | 1.820 46.23 | 0.315 8 | ◆1188S | 340 | S | 1.890 48 | 2.441 62 | 2.452 62.28 | 0.236 6 |
| ◆1126 | 250 | S | 1.535 39 | 1.984 50.40 | 1.991 50.57 | 0.335 8.50 | 1192 | 320 | S | 1.605 | 2.374 | 2.386 | 0.375 |
| ◆1126S | 250 | S | 1.535 39 | 1.984 50.40 | 1.991 50.57 | 0.335 8.50 | ◆1195 | 320 | S | 1.562 | 2.061 | 2.275 | 0.338 |
| 1128S | 350 | S | 1.535 | 2.000 | 2.008 | 0.295 | ◆1196 | 470 | S | 1.496 38 | 2.047 52 | 2.058 52.27 | 0.236 6 |
| ◆1129 | 350 | S | 1.181 30 | 1.575 40 | 1.584 40.23 | 0.276 7 | ◆1205 | 470 | S | 1.535 39 | 2.047 52 | 2.053 52.15 | 0.248 6.30 |
| ◆1136← | 300 | N | 1.378 35 | 2.992 76 | 3.003 76.28 | 0.354 9 | ◆1205N | 470 | S | 1.535 39 | 2.047 52 | 2.053 52.15 | 0.248 6.30 |
| ◆1136S← | 300 | N | 1.378 35 | 2.992 76 | 3.003 76.28 | 0.354 9 | ◆1207 | 490 | S | 2.165 55 | 2.913 74 | 2.920 74.17 | 0.236 6 |
| ◆1140→ | 320 | N | 1.378 35 | 2.677 68 | 2.688 68.28 | 0.354 9 | ◆1207N | 490 | S | 2.165 55 | 2.913 74 | 2.920 74.17 | 0.236 6 |
| ◆1146← | 320 | N | 1.575 40 | 2.992 76 | 3.003 76.28 | 0.354 9 | 1208 | 320 | S | 1.890 | 2.835 | 2.847 | 0.276 |
| ◆1146S← | 320 | N | 1.575 40 | 2.992 76 | 3.003 76.28 | 0.354 9 | 1208S | 320 | S | 1.890 | 2.835 | 2.847 | 0.276 |
| ◆1147→ | 320 | N | 1.378 35 | 2.992 76 | 3.003 76.28 | 0.354 9 | ◆1209 | 350 | S | 1.969 50 | 2.559 65 | 2.565 65.15 | 0.354 9 |
| ◆1167 | 320 | N | 1.260 32 | 2.047 52 | 2.058 52.27 | 0.433 11 | | | | | | | |
| ◆1167S | 320 | N | 1.260 32 | 2.047 52 | 2.058 52.27 | 0.433 11 | | | | | | | |

| Part Number | Style | Matl | Shaft | Bore | O.D. | Width | Part Number | Style | Matl | Shaft | Bore | O.D. | Width |
|-------------|-------|------|-------------|----------------|----------------|---------------|-------------|-------|------|-------------|-------------|----------------|---------------|
| ◆1209S | 350 | S | 1.969 50 | 2.559 65 | 2.565 65.15 | 0.354 9 | 1952 | 540 | S | 1.771 | 3.661 | 3.661 | 0.313 |
| ◆1213 | 470 | S | 1.575 40 | 2.126 54 | 2.132 54.15 | 0.209 5.30 | ◆1953 | 320 | N | 1.654 42 | 2.362 60 | 2.373 60.27 | 0.276 7 |
| ◆1213N | 470 | S | 1.575 40 | 2.126 54 | 2.132 54.15 | 0.209 5.30 | ◆1953S | 320 | N | 1.654 42 | 2.362 60 | 2.373 60.27 | 0.276 7 |
| ◆1213S | 470 | S | 1.575 40 | 2.126 54 | 2.132 54.15 | 0.209 5.30 | ◆1955 | 350 | S | 2.047 52 | 2.559 65 | 2.565 65.15 | 0.354 9 |
| ◆1214 | 470 | S | 1.654 42 | 2.165 55 | 2.172 55.17 | 0.354 9 | ◆1956 | # | S | 1.890 48 | 2.441 62 | 2.452 62.28 | 0.354 9 |
| ◆1214N | 470 | S | 1.654 42 | 2.165 55 | 2.172 55.17 | 0.354 9 | ◆1956S | # | S | 1.890 48 | 2.441 62 | 2.452 62.28 | 0.354 9 |
| ◆1215← | # | N | 1.378 35 | 1.890 48 | 1.895 48.13 | 0.512 13 | ◆1958 | 350 | S | 2.165 55 | 3.228 82 | 3.235 82.17 | 0.394 10 |
| ◆1215N← | # | N | 1.378 35 | 1.890 48 | 1.895 48.13 | 0.512 13 | 1959 | 320 | S | 1.870 | 2.781 | 2.792 | 0.359 |
| ◆1216 | 740 | N | 1.575 40 | 2.520 64 | 2.526 64.16 | 0.472 12 | ◆1960 | 470 | S | 1.969 50 | 2.756 70 | 2.761 70.13 | 0.354 9 |
| ◆1216N | 740 | N | 1.575 40 | 2.520 64 | 2.526 64.16 | 0.472 12 | ◆1962 | 780 | S | 1.575 40 | 2.047 52 | 2.053 52.15 | 0.276 7 |
| ◆1217 | 350 | N | 1.575 40 | 2.047 52 | 2.053 52.15 | 0.276 7 | ◆1963 | 350 | N | 0.866 22 | 1.575 40 | 1.581 40.16 | 0.276 7 |
| ◆1873→ | 350 | S | 1.563 40 | 2.311 58.70 | 2.322 58.98 | 0.374 9.50 | ◆1964 | 470 | S | 2.244 57 | 2.835 72 | 2.840 72.14 | 0.331 8.40 |
| ◆1883 | 320 | S | 2.047 52 | 2.638 67 | 2.649 67.29 | 0.276 7 | ◆1965 | 480 | V | 1.417 36 | 2.362 60 | 2.370 60.20 | 0.315 8 |
| ◆1884 | 320 | S | 2.047 52 | 2.677 68 | 2.683 68.15 | 0.295 7.50 | ◆1966→ | 350 | Y | 1.496 38 | 2.047 52 | 2.058 52.27 | 0.276 7 |
| 1906 | 310 | S | 1.763 | 2.126 | 2.134 | 0.382 | 1969 | 470 | S | 1.890 | 2.480 | 2.484 | 0.354 |
| ◆1928 | 470 | S | 2.244 57 | 3.189 81 | 3.196 81.18 | 0.315 8 | ◆1970 | 350 | S | 1.181 30 | 1.654 42 | 1.663 42.24 | 0.276 7 |
| ◆1932 | 490 | S | 2.205 56 | 2.677 68 | 2.683 68.15 | 0.177 4.50 | 1971 | 470 | S | 1.969 | 2.520 | 2.524 | 0.256 |
| ◆1932S | 490 | S | 2.205 56 | 2.677 68 | 2.683 68.15 | 0.177 4.50 | ◆1973 | 250 | S | 1.890 48 | 2.559 65 | 2.565 65.15 | 0.319 8.10 |
| ◆1935 | 470 | S | 2.480 63 | 3.543 90 | 3.550 90.17 | 0.276 7 | ◆1974 | 970 | S | 1.969 50 | 2.638 67 | 2.649 67.29 | 0.433 11 |
| ◆1936 | # | S | 1.929 49 | 2.520 64 | 2.531 64.29 | 0.236 6 | ◆1975 | 320 | S | 2.047 52 | 2.480 63 | 2.489 63.23 | 0.315 8 |
| ◆1937 | # | S | 1.850 47 | 2.520 64 | 2.531 64.29 | 0.236 6 | ◆1975S | 320 | S | 2.047 52 | 2.480 63 | 2.489 63.23 | 0.315 8 |
| ◆1938 | # | S | 1.772 45 | 2.520 64 | 2.531 64.29 | 0.354 9 | ◆1979→ | 470 | N | 1.772 45 | 2.953 75 | 2.959 75.16 | 0.472 12 |
| ◆1939 | # | S | 1.772 45 | 2.520 64 | 2.531 64.29 | 0.354 9 | ◆1980→ | 320 | H | 1.378 35 | 1.969 50 | 1.980 50.29 | 0.276 7 |
| ◆1940→ | 320 | N | 1.378 35 | 1.949 49.50 | 1.962 49.83 | 0.394 10 | ◆1981→ | 350 | N | 1.181 30 | 1.772 45 | 1.781 45.24 | 0.315 8 |
| ◆1941 | 470 | S | 1.988 51 | 3.051 77.50 | 3.057 77.65 | 0.551 14 | ◆1984 | 250 | S | 2.244 57 | 2.638 67 | 2.649 67.29 | 0.236 6 |
| ◆1943 | 440 | S | 1.772 45 | 2.843 72.20 | 2.854 72.49 | 0.295 7.50 | ◆1985 | 480 | S | 2.362 60 | 3.543 90 | 3.550 90.17 | 0.551 14 |
| 1945← | 320 | H | 3.228 | 4.134 | 4.146 | 0.512 | ◆1985S | 480 | S | 2.362 60 | 3.543 90 | 3.550 90.17 | 0.551 14 |
| ◆1948 | 350 | S | 1.969 50 | 2.677 68 | 2.688 68.28 | 0.315 8 | ◆1986 | 480 | S | 2.835 72 | 3.465 88 | 3.474 88.25 | 0.276 7 |
| 1949 | 480 | S | 1.875 | 2.441 | 2.447 | 0.325 | ◆1986S | 480 | S | 2.835 72 | 3.465 88 | 3.474 88.25 | 0.276 7 |
| ◆1950 | 410 | S | 1.614 41 | 2.087 53 | 2.093 53.16 | 0.276 7 | 1987 | 330 | N | 1.375 | 1.937 | 1.954 | 0.235 |
| ◆1951 | 870 | S | 1.772 45 | 2.520 64 | 2.531 64.29 | 0.354 9 | ◆1987S | 330 | N | 1.375 | 1.937 | 1.954 | 0.235 |
| | | | | | | | 1989 | 470 | S | 1.126 | 1.693 | 1.699 | 0.256 |
| | | | | | | | ◆1990→ | 320 | N | 1.063 27 | 1.693 43 | 1.702 43.23 | 0.354 9 |

| Part Number | Style | Matl | Shaft | Bore | O.D. | Width | Part Number | Style | Matl | Shaft | Bore | O.D. | Width |
|-------------|-------|------|-------------|-------------|----------------|----------------|-------------|-------|------|--------------|--------------|-----------------|----------------|
| ◆1992 | 470 | S | 1.772 45 | 2.559 65 | 2.565 65.15 | 0.197 5 | ◆2261← | 470 | V | 4.331 110 | 5.118 130 | 5.132 130.35 | 0.394 10 |
| ◆1993 | 470 | S | 2.205 56 | 2.874 73 | 2.880 73.15 | 0.295 7.50 | 2286 | 740 | S | 2.199 | 3.519 | 3.523 | 0.590 |
| | | | | | | | 2287 | 2740 | S | 0.750 | 1.250 | 1.254 | 0.280 |
| ◆1994 | 320 | S | 1.890 48 | 2.756 70 | 2.767 70.28 | 0.354 9 | 2297V← | 250 | V | 6.000 | 6.750 | 6.757 | 0.500 |
| 1999 | 480 | S | 1.625 | 2.250 | 2.256 | 0.311 | 2300 | # | S | 1.318 | 2.620 | 2.625 | 1.000 |
| ◆2001← | 320 | S | 2.362 60 | 3.228 82 | 3.239 82.27 | 0.472 12 | 2377 | 350 | V | 3.750 | 4.501 | 4.506 | 0.362 |
| ◆2002 | 470 | S | 2.126 54 | 2.559 65 | 2.565 65.15 | 0.512 13 | ◆2440 | 690 | N | 1.772 45 | 2.362 60 | 2.372 60.25 | 0.425 10.80 |
| ◆2003 | 470 | S | 1.417 36 | 2.165 55 | 2.169 55.09 | 0.256 6.50 | 2443 | 250 | N | 1.375 | 1.952 | 1.953 | 0.500 |
| ◆2003N | 470 | S | 1.417 36 | 2.165 55 | 2.169 55.09 | 0.256 6.50 | 2457← | # | N | 2.125 | 2.880 | 2.885 | 0.550 |
| ◆2004 | # | S | 0.551 14 | 0.945 24 | 0.952 24.17 | 0.500 12.70 | 2465 | # | S | 1.687 | 2.500 | 2.511 | 1.535 |
| ◆2007→ | # | S | 1.378 35 | 2.205 56 | 2.216 56.29 | 0.315 8 | 2503→ | 480 | N | 1.100 | 1.572 | 1.578 | 0.308 |
| ◆2007N→ | # | S | 1.378 35 | 2.205 56 | 2.216 56.29 | 0.315 8 | 2503N→ | 480 | N | 1.100 | 1.572 | 1.578 | 0.308 |
| ◆2007S→ | # | S | 1.378 35 | 2.205 56 | 2.216 56.29 | 0.315 8 | 2505 | 890 | S | 4.625 | 6.186 | 6.192 | 1.250 |
| ◆2008 | # | S | 1.260 32 | 2.126 54 | 2.132 54.15 | 0.354 9 | 2506← | 790 | S | 1.563 | 2.372 | 2.378 | 0.335 |
| ◆2008S | # | S | 1.260 32 | 2.126 54 | 2.132 54.15 | 0.354 9 | 2628 | 640 | H | 6.204 | 7.328 | 7.336 | 0.562 |
| ◆2009 | # | N | 1.496 38 | 2.480 63 | 2.487 63.17 | 0.394 10 | 2655← | 790 | N | 1.374 | 2.244 | 2.250 | 0.374 |
| ◆2009S | # | N | 1.496 38 | 2.480 63 | 2.487 63.17 | 0.394 10 | 2658 | 750 | H | 1.614 | 2.435 | 2.441 | 0.300 |
| ◆2011→ | 400 | N | 1.575 40 | 2.953 75 | 2.959 75.16 | 0.472 12 | 2674 | 890 | S | 2.874 | 4.174 | 4.181 | 0.374 |
| ◆2011S→ | 400 | N | 1.575 40 | 2.953 75 | 2.959 75.16 | 0.472 12 | 2689S↔ | 250 | S | 1.875 | 2.868 | 2.879 | 0.551 |
| ◆2012→ | 320 | Y | 1.673 43 | 2.165 55 | 2.176 55.27 | 0.236 6 | 2692→ | 760 | N | 1.876 | 2.561 | 2.567 | 0.528 |
| ◆2012S→ | 320 | Y | 1.693 43 | 2.165 55 | 2.176 55.27 | 0.236 6 | 2791 | 330 | S | 9.000 | 10.376 | 10.384 | 0.625 |
| ◆2012V→ | 320 | V | 1.693 43 | 2.165 55 | 2.176 55.27 | 0.236 6 | 2792 | 330 | S | 9.910 | 10.997 | 11.005 | 0.625 |
| ◆2016 | # | S | 1.181 30 | 1.772 45 | 1.780 45.20 | 0.591 15 | 2822V | 410 | V | 2.062 | 3.000 | 3.005 | 0.375 |
| ◆2025 | 320 | V | 1.654 42 | 2.362 60 | 2.373 60.27 | 0.276 7 | 2942 | 470 | N | 1.875 | 2.560 | 2.565 | 0.406 |
| ◆2027 | 350 | S | 0.591 15 | 0.945 24 | 0.953 24.20 | 0.276 7 | 2955→ | 710 | N | 1.709 | 2.209 | 2.215 | 0.354 |
| 2043→ | 470 | S | 1.940 | 2.762 | 2.768 | 0.500 | 3016 | 450 | S | 5.875 | 8.001 | 8.007 | 0.750 |
| 2055 | 470 | S | 3.468 | 4.626 | 4.631 | 0.625 | ◆3051→ | 330 | H | 1.654 42 | 2.165 55 | 2.176 55.27 | 0.315 8 |
| 2064 | 330 | S | 1.000 | 1.375 | 1.381 | 0.189 | ◆3051N→ | 330 | H | 1.654 42 | 2.165 55 | 2.176 55.27 | 0.315 8 |
| 2081↔ | 410 | S | 2.844 | 3.938 | 3.945 | 0.500 | 3054 | 410 | H | 5.500 | 6.625 | 6.632 | 0.670 |
| 2146↔ | # | S | 1.687 | 2.557 | 2.568 | 0.464 | 3083 | 480 | H | 1.650 | 2.282 | 2.336 | 0.768 |
| 2194← | 880 | N | 1.500 | 2.372 | 2.376 | 0.420 | 3087 | 2810 | S | 2.048 | 2.728 | 2.734 | 0.250 |
| 2207 | 2900 | S | 1.815 | 2.562 | 2.566 | 0.562 | 3095 | 690 | S | 2.240 | 3.190 | 3.194 | 0.450 |
| 2218 | 470 | H | 3.750 | 4.751 | 4.756 | 0.500 | 3100 | 890 | S | 4.750 | 6.186 | 6.192 | 1.250 |
| 2222 | 2860 | S | 2.750 | 3.772 | 3.779 | 0.311 | 3103→ | 690 | S | 2.188 | 3.188 | 3.199 | 0.618 |
| 2260 | 480 | V | 3.125 | 3.936 | 3.943 | 0.512 | 3116← | 710 | N | 1.375 | 2.374 | 2.378 | 0.500 |
| | | | | | | | 3116N← | 710 | N | 1.375 | 2.374 | 2.378 | 0.500 |
| | | | | | | | 3136N | 470 | N | 2.500 | 4.938 | 4.943 | 0.500 |
| | | | | | | | 3143N | 740 | N | 3.000 | 5.500 | 5.506 | 0.531 |
| | | | | | | | 3173↔ | 480 | N | 1.937 | 2.686 | 2.697 | 0.311 |
| | | | | | | | 3186 | | S | 1.875 | 3.150 | 3.146 | 0.930 |
| | | | | | | | 3195 | 590 | S | 1.875 | 3.150 | 3.146 | 0.930 |
| | | | | | | | 3199 | 480 | S | 1.250 | 1.955 | 1.960 | 0.256 |
| | | | | | | | 3199S | 480 | S | 1.250 | 1.955 | 1.960 | 0.256 |
| | | | | | | | 3210 | 490 | S | 2.437 | 3.624 | 3.628 | 0.375 |
| | | | | | | | 3214↔ | 480 | S | 1.365 | 1.955 | 1.961 | 0.438 |
| | | | | | | | 3227→ | 830 | N | 1.748 | 2.623 | 2.629 | 0.313 |
| | | | | | | | 3292 | 890 | S | 5.375 | 6.875 | 6.882 | 1.000 |

| Part Number | Style | Matl | Shaft | Bore | O.D. | Width |
|------------------|-------|------|-------------|--------------|-----------------|-------------|
| 3341 | 1000 | H | 4.812 | 5.544 | 5.552 | 0.535 |
| 3348 | 470 | S | 1.299 | 2.044 | 2.050 | 0.490 |
| ◆ 3357 | 2830 | S | 1.496 38 | 2.047 52 | 2.053 52.15 | 0.236 6 |
| 3385 | 740 | S | 3.180 | 4.180 | 4.185 | 0.750 |
| ◆ 3392 | 470 | S | 1.575 40 | 2.165 55 | 2.172 55.17 | 0.315 8 |
| 3393 ← | 320 | V | 2.375 | 3.002 | 3.013 | 0.437 |
| 3395 ↔ | 470 | S | 1.437 | 2.062 | 2.068 | 0.311 |
| 3404 | 750 | H | 1.996 | 2.743 | 2.751 | 0.325 |
| ◆ 3459 ↔ | 740 | N | 1.575 40 | 2.283 58 | 2.290 58.17 | 0.354 9 |
| ◆ 3459S ↔ | 740 | N | 1.575 40 | 2.283 58 | 2.290 58.17 | 0.354 9 |
| ◆ 3476 → | 320 | N | 1.260 32 | 1.850 47 | 1.859 47.22 | 0.315 8 |
| ◆ 3476S → | 320 | N | 1.260 32 | 1.850 47 | 1.859 47.22 | 0.315 8 |
| 3492V | 480 | V | 5.000 | 5.751 | 5.756 | 0.500 |
| 3543 | 570 | H | 1.378 | 2.162 | 2.167 | 0.575 |
| 3553 | 2840 | S | 2.201 | 2.735 | 2.741 | 0.197 |
| 3583 | 830 | H | 1.748 | 3.229 | 3.236 | 0.335 |
| 3583S | 830 | H | 1.748 | 3.229 | 3.236 | 0.335 |
| 3591 | 900 | N | 2.750 | 5.501 | 5.506 | 1.266 |
| 3592 | 900 | N | 3.000 | 5.501 | 5.506 | 1.266 |
| 3604 → | 860 | V | 1.812 | 2.777 | 2.781 | 0.575 |
| 3606 | 70S | N | 1.850 | 69.000 | 2.717 | 0.398 |
| 3618 | 860 | S | 1.812 | 2.623 | 2.627 | 0.455 |
| 3622 | 740 | S | 1.654 | 2.518 | 2.525 | 0.394 |
| 3622S | 740 | S | 1.654 | 2.518 | 2.525 | 0.394 |
| 3638 → | 480 | N | 1.125 | 1.624 | 1.628 | 0.190 |
| ◆ 3655 → | 320 | N | 1.378 35 | 2.047 52 | 2.058 52.27 | 0.315 8 |
| ◆ 3655S → | 320 | N | 1.378 35 | 2.047 52 | 2.058 52.27 | 0.315 8 |
| 3667 | 2710 | S | 0.690 | 0.997 | 1.003 | 0.295 |
| 3677 | 2870 | S | 1.500 | 1.989 | 1.995 | 0.250 |
| 3698 ← | 320 | H | 2.988 | 3.740 | 3.751 | 0.315 |
| 3698 | 320 | H | 2.988 | 3.740 | 3.751 | 0.315 |
| 3700 | 860 | S | 1.812 | 3.000 | 3.005 | 0.500 |
| ◆ 3723 | 660 | S | 2.165 55 | 2.756 70 | 2.761 70.13 | 0.354 9 |
| 3732S | 480 | S | 1.062 | 1.575 | 1.581 | 0.250 |
| ◆ 3743 | 660 | S | 1.969 50 | 2.559 65 | 2.565 65.15 | 0.354 9 |
| 3747 ↔ | 690 | S | 1.705 | 3.084 | 3.090 | 0.461 |
| ◆ 3771 → | 350 | H | 1.378 35 | 1.969 50 | 1.980 50.29 | 0.276 7 |
| ◆ 3772 ← | 350 | H | 3.465 88 | 4.252 108 | 4.263 108.28 | 0.433 11 |
| ◆ 3774S → | 350 | H | 1.654 42 | 2.205 56 | 2.218 56.34 | 0.276 7 |
| ◆ 3774 → | 350 | H | 1.654 42 | 2.205 56 | 2.218 56.34 | 0.276 7 |

| Part Number | Style | Matl | Shaft | Bore | O.D. | Width |
|------------------|-------|------|-------------|-------------|----------------|----------------|
| 3783 | 650 | H | 2.875 | 3.623 | 3.628 | 0.500 |
| 3783H | 650 | H | 2.875 | 3.623 | 3.628 | 0.500 |
| 3794 | 490 | S | 2.010 | 2.650 | 2.655 | 0.363 |
| 3807 | 640 | H | 6.328 | 7.329 | 7.336 | 0.500 |
| 3813 | 640 | H | 2.625 | 3.695 | 3.700 | 0.500 |
| ◆ 3816 | 2710 | S | 0.709 18 | 1.181 30 | 1.185 30.10 | 0.264 6.70 |
| 3893V | 450 | V | 3.750 | 4.750 | 4.756 | 0.500 |
| 3894V | 480 | V | 2.500 | 3.499 | 3.505 | 0.500 |
| 3896 → | 760 | S | 1.941 | 2.909 | 2.915 | 0.370 |
| 3905 | 760 | N | 3.000 | 4.938 | 4.943 | 0.740 |
| ◆ 3907 | 570 | N | 1.181 30 | 2.283 58 | 2.287 58.09 | 0.374 9.50 |
| 3909 ← | 350 | V | 3.625 | 4.240 | 4.251 | 0.390 |
| 3942 | 2840 | S | 2.500 | 3.226 | 3.231 | 0.190 |
| 3945 | 480 | N | 2.328 | 3.000 | 3.006 | 0.375 |
| 3946 | 860 | S | 2.328 | 3.000 | 3.006 | 0.375 |
| 4019N | 470 | N | 2.432 | 3.070 | 3.075 | 0.227 |
| 4040R ← | # | N | 1.378 | 2.097 | 2.105 | 0.305 |
| ◆ 4052R ↔ | # | N | 1.378 35 | 2.047 52 | 2.052 52.13 | 0.315 8 |
| 4072 → | 830 | N | 1.787 | 3.229 | 3.240 | 0.335 |
| 4072N → | 830 | N | 1.787 | 3.229 | 3.240 | 0.335 |
| 4099 | 2870 | S | 1.673 | 2.162 | 2.168 | 0.285 |
| 4122 | 470 | S | 2.881 | 3.429 | 3.436 | 0.291 |
| 4131 | 2870 | S | 2.312 | 3.000 | 3.004 | 0.375 |
| 4141 | # | N | 1.574 | 2.676 | 2.683 | 0.500 |
| 4143 | # | N | 1.625 | 2.415 | 2.440 | 0.500 |
| 4148 | 2860 | S | 2.000 | 2.623 | 2.629 | 0.260 |
| 4160 | 2810 | S | 2.420 | 3.000 | 3.006 | 0.394 |
| ◆ 4175 | # | S | 1.575 40 | 2.047 52 | 2.055 52.20 | 0.354 9 |
| 4189H | 750 | H | 1.996 | 3.111 | 3.120 | 0.344 |
| 4244 | 720 | S | 1.552 | 2.750 | 2.755 | 0.590 |
| 4249 | 2870 | S | 1.809 | 2.361 | 2.366 | 0.370 |
| 4250 ↔ | 740 | S | 2.500 | 3.297 | 3.304 | 0.327 |
| 4278 | 860 | V | 1.812 | 3.091 | 3.097 | 0.485 |
| 4291V | # | V | 4.375 | 5.375 | 5.425 | 0.500 |
| ◆ 4307V ← | 320 | V | 2.992 76 | 3.622 92 | 3.633 92.28 | 0.394 10 |
| 4333N | 790 | N | 1.886 | 2.699 | 2.704 | 0.350 |
| 4353 | # | V | 7.375 | 9.615 | 9.622 | 0.979 |
| 4353V | # | V | 7.375 | 9.615 | 9.622 | 0.979 |
| 4359V ← | 320 | V | 3.740 | 4.525 | 4.536 | 0.492 |
| 4370N ← | 880 | N | 1.503 | 2.376 | 2.383 | 0.420 |
| 4458V | # | V | 0.984 | 1.499 | 1.504 | 0.250 |
| 4503N ↔ | 790 | N | 1.886 | 2.750 | 2.765 | 1.375 |
| 4525V | 720 | V | 2.500 | 4.035 | 4.040 | 0.634 |
| ◆ 4528N | 660 | N | 1.890 48 | 2.559 65 | 2.565 65.15 | 0.965 24.50 |
| 4529N → | 680 | N | 1.375 | 2.047 | 2.052 | 0.330 |

| Part Number | Style | Matl | Shaft | Bore | O.D. | Width | Part Number | Style | Matl | Shaft | Bore | O.D. | Width |
|----------------|-------|------|-------------|-------------|----------------|---------------|---------------|-------|------|-------|-------|-------|-------|
| 4530 ← | 960 | N | 1.502 | 2.126 | 2.132 | 0.492 | 5121 | 2810 | S | 1.938 | 2.622 | 2.628 | 0.266 |
| 4532N | 930 | N | 1.375 | 3.542 | 3.549 | 0.397 | 5123 | 2800 | S | 2.560 | 3.090 | 3.095 | 0.256 |
| 4539H | 750 | H | 2.367 | 3.366 | 3.374 | 0.257 | 5124 | 480 | S | 1.328 | 2.227 | 2.233 | 0.313 |
| 4543V → | # | V | 3.250 | 4.249 | 4.260 | 0.662 | 5126 → | 740 | S | 1.875 | 2.813 | 2.817 | 0.500 |
| 4544V → | # | V | 3.253 | 5.500 | 5.511 | 0.630 | 5128N | 320 | N | 3.375 | 3.948 | 3.955 | 0.375 |
| 4561V ← | # | V | 2.503 | 3.428 | 3.239 | 0.709 | 5131 | # | S | 1.318 | 2.280 | 2.285 | 0.354 |
| 4562V → | # | V | 3.003 | 4.937 | 4.948 | 0.662 | 5133 | 480 | V | 1.812 | 2.562 | 2.566 | 0.312 |
| 4563V | # | V | 2.938 | 3.937 | 3.947 | 0.552 | 5210 | 350 | N | 1.299 | 3.539 | 3.528 | 1.575 |
| 4564V | # | V | 2.748 | 3.876 | 3.886 | 0.552 | 5711 | 410 | S | 1.750 | 2.983 | 2.987 | 0.438 |
| 4583 ← | 860 | N | 1.502 | 2.377 | 2.381 | 0.500 | 5711S | 410 | S | 1.750 | 2.983 | 2.987 | 0.438 |
| 4598 → | 830 | N | 1.998 | 2.878 | 2.882 | 0.340 | 5727 | 2050 | F | 1.625 | 2.722 | 2.727 | 0.406 |
| 4613N ↔ | 570 | N | 1.377 | 2.874 | 2.881 | 0.693 | 5751 | 340 | S | 3.125 | 4.562 | 4.567 | 1.198 |
| 4614N ↔ | 570 | N | 1.377 | 2.162 | 2.167 | 0.744 | 5751S | 340 | S | 3.125 | 4.562 | 4.567 | 1.198 |
| 4615V → | 830 | V | 1.654 | 2.638 | 2.643 | 0.282 | 5756 | 290 | F | 2.062 | 3.151 | 3.156 | 0.240 |
| 4624V | 860 | V | 2.503 | 3.629 | 3.633 | 0.900 | 5778 | 720 | N | 1.552 | 3.160 | 3.167 | 0.608 |
| 4674N ↔ | # | N | 1.605 | 2.795 | 2.804 | 0.364 | 5778V | 720 | V | 1.552 | 3.160 | 3.167 | 0.608 |
| 4701 | 490 | N | 0.408 | 1.004 | 1.008 | 0.208 | 5796 | 2010 | S | 1.562 | 2.686 | 2.690 | 0.375 |
| 4701N | 490 | N | 0.408 | 1.004 | 1.008 | 0.208 | 5797 | # | S | 2.031 | - | 4.156 | 0.781 |
| 4739 | 2820 | S | 2.000 | 2.562 | 2.568 | 0.224 | 5857 | 290 | F | 1.000 | 1.499 | 1.503 | 0.312 |
| 4740 | 2820 | S | 2.180 | 2.999 | 3.003 | 0.250 | 5865 | 40S | S | 2.000 | 2.750 | 2.754 | 0.187 |
| 4741 ← | # | N | 2.200 | 3.022 | 3.028 | 0.422 | 5872S | 450 | S | 1.375 | 2.000 | 2.006 | 0.311 |
| 4762N ↔ | 740 | N | 1.618 | 2.841 | 2.847 | 0.500 | 5877 | 50S | S | 2.062 | 2.842 | 2.846 | 0.450 |
| 4763S | # | S | 1.625 | 2.562 | 2.566 | 0.437 | 5924 | 40S | S | 2.312 | 3.313 | 3.318 | 0.375 |
| 4764 ← | 860 | N | 1.598 | 2.476 | 2.483 | 0.420 | 5965 | 80S | S | 3.500 | 4.437 | 4.437 | 0.437 |
| 4795V ↔ | 740 | V | 1.391 | 2.482 | 2.488 | 0.344 | 5976S | 340 | S | 0.875 | 1.245 | 1.256 | 0.187 |
| 4810V → | # | V | 3.003 | 3.751 | 3.761 | 0.570 | 6064 | 290 | F | 1.875 | 2.965 | 2.971 | 0.234 |
| 4813V → | 860 | V | 1.178 | 2.447 | 2.452 | 0.500 | 6074 | 290 | F | 1.937 | 3.622 | 3.627 | 0.375 |
| 4857 ↔ | 860 | V | 1.400 | 2.282 | 2.293 | 0.394 | 6077 | # | S | 2.062 | - | 4.735 | 0.468 |
| 4874N | # | N | 2.748 | 3.543 | 3.555 | 0.591 | 6090S | 2730 | S | 2.000 | 2.630 | 2.750 | 0.562 |
| 4875N → | # | N | 3.250 | 4.249 | 4.282 | 0.650 | 6101 | 290 | F | 1.718 | 2.996 | 3.000 | 0.375 |
| 4876N → | # | N | 2.748 | 5.500 | 5.512 | 0.850 | 6127 | 310 | S | 1.875 | 4.010 | 4.014 | 1.000 |
| ◆ 4898 | 660 | S | 2.047 52 | 2.598 66 | 2.603 66.12 | 0.295 7.50 | 6163S | 210 | S | 2.000 | 2.875 | 2.879 | 0.703 |
| ◆ 4899 | 660 | S | 2.205 56 | 2.953 75 | 2.958 75.13 | 0.260 6.60 | 6186 | 10S | S | 2.187 | 3.189 | 3.194 | 0.718 |
| ◆ 4901 | 400 | N | 1.378 35 | 2.441 62 | 2.452 62.28 | 0.354 9 | 6200 | 90S | S | 1.375 | 2.250 | 2.252 | 1.062 |
| ◆ 4904 | 660 | S | 1.929 49 | 2.441 62 | 2.447 62.15 | 0.335 8.50 | 6270 | 210 | S | 3.937 | 5.371 | 5.377 | 0.906 |
| 4934 | 790 | N | 1.503 | 2.374 | 2.379 | 0.374 | 6283S | 260 | S | 1.610 | 2.500 | 2.531 | 0.300 |
| 4941V | # | V | 1.552 | 3.160 | 3.165 | 0.608 | 6312 | 80S | S | 1.500 | 2.187 | 2.187 | 0.500 |
| 4950 | 880 | N | 1.748 | 2.619 | 2.627 | 0.330 | 6329S | 70S | S | 4.687 | 5.751 | 5.756 | 0.750 |
| ◆ 4989 | # | S | 1.437 37 | 2.441 62 | 2.451 62.26 | 0.374 9.50 | 6336S | 260 | S | 1.562 | 2.684 | 2.701 | 0.250 |
| ◆ 4990 | 2810 | S | 2.047 52 | 2.677 68 | 2.688 68.28 | 0.299 7.60 | 6357S | 920 | S | 0.796 | 1.499 | 1.503 | 0.625 |
| 5070 | 290 | F | 1.813 | 2.965 | 2.969 | 0.250 | 6358 | 470 | S | 3.187 | 4.650 | 4.625 | 0.442 |
| 5109 | # | S | 2.497 | 3.245 | 3.248 | 0.485 | 6370N | 330 | N | 1.299 | 1.828 | 1.832 | 0.375 |
| 5113 | 2030 | S | 2.000 | 2.745 | 2.751 | 0.230 | 6380 | 290 | F | 2.125 | 3.436 | 3.440 | 0.625 |
| 5115 | 470 | S | 1.500 | 2.250 | 2.256 | 0.311 | 6380S | 290 | F | 2.125 | 3.436 | 3.440 | 0.625 |
| 5119 | 490 | S | 2.375 | 3.265 | 3.270 | 0.495 | 6389 | 290 | F | 2.125 | 3.126 | 3.131 | 0.484 |
| | | | | | | | 6426 | 40S | S | 1.500 | 2.502 | 2.506 | 0.375 |
| | | | | | | | 6460S | 410 | S | 1.875 | 2.758 | 2.762 | 0.500 |
| | | | | | | | 6481S | 510 | S | 3.125 | 7.000 | 8.250 | 1.003 |
| | | | | | | | 6522S | 340 | S | 0.984 | 1.500 | 1.508 | 0.410 |
| | | | | | | | 6545 | 210 | F | 1.500 | 2.062 | 2.066 | 0.250 |

| Part Number | Style | Matl | Shaft | Bore | O.D. | Width | Part Number | Style | Matl | Shaft | Bore | O.D. | Width |
|-----------------|-------|------|-------|-------|-------|-------|----------------|-------|------|-------|--------|--------|-------|
| 6547 | 2010 | S | 1.875 | 2.996 | 3.001 | 0.375 | 7105S | # | S | 1.875 | 3.375 | 4.812 | 0.312 |
| 6565N | 410 | N | 4.125 | 4.999 | 5.004 | 0.468 | 7131 | # | S | 8.000 | 11.624 | 11.632 | 0.750 |
| 6575S | 2000 | S | 2.474 | 3.543 | 3.548 | 0.285 | 7154S | # | S | 2.531 | 4.540 | 6.125 | 0.500 |
| 6584S | 740 | S | 3.250 | 4.500 | 4.507 | 0.718 | 7186S | 2000 | S | 1.812 | 2.718 | 2.722 | 0.270 |
| 6590S | 2040 | S | 2.093 | 2.716 | 2.721 | 0.406 | 7188S | 330 | S | 0.625 | 0.999 | 1.005 | 0.252 |
| 6597S | 340 | S | 1.375 | 1.829 | 1.837 | 0.187 | 7208S | 2000E | S | 3.250 | 4.500 | 4.600 | 0.315 |
| 6612S | # | S | 3.500 | 5.250 | 5.258 | 0.562 | 7214 | 490 | S | 0.750 | 1.031 | 1.035 | 0.313 |
| 6626 | 440 | S | 2.125 | 2.875 | 2.881 | 0.252 | 7235S | 320 | S | 1.473 | 1.971 | 1.979 | 0.562 |
| 6626S | 40S | S | 2.125 | 2.875 | 2.881 | 0.252 | 7245 | 40S | S | 1.375 | 2.502 | 2.506 | 0.250 |
| 6635S | 450 | S | 4.375 | 6.064 | 6.071 | 0.625 | 7300S | 790 | N | 1.685 | 2.500 | 2.506 | 1.535 |
| 6636S | 350 | S | 2.187 | 3.187 | 3.194 | 0.687 | 7338N | 560 | N | 3.000 | 3.686 | 3.702 | 0.523 |
| 6643S | 520 | S | 2.750 | - | 6.200 | 0.700 | 7354N | 80S | N | 4.375 | 5.373 | 5.500 | 0.570 |
| 6644 | 50S | S | 3.125 | 4.562 | 4.567 | 0.760 | 7378 | 50S | S | 5.062 | 6.994 | 7.004 | 1.312 |
| 6649 | 520 | S | 3.125 | - | 8.250 | 0.571 | 7381S | 240 | S | 1.687 | 2.684 | 2.706 | 0.250 |
| 6663S | 890 | S | 4.750 | 6.618 | 6.625 | 1.141 | 7399S | 240 | S | 0.625 | 0.937 | 0.945 | 0.187 |
| 6668S | 330 | S | 1.375 | 1.875 | 1.878 | 0.187 | 7412S | 480 | S | 1.250 | 1.752 | 1.758 | 0.252 |
| 6703S | 350 | S | 1.750 | 2.250 | 2.258 | 0.187 | 7457N → | 10S | N | 1.656 | 2.623 | 2.627 | 0.455 |
| 6704 | 10S | S | 1.125 | 1.874 | 1.878 | 0.625 | 7486S | 350 | S | 1.750 | 2.374 | 2.380 | 0.311 |
| 6712NA | 740 | N | 1.875 | 2.760 | 2.766 | 0.402 | 7512SSO | 510 | S | 2.500 | 4.500 | 6.125 | 0.400 |
| 6759S | 10S | S | 1.500 | 1.997 | 2.001 | 0.531 | 7537S | 240 | S | 1.500 | 2.062 | 2.068 | 0.219 |
| 6760S | 350 | S | 1.375 | 2.062 | 2.073 | 0.375 | 7568 | # | H | 2.222 | 3.543 | 3.548 | 0.760 |
| 6780S | 210 | S | 2.875 | 4.125 | 4.130 | 0.812 | 7581H | 480 | H | 2.500 | 3.499 | 3.506 | 0.500 |
| 6781 | 2010 | S | 1.796 | 2.725 | 2.730 | 0.500 | 7600S | 470 | S | 1.825 | 2.750 | 2.754 | 0.468 |
| 6785 | 350 | F | 2.480 | 3.310 | 3.316 | 0.500 | 7607 | 2810 | F | 1.730 | 2.336 | 2.342 | 0.250 |
| 6808 | 45 | N | 1.875 | 3.160 | 3.165 | 0.562 | 7686S | 250 | S | 1.250 | 2.250 | 2.254 | 0.435 |
| 6815 | 2860 | S | 1.940 | 2.500 | 2.502 | 0.250 | 7687S | 470 | S | 1.375 | 2.500 | 2.506 | 0.313 |
| 6818 | 710 | S | 1.740 | 3.000 | 3.008 | 0.500 | 7692S ← | 790 | S | 1.500 | 2.372 | 2.378 | 0.813 |
| 6832S | 2040 | S | 1.125 | 1.935 | 1.942 | 0.625 | 7700S | 210 | S | 4.625 | 6.622 | 6.629 | 1.093 |
| 6835S | 330 | S | 0.750 | 1.250 | 1.256 | 0.250 | 7715S | # | S | 1.372 | 2.250 | 2.515 | 1.197 |
| 6840S | 40S | S | 1.730 | 2.336 | 2.342 | 0.250 | 7750 | 480 | S | 0.750 | 1.125 | 1.131 | 0.189 |
| 6847S | # | S | 1.000 | 1.250 | 1.254 | 0.536 | 7751H | 330 | H | 1.968 | 2.686 | 2.690 | 0.370 |
| 6863S | 350 | S | 0.437 | 1.000 | 1.009 | 0.250 | 7780 | 40S | S | 2.667 | 3.751 | 3.756 | 0.500 |
| 6864S | 450 | S | 4.050 | 5.501 | 5.506 | 0.671 | 7780N | 40S | S | 2.667 | 3.751 | 3.756 | 0.500 |
| 6872S | 470 | S | 5.500 | 6.312 | 6.316 | 1.250 | 7781S | 2030 | S | 1.250 | 1.983 | 1.989 | 0.251 |
| 6873S | 430 | S | 5.500 | 6.500 | 6.505 | 1.125 | 7790H | # | H | 2.125 | 3.193 | 3.198 | 0.812 |
| 6906S | 2040 | S | 1.250 | 1.968 | 1.972 | 0.468 | 7834 | # | S | 1.750 | 2.502 | 2.506 | 0.680 |
| 6930 | 210 | S | 1.812 | 4.123 | 4.128 | 0.531 | 7840S | 310 | S | 0.875 | 1.250 | 1.256 | 0.181 |
| 6936S | 450 | S | 1.766 | 2.412 | 2.423 | 0.374 | 7866S | 750 | S | 4.875 | 6.375 | 6.625 | 0.500 |
| 6949S | 2740 | S | 1.750 | 2.875 | 2.880 | 0.500 | 7886S | 480 | S | 1.500 | 2.437 | 2.441 | 0.250 |
| 6954S | 440 | S | 2.062 | 3.000 | 3.006 | 0.313 | 7896S | 510 | S | 3.110 | - | 5.750 | 0.375 |
| 6960 | 40S | S | 1.830 | 2.570 | 2.574 | 0.250 | 7929S | 330 | S | 0.750 | 1.063 | 1.067 | 0.187 |
| 6985 | 290 | F | 1.875 | 2.628 | 2.633 | 0.347 | 7934S | 2040 | S | 1.875 | 2.397 | 2.408 | 0.250 |
| 6988H | 330 | H | 1.937 | 2.686 | 2.690 | 0.500 | 7937N | 410 | N | 2.250 | 3.061 | 3.066 | 0.500 |
| 7006S | 430 | S | 5.500 | 6.997 | 7.004 | 1.250 | 7941 | 440 | S | 1.125 | 1.561 | 1.567 | 0.250 |
| 7013S | 250 | S | 0.750 | 1.311 | 1.317 | 0.311 | 7994S | 440 | S | 1.563 | 2.062 | 2.068 | 0.203 |
| 7014S | 40S | S | 0.875 | 1.255 | 1.261 | 0.181 | 8059S | 250 | S | 0.968 | 1.686 | 1.690 | 0.312 |
| 7022S | 2760 | S | 1.688 | 2.328 | 2.334 | 0.281 | 8121S | 250 | N | 1.730 | 2.336 | 2.342 | 0.470 |
| 7028 | 250 | S | 0.750 | 1.375 | 1.381 | 0.252 | 8126S | 890 | S | 5.000 | 6.622 | 6.629 | 0.906 |
| 7038SA ← | 410 | S | 1.687 | 2.502 | 2.508 | 0.582 | 8133S | 480 | S | 1.362 | 2.191 | 2.197 | 0.252 |
| 7044NA | 860 | S | 1.812 | 3.000 | 3.006 | 0.374 | 8139 | # | F | 2.000 | 2.961 | 2.971 | 0.250 |

| Part Number | Style | Matl | Shaft | Bore | O.D. | Width | Part Number | Style | Matl | Shaft | Bore | O.D. | Width |
|----------------|-------|------|-------|--------|--------|-------|---------------|-------|------|-------|--------|--------|-------|
| 8160S | 320 | S | 1.562 | 2.441 | 2.445 | 0.500 | 9049 | 250 | S | 1.880 | 2.562 | 2.566 | 0.250 |
| 8165 | # | H | 1.875 | 3.000 | 3.005 | 0.625 | 9049N | 250 | S | 1.880 | 2.562 | 2.566 | 0.250 |
| 8181NA↔ | 740 | S | 1.813 | 2.623 | 2.629 | 0.433 | 9113N | 470 | V | 3.000 | 3.751 | - | 0.375 |
| 8243 | # | F | 2.125 | 3.146 | 3.153 | 0.500 | 9128S | 450 | S | 4.166 | 5.501 | 5.509 | 0.610 |
| 8293S | 480 | S | 1.238 | 2.250 | 2.254 | 0.500 | 9150S | 250 | S | 1.938 | 2.578 | 2.583 | 0.294 |
| 8312 | 2720 | S | 2.136 | 2.902 | 2.909 | 0.310 | 9178S | 40S | S | 1.687 | 2.605 | 2.609 | 0.235 |
| 8312S | 2720 | S | 2.136 | 2.902 | 2.909 | 0.310 | 9316 | 720 | N | 1.875 | 3.160 | 3.165 | 0.672 |
| 8314 | # | S | 1.796 | 2.524 | 2.800 | 0.599 | 9339S | 2780 | S | 3.500 | 4.450 | 4.455 | 0.525 |
| 8314S | # | S | 1.796 | 2.524 | 2.800 | 0.599 | 9342S | 480 | S | 1.417 | 2.614 | 2.629 | 0.500 |
| 8316→ | 320 | N | 2.008 | 2.756 | 2.767 | 0.433 | 9344S | 540 | S | 1.375 | - | 4.582 | 0.259 |
| 8316N | 320 | N | 2.008 | 2.756 | 2.767 | 0.433 | 9363S | 410 | S | 1.500 | 2.260 | 2.264 | 0.405 |
| 8362 | 330 | S | 1.875 | 2.315 | 2.316 | 0.203 | 9406S | 2790 | S | 2.000 | 2.625 | 2.631 | 0.219 |
| 8370S | 40S | S | 3.797 | 4.501 | 4.506 | 0.250 | 9449 | 740 | S | 1.885 | 2.700 | 2.706 | 0.551 |
| 8421S | 330 | S | 1.563 | 2.063 | 2.069 | 0.250 | 9487 | 680 | S | 1.187 | 1.716 | 1.720 | 0.248 |
| 8429S | # | S | 1.247 | - | 2.633 | 0.480 | 9555S | 410 | S | 9.500 | 12.499 | 12.509 | 0.687 |
| 8430S | 490 | S | 2.125 | 3.000 | 3.006 | 0.313 | 9568 | 480 | S | 1.365 | 2.374 | 2.380 | 0.435 |
| 8460N | 740 | N | 1.739 | 2.812 | 2.818 | 0.594 | 9569S | 990 | S | 1.365 | 2.260 | 2.266 | 0.313 |
| 8516N | 470 | N | 1.687 | 2.623 | 2.629 | 0.437 | 9584 | 740 | S | 3.562 | 4.755 | 4.761 | 0.550 |
| 8521S | 2000E | S | 1.873 | 2.684 | 2.684 | 0.544 | 9599S→ | 470 | S | 2.125 | 2.879 | 2.885 | 0.500 |
| 8549S | # | S | 1.372 | 4.560 | 4.567 | 0.480 | 9600S | # | S | 3.125 | 5.985 | 6.000 | 0.955 |
| 8594S | 620 | S | 1.350 | 2.571 | 2.577 | 0.539 | 9613S← | 710 | S | 1.502 | 2.378 | 2.384 | 0.469 |
| 8597S | 480 | S | 1.491 | 2.191 | 2.197 | 0.250 | 9773 | 740 | N | 2.625 | 4.564 | 4.568 | 0.718 |
| 8609 | 470 | S | 0.812 | 1.250 | 1.254 | 0.254 | 9773R | 740 | N | 2.625 | 4.564 | 4.568 | 0.718 |
| 8610→ | 740 | S | 1.524 | 2.656 | 2.662 | 0.391 | 9845→ | 470 | V | 1.766 | 2.412 | 2.418 | 0.375 |
| 8611N | 740 | S | 1.521 | 2.656 | 2.662 | 0.424 | 9864S↔ | 570 | S | 2.875 | 3.875 | 3.882 | 0.413 |
| 8620N | 470 | N | 1.645 | 2.656 | 2.660 | 0.406 | 9912 | 250 | S | 1.875 | 2.877 | 2.864 | 0.470 |
| 8622 | # | S | 1.940 | 2.813 | 2.817 | 0.428 | 9912S | 250 | S | 1.875 | 2.877 | 2.864 | 0.470 |
| 8635S | 210 | S | 5.500 | 7.624 | 7.631 | 1.250 | 9943 | # | S | 2.562 | 3.727 | 3.777 | 0.490 |
| 8650S | 10S | S | 2.125 | 2.996 | 3.001 | 0.687 | 9946N | # | N | 2.500 | 3.125 | 3.130 | 0.547 |
| 8660S↔ | 480 | S | 1.399 | 2.292 | 2.298 | 0.500 | 10059S | 470 | S | 1.500 | 2.374 | - | 0.313 |
| 8676S | 540 | S | 1.375 | - | 4.582 | 0.259 | 10543S | 10S | S | 2.000 | 2.716 | 2.720 | 0.593 |
| 8695L | 50S | S | 1.550 | 2.669 | 2.675 | 0.500 | 10684S | 10S | S | 1.562 | 2.441 | 2.445 | 0.781 |
| 8695S | 470 | S | 1.550 | 2.669 | 2.675 | 0.500 | 15003S | 410 | S | 2.625 | 3.623 | 3.628 | 0.438 |
| 8704S↔ | 330 | S | 1.893 | 2.434 | 2.440 | 0.250 | 15305S | 10S | S | 3.500 | 4.501 | 4.506 | 0.875 |
| 8705S | 2770 | S | 1.730 | 2.401 | 2.407 | 0.236 | 15379S | 10S | S | 3.750 | 4.751 | 4.756 | 0.875 |
| 8724S | 410 | S | 7.995 | 11.625 | 11.633 | 1.078 | 30308 | 30S | S | 2.125 | 3.061 | 3.066 | 0.687 |
| 8750 | 330 | S | 0.762 | 1.160 | 1.164 | 0.250 | 30365 | 30S | S | 2.125 | 2.875 | 2.879 | 0.625 |
| 8750S | 330 | S | 0.762 | 1.160 | 1.164 | 0.250 | 30737 | 410 | S | 2.250 | 3.189 | 3.149 | 0.437 |
| 8773S→ | 250 | S | 0.687 | 1.250 | 1.254 | 0.250 | 35012N | 430 | N | 2.937 | 4.003 | 4.008 | 0.625 |
| 8792S | 310 | S | 0.500 | 0.750 | 0.756 | 0.126 | 35949N | 410 | N | 2.938 | 3.938 | 3.945 | 0.500 |
| 8835S↔ | 330 | S | 1.618 | 2.575 | 2.581 | 0.489 | 37586 | # | T | 6.496 | 7.632 | 7.638 | 0.497 |
| 8871 | 2860 | S | 2.000 | 2.562 | 2.568 | 0.224 | 37921 | TPDW | T | 4.125 | 4.999 | 5.005 | 1.037 |
| 8907 | # | S | 5.937 | 6.801 | 0.000 | 1.125 | 37939 | TPDW | T | 4.000 | 4.999 | 5.005 | 0.500 |
| 8935S | 790 | S | 1.558 | 2.250 | 2.254 | 1.520 | 38832 | 940 | T | 0.875 | 1.375 | 1.379 | 0.312 |
| 8940S | 480 | S | 1.523 | 2.714 | 2.720 | 0.500 | 39044← | 900 | T | 6.238 | 8.654 | 8.661 | 0.560 |
| 8974S | 490 | S | 2.180 | 3.000 | 3.006 | 0.500 | 39140 | 940 | T | 1.375 | 2.125 | 2.129 | 0.375 |
| 8975S | 490 | S | 2.512 | 3.506 | 3.519 | 0.290 | 39302 | TW-H | T | 2.125 | 3.189 | 3.194 | 0.437 |
| 8976S | 490 | S | 3.125 | 4.175 | 4.186 | 0.295 | 39608 | TDW-H | T | 3.750 | 4.750 | 4.756 | 0.500 |
| 8998 | 440 | S | 1.996 | 2.000 | 2.878 | 0.250 | 39701 | TFW-H | T | 7.250 | 8.125 | 8.133 | 0.500 |
| 9015S | 440 | S | 2.000 | 2.565 | 2.571 | 0.500 | 39703 | TFW-H | T | 3.625 | 4.751 | 4.756 | 0.500 |

| Part Number | Style | Matl | Shaft | Bore | O.D. | Width | Part Number | Style | Matl | Shaft | Bore | O.D. | Width |
|-------------|-------|------|--------|--------|--------|-------|-------------|-------|------|-------|-------|-------|-------|
| 39705 | TFW-H | T | 3.750 | 4.750 | 4.756 | 0.500 | 39910 | TW | T | 1.000 | 1.437 | 1.441 | 0.250 |
| 39711 | TFW-H | T | 1.562 | 2.125 | 2.129 | 0.375 | 39920 | TFW-H | T | 1.562 | 2.062 | 2.067 | 0.188 |
| 39713 | TDW-H | T | 1.250 | 1.812 | 1.817 | 0.235 | 39925 | TFW-H | T | 1.781 | 2.500 | 2.505 | 0.312 |
| 39715 | # | T | 6.000 | 7.475 | 7.481 | 0.590 | 39926 | TW-H | T | 3.740 | 6.772 | 6.775 | 1.102 |
| 39717 | # | T | 2.125 | 3.189 | 3.194 | 0.437 | 39930 | TFW-H | T | 1.812 | 2.562 | 2.567 | 0.315 |
| 39719 | # | T | 2.125 | 3.189 | 3.194 | 0.437 | 39952 | TFW-H | T | 4.646 | 5.751 | 5.756 | 0.500 |
| 39723 | TFW-H | T | 4.000 | 5.000 | 5.005 | 0.500 | 39954 | TDW-H | T | 4.835 | 5.749 | 5.756 | 0.375 |
| 39732 | TW-H | T | 4.750 | 6.000 | 6.006 | 0.562 | 39956 | TDW-H | T | 5.997 | 7.125 | 7.131 | 0.500 |
| 39801 | TFW-H | T | 5.000 | 6.000 | 6.006 | 0.413 | 39958 | TFW-H | T | 5.000 | 6.125 | 6.131 | 0.500 |
| 39802 | TFW-H | T | 2.875 | 3.623 | 3.628 | 0.500 | 40027S | 40S | S | 0.750 | 1.375 | 1.379 | 0.250 |
| 39803 | TFW-H | T | 2.500 | 3.130 | 3.135 | 0.315 | 40059S | 40S | S | 0.875 | 1.499 | 1.505 | 0.252 |
| 39804 | TFW-H | T | 2.953 | 3.661 | 3.666 | 0.315 | 40063S | 40S | S | 1.500 | 2.438 | 2.444 | 0.250 |
| 39805 | TFW-H | T | 5.118 | 5.906 | 5.923 | 0.583 | 40071S | 40S | S | 1.875 | 2.623 | 2.627 | 0.250 |
| 39806→ | TFW-H | T | 5.118 | 5.906 | 5.923 | 0.571 | 40085S | 40S | S | 2.000 | 2.996 | 3.002 | 0.250 |
| 39807 | TW-H | T | 6.000 | 6.750 | 6.756 | 0.437 | 40094S | 40S | S | 1.937 | 3.189 | 3.194 | 0.250 |
| 39809 | TW-H | T | 3.125 | 4.125 | 4.130 | 0.437 | 40101S | 40S | S | 2.375 | 3.350 | 3.355 | 0.250 |
| 39813 | TW-H | T | 3.625 | 4.751 | 4.756 | 0.500 | 40140S | 40S | S | 1.250 | 1.752 | 1.756 | 0.250 |
| 39815 | TDW-H | T | 7.250 | 8.125 | 8.132 | 0.940 | 40154S | 40S | S | 1.687 | 2.502 | 2.506 | 0.250 |
| 39817 | TFW-H | T | 3.125 | 4.126 | 4.130 | 0.437 | 40157S | 40S | S | 1.000 | 2.000 | 2.011 | 0.252 |
| 39821 | TW | T | 2.272 | 2.654 | 2.661 | 0.250 | 40160S | 40S | S | 1.125 | 2.000 | 2.004 | 0.250 |
| 39823 | TDW-H | T | 6.000 | 6.750 | 6.757 | 0.625 | 40162S | 40S | S | 1.187 | 2.000 | 2.004 | 0.250 |
| 39825 | TFW-H | T | 4.750 | 6.000 | 6.006 | 0.562 | 40169S | 40S | S | 1.375 | 2.250 | 2.254 | 0.250 |
| 39827 | TDW-H | T | 4.750 | 6.000 | 6.006 | 0.562 | 40185 | 40S | S | 1.562 | 2.502 | 2.506 | 0.250 |
| 39835 | TW | T | 1.812 | 2.563 | 2.567 | 0.375 | 40208 | 40S | S | 0.968 | 1.499 | 1.503 | 0.250 |
| 39837 | TW-H | T | 3.750 | 4.750 | 4.756 | 0.500 | 40230S | 40S | S | 1.000 | 1.752 | 1.756 | 0.250 |
| 39849 | TFW-H | T | 4.375 | 5.501 | 5.506 | 0.500 | 40286 | 40S | S | 1.625 | 2.750 | 2.754 | 0.250 |
| 39851 | TFW-H | T | 2.125 | 2.875 | 2.879 | 0.437 | 40301S | 40S | S | 2.000 | 3.000 | 3.005 | 0.250 |
| 39853 | TFW-H | T | 2.125 | 2.875 | 2.879 | 0.437 | 40316S | 40S | S | 2.250 | 3.251 | 3.258 | 0.251 |
| 39861 | # | T | 6.496 | 9.600 | 9.606 | 0.540 | 40337S | 40S | S | 2.500 | 3.148 | 3.154 | 0.250 |
| 39865 | # | T | 3.543 | 6.215 | 6.220 | 0.562 | 40360S | 40S | S | 2.000 | 2.686 | 2.690 | 0.250 |
| 39867 | TW-H | T | 0.984 | 1.614 | 1.618 | 0.315 | 40370S | 40S | S | 1.968 | 2.960 | 2.964 | 0.250 |
| 39869 | # | T | 1.102 | 1.614 | 1.618 | 0.315 | 40375← | 320 | T | 3.228 | 3.791 | 3.802 | 0.315 |
| 39875 | # | T | 1.496 | 2.126 | 2.130 | 0.984 | 40382 | 40S | S | 1.500 | 1.983 | 1.987 | 0.250 |
| 39877 | TW2 | T | 1.929 | 2.563 | 2.567 | 0.315 | 40389S | 40S | S | 2.000 | 2.750 | 2.756 | 0.252 |
| 39879 | TFW-H | T | 1.299 | 1.779 | 1.784 | 0.256 | 40392 | TFW-H | T | 2.756 | 4.000 | 4.009 | 0.469 |
| 39880 | 940 | T | 5.000 | 5.999 | 6.006 | 0.413 | 40395 | 40S | S | 1.375 | 1.874 | 1.879 | 0.250 |
| 39881 | TFW-H | T | 4.993 | 6.000 | 6.006 | 0.413 | 40395S | 40S | S | 1.375 | 1.874 | 1.879 | 0.250 |
| 39882 | TFW-H | T | 3.620 | 4.625 | 4.630 | 0.400 | 40401 | 40S | S | 2.000 | 2.501 | 2.506 | 0.250 |
| 39883 | 900 | T | 6.238 | 8.655 | 8.661 | 1.100 | 40410S | 40S | S | 2.000 | 2.624 | 2.630 | 0.250 |
| 39885 | TFW-H | T | 6.198 | 7.328 | 7.336 | 0.354 | 40433S | 40S | S | 2.250 | 3.125 | 3.130 | 0.250 |
| 39886 | TDW-H | T | 6.202 | 7.329 | 7.336 | 0.377 | 40438S | 40S | S | 1.562 | 2.374 | 2.378 | 0.250 |
| 39887 | TFW-H | T | 6.204 | 7.330 | 7.336 | 0.445 | 40468 | 40S | S | 1.484 | 2.254 | 2.258 | 0.250 |
| 39888 | TFW-H | T | 6.198 | 7.328 | 7.336 | 0.445 | 40494S | 40S | S | 1.750 | 2.501 | 2.507 | 0.251 |
| 39889 | TW-H | T | 6.077 | 7.328 | 7.336 | 0.445 | 40520S | 40S | S | 2.250 | 3.000 | 3.006 | 0.250 |
| 39890 | TW-H | T | 6.077 | 7.328 | 7.336 | 0.445 | 40522S | 40S | S | 1.375 | 2.000 | 2.004 | 0.250 |
| 39893 | TFW-H | T | 9.052 | 10.709 | 10.720 | 0.625 | 40555 | 40S | S | 2.500 | 3.000 | 3.005 | 0.250 |
| 39894 | TFW-H | T | 9.052 | 10.709 | 10.720 | 0.625 | 40555S | 40S | S | 2.500 | 3.000 | 3.005 | 0.250 |
| 39899 | # | T | 11.220 | 12.250 | 12.260 | 0.945 | 40566S | 40S | S | 2.125 | 2.875 | 2.881 | 0.252 |
| 39900 | # | T | 11.220 | 12.250 | 12.260 | 0.945 | 40568S | 40S | S | 1.625 | 2.625 | 2.629 | 0.250 |
| 39904 | TFF | T | 1.312 | 1.828 | 1.833 | 0.250 | 40576S | 40S | S | 1.187 | 1.996 | 2.000 | 0.250 |

| Part Number | Style | Matl | Shaft | Bore | O.D. | Width | Part Number | Style | Matl | Shaft | Bore | O.D. | Width |
|-------------|-------|------|-------|-------|-------|-------|-------------|-------|------|--------|--------|--------|-------|
| 40652S | 40S | S | 1.250 | 2.000 | 2.011 | 0.250 | 45637S | 40S | S | 4.687 | 6.002 | 6.007 | 0.250 |
| 40769S | 40S | S | 1.313 | 2.282 | 2.286 | 0.250 | 45653S | 40S | S | 1.937 | 3.500 | 3.505 | 0.250 |
| 40973S | 40S | S | 2.093 | 3.150 | 3.156 | 0.250 | 45825S | 40S | S | 3.125 | 3.751 | 3.756 | 0.250 |
| 41013S | 40S | S | 2.093 | 2.750 | 2.754 | 0.250 | 45827S | 40S | S | 2.750 | 3.501 | 3.505 | 0.250 |
| 41026S | 40S | S | 2.375 | 3.000 | 3.005 | 0.250 | 46997S | 40S | S | 2.750 | 3.751 | 3.756 | 0.250 |
| 41075S | 40S | S | 2.250 | 3.443 | 3.447 | 0.250 | 47150S | 40S | S | 4.250 | 5.251 | 5.259 | 0.251 |
| 41163T→ | TFW-H | T | 2.625 | 3.696 | 3.700 | 0.500 | 477055S | 47 | S | 3.330 | 4.125 | 4.130 | 0.562 |
| 41224S | 40S | S | 1.000 | 1.499 | 1.503 | 0.250 | 50027S | 450 | S | 0.750 | 1.375 | 1.379 | 0.406 |
| 41257 | 40S | S | 1.500 | 1.989 | 1.993 | 0.250 | 50081 | 50S | S | 1.718 | 2.875 | 2.879 | 0.468 |
| 41264S | 40S | S | 0.625 | 1.250 | 1.254 | 0.250 | 50126 | 50S | S | 1.406 | 2.125 | 2.129 | 0.437 |
| 41267S | 40S | S | 0.875 | 1.375 | 1.381 | 0.250 | 50151S | 50S | S | 1.125 | 1.563 | 1.569 | 0.252 |
| 41389S | 40S | S | 0.750 | 1.250 | 1.254 | 0.250 | 50197S | 50S | S | 0.375 | 0.999 | 1.005 | 0.313 |
| 41442S | 40S | S | 0.498 | 0.998 | 1.007 | 0.251 | 50199S | 50S | S | 0.437 | 0.999 | 1.005 | 0.250 |
| 41466S | 40S | S | 0.625 | 1.124 | 1.133 | 0.250 | 50209 | 50S | S | 1.031 | 1.499 | 1.503 | 0.390 |
| 41509 | TPDW | T | 6.500 | 8.000 | 8.007 | 0.625 | 50266 | 50S | S | 1.781 | 2.623 | 2.627 | 0.500 |
| 41510 | TPDW | T | 6.500 | 8.000 | 8.007 | 0.625 | 50289 | 50S | S | 1.750 | 2.783 | 2.787 | 0.531 |
| 41526S | 40S | S | 0.500 | 1.124 | 1.128 | 0.250 | 50327 | 50S | S | 1.718 | 2.437 | 2.441 | 0.468 |
| 41536 | TPDW | T | 2.875 | 3.750 | 3.755 | 0.500 | 50385 | 50S | H | 0.375 | 0.750 | 0.756 | 0.252 |
| 41537 | TPDW | T | 2.875 | 3.750 | 3.755 | 0.500 | 50385S | 50S | S | 0.375 | 0.750 | 0.756 | 0.252 |
| 417698S | 41 | S | 3.625 | 4.376 | 4.381 | 0.375 | 50395S | 50S | S | 1.374 | 1.874 | 1.880 | 0.251 |
| 41787S | 40S | S | 1.250 | 2.062 | 2.066 | 0.250 | 50402 | 50S | S | 1.375 | 2.282 | 2.286 | 0.500 |
| 42081S | 40S | S | 1.250 | 2.250 | 2.256 | 0.250 | 50445 | 50S | S | 0.312 | 1.250 | 1.254 | 0.375 |
| 42101S | 40S | S | 2.129 | 2.891 | 2.895 | 0.250 | 50468 | 50S | S | 1.484 | 2.254 | 2.258 | 0.312 |
| 42260S | 40S | S | 1.500 | 1.938 | 1.942 | 0.250 | 50470S | 50S | S | 0.437 | 0.875 | 0.881 | 0.252 |
| 42280S | 40S | S | 0.875 | 1.250 | 1.254 | 0.250 | 50480S | 450 | S | 1.375 | - | - | 0.375 |
| 42311S | 40S | S | 1.000 | 1.438 | 1.444 | 0.250 | 50528 | 50S | S | 1.968 | 2.996 | 3.001 | 0.500 |
| 42352S | 40S | S | 1.750 | 2.250 | 2.254 | 0.250 | 50560 | 50S | S | 2.468 | 3.350 | 3.355 | 0.468 |
| 42421S | 40S | S | 1.875 | 2.750 | 2.754 | 0.250 | 50568 | 50S | T | 1.625 | 2.625 | 2.629 | 0.500 |
| 42763 | 40S | S | 1.375 | 2.282 | 2.286 | 0.250 | 50569 | 50S | T | 1.625 | 2.625 | 2.629 | 0.500 |
| 43034S | 40S | S | 2.250 | 2.875 | 2.879 | 0.250 | 50631 | 50S | S | 2.218 | 3.350 | 3.355 | 0.468 |
| 43071S | 40S | S | 1.750 | 2.438 | 2.444 | 0.251 | 50737 | 50S | S | 2.250 | 3.189 | 3.194 | 0.437 |
| 43072S | 40S | S | 1.125 | 1.564 | 1.568 | 0.250 | 51032S | 50S | S | 1.281 | 1.752 | 1.756 | 0.375 |
| 43073S | 40S | S | 2.000 | 2.717 | 2.721 | 0.250 | 51083 | 50S | S | 1.750 | 2.750 | 2.756 | 0.500 |
| 43074S | 40S | S | 1.578 | 2.000 | 2.004 | 0.250 | 51098 | 480 | S | 1.500 | 2.502 | 2.508 | 0.311 |
| 43076S | 40S | S | 1.187 | 2.047 | 2.051 | 0.250 | 51322 | 50S | S | 1.365 | 2.081 | 2.087 | 0.435 |
| 43077S | 40S | S | 2.625 | 3.484 | 3.489 | 0.250 | 55010 | 410 | S | 2.812 | 3.876 | 3.881 | 0.437 |
| 43078S | 40S | S | 1.500 | 2.192 | 2.196 | 0.250 | 55028 | 50S | S | 3.562 | 4.999 | 5.004 | 0.468 |
| 43080S | 40S | S | 0.500 | 0.875 | 0.879 | 0.218 | 55030 | 50S | S | 3.687 | 4.999 | 5.004 | 0.468 |
| 43086S | 40S | S | 2.875 | 4.003 | 4.008 | 0.250 | 55078S | 50S | S | 9.750 | 11.250 | 11.260 | 0.750 |
| 43089S | 40S | S | 1.375 | 2.374 | 2.378 | 0.250 | 55103S | 450 | S | 16.250 | 18.000 | 18.010 | 0.750 |
| 43095S | 40S | S | 0.500 | 0.749 | 0.753 | 0.093 | 55238 | 50S | S | 2.750 | 4.999 | 5.004 | 0.468 |
| 43109S | 40S | S | 2.312 | 3.065 | 3.070 | 0.281 | 55249 | 450 | S | 3.375 | 4.688 | 4.693 | 0.500 |
| 43290S | 40S | S | 2.500 | 3.125 | 3.130 | 0.250 | 55301S | 450 | S | 9.000 | 10.000 | 10.010 | 0.750 |
| 44052 | 40S | S | 2.250 | 3.310 | 3.317 | 0.375 | 55337 | 50S | S | 2.250 | 3.876 | 3.881 | 0.468 |
| 44053 | 40S | S | 1.821 | 2.623 | 2.627 | 0.250 | 55353 | 50S | S | 3.625 | 4.839 | 4.844 | 0.500 |
| 45013S | 40S | S | 3.000 | 4.003 | 4.008 | 0.250 | 55357 | 50S | S | 5.437 | 6.749 | 6.757 | 0.625 |
| 45031S | 40S | S | 3.750 | 4.999 | 5.004 | 0.250 | 55419 | 50S | S | 3.437 | 4.501 | 4.506 | 0.625 |
| 45187S | 40S | S | 4.000 | 4.876 | 4.881 | 0.250 | 55524 | 50S | S | 2.000 | 4.003 | 4.008 | 0.468 |
| 45525S | 40S | S | 3.500 | 4.125 | 4.130 | 0.250 | 55547 | 450 | S | 3.875 | 5.126 | 5.131 | 0.625 |
| 455958S | 450 | S | 3.875 | 5.375 | 5.383 | 0.438 | 55548 | 50S | S | 3.000 | 4.626 | 4.631 | 0.500 |

| Part Number | Style | Matl | Shaft | Bore | O.D. | Width | Part Number | Style | Matl | Shaft | Bore | O.D. | Width |
|-------------|----------|------|-------------|-------------|----------------|------------|-------------|-------|------|-------------|-------------|----------------|------------|
| 55563 | 50S | T | 3.250 | 4.003 | 4.008 | 0.468 | ◆112207XX | 350 | S | 0.433 11 | 0.866 22 | 0.877 22.28 | 0.276 7 |
| 55581 | 450 | S | 3.880 | 5.690 | 5.695 | 0.500 | ◆112607XX | 350 | S | 0.433 11 | 1.024 26 | 1.035 26.28 | 0.276 7 |
| 57831 | 50S | S | 4.062 | 6.191 | 6.197 | 0.625 | ◆121905XX | 320 | S | 0.472 12 | 0.748 19 | 0.756 19.20 | 0.197 5 |
| ◆61607XX | 350 | S | 0.236 6 | 0.63 16 | 0.641 16.28 | 0.276 7 | ◆122005XX | 320 | S | 0.472 12 | 0.787 20 | 0.798 20.28 | 0.197 5 |
| ◆62207XX | 350 | S | 0.236 6 | 0.866 22 | 0.877 22.28 | 0.276 7 | ◆122207XX | 350 | S | 0.472 12 | 0.866 22 | 0.876 22.25 | 0.276 7 |
| ◆71607XX | 320 | S | 0.276 7 | 0.63 16 | 0.641 16.28 | 0.276 7 | ◆122407XX | 320 | S | 0.472 12 | 0.945 24 | 0.954 24.23 | 0.276 7 |
| ◆72207XX | 350 | S | 0.276 7 | 0.866 22 | 0.877 22.28 | 0.276 7 | ◆122507XX | 480 | S | 0.472 12 | 0.984 25 | 0.994 25.25 | 0.276 7 |
| 75251S | 70S | S | 4.820 | 5.751 | 5.756 | 0.750 | ◆122607XX | 320 | S | 0.472 12 | 1.024 26 | 1.031 26.20 | 0.276 7 |
| 80313 | 2000E | S | 2.062 | 3.250 | 3.310 | 0.500 | ◆122807XX | 350 | S | 0.472 12 | 1.102 28 | 1.11 28.20 | 0.276 7 |
| 80330 | 80S | S | 2.500 | 3.371 | 3.435 | 0.500 | ◆123007XX | 350 | S | 0.472 12 | 1.181 30 | 1.189 30.20 | 0.276 7 |
| ◆81404XX | 350 | S | 0.315 8 | 0.551 14 | 0.559 14.20 | 0.157 4 | ◆123207XX | 350 | S | 0.472 12 | 1.26 32 | 1.268 32.20 | 0.276 7 |
| ◆81607XX | 350 | S | 0.315 8 | 0.63 16 | 0.639 16.23 | 0.276 7 | ◆123507XX | 320 | S | 0.472 12 | 1.378 35 | 1.386 35.20 | 0.276 7 |
| ◆81805XX | 350 | S | 0.315 8 | 0.709 18 | 0.717 18.20 | 0.197 5 | ◆132206XX | 320 | S | 0.512 13 | 0.866 22 | 0.874 22.20 | 0.236 6 |
| ◆81807XX | 320 | S | 0.315 8 | 0.709 18 | 0.717 18.20 | 0.276 7 | ◆132607XX | 320 | S | 0.512 13 | 1.024 26 | 1.031 26.20 | 0.276 7 |
| ◆82207XX | 320 | S | 0.315 8 | 0.866 22 | 0.877 22.28 | 0.276 7 | ◆132807XX | 320 | S | 0.512 13 | 1.102 28 | 1.11 28.20 | 0.276 7 |
| ◆82207XX | 320 | S | 0.315 8 | 0.866 22 | 0.874 22.20 | 0.276 7 | ◆133007XX | 320 | S | 0.512 13 | 1.181 30 | 1.189 30.20 | 0.276 7 |
| ◆82407XX | 350 | S | 0.315 8 | 0.945 24 | 0.956 24.28 | 0.276 7 | ◆142407XX | 350 | S | 0.551 14 | 0.945 24 | 0.954 24.23 | 0.276 7 |
| ◆91807XX | 350 | S | 0.354 9 | 0.709 18 | 0.717 18.20 | 0.276 7 | ◆142505XX | 320 | S | 0.551 14 | 0.984 25 | 0.993 25.23 | 0.197 5 |
| ◆92207XX | 350 | S | 0.354 9 | 0.866 22 | 0.874 22.20 | 0.276 7 | ◆142607XX | 320 | S | 0.551 14 | 1.024 26 | 1.033 26.23 | 0.276 7 |
| ◆92407XX | 350 | S | 0.354 9 | 0.945 24 | 0.956 24.28 | 0.276 7 | ◆142707XX | 320 | S | 0.551 14 | 1.063 27 | 1.071 27.20 | 0.276 7 |
| ◆92607XX | 350 | S | 0.354 9 | 1.024 26 | 1.035 26.28 | 0.276 7 | ◆142806XX | 350 | S | 0.551 14 | 1.102 28 | 1.111 28.23 | 0.236 6 |
| 100058 | TW | T | 2.156 | 2.880 | 2.885 | 0.375 | ◆143007XX | 320 | S | 0.551 14 | 1.181 30 | 1.189 30.20 | 0.276 7 |
| 100085← | # | T | 3.858 | 4.525 | 4.540 | 0.620 | ◆143207XX | 320 | S | 0.551 14 | 1.26 32 | 1.268 32.20 | 0.276 7 |
| 100165 | # | S | 1.378 | 2.244 | 2.246 | 0.601 | ◆143507XX | 350 | S | 0.551 14 | 1.378 35 | 1.387 35.22 | 0.276 7 |
| 100357 | 860 | V | 1.705 | 3.034 | 3.039 | 0.562 | ◆152407XX | 350 | S | 0.591 15 | 0.945 24 | 0.954 24.23 | 0.276 7 |
| 100494 | Unitized | V | 3.253 | 4.249 | 4.260 | 0.635 | ◆152505XX | 320 | S | 0.591 15 | 0.984 25 | 0.992 25.20 | 0.197 5 |
| 100495 | Unitized | V | 3.003 | 3.751 | 3.761 | 0.420 | ◆152507XX | 350 | S | 0.591 15 | 0.984 25 | 0.992 25.20 | 0.276 7 |
| 100557 | Unitized | V | 3.253 | 5.500 | 5.511 | 0.635 | ◆152607XX | 350 | S | 0.591 15 | 1.024 26 | 1.033 26.23 | 0.276 7 |
| 100675 | 720 | V | 1.875 | 3.161 | 3.165 | 0.695 | ◆152807XX | 320 | S | 0.591 15 | 1.102 28 | 1.11 28.20 | 0.276 7 |
| ◆101907XX | 350 | S | 0.394 10 | 0.748 19 | 0.756 19.20 | 0.276 7 | ◆153007XX | 350 | S | 0.591 15 | 1.181 30 | 1.19 30.23 | 0.276 7 |
| ◆102207XX | 320 | S | 0.394 10 | 0.866 22 | 0.877 22.28 | 0.276 7 | | | | | | | |
| ◆102407XX | 350 | S | 0.394 10 | 0.945 24 | 0.954 24.23 | 0.276 7 | | | | | | | |
| ◆102507XX | 320 | S | 0.394 10 | 0.984 25 | 0.995 25.28 | 0.276 7 | | | | | | | |
| ◆102607XX | 320 | S | 0.394 10 | 1.024 26 | 1.033 26.23 | 0.276 7 | | | | | | | |
| ◆111704XX | 320 | S | 0.433 11 | 0.669 17 | 0.679 17.25 | 0.157 4 | | | | | | | |

| Part Number | Style | Matl | Shaft | Bore | O.D. | Width | Part Number | Style | Matl | Shaft | Bore | O.D. | Width |
|-------------|-------|------|-------------|-------------|----------------|------------|-------------|-------|------|-------------|-------------|----------------|-------------|
| ◆153207XX | 350 | S | 0.591 15 | 1.26 32 | 1.268 32.20 | 0.276 7 | ◆183007XX | 350 | S | 0.709 18 | 1.181 30 | 1.19 30.23 | 0.276 7 |
| ◆153207XX | 350 | S | 0.591 15 | 1.26 32 | 1.268 32.20 | 0.276 7 | ◆183207XX | 350 | S | 0.709 18 | 1.26 32 | 1.268 32.20 | 0.276 7 |
| ◆153208XX | 350 | S | 0.591 15 | 1.26 32 | 1.269 32.22 | 0.315 8 | ◆183208XX | 350 | S | 0.709 18 | 1.26 32 | 1.269 32.22 | 0.315 8 |
| ◆153507XX | 350 | S | 0.591 15 | 1.378 35 | 1.387 35.23 | 0.276 7 | ◆183507XX | 320 | S | 0.709 18 | 1.378 35 | 1.385 35.18 | 0.276 7 |
| ◆153706XX | 320 | S | 0.591 15 | 1.457 37 | 1.465 37.20 | 0.236 6 | ◆183708XX | 320 | S | 0.709 18 | 1.457 37 | 1.465 37.20 | 0.315 8 |
| ◆154007XX | 320 | S | 0.591 15 | 1.575 40 | 1.583 40.20 | 0.276 7 | ◆183807XX | 320 | S | 0.709 18 | 1.496 38 | 1.504 38.20 | 0.276 7 |
| ◆162204XX | 320 | S | 0.63 16 | 0.866 22 | 0.874 22.20 | 0.157 4 | ◆184007XX | 350 | S | 0.709 18 | 1.575 40 | 1.583 40.22 | 0.276 7 |
| ◆162405XX | 350 | S | 0.63 16 | 0.984 25 | 0.992 25.20 | 0.197 5 | ◆192706XX | 350 | S | 0.748 19 | 1.063 27 | 1.071 27.20 | 0.236 6 |
| ◆162406XX | 320 | S | 0.63 16 | 0.945 24 | 0.953 24.20 | 0.236 6 | ◆193007XX | 320 | S | 0.748 19 | 1.181 30 | 1.189 30.20 | 0.276 7 |
| ◆162407XX | 320 | S | 0.63 16 | 0.945 24 | 0.953 24.20 | 0.276 7 | ◆193207XX | 350 | S | 0.748 19 | 1.26 32 | 1.268 32.20 | 0.276 7 |
| ◆162607XX | 320 | S | 0.63 16 | 1.024 26 | 1.031 26.20 | 0.276 7 | ◆193208XX | 320 | S | 0.748 19 | 1.26 32 | 1.268 32.20 | 0.315 8 |
| ◆162807XX | 350 | S | 0.63 16 | 1.102 28 | 1.111 28.23 | 0.276 7 | ◆193510XX | 350 | S | 0.748 19 | 1.378 35 | 1.387 35.23 | 0.394 10 |
| ◆162807XX | 350 | S | 0.63 16 | 1.102 28 | 1.11 28.20 | 0.276 7 | ◆194010XX | 350 | S | 0.748 19 | 1.575 40 | 1.584 40.23 | 0.394 10 |
| ◆163007XX | 350 | S | 0.63 16 | 1.181 30 | 1.19 30.23 | 0.276 7 | ◆194707XX | 320 | S | 0.748 19 | 1.85 47 | 1.858 47.20 | 0.276 7 |
| ◆163207XX | 320 | S | 0.63 16 | 1.26 32 | 1.271 32.28 | 0.276 7 | 200110 | 2000 | S | 2.058 | 3.149 | 3.154 | 0.270 |
| ◆163507XX | 350 | S | 0.63 16 | 1.378 35 | 1.387 35.23 | 0.276 7 | 200133 | 2000E | S | 3.000 | 4.524 | 4.600 | 0.433 |
| ◆163807XX | 320 | S | 0.63 16 | 1.496 38 | 1.504 38.20 | 0.276 7 | 200322 | 2000 | S | 2.953 | 4.724 | 4.729 | 0.320 |
| ◆164007XX | 320 | S | 0.63 16 | 1.575 40 | 1.583 40.20 | 0.276 7 | 200338 | 2000 | S | 1.250 | 2.000 | 2.004 | 0.290 |
| ◆172707XX | 320 | S | 0.669 17 | 1.063 27 | 1.071 27.20 | 0.276 7 | 200339 | 2000 | S | 2.000 | 2.875 | 2.879 | 0.290 |
| ◆172807XX | 350 | S | 0.669 17 | 1.102 28 | 1.111 28.23 | 0.276 7 | 200354 | 2000 | S | 1.750 | 2.718 | 2.722 | 0.359 |
| ◆173007XX | 350 | S | 0.669 17 | 1.181 30 | 1.19 30.23 | 0.276 7 | 200371 | 2000 | S | 1.945 | 2.891 | 2.895 | 0.290 |
| ◆173207XX | 350 | S | 0.669 17 | 1.26 32 | 1.269 32.22 | 0.276 7 | 200392 | 2000 | S | 2.625 | 3.813 | 3.818 | 0.415 |
| ◆173507XX | 350 | S | 0.669 17 | 1.378 35 | 1.385 35.18 | 0.276 7 | 200600 | 2000E | S | 1.750 | 2.786 | 2.876 | 0.285 |
| ◆173508XX | 350 | S | 0.669 17 | 1.378 35 | 1.386 35.20 | 0.315 8 | 200603 | 2000E | S | 3.625 | 4.695 | 4.810 | 0.395 |
| ◆173707XX | 320 | S | 0.669 17 | 1.457 37 | 1.465 37.20 | 0.276 7 | 200640 | 2000E | S | 1.562 | 2.531 | 2.621 | 0.285 |
| ◆173807XX | 320 | S | 0.669 17 | 1.496 38 | 1.504 38.20 | 0.276 7 | 200640S | 200E | S | 1.562 | 2.531 | 2.621 | 0.285 |
| ◆174007XX | 350 | S | 0.669 17 | 1.575 40 | 1.584 40.23 | 0.276 7 | 200641 | 2000E | S | 1.625 | 2.462 | - | .250 |
| ◆174707XX | 350 | S | 0.669 17 | 1.85 47 | 1.858 47.20 | 0.276 7 | 200642 | 2000 | S | 4.750 | 6.002 | 6.092 | 0.285 |
| ◆174708XX | 320 | S | 0.669 17 | 1.85 47 | 1.858 47.20 | 0.315 8 | 200752 | 2000E | S | 1.873 | 2.716 | 2.806 | 0.281 |
| ◆182806XX | 350 | S | 0.709 18 | 1.102 28 | 1.113 28.28 | 0.236 6 | 200763 | 2000E | S | 2.250 | 3.249 | 3.250 | 0.285 |
| | | | | | | | 200766 | 2000E | S | 3.062 | 4.230 | 4.350 | 0.390 |
| | | | | | | | 200851 | 2000E | S | 2.496 | 3.672 | 3.772 | 0.315 |
| | | | | | | | 200854 | 2000E | S | 1.750 | 2.718 | 2.728 | 0.294 |
| | | | | | | | 200855 | 2000E | S | 2.375 | 3.471 | 3.616 | 0.290 |
| | | | | | | | 200855S | 200E | S | 2.375 | 3.471 | 3.616 | 0.290 |
| | | | | | | | 200859 | 2000 | S | 1.500 | 2.256 | - | .270 |
| | | | | | | | 200861 | 2000E | S | 1.500 | 2.462 | 2.482 | 0.290 |
| | | | | | | | 200865 | 2000E | S | 2.065 | 3.130 | 3.130 | 0.294 |
| | | | | | | | 200870 | 2000E | S | 3.249 | 4.468 | 4.488 | 0.318 |
| | | | | | | | 200881 | 2000E | S | 2.000 | 2.804 | 2.824 | 0.294 |

| Part Number | Style | Matl | Shaft | Bore | O.D. | Width | Part Number | Style | Matl | Shaft | Bore | O.D. | Width |
|------------------|-------|------|-------------|-------------|----------------|-------------|------------------|-------|------|-------------|-------------|----------------|-------------|
| 200885 | 2000E | S | 1.991 | 2.900 | 2.975 | 0.290 | 204501 | 2040 | S | 1.750 | 3.000 | 3.005 | 0.250 |
| 200886 | 2000E | S | 1.687 | 2.650 | 2.725 | 0.290 | 204502 | 2040 | S | 1.750 | 2.561 | 2.567 | 0.252 |
| 200886S | 200E | S | 1.687 | 2.650 | 2.725 | 0.290 | 204503 | 2040 | S | 1.750 | 2.374 | 2.379 | 0.250 |
| 200887 | 2000E | S | 1.562 | 2.237 | 2.257 | 0.290 | 204505 | 2040 | S | 1.125 | 1.780 | 1.785 | 0.250 |
| 200929 | 2000E | S | 2.250 | 3.400 | 3.700 | 0.280 | 204506 | 2040 | S | 2.000 | 3.623 | 3.628 | 0.250 |
| 200942 | 2000E | S | 2.750 | 3.846 | 3.928 | 0.290 | 204507 | 2040 | S | 1.250 | 1.979 | 1.985 | 0.252 |
| ◆202806XX | 320 | S | 0.787 20 | 1.102 28 | 1.11 28.20 | 0.236 6 | 204508 | 2040 | S | 2.000 | 3.062 | 3.066 | 0.250 |
| 203002 | 2030 | S | 1.750 | 2.717 | 2.721 | 0.406 | 204509 | 2040 | S | 5.000 | 6.250 | 6.256 | 0.250 |
| 203003 | 2030 | S | 1.125 | 1.937 | 1.942 | 0.562 | ◆204707XX | 350 | S | 0.787 20 | 1.85 47 | 1.859 47.22 | 0.276 7 |
| 203005 | 2030 | S | 1.000 | 1.780 | 1.785 | 0.468 | 205004 | 2050 | F | 1.125 | 1.937 | 1.942 | 0.625 |
| 203005S | 203 | S | 1.000 | 1.780 | 1.785 | 0.468 | 205005 | 2050 | F | 1.000 | 1.780 | 1.785 | 0.468 |
| 203006 | 2030 | S | 1.812 | 2.561 | 2.566 | 0.500 | 205015 | 2050 | F | 1.750 | 2.563 | 2.569 | 0.500 |
| 203006S | 2030 | S | 1.812 | 2.561 | 2.566 | 0.500 | 205017 | 2050 | F | 1.625 | 2.328 | 2.327 | 0.406 |
| ◆203007XX | 350 | S | 0.787 20 | 1.181 30 | 1.192 30.28 | 0.276 7 | 205035 | 2050 | F | 2.296 | 3.148 | 3.153 | 0.359 |
| 203008 | 2030 | S | 1.687 | 2.327 | 2.332 | 0.500 | 205044 | 2050 | F | 2.000 | 2.964 | 2.965 | 0.500 |
| 203012 | 2030 | S | 1.250 | 1.969 | 1.975 | 0.469 | 205058 | 2050 | S | 2.000 | 2.562 | 2.566 | 0.500 |
| 203013 | 2030 | S | 1.500 | 2.327 | 2.333 | 0.406 | ◆205207XX | 350 | S | 0.787 20 | 2.047 52 | 2.055 52.20 | 0.276 7 |
| 203016 | 2030 | S | 1.218 | 1.968 | 1.972 | 0.468 | 210295 | 210 | S | 1.937 | 2.875 | 2.879 | 0.687 |
| 203025 | 2030 | S | 1.219 | 1.979 | 1.985 | 0.406 | 210945 | 210 | S | 1.750 | 3.371 | 3.376 | 0.625 |
| 203029 | 2030 | S | 1.250 | 1.979 | 1.985 | 0.406 | ◆213507XX | 320 | S | 0.827 21 | 1.378 35 | 1.386 35.20 | 0.276 7 |
| ◆203207XX | 350 | S | 0.787 20 | 1.26 32 | 1.269 32.23 | 0.276 7 | ◆213508XX | 320 | S | 0.827 21 | 1.378 35 | 1.386 35.20 | 0.315 8 |
| ◆203507XX | 350 | S | 0.787 20 | 1.378 35 | 1.387 35.23 | 0.276 7 | ◆220818 | 320 | S | 0.315 8 | 0.709 18 | 0.717 18.20 | 0.276 7 |
| ◆203607XX | 320 | S | 0.787 20 | 1.417 36 | 1.425 36.20 | 0.276 7 | ◆220860 | 350 | S | 0.315 8 | 0.630 16 | 0.638 16.20 | 0.236 6 |
| ◆203707XX | 320 | S | 0.787 20 | 1.457 37 | 1.465 37.20 | 0.276 7 | ◆220918 | 350 | S | 9.000 9 | 0.709 18 | 0.717 18.20 | 0.276 7 |
| ◆203708XX | 320 | S | 0.787 20 | 1.457 37 | 1.465 37.20 | 0.315 8 | ◆221040 | 350 | S | 0.394 10 | 0.748 19 | 0.757 19.23 | 0.276 7 |
| ◆203807XX | 320 | S | 0.787 20 | 1.496 38 | 1.504 38.20 | 0.276 7 | ◆221122 | 350 | S | 0.433 11 | 0.866 22 | 0.875 22.23 | 0.276 7 |
| 204002 | 2040 | S | 1.750 | 2.716 | 2.721 | 0.406 | ◆221207 | 350 | S | 0.472 12 | 0.866 22 | 0.876 22.25 | 0.276 7 |
| 204005 | 2040 | S | 1.000 | 1.781 | 1.787 | 0.469 | ◆221208 | 350 | V | 0.472 12 | 0.866 22 | 0.875 22.23 | 0.276 7 |
| 204005S | 2040 | S | 1.000 | 1.781 | 1.787 | 0.469 | ◆221410 | 350 | S | 0.551 14 | 0.945 24 | 0.954 24.23 | 0.236 6 |
| ◆204007XX | 350 | S | 0.787 20 | 1.575 40 | 1.584 40.23 | 0.276 7 | ◆221510 | 320 | N | 0.591 15 | 0.984 25 | 0.994 25.25 | 0.236 6 |
| ◆204010XX | 350 | S | 0.787 20 | 1.575 40 | 1.584 40.23 | 0.394 10 | ◆221540 | 350 | S | 0.591 15 | 1.181 30 | 1.190 30.23 | 0.276 7 |
| 204013 | 2040 | S | 1.500 | 2.327 | 2.333 | 0.406 | ◆221607 | # | N | 0.630 16 | 1.063 27 | 1.071 27.20 | 0.551 14 |
| 204017 | 2040 | S | 1.625 | 2.328 | 2.334 | 0.437 | ◆221610 | 320 | N | 0.630 16 | 1.102 28 | 1.111 28.22 | 0.276 7 |
| 204020 | 2040 | S | 1.125 | 1.781 | 1.787 | 0.469 | ◆221620 | 350 | S | 0.630 16 | 1.181 30 | 1.190 30.23 | 0.276 7 |
| 204027 | 2040 | S | 1.375 | 2.327 | 2.332 | 0.406 | ◆221710 | 350 | S | 0.669 17 | 1.102 28 | 1.111 28.22 | 0.276 7 |
| 204029 | 2040 | S | 1.250 | 1.979 | 1.983 | 0.406 | ◆221720 | 470 | S | 0.669 17 | 1.181 30 | 1.190 30.23 | 0.276 7 |
| 204035 | 2040 | S | 2.293 | 3.148 | 3.154 | 0.358 | ◆221730 | 350 | S | 0.669 17 | 1.260 32 | 1.269 32.23 | 0.276 7 |
| 204038 | 2040 | S | 1.750 | 2.718 | 2.724 | 0.359 | | | | | | | |
| ◆204207XX | 350 | S | 0.787 20 | 1.654 42 | 1.663 42.25 | 0.276 7 | | | | | | | |
| ◆204210XX | 320 | S | 0.787 20 | 1.654 42 | 1.659 42.15 | 0.394 10 | | | | | | | |
| 204500 | 40S | S | 1.625 | 2.562 | 2.568 | 0.252 | | | | | | | |

| Part Number | Style | Matl | Shaft | Bore | O.D. | Width | Part Number | Style | Matl | Shaft | Bore | O.D. | Width |
|-------------|-------|------|-------------|-------------|----------------|---------------|-------------|-------|------|-------------|-------------|----------------|-------------|
| ◆221735 | 350 | S | 0.669 17 | 1.378 35 | 1.387 35.23 | 0.276 7 | 222742 | 480 | V | 1.063 | 1.654 | 1.657 | 0.276 |
| ◆221820 | 320 | S | 0.709 18 | 1.181 30 | 1.190 30.23 | 0.315 8 | ◆222743← | 320 | H | 1.063 27 | 1.693 43 | 1.701 43.20 | 0.354 9 |
| ◆221830 | 350 | S | 0.709 18 | 1.260 32 | 1.269 32.23 | 0.276 7 | ◆222745← | 320 | N | 1.063 27 | 1.772 45 | 1.781 45.24 | 0.354 9 |
| ◆221920 | 320 | S | 0.748 19 | 1.181 30 | 1.190 30.23 | 0.197 5 | ◆222820 | 330 | S | 1.102 28 | 1.575 40 | 1.584 40.23 | 0.276 7 |
| ◆221922 | 320 | S | 0.748 19 | 1.260 32 | 1.269 32.23 | 0.315 8 | ◆222830 | 320 | N | 1.102 28 | 1.614 41 | 1.625 41.27 | 0.276 7 |
| ◆221925 | 350 | S | 0.748 19 | 1.417 36 | 1.426 36.23 | 0.256 6.50 | ◆222835 | 320 | N | 1.102 28 | 1.732 44 | 1.741 44.22 | 0.236 6 |
| ◆222020 | 350 | S | 0.787 20 | 1.260 32 | 1.269 32.23 | 0.276 7 | ◆222860→ | 320 | N | 1.102 28 | 1.850 47 | 1.859 47.22 | 0.315 8 |
| ◆222025 | 350 | S | 0.787 20 | 1.181 30 | 1.190 30.23 | 0.276 7 | ◆223005 | 480 | S | 1.181 30 | 1.575 40 | 1.584 40.23 | 0.276 7 |
| 222028 | 320 | S | 0.787 | 1.339 | 1.348 | 0.276 | ◆223010→ | 320 | S | 1.181 30 | 1.654 42 | 1.663 42.24 | 0.276 7 |
| ◆222030→ | 320 | S | 0.787 20 | 1.378 35 | 1.387 35.23 | 0.217 5.50 | ◆223012→ | 320 | N | 1.181 30 | 1.732 44 | 1.741 44.22 | 0.354 9 |
| ◆222036 | 320 | V | 0.787 20 | 1.417 36 | 1.426 36.22 | 0.276 7 | ◆223014 | 320 | S | 1.181 30 | 1.772 45 | 1.781 45.24 | 0.236 6 |
| ◆222050 | 350 | S | 0.787 20 | 1.575 40 | 1.584 40.23 | 0.276 7 | ◆223018→ | 320 | S | 1.181 30 | 1.811 46 | 1.820 46.23 | 0.276 7 |
| ◆222060 | 350 | S | 0.787 20 | 1.850 47 | 1.859 47.22 | 0.276 7 | ◆223020 | 350 | S | 1.181 30 | 1.850 47 | 1.859 47.22 | 0.276 7 |
| ◆222210 | 350 | S | 0.866 22 | 1.260 32 | 1.269 32.23 | 0.276 7 | ◆223035 | 350 | S | 1.181 30 | 2.047 52 | 2.058 52.27 | 0.276 7 |
| ◆222220 | 320 | S | 0.866 22 | 1.378 35 | 1.387 35.23 | 0.276 7 | ◆223050← | 320 | S | 1.181 30 | 1.969 50 | 1.978 50.24 | 0.354 9 |
| ◆222238 | 320 | S | 0.866 22 | 1.496 38 | 1.504 38.20 | 0.315 8 | ◆223207XX | 350 | S | 0.866 22 | 1.26 32 | 1.269 32.23 | 0.276 7 |
| ◆222240 | 350 | S | 0.866 22 | 1.575 40 | 1.584 40.23 | 0.276 7 | ◆223210 | 340 | S | 1.260 32 | 1.575 40 | 1.581 40.15 | 0.197 5 |
| ◆222242 | 320 | N | 0.866 22 | 1.575 40 | 1.584 40.23 | 0.354 9 | ◆223215← | 320 | S | 1.260 32 | 1.654 42 | 1.661 42.20 | 0.394 10 |
| ◆222267← | 320 | H | 0.866 22 | 1.772 45 | 1.781 45.24 | 0.315 8 | ◆223220→ | 320 | N | 1.260 32 | 1.732 44 | 1.741 44.22 | 0.236 6 |
| 222310 | 340 | S | 0.905 | 1.260 | 1.268 | 0.197 | ◆223230 | 320 | S | 1.260 32 | 1.772 45 | 1.781 45.24 | 0.276 7 |
| ◆222330← | 320 | N | 0.906 23 | 1.339 34 | 1.348 34.24 | 0.315 8 | ◆223235→ | 320 | N | 1.260 32 | 1.811 46 | 1.820 46.23 | 0.236 6 |
| ◆222410 | 350 | S | 0.945 24 | 1.378 35 | 1.387 35.23 | 0.276 7 | ◆223240→ | 400 | N | 1.260 32 | 1.890 48 | 1.899 48.24 | 0.276 7 |
| ◆222430 | 350 | S | 0.945 24 | 1.575 40 | 1.584 40.23 | 0.276 7 | ◆223250→ | 320 | S | 1.260 32 | 1.969 50 | 1.978 50.24 | 0.315 8 |
| 222450 | 250 | S | 0.945 | 1.693 | 1.702 | 0.315 | ◆223252← | 320 | N | 1.260 32 | 2.047 52 | 2.058 52.28 | 0.433 11 |
| ◆222510 | 350 | S | 0.984 25 | 1.378 35 | 1.383 35.13 | 0.276 7 | ◆223253→ | 320 | N | 1.260 32 | 2.087 53 | 2.098 53.29 | 0.276 7 |
| ◆222535→ | 320 | S | 0.984 25 | 1.496 38 | 1.505 38.23 | 0.276 7 | ◆223255 | 350 | S | 1.260 32 | 2.047 52 | 2.058 52.27 | 0.276 7 |
| ◆222540 | 470 | S | 0.984 25 | 1.575 40 | 1.584 40.23 | 0.276 7 | ◆223340→ | 320 | S | 1.299 33 | 1.850 47 | 1.859 47.22 | 0.276 7 |
| 222556→ | 320 | H | 0.984 | 1.654 | 1.665 | 0.315 | ◆223400 | 320 | N | 1.339 34 | 1.732 44 | 1.741 44.23 | 0.315 8 |
| ◆222560 | 350 | S | 0.984 25 | 1.850 47 | 1.859 47.22 | 0.276 7 | ◆223420→ | 320 | N | 1.339 34 | 1.890 48 | 1.899 48.24 | 0.315 8 |
| ◆222580 | 320 | S | 0.984 25 | 2.441 62 | 2.452 62.28 | 0.394 10 | ◆223440 | 320 | N | 1.339 34 | 2.087 53 | 2.098 53.28 | 0.315 8 |
| 222630 | 320 | N | 1.024 | 1.496 | 1.504 | 0.315 | | | | | | | |
| ◆222655→ | 320 | S | 1.024 26 | 1.890 48 | 1.899 48.24 | 0.276 7 | | | | | | | |

| Part Number | Style | Matl | Shaft | Bore | O.D. | Width | Part Number | Style | Matl | Shaft | Bore | O.D. | Width |
|-------------|-------|------|-------------|-------------|----------------|---------------|-------------|-------|------|-------------|----------------|----------------|---------------|
| ◆223507XX | 350 | S | 0.866 22 | 1.378 35 | 1.387 35.23 | 0.276 7 | ◆223840 | 470 | S | 1.496 38 | 2.283 58 | 2.290 58.17 | 0.315 8 |
| ◆223510 | 350 | S | 1.378 35 | 1.850 47 | 1.859 47.22 | 0.276 7 | 223842 | 480 | V | 1.496 | 2.283 | 2.288 | 0.315 |
| ◆223520 | 350 | S | 1.378 35 | 1.969 50 | 1.980 50.29 | 0.315 8 | ◆223843 | 350 | S | 1.496 38 | 2.362 60 | 2.373 60.27 | 0.394 10 |
| ◆223535 | 330 | S | 1.378 35 | 2.047 52 | 2.053 52.15 | 0.276 7 | ◆224007XX | 350 | S | 0.866 22 | 1.575 40 | 1.584 40.23 | 0.276 7 |
| ◆223540 | 320 | N | 1.378 35 | 2.165 55 | 2.176 55.27 | 0.315 8 | ◆224008XX | 350 | S | 0.866 22 | 1.575 40 | 1.583 40.20 | 0.315 8 |
| ◆223542 | 320 | N | 1.378 35 | 2.165 55 | 2.176 55.27 | 0.315 8 | ◆224010 | 350 | S | 1.575 40 | 2.047 52 | 2.053 52.15 | 0.276 7 |
| ◆223543 | 320 | S | 1.378 35 | 2.205 56 | 2.216 56.29 | 0.394 10 | ◆224015→ | 320 | S | 1.575 40 | 2.047 52 | 2.058 52.27 | 0.236 6 |
| ◆223550 | 450 | S | 1.378 35 | 2.283 58 | 2.294 58.27 | 0.394 10 | ◆224020→ | 320 | S | 1.575 40 | 2.165 55 | 2.176 55.27 | 0.315 8 |
| ◆223552 | 320 | S | 1.378 35 | 2.441 62 | 2.452 62.28 | 0.276 7 | ◆224025→ | 320 | N | 1.567 40 | 2.205 56 | 2.216 56.29 | 0.315 8 |
| ◆223553→ | 400 | N | 1.378 35 | 2.441 62 | 2.452 62.28 | 0.354 9 | ◆224026↔ | 350 | V | 1.575 40 | 2.205 56 | 2.216 56.29 | 0.354 9 |
| ◆223554 | # | S | 1.378 35 | 2.480 63 | 2.487 63.17 | 0.394 10 | ◆224040 | 350 | S | 1.575 40 | 2.362 60 | 2.373 60.27 | 0.394 10 |
| ◆223555 | 470 | N | 1.378 35 | 2.520 64 | 2.525 64.13 | 0.315 8 | ◆224045 | 320 | S | 1.575 40 | 2.441 62 | 2.452 62.28 | 0.433 11 |
| ◆223580→ | 400 | S | 1.378 35 | 2.677 68 | 2.683 68.16 | 0.354 9 | ◆224052→ | 320 | H | 1.575 40 | 2.047 52 | 2.058 52.27 | 0.276 7 |
| ◆223601 | 350 | S | 1.417 36 | 1.850 47 | 1.859 47.22 | 0.276 7 | ◆224063→ | 320 | N | 1.575 40 | 2.480 63 | 2.491 63.27 | 0.315 8 |
| ◆223602→ | 320 | N | 1.417 36 | 1.929 49 | 1.938 49.23 | 0.276 7 | ◆224066→ | 400 | N | 1.575 40 | 2.598 66 | 2.609 66.27 | 0.315 8 |
| ◆223605 | 470 | S | 1.417 36 | 1.969 50 | 1.974 50.14 | 0.276 7 | 224068 | 400 | N | 1.575 | 2.677 | 2.681 | 0.354 |
| ◆223606 | 480 | S | 1.024 26 | 1.654 42 | 1.659 42.14 | 0.315 8 | ◆224100 | 350 | S | 1.575 40 | 2.559 65 | 2.565 65.15 | 0.394 10 |
| ◆223607XX | 320 | S | 0.866 22 | 1.417 36 | 1.425 36.20 | 0.276 7 | 224150 | 350 | N | 1.614 | 2.126 | 2.135 | 0.276 |
| ◆223608← | 320 | S | 1.417 36 | 2.047 52 | 2.055 52.20 | 0.394 10 | ◆224200 | 320 | S | 1.654 42 | 2.165 55 | 2.172 55.17 | 0.236 6 |
| ◆223610 | 350 | S | 1.417 36 | 2.126 54 | 2.137 54.28 | 0.295 7.50 | ◆224200S | 320 | S | 1.654 42 | 2.165 55 | 2.172 55.17 | 0.236 6 |
| ◆223707XX | 350 | S | 0.866 22 | 1.457 37 | 1.466 37.23 | 0.276 7 | ◆224205→ | 320 | N | 1.654 42 | 2.165 55 | 2.178 55.33 | 0.315 8 |
| ◆223750→ | 320 | N | 1.457 37 | 1.969 50 | 1.980 50.29 | 0.236 6 | ◆224207XX | 320 | S | 0.866 22 | 1.654 42 | 1.661 42.20 | 0.276 7 |
| ◆223800→ | 320 | N | 1.496 38 | 1.969 50 | 1.980 50.28 | 0.315 8 | ◆224210XX | 350 | S | 0.866 22 | 1.654 42 | 1.661 42.20 | 0.394 10 |
| ◆223801 | 320 | S | 1.496 38 | 1.969 50 | 1.980 50.29 | 0.315 8 | ◆224210 | 350 | S | 1.654 42 | 2.165 55 | 2.172 55.17 | 0.236 6 |
| ◆223802→ | 320 | N | 1.496 38 | 1.969 50 | 1.978 50.25 | 0.236 6 | ◆224215← | 320 | N | 1.654 42 | 2.283 58 | 2.294 58.27 | 0.374 9.50 |
| ◆223805 | 250 | S | 1.496 38 | 2.244 57 | 1.850 47.00 | 0.276 7 | ◆224220 | 490 | S | 1.654 42 | 2.205 56 | 2.213 56.21 | 0.276 7 |
| ◆223807XX | 350 | S | 0.866 22 | 1.496 38 | 1.504 38.20 | 0.276 7 | ◆224235 | 480 | S | 1.654 42 | 2.283 58 | 2.290 58.17 | 0.354 9 |
| ◆223808XX | 320 | S | 0.866 22 | 1.496 38 | 1.504 38.20 | 0.315 8 | ◆224250→ | 350 | S | 1.654 42 | 2.441 62 | 2.452 62.28 | 0.394 10 |
| ◆223830 | 350 | N | 1.496 38 | 2.165 55 | 2.176 55.27 | 0.354 9 | ◆224252 | 320 | S | 1.654 42 | 2.441 62 | 2.452 62.28 | 0.276 7 |
| ◆223831→ | 320 | N | 1.496 38 | 2.165 55 | 2.176 55.27 | 0.354 9 | ◆224254 | 340 | S | 1.654 42 | 2.524 64.10 | 2.535 64.39 | 0.236 6 |
| | | | | | | | ◆224255 | 470 | N | 1.654 42 | 2.559 65 | 2.565 65.15 | 0.394 10 |

| Part Number | Style | Matl | Shaft | Bore | O.D. | Width | Part Number | Style | Matl | Shaft | Bore | O.D. | Width |
|-------------|-------|------|-------|-------|-------|-------|-------------|-------|------|-------|-------|-------|-------|
| 224266 | 320 | S | 1.654 | 2.598 | 2.609 | 0.394 | ◆225010 | 470 | S | 1.969 | 2.559 | 2.565 | 0.354 |
| ◆224270 | 350 | S | 1.654 | 2.835 | 2.845 | 0.394 | | | | 50 | 65 | 65.15 | 9 |
| | | | 42 | 72 | 72.27 | 10 | ◆225020→ | 320 | V | 1.969 | 2.677 | 2.688 | 0.354 |
| ◆224320 | 470 | S | 1.693 | 2.441 | 2.448 | 0.394 | | | | 50 | 68 | 68.28 | 9 |
| | | | 43 | 62 | 62.18 | 10 | ◆225030 | 350 | S | 1.969 | 2.835 | 2.846 | 0.315 |
| ◆224400 | 250 | S | 1.693 | 2.126 | 2.132 | 0.256 | | | | 50 | 72 | 72.29 | 8 |
| | | | 43 | 54 | 54.15 | 6.50 | ◆225035 | 320 | S | 1.969 | 2.835 | 2.846 | 0.354 |
| 224450 | 350 | N | 1.732 | 2.323 | 2.332 | 0.268 | | | | 50 | 72 | 72.29 | 9 |
| ◆224460→ | 350 | X | 1.732 | 2.362 | 2.373 | 0.276 | ◆225040→ | 320 | S | 1.969 | 2.835 | 2.846 | 0.472 |
| | | | 44 | 60 | 60.27 | 7 | | | | 50 | 72 | 72.29 | 12 |
| ◆224462 | 320 | S | 1.732 | 2.441 | 2.452 | 0.315 | ◆225050 | 350 | S | 1.969 | 3.150 | 3.161 | 0.315 |
| | | | 44 | 62 | 62.28 | 8 | | | | 50 | 80 | 80.29 | 8 |
| ◆224464← | 320 | N | 1.732 | 2.441 | 2.452 | 0.394 | ◆225082 | # | S | 1.969 | 3.228 | 3.235 | 0.315 |
| | | | 44 | 62 | 62.28 | 10 | | | | 50 | 82 | 82.18 | 8 |
| ◆224465→ | 320 | S | 1.732 | 2.559 | 2.570 | 0.433 | ◆225110 | 470 | S | 2.008 | 2.559 | 2.565 | 0.276 |
| | | | 44 | 65 | 65.28 | 11 | | | | 51 | 65 | 65.15 | 7 |
| ◆224507XX | 350 | S | 0.866 | 1.772 | 1.781 | 0.276 | ◆225208 | 320 | S | 2.047 | 2.559 | 2.570 | 0.354 |
| | | | 22 | 45 | 45.23 | 7 | | | | 52 | 65 | 65.28 | 9 |
| ◆224520 | 350 | S | 1.772 | 2.362 | 2.373 | 0.315 | ◆225210 | 350 | N | 2.047 | 2.598 | 2.609 | 0.354 |
| | | | 45 | 60 | 60.27 | 8 | | | | 52 | 66 | 66.27 | 9 |
| ◆224560 | 320 | S | 1.772 | 2.677 | 2.688 | 0.335 | ◆225220 | 350 | S | 2.047 | 2.677 | 2.683 | 0.256 |
| | | | 45 | 68 | 68.28 | 8.50 | | | | 52 | 68 | 68.15 | 6.50 |
| ◆224570 | 350 | S | 1.772 | 2.835 | 2.846 | 0.276 | ◆225225 | 470 | S | 2.047 | 2.756 | 2.762 | 0.315 |
| | | | 45 | 72 | 72.29 | 7 | | | | 52 | 70 | 70.16 | 8 |
| ◆224650→ | 320 | N | 1.811 | 2.283 | 2.294 | 0.276 | ◆225227 | # | S | 2.205 | 2.835 | 2.845 | 0.492 |
| | | | 46 | 58 | 58.27 | 7 | | | | 56 | 72 | 72.27 | 12.50 |
| ◆224660→ | 320 | H | 1.811 | 2.362 | 2.373 | 0.276 | ◆225230 | 350 | S | 2.047 | 2.835 | 2.846 | 0.303 |
| | | | 46 | 60 | 60.27 | 7 | | | | 52 | 72 | 72.29 | 7.70 |
| 224662 | 350 | S | 1.811 | 2.441 | 2.445 | 0.315 | ◆225275 | 660 | S | 2.047 | 2.953 | 2.957 | 0.295 |
| 224663→ | 350 | N | 1.811 | 2.480 | 2.491 | 0.300 | | | | 52 | 75 | 75.11 | 7.50 |
| ◆224707XX | 350 | S | 0.866 | 1.85 | 1.859 | 0.276 | ◆225278 | 350 | N | 2.047 | 3.071 | 3.082 | 0.354 |
| | | | 22 | 47 | 47.23 | 7 | | | | 52 | 78 | 78.28 | 9 |
| ◆224772 | 480 | S | 1.850 | 2.835 | 2.841 | 0.315 | ◆225410 | # | S | 2.126 | 2.598 | 2.605 | 0.295 |
| | | | 47 | 72 | 72.16 | 8 | | | | 54 | 66 | 66.17 | 7.50 |
| ◆224810 | 320 | N | 1.890 | 2.441 | 2.452 | 0.276 | ◆225420 | 320 | S | 2.126 | 2.835 | 2.844 | 0.394 |
| | | | 48 | 62 | 62.28 | 7 | | | | 54 | 72 | 72.25 | 10 |
| 224815 | 400 | N | 1.890 | 2.913 | 2.925 | 0.394 | ◆225450 | 320 | S | 2.126 | 3.228 | 3.240 | 0.315 |
| ◆224820 | 320 | S | 1.890 | 2.441 | 2.452 | 0.315 | | | | 54 | 82 | 82.30 | 8 |
| | | | 48 | 62 | 62.28 | 8 | 225460 | 320 | S | 2.126 | 3.346 | 3.356 | 0.394 |
| ◆224835→ | 320 | N | 1.890 | 2.677 | 2.688 | 0.433 | ◆225500 | 320 | S | 2.165 | 2.677 | 2.688 | 0.315 |
| | | | 48 | 68 | 68.28 | 11 | | | | 55 | 68 | 68.28 | 8 |
| ◆224840→ | 320 | S | 1.890 | 2.677 | 2.688 | 0.433 | ◆225505 | 320 | S | 2.165 | 2.756 | 2.761 | 0.354 |
| | | | 48 | 68 | 68.28 | 11 | | | | 55 | 70 | 70.13 | 9 |
| ◆224850 | 350 | S | 1.890 | 2.835 | 2.846 | 0.335 | ◆225530 | 350 | S | 2.165 | 2.835 | 2.844 | 0.315 |
| | | | 48 | 72 | 72.29 | 8.50 | | | | 55 | 72 | 72.24 | 8 |
| ◆224865 | 320 | S | 1.890 | 2.559 | 2.570 | 0.354 | ◆225535 | 320 | S | 2.165 | 2.835 | 2.846 | 0.394 |
| | | | 48 | 65 | 65.28 | 9 | | | | 55 | 72 | 72.29 | 10 |
| ◆224870 | 470 | S | 1.890 | 2.874 | 2.878 | 0.276 | ◆225540 | 320 | S | 2.047 | 2.835 | 2.846 | 0.295 |
| | | | 48 | 73 | 73.10 | 7 | | | | 52 | 72 | 72.29 | 7.50 |
| ◆224872 | 320 | S | 1.890 | 2.835 | 2.846 | 0.335 | ◆225545 | 350 | S | 2.165 | 2.953 | 2.962 | 0.394 |
| | | | 48 | 72 | 72.29 | 8.50 | | | | 55 | 75 | 75.24 | 10 |
| ◆224874 | 320 | S | 1.890 | 2.913 | 2.924 | 0.394 | ◆225650 | 320 | S | 2.205 | 2.835 | 2.840 | 0.354 |
| | | | 48 | 74 | 74.27 | 10 | | | | 56 | 72 | 72.14 | 9 |
| ◆224979 | 470 | N | 1.929 | 3.110 | 3.114 | - | ◆225673 | # | S | 2.205 | 2.874 | 2.880 | 0.295 |
| | | | 49 | 79 | 79.10 | - | | | | 56 | 73 | 73.15 | 7.50 |
| ◆225005 | 320 | S | 1.969 | 2.441 | 2.448 | 0.276 | ◆225678 | # | S | 2.205 | 3.071 | 3.082 | 0.295 |
| | | | 50 | 62 | 62.18 | 7 | | | | 56 | 78 | 78.28 | 7.50 |
| ◆225008 | 470 | S | 1.969 | 2.441 | 2.446 | 0.354 | ◆225775 | # | S | 2.205 | 2.953 | 2.966 | 0.276 |
| | | | 50 | 62 | 62.13 | 9 | | | | 56 | 75 | 75.33 | 7 |
| ◆225010 | 470 | S | 1.969 | 2.559 | 2.565 | 0.354 | ◆225874 | 1010 | N | 2.283 | 2.913 | 2.918 | 0.512 |
| | | | 50 | 65 | 65.15 | 9 | | | | 58 | 74 | 74.12 | 13 |

| Part Number | Style | Matl | Shaft | Bore | O.D. | Width | Part Number | Style | Matl | Shaft | Bore | O.D. | Width |
|-------------|-------|------|-------------|--------------|-----------------|---------------|-------------|-------|------|--------------|--------------|-----------------|---------------|
| ◆225875 | 320 | S | 2.283 58 | 2.953 75 | 2.964 75.29 | 0.354 9 | ◆228020 | 320 | S | 3.150 80 | 4.134 105 | 4.145 105.28 | 0.512 13 |
| ◆225877 | 350 | N | 2.283 58 | 3.031 77 | 3.042 77.27 | 0.335 8.50 | ◆228030 | 350 | S | 3.150 80 | 4.331 110 | 4.342 110.29 | 0.394 10 |
| ◆225880 | 350 | S | 2.283 58 | 3.150 80 | 3.161 80.29 | 0.315 8 | ◆228250← | 320 | H | 3.268 83 | 3.937 100 | 3.948 100.28 | 0.354 9 |
| 226001← | 250 | V | 2.362 | 2.913 | 2.917 | 0.394 | ◆228410← | 320 | V | 3.307 84 | 4.094 104 | 4.105 104.27 | 0.433 11 |
| ◆226015← | 320 | N | 2.362 60 | 2.953 75 | 2.964 75.29 | 0.354 9 | ◆228480← | 320 | H | 3.228 82 | 4.134 105 | 4.146 105.32 | 0.512 13 |
| ◆226018 | 350 | N | 2.362 60 | 3.071 78 | 3.082 78.28 | 0.354 9 | ◆228520 | 350 | S | 3.346 85 | 4.331 110 | 4.342 110.29 | 0.472 12 |
| ◆226150 | # | S | 2.402 61 | 2.992 76 | 3.003 76.28 | 0.276 7 | ◆228700← | 320 | H | 3.425 87 | 3.937 100 | 3.948 100.28 | 0.315 8 |
| ◆226285 | 410 | S | 2.441 62 | 3.346 85 | 3.353 85.17 | 0.315 8 | 229004← | 320 | H | 3.504 | 4.291 | 4.299 | 0.354 |
| ◆226480→ | 330 | H | 2.520 64 | 3.150 80 | 3.158 80.21 | 0.315 8 | ◆229005← | 320 | V | 3.543 90 | 4.331 110 | 4.342 110.29 | 0.354 9 |
| ◆226510→ | 320 | Y | 2.559 65 | 3.189 81 | 3.200 81.28 | 0.276 7 | ◆229006← | 320 | H | 3.543 90 | 4.331 110 | 4.342 110.29 | 0.354 9 |
| ◆226520 | 350 | S | 2.559 65 | 3.346 85 | 3.355 85.22 | 0.394 10 | ◆229010← | 320 | H | 3.543 90 | 4.331 110 | 4.342 110.29 | 0.354 9 |
| ◆226530 | 350 | S | 2.559 65 | 3.543 90 | 3.554 90.27 | 0.394 10 | ◆229210← | 320 | V | 3.583 91 | 4.331 110 | 4.342 110.29 | 0.335 8.50 |
| ◆226610 | 410 | N | 2.598 66 | 3.150 80 | 3.154 80.11 | 0.354 9 | 229520 | 350 | S | 3.740 | 5.118 | 5.129 | 0.472 |
| 226820 | 320 | H | 2.677 | 3.386 | 3.398 | 0.315 | ◆231002 | 350 | S | 3.937 100 | 4.724 120 | 4.730 120.13 | 0.472 12 |
| 226840 | # | V | 2.677 | 3.740 | 3.752 | 0.512 | ◆231003 | 350 | S | 3.937 100 | 4.921 125 | 4.935 125.35 | 0.472 12 |
| ◆227020← | 320 | H | 2.756 70 | 3.465 88 | 3.476 88.29 | 0.472 12 | ◆231004 | 320 | H | 3.937 100 | 4.724 120 | 4.735 120.27 | 0.433 11 |
| ◆227040← | 350 | H | 2.756 70 | 3.543 90 | 3.556 90.32 | 0.394 10 | 231052 | 320 | H | 4.134 | 4.724 | 4.732 | 0.433 |
| ◆227045← | 470 | H | 2.756 70 | 3.622 92 | 3.633 92.28 | 0.335 8.50 | 231204 | 350 | S | 4.724 | 5.709 | 5.720 | 0.472 |
| ◆227235← | 320 | H | 2.835 72 | 3.780 96 | 3.791 96.29 | 0.354 9 | ◆231250 | 350 | S | 4.921 125 | 5.906 150 | 5.920 150.37 | 0.472 12 |
| 227409 | 320 | H | 2.913 | 3.543 | 3.549 | 0.394 | 231402 | 350 | S | 5.512 | 6.299 | 6.310 | 0.512 |
| ◆227410→ | 320 | H | 2.913 74 | 3.858 98 | 3.869 98.27 | 0.472 12 | 239128 | # | S | 1.496 | 2.047 | 2.055 | 0.354 |
| ◆227530 | 350 | S | 2.953 75 | 3.740 95 | 3.751 95.28 | 0.394 10 | 239129 | # | S | 2.874 | 3.386 | 3.397 | 0.197 |
| ◆227540 | 320 | S | 2.953 75 | 3.937 100 | 3.948 100.28 | 0.394 10 | ◆239134 | # | S | 1.457 37 | 3.071 78 | 3.083 78.30 | 0.472 12 |
| ◆227550← | 320 | H | 2.953 75 | 3.937 100 | 3.948 100.28 | 0.512 13 | ◆239146← | 480 | S | 1.496 38 | 2.126 54 | 2.137 54.28 | 0.315 8 |
| ◆227610→ | 320 | H | 2.992 76 | 3.858 98 | 3.869 98.27 | 0.472 12 | ◆239201 | 320 | S | 1.575 40 | 2.047 52 | 2.058 52.27 | 0.591 15 |
| ◆228005← | 320 | V | 3.150 80 | 3.780 96 | 3.791 96.29 | 0.354 9 | 240009 | 240 | S | 0.625 | 1.124 | 1.135 | 0.175 |
| ◆228008← | 320 | X | 3.150 80 | 3.858 98 | 3.869 98.27 | 0.394 10 | 240023 | 240 | S | 0.625 | 1.375 | 1.385 | 0.175 |
| ◆228009← | 320 | H | 3.150 80 | 3.937 100 | 3.948 100.28 | 0.394 10 | 240119 | 240 | S | 0.500 | 0.999 | 1.010 | 0.175 |
| ◆228010← | 320 | H | 3.150 80 | 3.937 100 | 3.948 100.28 | 0.512 13 | 240151 | 240 | S | 1.125 | 1.561 | 1.572 | 0.187 |
| ◆228012 | 350 | S | 3.150 80 | 3.937 100 | 3.948 100.28 | 0.394 10 | 240215 | 240 | S | 0.875 | 1.624 | 1.634 | 0.187 |
| ◆228015→ | 320 | H | 3.150 80 | 3.937 100 | 3.948 100.28 | 0.512 13 | 240319 | 240 | S | 1.500 | 2.000 | 2.010 | 0.187 |
| | | | | | | | 240356 | 240 | S | 1.250 | 1.686 | 1.691 | 0.188 |
| | | | | | | | 240385 | 240 | S | 0.375 | 0.750 | 0.760 | 0.175 |
| | | | | | | | 240414 | 240 | S | 1.000 | 1.437 | 1.447 | 0.187 |
| | | | | | | | 240435 | 240 | S | 0.250 | 0.750 | 0.760 | 0.175 |
| | | | | | | | 240457 | 240 | S | 0.984 | 1.828 | 1.838 | 0.187 |
| | | | | | | | 240462 | 240 | S | 1.000 | 1.936 | 1.948 | 0.187 |
| | | | | | | | 240470 | 240 | S | 0.437 | 0.875 | 0.885 | 0.175 |

| Part Number | Style | Matl | Shaft | Bore | O.D. | Width | Part Number | Style | Matl | Shaft | Bore | O.D. | Width |
|------------------|-------|------|-------|-------|-------|-------|------------------|------------------|------|-------|-------|-------|-------|
| 240698 | 240 | S | 0.312 | 0.625 | 0.635 | 0.175 | ◆254808XX | 320 | S | 0.984 | 1.89 | 1.898 | 0.315 |
| 240716 | 240 | S | 1.312 | 1.752 | 1.760 | 0.187 | | 25 | 48 | 48.20 | 8 | | |
| 240731 | 240 | S | 1.000 | 1.250 | 1.256 | 0.126 | | 25 | 50 | 50.28 | 10 | | |
| 240733 | 240 | S | 0.874 | 1.125 | 1.131 | 0.125 | ◆255207XX | 350 | S | 0.984 | 2.047 | 2.058 | 0.276 |
| 240735 | 240 | S | 0.750 | 1.000 | 1.006 | 0.126 | | 25 | 52 | 52.27 | 7 | | |
| 240736 | 240 | S | 1.250 | 1.499 | 1.509 | 0.156 | | 25 | 52 | 52.20 | 8 | | |
| 240816 | 240 | S | 0.750 | 1.062 | 1.071 | 0.188 | ◆255210XX | 350 | S | 0.984 | 2.047 | 2.055 | 0.315 |
| 240949 | 240 | S | 1.250 | 1.250 | 1.838 | 0.187 | | 25 | 52 | 52.20 | 10 | | |
| ◆243507XX | 350 | S | 0.945 | 1.378 | 1.387 | 0.276 | | ◆256210XX | 320 | S | 0.984 | 2.441 | 2.452 |
| | 24 | 35 | 35.23 | 7 | 25 | 62 | 62.28 | | 10 | | | | |
| | 24 | 37 | 37.23 | 7 | 26 | 37 | 37.20 | | 7 | | | | |
| ◆243707XX | 350 | S | 0.945 | 1.457 | 1.466 | 0.276 | ◆263707XX | 320 | S | 1.024 | 1.457 | 1.465 | 0.276 |
| | 24 | 37 | 37.23 | 7 | 26 | 37 | | 37.20 | 7 | | | | |
| | 24 | 38 | 38.20 | 7 | | | | | | | | | |
| ◆243807XX | 320 | S | 0.945 | 1.496 | 1.504 | 0.276 | ◆263805XX | 320 | S | 1.024 | 1.496 | 1.504 | 0.197 |
| | 24 | 38 | 38.20 | 7 | 26 | 38 | | 38.20 | 5 | | | | |
| | 24 | 40 | 40.23 | 7 | 26 | 40 | | 40.20 | 7 | | | | |
| ◆244007XX | 350 | S | 0.945 | 1.575 | 1.584 | 0.276 | ◆264007XX | 320 | S | 1.024 | 1.575 | 1.583 | 0.276 |
| | 24 | 40 | 40.23 | 7 | 26 | 40 | | 40.20 | 7 | | | | |
| | 24 | 42 | 42.20 | 7 | 26 | 42 | | 42.20 | 7 | | | | |
| ◆244207XX | 320 | S | 0.945 | 1.645 | 1.661 | 0.276 | ◆264207XX | 320 | S | 1.024 | 1.654 | 1.661 | 0.276 |
| | 24 | 42 | 42.20 | 7 | 26 | 42 | | 42.20 | 7 | | | | |
| | 24 | 42 | 42.20 | 7 | 26 | 42 | | 42.20 | 7 | | | | |
| ◆244210XX | 320 | S | 0.945 | 1.654 | 1.663 | 0.394 | ◆264210XX | 350 | S | 1.024 | 1.654 | 1.663 | 0.394 |
| | 24 | 42 | 42.25 | 10 | 26 | 42 | | 42.23 | 10 | | | | |
| | 24 | 47 | 47.23 | 7 | 26 | 47 | | 47.23 | 7 | | | | |
| ◆244707XX | 350 | S | 0.945 | 1.85 | 1.859 | 0.276 | ◆264707XX | 350 | S | 1.024 | 1.85 | 1.859 | 0.276 |
| | 24 | 47 | 47.23 | 7 | 26 | 47 | | 47.23 | 7 | | | | |
| | 24 | 47 | 47.23 | 7 | 26 | 47 | | 47.23 | 7 | | | | |
| ◆245207XX | 320 | S | 0.945 | 2.047 | 2.055 | 0.276 | ◆264807XX | 320 | S | 1.024 | 1.89 | 1.899 | 0.276 |
| | 24 | 52 | 52.20 | 7 | 26 | 48 | | 48.23 | 7 | | | | |
| | 24 | 52 | 52.20 | 7 | 26 | 48 | | 48.23 | 7 | | | | |
| 251511 | 250 | S | 1.250 | 1.625 | 1.634 | 0.188 | ◆265208XX | 320 | S | 1.024 | 2.047 | 2.055 | 0.315 |
| 252277 | 250 | S | 1.000 | 1.375 | 1.381 | 0.252 | | 26 | 52 | 52.20 | 8 | | |
| | | | | | | | | 26 | 52 | 52.20 | 8 | | |
| 252450 | 250 | S | 0.750 | 1.311 | 1.317 | 0.311 | ◆273707XX | 350 | S | 1.063 | 1.457 | 1.463 | 0.276 |
| 253099 | 250 | S | 1.500 | 1.874 | 1.879 | 0.250 | | 27 | 37 | 37.15 | 7 | | |
| ◆253506XX | 320 | S | 0.984 | 1.378 | 1.386 | 0.236 | | 27 | 37 | 37.15 | 7 | | |
| ◆253506XX | 320 | S | 0.984 | 1.378 | 1.388 | 0.276 | ◆274210XX | 350 | S | 1.063 | 1.654 | 1.663 | 0.394 |
| | 25 | 35 | 35.20 | 6 | 27 | 42 | | 42.23 | 10 | | | | |
| | 25 | 35 | 35.25 | 7 | 27 | 42 | | 42.23 | 10 | | | | |
| ◆253607XX | 320 | S | 0.984 | 1.417 | 1.426 | 0.276 | ◆274308XX | 320 | S | 1.063 | 1.693 | 1.701 | 0.315 |
| | 25 | 36 | 36.23 | 7 | 27 | 43 | | 43.20 | 8 | | | | |
| | 25 | 36 | 36.23 | 7 | 27 | 43 | | 43.20 | 8 | | | | |
| ◆253608XX | 350 | S | 0.984 | 1.417 | 1.426 | 0.315 | ◆274508XX | 350 | S | 1.063 | 1.772 | 1.781 | 0.315 |
| | 25 | 36 | 36.22 | 8 | 27 | 45 | | 45.25 | 8 | | | | |
| | 25 | 36 | 36.22 | 8 | 27 | 45 | | 45.25 | 8 | | | | |
| ◆253707XX | 320 | S | 0.984 | 1.457 | 1.465 | 0.276 | ◆274710XX | 350 | S | 1.063 | 1.85 | 1.859 | 0.394 |
| | 25 | 37 | 37.20 | 7 | 27 | 47 | | 47.23 | 10 | | | | |
| | 25 | 37 | 37.20 | 7 | 27 | 47 | | 47.23 | 10 | | | | |
| 253747 | 250 | S | 0.625 | 0.875 | 0.880 | 0.125 | ◆275208XX | 350 | S | 1.063 | 2.047 | 2.055 | 0.315 |
| ◆253807XX | 350 | S | 0.984 | 1.496 | 1.505 | 0.276 | | 27 | 52 | 52.20 | 8 | | |
| | 25 | 38 | 38.23 | 7 | 27 | 52 | | 52.20 | 8 | | | | |
| | 25 | 38 | 38.23 | 7 | 28 | 38 | 38.23 | 7 | | | | | |
| ◆254007XX | 350 | S | 0.984 | 1.575 | 1.583 | 0.276 | ◆283807XX | 350 | S | 1.102 | 1.496 | 1.505 | 0.276 |
| | 25 | 40 | 40.22 | 7 | 28 | 38 | | 38.23 | 7 | | | | |
| | 25 | 40 | 40.22 | 7 | 28 | 38 | | 38.23 | 7 | | | | |
| ◆254206XX | 350 | S | 0.984 | 1.654 | 1.661 | 0.236 | ◆284007XX | 350 | S | 1.102 | 1.575 | 1.585 | 0.276 |
| | 25 | 42 | 42.20 | 6 | 28 | 40 | | 40.26 | 7 | | | | |
| | 25 | 42 | 42.20 | 6 | 28 | 40 | | 40.26 | 7 | | | | |
| ◆254208XX | 320 | S | 0.984 | 1.654 | 1.661 | 0.315 | ◆284008XX | 320 | S | 1.102 | 1.575 | 1.583 | 0.315 |
| | 25 | 42 | 42.20 | 8 | 28 | 40 | | 40.20 | 8 | | | | |
| | 25 | 42 | 42.20 | 8 | 28 | 40 | | 40.20 | 8 | | | | |
| ◆254210XX | 350 | S | 0.984 | 1.654 | 1.665 | 0.394 | ◆284208XX | 350 | S | 1.102 | 1.654 | 1.663 | 0.315 |
| | 25 | 42 | 42.28 | 10 | 28 | 42 | | 42.23 | 8 | | | | |
| | 25 | 42 | 42.28 | 10 | 28 | 42 | | 42.23 | 8 | | | | |
| 254270 | 250 | S | 0.750 | 1.124 | 1.130 | 0.189 | ◆284406XX | 320 | N | 1.102 | 1.732 | 1.741 | 0.236 |
| 254287 | 250 | S | 0.875 | 1.250 | 1.256 | 0.189 | | 28 | 44 | 44.23 | 6 | | |
| | 25 | 46 | 46.20 | 7 | 28 | 44 | | 44.23 | 6 | | | | |
| | 25 | 46 | 46.20 | 7 | 28 | 44 | 44.23 | 6 | | | | | |
| ◆254508XX | 350 | S | 0.984 | 1.772 | 1.781 | 0.315 | ◆284508XX | 320 | S | 1.102 | 1.772 | 1.78 | 0.315 |
| | 25 | 45 | 45.23 | 8 | 28 | 45 | | 45.20 | 8 | | | | |
| | 25 | 45 | 45.23 | 8 | 28 | 45 | | 45.20 | 8 | | | | |
| ◆254607XX | 320 | S | 0.984 | 1.811 | 1.819 | 0.276 | ◆284707XX | 350 | S | 1.102 | 1.85 | 1.859 | 0.276 |
| | 25 | 46 | 46.20 | 7 | 28 | 47 | | 47.22 | 7 | | | | |
| | 25 | 46 | 46.20 | 7 | 28 | 47 | | 47.22 | 7 | | | | |
| ◆254707XX | 350 | S | 0.984 | 1.85 | 1.859 | 0.276 | ◆284808XX | 320 | S | 1.102 | 1.89 | 1.898 | 0.315 |
| | 25 | 47 | 47.23 | 7 | 28 | 48 | | 48.20 | 8 | | | | |
| | 25 | 47 | 47.23 | 7 | 28 | 48 | | 48.20 | 8 | | | | |
| ◆254707XX | 350 | S | 0.984 | 1.85 | 1.859 | 0.276 | ◆285207XX | 350 | S | 1.102 | 2.047 | 2.056 | 0.276 |
| | 25 | 47 | 47.23 | 7 | 28 | 52 | | 52.23 | 7 | | | | |
| | 25 | 47 | 47.23 | 7 | 28 | 52 | | 52.23 | 7 | | | | |
| 291099 | 290 | F | 1.625 | 2.562 | 2.566 | 0.375 | 291099 | 290 | F | 1.625 | 2.562 | 2.566 | 0.375 |
| 291295 | 290 | F | 1.840 | 2.400 | 2.404 | 0.235 | 291295 | 290 | F | 1.840 | 2.400 | 2.404 | 0.235 |

| Part Number | Style | Matl | Shaft | Bore | O.D. | Width | Part Number | Style | Matl | Shaft | Bore | O.D. | Width |
|-------------|-------|------|-------------|-------------|----------------|-------------|-------------|-------|------|-------------|-------------|----------------|-------------|
| 292594 | 290 | F | 2.000 | 2.635 | 2.639 | 0.235 | 321460 | 320 | S | 1.781 | 2.258 | 2.269 | 0.374 |
| 296470 | 290 | F | 3.250 | 4.249 | 4.254 | 0.375 | 321516 | 320 | S | 1.000 | 2.441 | 2.447 | 0.375 |
| ◆304007XX | 350 | S | 1.181 30 | 1.575 40 | 1.584 40.23 | 0.276 7 | 322353 | 320 | S | 1.250 | 1.686 | 1.695 | 0.252 |
| ◆304207XX | 350 | S | 1.181 30 | 1.654 42 | 1.661 42.20 | 0.276 7 | 322373 | 320 | S | 1.500 | 2.250 | 2.260 | 0.312 |
| ◆304407XX | 250 | S | 1.181 30 | 1.732 44 | 1.743 44.28 | 0.276 7 | 323119 | 320 | S | 1.750 | 2.715 | 2.721 | 0.437 |
| ◆304505XX | 320 | S | 1.181 30 | 1.772 45 | 1.78 45.22 | 0.197 5 | 323125 | 320 | S | 1.375 | 2.717 | 2.723 | 0.375 |
| ◆304508XX | 320 | S | 1.181 30 | 1.772 45 | 1.78 45.20 | 0.315 8 | 323126 | 320 | S | 1.250 | 1.687 | 1.696 | 0.313 |
| ◆304607XX | 320 | S | 1.181 30 | 1.811 46 | 1.819 46.20 | 0.276 7 | 323133 | 320 | S | 1.125 | 1.781 | 1.790 | 0.409 |
| ◆304707XX | 350 | S | 1.181 30 | 1.85 47 | 1.86 47.25 | 0.276 7 | 323138 | 320 | S | 1.375 | 1.828 | 1.834 | 0.250 |
| ◆304808XX | 350 | S | 1.181 30 | 1.89 48 | 1.901 48.28 | 0.315 8 | 324112 | 320 | S | 0.500 | 1.156 | 1.166 | 0.250 |
| ◆305007XX | 350 | S | 1.181 30 | 1.969 50 | 1.978 50.23 | 0.276 7 | 324204 | 320 | V | 1.535 | 2.244 | 2.259 | 0.380 |
| ◆305008XX | 480 | S | 1.181 30 | 1.969 50 | 1.976 50.20 | 0.315 8 | ◆324207XX | 350 | S | 1.26 32 | 1.654 42 | 1.661 42.20 | 0.276 7 |
| ◆305207XX | 350 | S | 1.181 30 | 2.047 52 | 2.056 52.23 | 0.276 7 | ◆324208XX | 320 | S | 1.26 32 | 1.654 42 | 1.661 42.20 | 0.315 8 |
| ◆305510XX | 350 | S | 1.181 30 | 2.165 55 | 2.176 55.28 | 0.394 10 | ◆324307XX | 320 | S | 1.26 32 | 1.693 43 | 1.701 43.20 | 0.276 7 |
| ◆305608XX | 350 | S | 1.181 30 | 2.205 56 | 2.213 56.20 | 0.315 8 | ◆324507XX | 320 | S | 1.26 32 | 1.772 45 | 1.781 45.23 | 0.276 7 |
| ◆306207XX | 350 | S | 1.181 30 | 2.441 62 | 2.452 62.28 | 0.276 7 | ◆324606XX | 320 | S | 1.26 32 | 1.811 46 | 1.82 46.23 | 0.236 6 |
| ◆306207XX | 350 | S | 1.181 30 | 2.441 62 | 2.452 62.08 | 0.276 7 | ◆324707XX | 350 | S | 1.26 32 | 1.85 47 | 1.859 47.23 | 0.276 7 |
| ◆307210XX | 350 | S | 1.181 30 | 2.835 72 | 2.845 72.27 | 0.394 10 | ◆324808XX | 350 | S | 1.26 32 | 1.89 48 | 1.898 48.20 | 0.315 8 |
| 310841 | 310 | S | 2.750 | 3.125 | 3.130 | 0.187 | 324939 | 320 | S | 1.625 | 2.116 | 2.127 | 0.312 |
| 311189 | 310 | S | 0.375 | 0.687 | 0.693 | 0.156 | 324941 | 320 | S | 1.750 | 2.565 | 2.571 | 0.313 |
| 312140 | 310 | S | 1.125 | 1.502 | 1.506 | 0.250 | ◆325008XX | 350 | S | 1.26 32 | 1.969 50 | 1.978 50.23 | 0.315 8 |
| 312196 | 310 | S | 0.500 | 0.843 | 0.848 | 0.250 | ◆325207XX | 350 | S | 1.26 32 | 2.047 52 | 2.058 52.28 | 0.276 7 |
| 312518 | 310 | S | 0.750 | 1.000 | 1.006 | 0.126 | ◆325410XX | 320 | S | 1.26 32 | 2.126 54 | 2.135 54.23 | 0.394 10 |
| 313842 | 310 | S | 1.125 | 1.438 | 1.444 | 0.215 | ◆325610XX | 350 | S | 1.26 32 | 2.205 56 | 2.216 56.28 | 0.394 10 |
| 314259 | 310 | S | 0.563 | 0.875 | 0.881 | 0.188 | ◆325808XX | 320 | S | 1.26 32 | 2.283 58 | 2.291 58.20 | 0.315 8 |
| 314267N | 310 | N | 0.625 | 1.000 | 1.006 | 0.125 | ◆326008XX | 320 | S | 1.26 32 | 2.362 60 | 2.37 60.20 | 0.315 8 |
| ◆314408XX | 320 | S | 1.22 31 | 1.732 44 | 1.74 44.20 | 0.315 8 | ◆326010XX | 480 | S | 1.26 32 | 2.362 60 | 2.37 60.20 | 0.394 10 |
| 320249 | 320 | V | 1.378 | 1.890 | 1.898 | 0.299 | ◆326208XX | 320 | S | 1.26 32 | 2.441 62 | 2.449 62.20 | 0.315 8 |
| 320259→ | 320 | V | 1.998 | 2.878 | 2.884 | 0.374 | ◆327208XX | 320 | S | 1.26 32 | 2.835 72 | 2.843 72.20 | 0.315 8 |
| 320348 | 320 | V | 1.260 | 1.772 | 1.780 | 0.236 | 327215 | 320 | S | 4.000 | 4.998 | 5.006 | 0.468 |
| 320457 | 320 | S | 0.472 | 1.000 | 1.006 | 0.375 | 327303 | 320 | S | 4.500 | 5.251 | 5.259 | 0.437 |
| ◆320564→ | 320 | V | 1.772 45 | 2.677 68 | 2.688 68.28 | 0.472 12 | 327878 | 320 | S | 1.312 | - | - | 0.350 |
| ◆320583→ | 320 | S | 1.693 43 | 2.362 60 | 2.373 60.27 | 0.354 9 | ◆327995← | 320 | V | 2.992 76 | 3.622 92 | 3.633 92.28 | 0.394 10 |
| ◆320595← | 320 | S | 1.142 29 | 1.772 45 | 1.781 45.24 | 0.315 8 | 330385 | 330 | S | 0.375 | 0.750 | 0.756 | 0.252 |
| 320691 | 320 | V | 3.228 | 3.918 | 3.928 | 0.500 | 330414 | 330 | S | 1.000 | 1.437 | 1.441 | 0.250 |
| 321267 | 320 | S | 0.875 | 1.375 | 1.381 | 0.250 | 330663 | 330 | S | 1.375 | 1.874 | 1.880 | 0.311 |
| | | | | | | | 330699 | 330 | S | 0.500 | 0.875 | 0.879 | 0.187 |
| | | | | | | | 330749V | 330 | V | 1.562 | 2.062 | 2.066 | 0.250 |
| | | | | | | | 331107N | 330 | H | 2.000 | 2.742 | 2.748 | 0.375 |

| Part Number | Style | Matl | Shaft | Bore | O.D. | Width | Part Number | Style | Matl | Shaft | Bore | O.D. | Width |
|-------------|-------|------|-------|--------|--------|-------|-------------|-------|------|-------|-------|-------|-------|
| 331173 | 330 | S | 0.701 | 1.160 | 1.164 | 0.250 | 342613 | 340 | S | 0.500 | 0.874 | 0.883 | 0.125 |
| 331227H | 330 | H | 1.875 | 2.623 | 2.629 | 0.375 | 342805 | 340 | S | 0.500 | 0.687 | 0.696 | 0.094 |
| 331228H→ | 750 | N | 1.500 | 2.250 | 2.256 | 0.313 | 343098 | 340 | S | 1.000 | 1.247 | 1.253 | 0.187 |
| 331301N | 330 | N | 2.000 | 2.562 | 2.566 | 0.528 | 343099 | 340 | S | 1.500 | 1.874 | 1.880 | 0.250 |
| 332062→ | 330 | S | 1.868 | 2.518 | 2.524 | 0.469 | 343101 | 340 | S | 0.437 | 0.625 | 0.634 | 0.126 |
| 332134 | 330 | S | 2.062 | 2.561 | 2.565 | 0.312 | 343104 | 340 | S | 0.250 | 0.500 | 0.509 | 0.125 |
| 332271N | 330 | N | 2.328 | 3.000 | 3.006 | 0.375 | 343105 | 340 | S | 0.625 | 0.937 | 0.943 | 0.188 |
| ◆334111 | 330 | S | 1.693 | 2.126 | 2.132 | 0.295 | 343123 | 340 | S | 1.000 | 1.563 | 1.569 | 0.187 |
| | | | 43 | 54 | 54.15 | 7.50 | 343185 | 340 | S | 0.750 | 1.125 | 1.131 | 0.156 |
| ◆335012XX | 320 | S | 1.299 | 1.969 | 1.978 | 0.472 | 343186 | 340 | S | 1.250 | 1.500 | 1.509 | 0.125 |
| | | | 33 | 50 | 50.25 | 12 | ◆344508XX | 320 | S | 1.339 | 1.772 | 1.78 | 0.315 |
| ◆335206XX | 320 | S | 1.299 | 2.047 | 2.057 | 0.236 | | | | 34 | 45 | 45.20 | 8 |
| | | | 33 | 52 | 52.25 | 6 | 345035 | 340 | S | 4.000 | 4.999 | 5.008 | 0.312 |
| 335924N | 330 | N | 4.000 | 4.562 | 4.568 | 0.375 | 345146 | 340 | S | 3.500 | 4.499 | 4.508 | 0.250 |
| | | | | | | | ◆345208XX | 320 | S | 1.339 | 2.047 | 2.058 | 0.315 |
| | | | | | | | | | | 34 | 52 | 52.28 | 8 |
| 337426N | 330 | N | 9.250 | 10.250 | 10.258 | 0.500 | ◆345409XX | 350 | S | 1.339 | 2.126 | 2.134 | 0.354 |
| 340009 | 340 | S | 0.625 | 1.124 | 1.133 | 0.250 | | | | 34 | 54 | 54.20 | 9 |
| 340009S | 340 | S | 0.625 | 1.124 | 1.133 | 0.250 | 345448 | 340 | S | 5.250 | 6.250 | 6.264 | 0.251 |
| 340120 | 340 | S | 1.000 | 1.500 | 1.509 | 0.252 | ◆345509XX | 320 | S | 1.339 | 2.165 | 2.173 | 0.354 |
| 340136 | 340 | S | 1.500 | 2.250 | 2.258 | 0.250 | | | | 34 | 55 | 55.20 | 9 |
| | | | | | | | ◆346210XX | 350 | S | 1.339 | 2.441 | 2.448 | 0.394 |
| 340151 | 340 | S | 1.125 | 1.561 | 1.567 | 0.250 | | | | 34 | 62 | 62.18 | 10 |
| 340210 | 340 | S | 1.062 | 1.499 | 1.507 | 0.250 | 350156 | 350 | S | 0.375 | 0.875 | 0.884 | 0.311 |
| 340356 | 340 | S | 1.250 | 1.685 | 1.694 | 0.188 | | | | | | | |
| 340385 | 340 | S | 0.375 | 0.750 | 0.756 | 0.250 | 350364 | 350 | S | 0.312 | 0.750 | 0.759 | 0.252 |
| 340387 | 340 | S | 0.625 | 0.812 | 0.821 | 0.094 | 350394 | 350 | S | 1.500 | 2.125 | 2.131 | 0.437 |
| | | | | | | | 350414 | 350 | S | 1.000 | 1.437 | 1.443 | 0.252 |
| 340400 | 340 | S | 1.750 | 2.250 | 2.258 | 0.250 | 350435 | 350 | S | 0.250 | 0.750 | 0.759 | 0.244 |
| 340413 | 340 | S | 0.875 | 1.308 | 1.317 | 0.250 | 350567 | 350 | S | 0.875 | 1.375 | 1.384 | 0.252 |
| 340469 | 340 | S | 0.656 | 1.250 | 1.258 | 0.250 | | | | | | | |
| 340483 | 340 | S | 0.874 | 1.250 | 1.259 | 0.251 | ◆350572 | 350 | V | 1.575 | 2.835 | 2.844 | 0.276 |
| 340495 | 340 | S | 0.750 | 1.124 | 1.133 | 0.189 | | | | 40 | 72 | 72.24 | 7 |
| | | | | | | | ◆350609← | 350 | N | 1.732 | 2.677 | 2.688 | 0.315 |
| 340724 | 340 | S | 0.614 | 0.999 | 1.006 | 0.250 | | | | 44 | 68 | 68.28 | 8 |
| 340771 | 340 | S | 0.490 | 0.875 | 0.883 | 0.250 | 350679 | 350 | S | 0.750 | 1.250 | 1.259 | 0.313 |
| 340787 | 340 | S | 0.937 | 1.375 | 1.383 | 0.250 | 350877 | 350 | S | 0.875 | 1.575 | 1.581 | 0.250 |
| 340797 | 340 | S | 0.593 | 0.935 | 0.943 | 0.175 | 350909 | 350 | S | 1.000 | 1.500 | 1.509 | 0.311 |
| 340815 | 340 | S | 1.125 | 1.500 | 1.509 | 0.250 | | | | | | | |
| | | | | | | | 350936 | 350 | S | 1.875 | 2.561 | 2.567 | 0.313 |
| 340817 | 340 | S | 1.187 | 1.627 | 1.635 | 0.250 | 350954 | 350 | S | 0.750 | 1.250 | 1.259 | 0.252 |
| 340823 | 340 | S | 1.875 | 2.502 | 2.511 | 0.250 | 350974 | 350 | S | 1.125 | 1.850 | 1.859 | 0.311 |
| 340826 | 340 | S | 0.312 | 0.500 | 0.509 | 0.125 | 351028 | 350 | S | 0.490 | 1.122 | 1.132 | 0.265 |
| 340827 | 340 | S | 0.375 | 0.562 | 0.571 | 0.125 | 351255 | 350 | S | 0.625 | 1.374 | 1.383 | 0.251 |
| 340835 | 340 | S | 1.125 | 1.374 | 1.383 | 0.125 | | | | | | | |
| | | | | | | | 351267 | 350 | S | 0.875 | 1.375 | 1.384 | 0.252 |
| 340847 | 340 | S | 0.500 | 0.750 | 0.759 | 0.125 | 351466 | 350 | S | 0.625 | 1.125 | 1.134 | 0.252 |
| 340849 | 340 | S | 0.625 | 0.875 | 0.881 | 0.126 | 351487 | 350 | S | 0.625 | 1.000 | 1.009 | 0.252 |
| 340850 | 340 | S | 0.875 | 1.187 | 1.196 | 0.188 | 351646 | 350 | S | 0.875 | 1.624 | 1.630 | 0.250 |
| 340853 | 340 | S | 1.375 | 1.750 | 1.756 | 0.187 | 352354 | 350 | S | 1.375 | 1.875 | 1.884 | 0.250 |
| 340872 | 340 | S | 0.156 | 0.500 | 0.504 | 0.187 | | | | | | | |
| | | | | | | | 352444 | 350 | S | 1.436 | 2.062 | 2.073 | 0.250 |
| 340900 | 340 | S | 2.093 | 2.716 | 2.725 | 0.250 | 352521 | 350 | S | 1.500 | 2.000 | 2.011 | 0.252 |
| 340927 | 340 | S | 1.562 | 2.096 | 2.102 | 0.250 | 352541 | 350 | S | 2.000 | 2.502 | 2.513 | 0.252 |
| 340930 | 340 | S | 1.438 | 2.000 | 2.011 | 0.125 | 352560 | 350 | S | 1.125 | 1.561 | 1.567 | 0.250 |
| 341022 | 340 | S | 2.250 | 2.625 | 2.636 | 0.187 | 352637 | 350 | S | 2.250 | 3.035 | 3.046 | 0.374 |
| 342517 | 340 | S | 1.000 | 1.312 | 1.318 | 0.126 | | | | | | | |
| | | | | | | | 353120 | 350 | S | 1.875 | 2.397 | 2.408 | 0.250 |
| 342518 | 340 | S | 0.750 | 1.000 | 1.009 | 0.125 | | | | | | | |

| Part Number | Style | Matl | Shaft | Bore | O.D. | Width | Part Number | Style | Matl | Shaft | Bore | O.D. | Width |
|-------------|-------|------|-------------|-------------|-----------------|-------------|-------------|-------|------|-------------|-------------|----------------|-------------|
| 353131 | 350 | S | 0.812 | 1.375 | 1.381 | 0.250 | ◆364707XX | 350 | S | 1.417 36 | 1.85 47 | 1.858 47.20 | 0.276 7 |
| 353132 | 350 | S | 0.875 | 1.308 | 1.317 | 0.250 | ◆365007XX | 470 | S | 1.417 36 | 1.969 50 | 1.972 50.08 | 0.276 7 |
| 353135 | 350 | S | 1.250 | 1.686 | 1.692 | 0.219 | 365008 | 360 | S | 2.687 | 3.876 | 3.876 | 0.250 |
| 353137 | 350 | S | 1.281 | 2.000 | 2.006 | 0.250 | ◆365207XX | 350 | S | 1.417 36 | 2.047 52 | 2.055 52.20 | 0.276 7 |
| 353141 | 350 | S | 1.687 | 2.279 | 2.285 | 0.250 | ◆365408XX | 350 | S | 1.417 36 | 2.126 54 | 2.134 54.20 | 0.315 8 |
| 353890 | 350 | S | 2.375 | - | 3.375 | 0.510 | ◆365610XX | 350 | S | 1.417 36 | 2.205 56 | 2.215 56.25 | 0.394 10 |
| 354040 | 350 | T | 1.750 | 2.500 | 2.508 | 0.375 | ◆365808XX | 470 | S | 1.417 36 | 2.283 58 | 2.293 58.25 | 0.315 8 |
| 354041 | 350 | T | 1.771 | 2.622 | 2.628 | 0.500 | ◆365812XX | 350 | S | 1.417 36 | 2.283 58 | 2.293 58.23 | 0.472 12 |
| ◆354507XX | 350 | S | 1.378 35 | 1.772 45 | 1.778 45.15 | 0.276 7 | ◆366007XX | 320 | S | 1.417 36 | 2.362 60 | 2.37 60.20 | 0.276 7 |
| ◆354707XX | 350 | S | 1.378 35 | 1.85 47 | 1.859 47.23 | 0.276 7 | ◆366207XX | 320 | S | 1.417 36 | 2.441 62 | 2.452 62.28 | 0.276 7 |
| ◆354808XX | 320 | S | 1.378 35 | 1.89 48 | 1.898 48.20 | 0.315 8 | ◆366810XX | 350 | S | 1.417 36 | 2.677 68 | 2.688 68.28 | 0.394 10 |
| ◆355007XX | 350 | S | 1.378 35 | 1.969 50 | 1.976 50.20 | 0.276 7 | ◆375208XX | 350 | S | 1.457 37 | 2.047 52 | 2.058 52.28 | 0.315 8 |
| ◆355008XX | 350 | S | 1.378 35 | 1.969 50 | 1.9778 50.24 | 0.315 8 | ◆385007XX | 350 | S | 1.496 38 | 1.969 50 | 1.978 50.25 | 0.276 7 |
| 355200 | 350 | S | 4.500 | 5.500 | 5.514 | 0.500 | ◆385207XX | 320 | S | 1.496 38 | 2.047 52 | 2.055 52.20 | 0.276 7 |
| ◆355207XX | 350 | S | 1.378 35 | 2.047 52 | 2.055 52.20 | 0.276 7 | ◆385308XX | 320 | S | 1.496 38 | 2.087 53 | 2.094 53.20 | 0.315 8 |
| ◆355208XX | 330 | S | 1.378 35 | 2.047 52 | 2.052 52.13 | 0.315 8 | ◆385407XX | 480 | S | 1.496 38 | 2.126 54 | 2.133 54.18 | 0.276 7 |
| ◆355408XX | 350 | S | 1.378 35 | 2.126 54 | 2.134 54.20 | 0.315 8 | ◆385410XX | 320 | S | 1.496 38 | 2.126 54 | 2.133 54.18 | 0.394 10 |
| ◆355508XX | 470 | S | 1.378 35 | 2.165 55 | 2.174 55.10 | 0.315 8 | ◆385507XX | 350 | N | 1.496 38 | 2.165 55 | 2.174 55.23 | 0.276 7 |
| ◆355511XX | 320 | S | 1.378 35 | 2.165 55 | 2.174 55.23 | 0.433 11 | ◆385610XX | 350 | S | 1.496 38 | 2.205 56 | 2.216 56.28 | 0.394 10 |
| 355526 | 350 | S | 3.000 | 3.876 | 3.887 | 0.500 | ◆385808XX | 470 | S | 1.496 38 | 2.283 58 | 2.288 58.11 | 0.315 8 |
| ◆355608XX | 350 | S | 1.378 35 | 2.205 56 | 2.213 56.20 | 0.315 8 | ◆386008XX | 320 | S | 1.496 38 | 2.362 60 | 2.37 60.20 | 0.315 8 |
| ◆355610XX | 320 | S | 1.378 35 | 2.205 56 | 2.215 56.27 | 0.394 10 | ◆386010XX | 350 | S | 1.496 38 | 2.362 60 | 2.376 60.35 | 0.394 10 |
| 355669 | 350 | S | 3.040 | 3.937 | 3.946 | 0.250 | ◆386207XX | 350 | S | 1.496 38 | 2.441 62 | 2.452 62.28 | 0.276 7 |
| 355732 | 350 | S | 2.500 | 4.250 | 4.260 | 0.500 | ◆386508XX | 320 | S | 1.496 38 | 2.559 65 | 2.567 65.20 | 0.315 8 |
| ◆355810XX | 350 | S | 1.378 35 | 2.283 58 | 2.294 58.28 | 0.394 10 | ◆386808XX | 320 | S | 1.496 38 | 2.677 68 | 2.685 68.20 | 0.315 8 |
| ◆356010XX | 350 | S | 1.378 35 | 2.362 60 | 2.371 60.23 | 0.394 10 | ◆386810XX | 320 | S | 1.496 38 | 2.677 68 | 2.685 68.20 | 0.394 10 |
| ◆356207XX | 350 | S | 1.378 35 | 2.441 62 | 2.452 62.28 | 0.276 7 | ◆387010XX | 350 | S | 1.496 38 | 2.756 70 | 2.764 70.20 | 0.394 10 |
| ◆356210XX | 350 | S | 1.378 35 | 2.441 62 | 2.449 62.20 | 0.394 10 | ◆387210XX | 350 | S | 1.496 38 | 2.835 72 | 2.843 72.20 | 0.394 10 |
| ◆356408XX | 470 | N | 1.378 35 | 2.52 64 | 2.525 64.13 | 0.315 8 | ◆387408XX | 320 | S | 1.496 38 | 2.913 74 | 2.921 74.20 | 0.315 8 |
| ◆356508XX | 320 | S | 1.378 35 | 2.559 65 | 2.567 65.20 | 0.315 8 | ◆387411XX | 320 | N | 1.496 38 | 2.913 74 | 2.921 74.20 | 0.433 11 |
| ◆356510XX | 320 | S | 1.378 35 | 2.559 65 | 2.567 65.20 | 0.394 10 | ◆405008XX | 350 | S | 1.575 40 | 1.969 50 | 1.976 50.20 | 0.315 8 |
| ◆357008XX | 320 | S | 1.378 35 | 2.756 70 | 2.764 70.20 | 0.315 8 | | | | | | | |
| ◆357210XX | 350 | S | 1.378 35 | 2.835 72 | 2.846 72.28 | 0.394 10 | | | | | | | |
| 357262H← | 350 | S | 5.250 | - | - | 0.500 | | | | | | | |
| ◆358008XX | 320 | S | 1.378 35 | 3.15 80 | 3.15 80.20 | 0.315 8 | | | | | | | |

| Part Number | Style | Matl | Shaft | Bore | O.D. | Width | Part Number | Style | Matl | Shaft | Bore | O.D. | Width |
|-------------|-------|------|-------------|-------------|----------------|----------------|-------------|-------|------|-------------|-------------|----------------|------------|
| ◆405207XX | 350 | S | 1.575 40 | 2.047 52 | 2.057 52.25 | 0.276 7 | 410520 | 410 | S | 2.250 | 3.000 | 3.006 | 0.374 |
| ◆405406XX | 470 | S | 1.575 40 | 2.126 54 | 2.134 54.20 | 0.217 5.50 | 410524 | 410 | S | 1.875 | 3.371 | 3.376 | 0.468 |
| ◆405506XX | 350 | S | 1.575 40 | 2.165 55 | 2.173 55.20 | 0.256 6.50 | 410686N | 410 | N | 2.375 | 3.483 | 3.490 | 0.500 |
| ◆405508XX | 350 | S | 1.575 40 | 2.165 55 | 2.176 55.28 | 0.315 8 | 410694 | 410 | S | 2.312 | 3.350 | 3.355 | 0.375 |
| ◆405607XX | 320 | S | 1.575 40 | 2.205 56 | 2.213 56.20 | 0.276 7 | 410708 | 410 | S | 2.625 | 3.371 | 3.378 | 0.438 |
| ◆405710XX | 320 | S | 1.575 40 | 2.244 57 | 2.252 57.20 | 0.394 10 | 410737 | 410 | S | 2.250 | 3.189 | 3.194 | 0.437 |
| ◆405808XX | 350 | S | 1.575 40 | 2.283 58 | 2.291 58.20 | 0.315 8 | 410752 | 410 | S | 2.500 | 3.251 | 3.258 | 0.374 |
| ◆405810XX | 320 | S | 1.575 40 | 2.283 58 | 2.294 58.28 | 0.394 10 | 410791V | 410 | V | 0.625 | 1.124 | 1.128 | 0.312 |
| ◆406010XX | 350 | S | 1.575 40 | 2.362 60 | 2.37 60.20 | | 410825 | 410 | S | 2.375 | 3.623 | 3.628 | 0.375 |
| ◆406207XX | 350 | S | 1.575 40 | 2.441 62 | 2.449 62.20 | 0.276 7 | 410867N | 410 | N | 2.125 | 2.875 | 2.881 | 0.437 |
| ◆406208XX | 320 | S | 1.575 40 | 2.441 62 | 2.451 62.25 | 0.315 8 | 410972N | 410 | N | 2.125 | 3.371 | 3.376 | 0.468 |
| ◆406212XX | 350 | S | 1.575 40 | 2.441 62 | 2.451 62.25 | 0.563 11.50 | 410987 | 410 | S | 2.375 | 3.483 | 3.490 | 0.500 |
| ◆406510XX | 350 | S | 1.575 40 | 2.559 65 | 2.57 65.28 | 0.394 10 | 411160V | 410 | V | 2.312 | 3.000 | 3.005 | 0.500 |
| ◆406808XX | 350 | S | 1.575 40 | 2.677 68 | 2.709 68.80 | 0.315 8 | 411245 | 410 | S | 2.437 | 3.500 | 3.505 | 0.375 |
| ◆406812XX | 350 | S | 1.575 40 | 2.677 68 | 2.687 68.25 | 0.472 12 | 411253 | 410 | S | 2.250 | 3.350 | 3.355 | 0.375 |
| ◆407008XX | 320 | S | 1.575 40 | 2.756 70 | 2.764 70.20 | 0.315 8 | 411275 | 410 | V | 3.250 | 4.249 | 4.254 | 0.468 |
| ◆407207XX | 350 | S | 1.575 40 | 2.835 72 | 2.848 72.35 | 0.276 7 | 411330 | 410 | S | 2.598 | 3.481 | 3.488 | 0.438 |
| ◆407808XX | 320 | S | 1.575 40 | 3.071 78 | 3.102 78.80 | 0.315 8 | 411330N | 410 | N | 2.598 | 3.481 | 3.488 | 0.438 |
| ◆407810XX | 350 | S | 1.575 40 | 3.071 78 | 3.079 78.20 | 0.394 10 | 411348 | 410 | S | 2.812 | 4.249 | 4.254 | 0.468 |
| ◆408010XX | 350 | S | 1.575 40 | 3.15 80 | 3.161 80.28 | 0.394 10 | 411376 | 410 | S | 2.250 | 3.500 | 3.505 | 0.375 |
| ◆409008XX | 350 | S | 1.575 40 | 3.543 90 | 3.551 90.20 | 0.315 8 | 411394 | 410 | S | 2.312 | 3.251 | 3.256 | 0.375 |
| 410059 | 410 | S | 1.500 | 2.374 | 2.380 | 0.311 | 411500 | 410 | S | 2.437 | 3.350 | 3.355 | 0.375 |
| 410085 | 410 | S | 2.000 | 2.995 | 3.002 | 0.500 | 412015V | 410 | V | 2.125 | 3.000 | 3.006 | 0.374 |
| 410085N | 410 | N | 2.000 | 2.995 | 3.002 | 0.500 | 412027 | 410 | S | 2.000 | 3.251 | 3.256 | 0.437 |
| 410101N | 410 | N | 2.375 | 3.350 | 3.355 | 0.468 | 412028 | 410 | S | 2.000 | 3.350 | 3.355 | 0.468 |
| 410102 | 410 | S | 2.000 | 3.371 | 3.378 | 0.469 | 412038N | 410 | N | 2.375 | 3.251 | 3.256 | 0.437 |
| 410119 | 410 | S | 0.500 | 0.999 | 1.005 | 0.252 | 412040 | 410 | S | 2.438 | 3.251 | 3.258 | 0.438 |
| 410135 | 410 | S | 1.375 | 2.125 | 2.131 | 0.311 | 412119 | 410 | S | 2.375 | 3.350 | 3.355 | 0.375 |
| 410154 | 410 | S | 1.687 | 2.502 | 2.508 | 0.311 | 412473 | 410 | S | 3.374 | 4.375 | 4.382 | 0.374 |
| 410163 | 410 | S | 1.250 | 2.000 | 2.006 | 0.438 | 412725 | 410 | S | 2.000 | 3.150 | 3.155 | 0.375 |
| 410183N | 410 | N | 1.750 | 2.750 | 2.756 | 0.311 | 412798N | 410 | N | 2.062 | 3.000 | 3.005 | 0.437 |
| 410190 | 410 | S | 1.500 | 2.561 | 2.565 | 0.500 | 412861 | 410 | S | 2.375 | 3.543 | 3.550 | 0.500 |
| 410308 | 410 | S | 2.125 | 3.061 | 3.067 | 0.500 | 412871 | 410 | S | 2.625 | 3.350 | 3.355 | 0.375 |
| 410312N | 410 | N | 2.125 | 3.125 | 3.130 | 0.500 | 412920 | 410 | S | 2.250 | 3.371 | 3.378 | 0.374 |
| 410316 | 410 | S | 2.250 | 3.251 | 3.258 | 0.500 | 412920V | 410 | V | 2.250 | 3.371 | 3.378 | 0.374 |
| 410496 | 410 | S | 2.500 | 3.350 | 3.355 | 0.468 | 412943 | 410 | S | 2.187 | 3.350 | 3.355 | 0.375 |
| 410519 | 410 | S | 2.500 | 3.251 | 3.258 | 0.374 | 413246 | 410 | S | 2.375 | 3.251 | 3.258 | 0.374 |
| | | | | | | | 413247 | 410 | S | 2.375 | 3.371 | 3.378 | 0.375 |
| | | | | | | | 413248 | 410 | S | 2.625 | 3.371 | 3.378 | 0.438 |
| | | | | | | | 413469 | 410 | S | 2.125 | 3.350 | 3.355 | 0.375 |
| | | | | | | | 413470 | 410 | S | 2.125 | 3.371 | 3.372 | 0.375 |
| | | | | | | | 413472 | 410 | S | 2.187 | 3.371 | 3.376 | 0.375 |
| | | | | | | | 413478 | 410 | S | 2.437 | 3.371 | 3.376 | 0.375 |
| | | | | | | | 413479 | 410 | S | 2.562 | 3.481 | 3.486 | 0.375 |
| | | | | | | | ◆413818 | 410 | S | 1.969 50 | 2.756 70 | 2.760 70.10 | 0.276 7 |
| | | | | | | | 414045 | 410 | S | 1.875 | 2.782 | 2.786 | 0.500 |
| | | | | | | | 414268 | 410 | S | 1.625 | 3.000 | 3.004 | 0.312 |
| | | | | | | | 415001 | 410 | S | 2.500 | 3.543 | 3.548 | 0.500 |
| | | | | | | | 415001N | 410 | N | 2.500 | 3.543 | 3.548 | 0.500 |

| Part Number | Style | Matl | Shaft | Bore | O.D. | Width | Part Number | Style | Matl | Shaft | Bore | O.D. | Width |
|----------------|-------|------|--------|--------|--------|-------|------------------|-------|------|-------------|-------------|----------------|------------|
| 415003 | 410 | S | 2.625 | 3.623 | 3.630 | 0.469 | 415192N | 410 | N | 4.000 | 5.251 | 5.256 | 0.468 |
| 415004 | 410 | S | 2.750 | 3.751 | 3.758 | 0.374 | 415196 | 410 | S | 4.250 | 5.375 | 5.383 | 0.500 |
| 415007 | 410 | S | 2.625 | 3.876 | 3.881 | 0.468 | 415213N | 410 | N | 4.750 | 5.999 | 6.007 | 0.625 |
| 415009 | 410 | S | 2.750 | 3.876 | 3.883 | 0.438 | 415219 | 410 | S | 9.250 | 11.250 | 11.260 | 0.750 |
| 415009N | 410 | N | 2.750 | 3.876 | 3.883 | 0.438 | 415227 | 410 | S | 10.500 | 12.500 | 12.508 | 1.000 |
| 415012V | 410 | V | 2.937 | 4.003 | 4.008 | 0.468 | 415234 | 410 | S | 2.250 | 3.623 | 3.630 | 0.469 |
| 415013 | 410 | S | 3.000 | 4.003 | 4.010 | 0.437 | 415248N | 410 | N | 2.375 | 3.543 | 3.548 | 0.500 |
| 415013N | 410 | N | 3.000 | 4.003 | 4.010 | 0.437 | 415254 | 410 | S | 2.250 | 4.003 | 4.010 | 0.469 |
| 415016N | 410 | N | 3.125 | 4.249 | 4.254 | 0.625 | 415259 | 410 | S | 2.250 | 3.750 | 3.757 | 0.500 |
| 415021 | 410 | S | 3.125 | 4.999 | 5.004 | 0.468 | 415263 | 410 | S | 3.937 | 5.376 | 5.384 | 0.500 |
| 415023 | 410 | S | 3.250 | 4.999 | 5.004 | 0.468 | 415272N | 410 | N | 2.750 | 4.003 | 4.010 | 0.438 |
| 415025 | 410 | S | 3.375 | 4.999 | 5.004 | 0.468 | 415281N | 410 | N | 3.000 | 3.751 | 3.758 | 0.500 |
| 415027H | 410 | H | 3.500 | 4.999 | 5.004 | 0.468 | 415284 | 410 | S | 4.687 | 5.751 | 5.756 | 0.500 |
| 415027N | 410 | N | 3.500 | 4.999 | 5.004 | 0.468 | 415294 | 410 | S | 6.500 | 7.500 | 7.508 | 0.562 |
| 415034 | 410 | S | 3.937 | 4.999 | 5.004 | 0.468 | 415295 | 410 | S | 4.187 | 4.999 | 5.004 | 0.468 |
| 415035 | 410 | S | 4.000 | 4.998 | 5.006 | 0.468 | 415302 | 410 | S | 2.562 | 3.500 | 3.505 | 0.375 |
| 415036 | 410 | S | 4.000 | 5.501 | 5.506 | 0.562 | 415303 | 410 | S | 2.875 | 3.623 | 3.630 | 0.374 |
| 415041 | 410 | S | 4.000 | 5.751 | 5.756 | 0.562 | 415304 | 410 | S | 3.250 | 4.249 | 4.256 | 0.469 |
| 415043 | 410 | S | 4.125 | 5.751 | 5.756 | 0.562 | 415317 | 410 | S | 7.375 | 9.000 | 9.010 | 0.750 |
| 415045 | 410 | S | 4.250 | 5.751 | 5.756 | 0.562 | 415322 | 410 | S | 2.750 | 3.543 | 3.550 | 0.438 |
| 415047 | 410 | S | 4.375 | 5.751 | 5.756 | 0.562 | 415327 | 410 | S | 6.750 | 8.000 | 8.009 | 0.625 |
| 415052 | 410 | S | 8.000 | 10.125 | 10.133 | 0.750 | 415349 | 410 | S | 2.125 | 3.543 | 3.550 | 0.500 |
| 415058 | 410 | S | 4.250 | 6.250 | 6.256 | 0.562 | 415350 | 410 | S | 2.187 | 3.623 | 3.628 | 0.468 |
| 415060 | 410 | S | 4.375 | 6.250 | 6.256 | 0.562 | 415351 | 410 | S | 4.500 | 6.250 | 6.256 | 0.500 |
| 415064 | 410 | S | 4.625 | 6.250 | 6.256 | 0.562 | 415371 | 410 | S | 4.625 | 5.751 | 5.756 | 0.562 |
| 415066 | 410 | S | 4.750 | 6.251 | 6.259 | 0.563 | 415379 | 410 | S | 3.750 | 4.750 | 4.758 | 0.500 |
| 415072 | 410 | S | 6.000 | 7.500 | 7.508 | 0.562 | 415389 | 410 | S | 3.625 | 4.499 | 4.504 | 0.468 |
| 415074 | 410 | S | 6.125 | 7.500 | 7.508 | 0.562 | 415389N | 410 | N | 3.625 | 4.499 | 4.504 | 0.468 |
| 415076 | 410 | S | 11.500 | 13.500 | 13.508 | 0.750 | 415394 | 410 | S | 3.125 | 5.251 | 5.256 | 0.468 |
| 415077 | 410 | S | 11.500 | 13.000 | 13.010 | 0.750 | 415425 | 410 | S | 4.375 | 5.376 | 5.381 | 0.500 |
| 415082 | 410 | S | 2.500 | 3.876 | 3.881 | 0.468 | 415436 | 410 | S | 3.625 | 5.751 | 5.756 | 0.562 |
| 415082N | 410 | N | 2.500 | 3.876 | 3.881 | 0.468 | 415437 | 410 | S | 3.500 | 4.750 | 4.758 | 0.500 |
| 415085 | 410 | S | 3.313 | 4.500 | 4.507 | 0.438 | 415442 | 410 | S | 3.375 | 4.125 | 4.130 | 0.375 |
| 415086N | 410 | N | 3.000 | 4.249 | 4.254 | 0.468 | 415447 | 410 | S | 5.750 | 6.624 | 6.632 | 0.625 |
| 415088 | 410 | S | 3.000 | 4.501 | 4.508 | 0.433 | 415449 | 410 | S | 2.500 | 3.500 | 3.507 | 0.374 |
| 415090 | 410 | S | 9.000 | 11.000 | 11.008 | 0.750 | 415449V | 410 | V | 2.500 | 3.500 | 3.507 | 0.374 |
| 415098N | 410 | N | 2.562 | 3.500 | 3.505 | 0.500 | 415458 | 410 | S | 2.625 | 3.623 | 3.630 | 0.374 |
| 415116 | 410 | S | 7.250 | 8.750 | 8.759 | 0.750 | 415458V | 410 | V | 2.625 | 3.623 | 3.630 | 0.374 |
| 415124 | 410 | S | 8.250 | 10.250 | 10.260 | 0.750 | 415482 | 410 | S | 11.000 | 13.000 | 13.010 | 0.750 |
| 415128 | 410 | S | 8.750 | 10.750 | 10.758 | 0.750 | 415483 | 410 | S | 2.625 | 3.500 | 3.507 | 0.374 |
| 415137 | 410 | S | 3.250 | 4.500 | 4.507 | 0.438 | 415498 | 410 | S | 3.562 | 4.499 | 4.504 | 0.468 |
| 415138 | 410 | S | 4.750 | 5.750 | 5.758 | 0.500 | ◆415507XX | 320 | S | 1.614 41 | 2.165 55 | 2.177 55.29 | 0.276 7 |
| 415142 | 410 | S | 4.125 | 5.251 | 5.256 | 0.468 | 415551 | 410 | S | 7.500 | 9.000 | 9.010 | 0.750 |
| 415146 | 410 | S | 3.500 | 4.499 | 4.504 | 0.468 | 415551V | 410 | V | 7.500 | 9.000 | 9.010 | 0.750 |
| 415147 | 410 | S | 2.500 | 3.500 | 3.507 | 0.500 | 415559 | 410 | S | 3.500 | 5.251 | 5.256 | 0.468 |
| 415147N | 410 | N | 2.500 | 3.500 | 3.507 | 0.500 | 415563 | 410 | S | 3.250 | 4.003 | 4.008 | 0.468 |
| 415150 | 410 | S | 3.750 | 5.251 | 5.256 | 0.468 | 415577 | 410 | S | 3.250 | 4.723 | 4.729 | 0.468 |
| 415156N | 410 | N | 3.125 | 4.125 | 4.130 | 0.562 | ◆415607XX | 350 | S | 1.614 41 | 2.205 56 | 2.215 56.25 | 0.276 7 |
| 415164N | 410 | N | 3.375 | 4.376 | 4.381 | 0.625 | | | | | | | |
| 415187 | 410 | S | 4.000 | 4.876 | 4.881 | 0.625 | | | | | | | |

| Part Number | Style | Matl | Shaft | Bore | O.D. | Width | Part Number | Style | Matl | Shaft | Bore | O.D. | Width |
|-------------|-------|------|-------|--------|--------|-------|-------------|-------|------|--------|--------|--------|-------|
| 415610 | 410 | S | 5.500 | 7.000 | 7.007 | 0.625 | 416112 | 410 | S | 5.375 | 7.874 | 7.881 | 0.750 |
| 415627 | 410 | S | 2.000 | 3.500 | 3.505 | 0.500 | 416125 | 410 | S | 3.625 | 4.999 | 5.007 | 0.500 |
| 415645 | 410 | S | 5.250 | 6.500 | 6.507 | 0.562 | 416127 | 410 | S | 3.750 | 5.376 | 5.381 | 0.500 |
| 415656 | 410 | S | 8.000 | 9.000 | 9.010 | 0.750 | 416130 | 410 | S | 4.000 | 5.375 | 5.383 | 0.500 |
| 415683 | 410 | S | 6.000 | 7.000 | 7.008 | 0.500 | 416135 | 410 | S | 4.250 | 5.625 | 5.633 | 0.500 |
| 415697 | 410 | S | 3.875 | 5.125 | 5.133 | 0.500 | 416137 | 410 | S | 4.250 | 5.999 | 6.005 | 0.500 |
| 415711 | 410 | S | 3.562 | 4.625 | 4.631 | 0.500 | 416144 | 410 | S | 4.312 | 5.999 | 6.005 | 0.500 |
| 415725 | 410 | S | 5.000 | 6.001 | 6.009 | 0.500 | 416147 | 410 | S | 4.375 | 5.626 | 5.631 | 0.500 |
| 415832 | 410 | S | 3.625 | 5.375 | 5.381 | 0.500 | 416149 | 410 | S | 4.375 | 5.999 | 6.005 | 0.500 |
| 415836 | 410 | S | 3.000 | 4.003 | 4.010 | 0.437 | 416153 | 410 | S | 4.500 | 5.625 | 5.631 | 0.500 |
| 415854 | 410 | S | 6.250 | 7.875 | 7.884 | 0.750 | 416154 | 410 | S | 4.500 | 6.000 | 6.014 | 0.500 |
| 415857 | 410 | S | 2.375 | 3.601 | 3.608 | 0.437 | 416156 | 410 | S | 4.625 | 5.625 | 5.631 | 0.500 |
| 415867 | 410 | S | 7.500 | 8.500 | 8.510 | 0.625 | 416158 | 410 | S | 4.625 | 5.999 | 6.007 | 0.500 |
| 415871 | 410 | S | 9.375 | 11.375 | 11.385 | 0.750 | 416163 | 410 | S | 4.812 | 5.999 | 6.007 | 0.500 |
| 415876 | 410 | S | 7.000 | 9.313 | 9.321 | 0.625 | 416167 | 410 | S | 4.875 | 5.999 | 6.007 | 0.500 |
| 415876V | 410 | V | 7.000 | 9.313 | 9.321 | 0.625 | 416191 | 410 | S | 5.500 | 7.125 | 7.133 | 0.625 |
| 415894 | 410 | S | 3.375 | 4.376 | 4.383 | 0.500 | 416229 | 410 | S | 6.500 | 8.000 | 8.009 | 0.625 |
| 415897 | 410 | S | 5.000 | 6.877 | 6.884 | 0.625 | 416257 | 410 | S | 9.250 | 11.000 | 11.008 | 0.750 |
| 415899N | 410 | N | 3.500 | 4.375 | 4.381 | 0.562 | 416267 | 410 | S | 2.125 | 3.500 | 3.505 | 0.375 |
| 415937 | 410 | S | 3.625 | 4.750 | 4.758 | 0.500 | 416268 | 410 | S | 2.187 | 3.500 | 3.505 | 0.375 |
| 415938 | 410 | S | 5.375 | 6.624 | 6.632 | 0.562 | 416270 | 410 | S | 2.250 | 3.543 | 3.548 | 0.500 |
| 415953 | 410 | S | 4.000 | 4.999 | 5.007 | 0.500 | 416271 | 410 | S | 2.375 | 3.500 | 3.507 | 0.374 |
| 415958 | 410 | S | 3.875 | 5.376 | 5.381 | 0.500 | 416271A | 410 | A | 2.375 | 3.500 | 3.507 | 0.374 |
| 415960 | 410 | S | 2.750 | 3.876 | 3.883 | 0.438 | 416273 | 410 | S | 2.500 | 3.623 | 3.630 | 0.374 |
| 415962 | 410 | S | 3.000 | 4.331 | 4.336 | 0.500 | 416278 | 410 | S | 2.625 | 4.249 | 4.254 | 0.468 |
| 415983 | 410 | S | 3.750 | 4.500 | 4.507 | 0.468 | 416282 | 410 | S | 2.750 | 4.249 | 4.254 | 0.468 |
| 415983N | 410 | N | 3.750 | 4.500 | 4.507 | 0.468 | 416285 | 410 | S | 2.875 | 4.249 | 4.254 | 0.500 |
| 415983V | 410 | V | 3.750 | 4.500 | 4.507 | 0.468 | 416288 | 410 | S | 3.125 | 4.249 | 4.256 | 0.500 |
| 415984 | 410 | S | 2.750 | 3.623 | 3.630 | 0.374 | 416292 | 410 | S | 3.312 | 4.248 | 4.255 | 0.437 |
| 415988 | 410 | S | 2.562 | 3.623 | 3.625 | 0.375 | 416294 | 410 | S | 3.375 | 4.249 | 4.256 | 0.500 |
| 415991 | 410 | S | 3.500 | 4.501 | 4.506 | 0.438 | 416294V | 410 | V | 3.375 | 4.249 | 4.256 | 0.500 |
| 415991N | 410 | N | 3.500 | 4.501 | 4.506 | 0.438 | 416297 | 410 | S | 3.125 | 4.626 | 4.633 | 0.438 |
| 415995 | 410 | S | 3.000 | 4.003 | 4.008 | 0.375 | 416313 | 410 | S | 3.312 | 4.751 | 4.756 | 0.500 |
| 415995A | 410 | A | 3.000 | 4.003 | 4.008 | 0.375 | 416321 | 410 | S | 3.375 | 4.751 | 4.756 | 0.500 |
| 415995V | 410 | V | 3.000 | 4.003 | 4.008 | 0.375 | 416327 | 410 | S | 3.375 | 5.251 | 5.256 | 0.468 |
| 416008 | 410 | S | 6.750 | 8.500 | 8.509 | 0.625 | 416332 | 410 | S | 3.625 | 4.625 | 4.631 | 0.437 |
| 416011 | 410 | S | 3.125 | 4.125 | 4.132 | 0.500 | 416339 | 410 | S | 3.750 | 4.999 | 5.007 | 0.500 |
| 416024 | 410 | S | 3.125 | 4.751 | 4.756 | 0.500 | 416345 | 410 | S | 3.875 | 4.999 | 5.007 | 0.500 |
| 416029 | 410 | S | 5.750 | 7.874 | 7.881 | 0.750 | 416362 | 410 | S | 6.750 | 8.007 | 8.017 | 0.625 |
| 416029N | 410 | N | 5.750 | 7.874 | 7.881 | 0.750 | 416364 | 410 | S | 7.000 | 8.000 | 8.009 | 0.625 |
| 416039 | 410 | S | 5.750 | 7.500 | 7.508 | 0.562 | 416370 | 410 | S | 3.000 | 4.751 | 4.756 | 0.625 |
| 416041 | 410 | S | 3.750 | 4.626 | 4.633 | 0.500 | 416380 | 410 | S | 4.375 | 5.500 | 5.506 | 0.500 |
| 416043 | 410 | S | 3.875 | 5.751 | 5.756 | 0.562 | 416381 | 410 | S | 9.625 | 12.750 | 12.758 | 1.250 |
| 416044 | 410 | S | 7.250 | 8.250 | 8.257 | 0.625 | 416383 | 410 | S | 10.750 | 13.374 | 13.381 | 1.250 |
| 416047 | 410 | S | 3.625 | 4.626 | 4.633 | 0.500 | 416394 | 410 | S | 8.500 | 10.625 | 10.633 | 0.750 |
| 416070 | 410 | S | 4.500 | 6.125 | 6.131 | 0.562 | 416404 | 410 | S | 3.125 | 4.003 | 4.010 | 0.438 |
| 416071 | 410 | S | 2.375 | 3.751 | 3.756 | 0.500 | 416422 | 410 | S | 8.250 | 11.500 | 11.507 | 0.750 |
| 416077 | 410 | S | 7.125 | 8.625 | 8.632 | 0.562 | 416444 | 410 | S | 2.312 | 3.500 | 3.505 | 0.375 |
| 416102 | 410 | S | 7.625 | 8.625 | 8.632 | 0.562 | 416470N | 410 | N | 3.250 | 4.249 | 4.254 | 0.375 |
| 416107 | 410 | S | 5.500 | 6.750 | 6.758 | 0.575 | 416476 | 410 | S | 5.875 | 7.125 | 7.133 | 0.500 |

| Part Number | Style | Matl | Shaft | Bore | O.D. | Width | Part Number | Style | Matl | Shaft | Bore | O.D. | Width |
|-------------|-------|------|--------|--------|--------|-------|-------------|-------|------|-------|-------|-------|-------|
| 416500 | 410 | S | 2.938 | 3.938 | 3.945 | 0.500 | 417262 | 410 | S | 5.250 | 6.250 | 6.256 | 0.500 |
| 416556 | 410 | S | 4.250 | 5.250 | 5.258 | 0.500 | 417262V | 410 | V | 5.250 | 6.250 | 6.256 | 0.500 |
| 416557 | 410 | S | 5.125 | 6.125 | 6.131 | 0.500 | 417267 | 410 | S | 4.875 | 6.125 | 6.131 | 0.500 |
| 416624 | 410 | S | 3.500 | 4.376 | 4.383 | 0.500 | 417269 | 410 | S | 4.875 | 6.250 | 6.256 | 0.500 |
| 416624N | 410 | N | 3.500 | 4.376 | 4.383 | 0.500 | 417273 | 410 | S | 4.937 | 6.250 | 6.256 | 0.500 |
| 416654 | 410 | S | 2.937 | 4.003 | 4.008 | 0.375 | 417278 | 410 | S | 5.000 | 6.375 | 6.381 | 0.500 |
| 416657 | 410 | S | 8.875 | 10.122 | 10.130 | 0.750 | 417283 | 410 | S | 7.500 | 9.243 | 9.250 | 0.625 |
| 416664 | 410 | S | 2.750 | 3.500 | 3.507 | 0.374 | 417295 | 410 | S | 4.437 | 5.500 | 5.506 | 0.500 |
| 416666 | 410 | S | 5.750 | 7.001 | 7.008 | 0.562 | 417298 | 410 | S | 6.625 | 8.125 | 8.134 | 0.625 |
| 416670 | 410 | S | 3.687 | 5.250 | 5.256 | 0.468 | 417316 | 410 | S | 2.750 | 3.751 | 3.758 | 0.374 |
| 416674V | 410 | V | 7.000 | 8.375 | 8.382 | 0.750 | 417343 | 410 | S | 2.625 | 3.751 | 3.758 | 0.374 |
| 416706 | 410 | S | 2.750 | 4.003 | 4.008 | 0.375 | 417344 | 410 | S | 2.875 | 3.751 | 3.758 | 0.374 |
| 416738 | 410 | S | 2.062 | 3.190 | 3.194 | 0.437 | 417349 | 410 | S | 3.000 | 3.751 | 3.758 | 0.437 |
| 416775 | 410 | S | 2.937 | 4.250 | 4.254 | 0.468 | 417350 | 410 | S | 3.000 | 3.876 | 3.883 | 0.437 |
| 416865 | 410 | S | 5.000 | 6.251 | 6.250 | 0.500 | 417351 | 410 | S | 3.000 | 4.125 | 4.132 | 0.437 |
| 416888 | 410 | S | 4.500 | 5.500 | 5.508 | 0.500 | 417352 | 410 | S | 3.250 | 4.500 | 4.507 | 0.500 |
| 416891 | 410 | S | 4.250 | 5.500 | 5.508 | 0.500 | 417353 | 410 | S | 3.250 | 4.626 | 4.633 | 0.500 |
| 416892 | 410 | S | 4.500 | 5.750 | 5.758 | 0.500 | 417354 | 410 | S | 3.375 | 4.626 | 4.633 | 0.500 |
| 416919 | 410 | S | 3.687 | 4.501 | 4.506 | 0.500 | 417355 | 410 | S | 3.625 | 4.875 | 4.883 | 0.500 |
| 416919N | 410 | N | 3.687 | 4.501 | 4.506 | 0.500 | 417356 | 410 | S | 4.000 | 5.125 | 5.133 | 0.500 |
| 416921 | 410 | S | 2.875 | 4.003 | 4.010 | 0.374 | 417357 | 410 | S | 4.000 | 5.250 | 5.258 | 0.500 |
| 416951 | 410 | S | 8.250 | 10.625 | 10.633 | 0.750 | 417358 | 410 | S | 5.250 | 6.375 | 6.381 | 0.500 |
| 416956 | 410 | S | 2.937 | 3.751 | 3.756 | 0.375 | 417359 | 410 | S | 5.250 | 6.625 | 6.632 | 0.562 |
| 417016 | 410 | S | 7.875 | 10.000 | 10.008 | 0.625 | 417360 | 410 | S | 5.500 | 6.625 | 6.632 | 0.562 |
| 417020 | 410 | S | 10.000 | 12.000 | 12.008 | 0.625 | 417361 | 410 | S | 5.500 | 6.875 | 6.882 | 0.562 |
| 417022 | 410 | S | 8.375 | 10.375 | 10.385 | 0.625 | 417362 | 410 | S | 5.750 | 6.750 | 6.757 | 0.575 |
| 417040 | 410 | S | 5.625 | 7.125 | 7.131 | 0.500 | 417363 | 410 | S | 5.750 | 6.875 | 6.882 | 0.562 |
| 417073 | 410 | S | 2.437 | 3.543 | 3.548 | 0.375 | 417364 | 410 | S | 5.750 | 7.125 | 7.132 | 0.562 |
| 417079 | 410 | S | 2.625 | 3.543 | 3.548 | 0.375 | 417365 | 410 | S | 6.000 | 7.125 | 7.132 | 0.562 |
| 417082 | 410 | S | 2.625 | 4.003 | 4.008 | 0.375 | 417366 | 410 | S | 3.875 | 5.250 | 5.258 | 0.500 |
| 417115 | 410 | S | 7.750 | 10.000 | 10.008 | 0.750 | 417433 | 410 | S | 3.250 | 4.003 | 4.008 | 0.375 |
| 417134 | 410 | S | 2.875 | 4.125 | 4.130 | 0.375 | 417474 | 410 | S | 1.937 | 3.543 | 3.548 | 0.375 |
| 417158 | 410 | S | 2.875 | 3.876 | 3.883 | 0.374 | 417480 | 410 | S | 2.375 | 3.876 | 3.881 | 0.375 |
| 417159 | 410 | S | 2.937 | 3.876 | 3.881 | 0.375 | 417481 | 410 | S | 2.562 | 3.750 | 3.756 | 0.375 |
| 417171 | 410 | S | 3.125 | 4.376 | 4.383 | 0.500 | 417484 | 410 | S | 2.750 | 3.543 | 3.548 | 0.375 |
| 417172 | 410 | S | 3.125 | 4.500 | 4.507 | 0.500 | 417484N | 410 | N | 2.750 | 3.543 | 3.548 | 0.375 |
| 417181 | 410 | S | 3.250 | 4.376 | 4.383 | 0.500 | 417485 | 410 | S | 2.813 | 3.875 | 3.882 | 0.438 |
| 417191 | 410 | S | 3.375 | 4.500 | 4.507 | 0.500 | 417486 | 410 | S | 2.937 | 4.125 | 4.130 | 0.375 |
| 417196 | 410 | S | 3.500 | 4.626 | 4.633 | 0.500 | 417487 | 410 | S | 3.000 | 4.249 | 4.254 | 0.437 |
| 417198 | 410 | S | 3.500 | 4.875 | 4.881 | 0.500 | 417488 | 410 | S | 3.000 | 4.375 | 4.382 | 0.625 |
| 417205 | 410 | S | 3.750 | 4.875 | 4.883 | 0.500 | 417490 | 410 | S | 3.187 | 4.376 | 4.381 | 0.500 |
| 417210 | 410 | S | 3.875 | 4.751 | 4.756 | 0.375 | 417491 | 410 | S | 3.312 | 4.376 | 4.381 | 0.500 |
| 417211 | 410 | S | 3.875 | 4.875 | 4.883 | 0.500 | 417492 | 410 | S | 3.437 | 4.501 | 4.506 | 0.375 |
| 417223 | 410 | S | 4.000 | 6.250 | 6.256 | 0.500 | 417493 | 410 | S | 3.437 | 4.626 | 4.631 | 0.500 |
| 417238 | 410 | S | 4.312 | 6.250 | 6.256 | 0.500 | 417494 | 410 | S | 3.437 | 4.876 | 4.881 | 0.500 |
| 417247 | 410 | S | 4.750 | 6.001 | 6.009 | 0.500 | 417495 | 410 | S | 3.500 | 5.126 | 5.131 | 0.500 |
| 417252 | 410 | S | 4.750 | 6.125 | 6.131 | 0.500 | 417496 | 410 | S | 3.500 | 5.500 | 5.505 | 0.500 |
| 417254 | 410 | S | 5.500 | 6.500 | 6.507 | 0.562 | 417497 | 410 | S | 3.562 | 4.751 | 4.756 | 0.500 |
| 417255 | 410 | S | 7.000 | 8.375 | 8.382 | 0.625 | 417498 | 410 | S | 3.562 | 4.876 | 4.881 | 0.500 |
| 417258 | 410 | S | 5.125 | 6.250 | 6.256 | 0.500 | 417499 | 410 | S | 3.625 | 5.251 | 5.256 | 0.437 |

| Part Number | Style | Matl | Shaft | Bore | O.D. | Width | Part Number | Style | Matl | Shaft | Bore | O.D. | Width |
|-------------|-------|------|--------|--------|--------|-------|-------------|-------|------|--------|--------|--------|-------|
| 417500 | 410 | S | 3.625 | 5.501 | 5.506 | 0.500 | 417571 | 410 | S | 11.000 | 12.500 | 12.510 | 0.625 |
| 417501 | 410 | S | 3.687 | 4.750 | 4.756 | 0.500 | 417584 | 410 | S | 5.000 | 6.126 | 6.131 | 0.562 |
| 417502 | 410 | S | 3.687 | 5.501 | 5.506 | 0.500 | 417596 | 410 | S | 6.750 | 8.250 | 8.257 | 0.562 |
| 417503 | 410 | S | 3.750 | 5.501 | 5.506 | 0.500 | 417597 | 410 | S | 7.000 | 8.250 | 8.257 | 0.625 |
| 417504 | 410 | S | 3.812 | 4.876 | 4.881 | 0.500 | 417598 | 410 | S | 7.625 | 9.125 | 9.133 | 0.625 |
| 417505 | 410 | S | 3.875 | 5.501 | 5.506 | 0.500 | 417598V | 410 | V | 7.625 | 9.125 | 9.133 | 0.625 |
| 417507 | 410 | S | 4.000 | 5.626 | 5.632 | 0.375 | 417600 | 410 | S | 8.000 | 9.250 | 9.258 | 0.625 |
| 417509 | 410 | S | 4.000 | 5.999 | 6.005 | 0.500 | 417601 | 410 | S | 8.000 | 9.500 | 9.508 | 0.625 |
| 417511 | 410 | S | 4.125 | 5.126 | 5.132 | 0.500 | 417602 | 410 | S | 8.000 | 10.000 | 10.008 | 0.625 |
| 417512 | 410 | S | 4.125 | 5.501 | 5.506 | 0.500 | 417603 | 410 | S | 8.500 | 10.000 | 10.008 | 0.625 |
| 417513 | 410 | S | 4.187 | 5.501 | 5.506 | 0.500 | 417604 | 410 | S | 8.500 | 10.500 | 10.508 | 0.625 |
| 417514 | 410 | S | 4.187 | 5.751 | 5.756 | 0.500 | 417605 | 410 | S | 10.000 | 11.000 | 11.008 | 0.625 |
| 417515 | 410 | S | 4.187 | 6.000 | 6.007 | 0.500 | 417606 | 410 | S | 9.500 | 11.500 | 11.508 | 0.625 |
| 417516 | 410 | S | 4.187 | 6.250 | 6.256 | 0.500 | 417608 | 410 | S | 12.000 | 14.000 | 14.010 | 0.750 |
| 417518 | 410 | S | 4.250 | 6.126 | 6.133 | 0.500 | 417621 | 410 | S | 3.125 | 4.125 | 4.130 | 0.375 |
| 417520 | 410 | S | 4.312 | 5.751 | 5.756 | 0.500 | 417698 | 410 | S | 3.625 | 4.376 | 4.381 | 0.375 |
| 417522 | 410 | S | 4.375 | 6.125 | 6.131 | 0.500 | 417780 | 410 | S | 5.937 | 7.502 | 7.508 | 0.562 |
| 417525 | 410 | S | 4.437 | 5.751 | 5.756 | 0.500 | 417817 | 410 | S | 7.937 | 8.750 | 8.757 | 0.565 |
| 417526 | 410 | S | 4.437 | 5.999 | 6.007 | 0.500 | 417939 | 410 | S | 9.910 | 10.995 | 11.005 | 0.625 |
| 417530 | 410 | S | 4.500 | 5.375 | 5.383 | 0.438 | 417940 | 410 | S | 9.000 | 10.088 | 10.095 | 0.625 |
| 417531 | 410 | S | 4.500 | 5.876 | 5.881 | 0.500 | 417967 | 410 | S | 3.937 | 4.876 | 4.881 | 0.500 |
| 417532 | 410 | S | 4.500 | 6.374 | 6.382 | 0.500 | 417986N | 410 | N | 2.750 | 5.500 | 5.506 | 0.500 |
| 417533 | 410 | S | 4.562 | 5.751 | 5.756 | 0.500 | 417987N | 410 | N | 3.250 | 5.500 | 5.506 | 0.500 |
| 417534 | 410 | S | 4.562 | 5.999 | 6.007 | 0.500 | 418027 | 410 | S | 2.625 | 4.437 | 4.441 | 0.437 |
| 417535 | 410 | S | 4.687 | 5.999 | 6.007 | 0.500 | 418028 | 410 | S | 3.250 | 4.500 | 4.506 | 0.375 |
| 417536 | 410 | S | 4.687 | 6.250 | 6.256 | 0.500 | 418029 | 410 | S | 3.437 | 4.249 | 4.254 | 0.375 |
| 417537 | 410 | S | 4.687 | 6.374 | 6.382 | 0.500 | ◆425507XX | 320 | S | 1.654 | 2.165 | 2.173 | 0.276 |
| 417538 | 410 | S | 4.750 | 5.876 | 5.881 | 0.500 | | | | 42 | 55 | 55.20 | 7 |
| 417539 | 410 | S | 4.937 | 5.999 | 6.007 | 0.500 | ◆425508XX | 350 | S | 1.654 | 2.165 | 2.176 | 0.315 |
| 417540 | 410 | S | 4.937 | 6.374 | 6.382 | 0.500 | | | | 42 | 55 | 55.28 | 8 |
| 417541 | 410 | S | 5.000 | 6.499 | 6.507 | 0.500 | ◆425607XX | 320 | S | 1.654 | 2.205 | 2.21 | 0.276 |
| 417542 | 410 | S | 5.000 | 6.749 | 6.757 | 0.500 | | | | 42 | 56 | 56.13 | 7 |
| 417543 | 410 | S | 5.000 | 6.874 | 6.882 | 0.500 | ◆425807XX | 480 | S | 1.654 | 2.283 | 2.287 | 0.276 |
| 417544 | 410 | S | 5.000 | 7.000 | 7.007 | 0.500 | | | | 42 | 58 | 58.10 | 7 |
| 417545 | 410 | S | 5.000 | 7.500 | 7.507 | 0.500 | ◆426007XX | 320 | S | 1.654 | 2.362 | 2.371 | 0.276 |
| 417546 | 410 | S | 5.125 | 6.374 | 6.382 | 0.500 | | | | 42 | 60 | 60.22 | 7 |
| 417547 | 410 | S | 5.125 | 6.499 | 6.507 | 0.500 | ◆426208XX | 350 | S | 1.654 | 2.441 | 2.452 | 0.315 |
| 417548 | 410 | S | 5.187 | 6.499 | 6.507 | 0.500 | | | | 42 | 62 | 62.27 | 8 |
| 417549 | 410 | S | 5.250 | 6.750 | 6.757 | 0.500 | ◆426510XX | 470 | N | 1.654 | 2.559 | 2.565 | 0.394 |
| 417550 | 410 | S | 5.312 | 6.500 | 6.507 | 0.500 | | | | 42 | 65 | 65.15 | 10 |
| 417551 | 410 | S | 5.375 | 6.374 | 6.380 | 0.500 | ◆426808XX | 320 | S | 1.654 | 2.677 | 2.685 | 0.315 |
| 417554 | 410 | S | 5.375 | 6.749 | 6.757 | 0.500 | | | | 42 | 68 | 68.20 | 8 |
| ◆417555 | 410 | S | 5.625 | 6.626 | 6.634 | 0.516 | ◆426810XX | 320 | S | 1.654 | 2.677 | 2.685 | 0.394 |
| | | | 143 | 168.30 | 168.50 | 13.10 | | | | 42 | 68 | 62.20 | 10 |
| 417556 | 410 | S | 5.625 | 6.874 | 6.882 | 0.500 | ◆427010XX | 320 | S | 1.654 | 2.756 | 2.764 | 0.394 |
| 417562 | 410 | S | 6.250 | 7.750 | 7.758 | 0.500 | | | | 42 | 70 | 70.20 | 10 |
| 417563 | 410 | S | 6.375 | 7.875 | 7.883 | 0.500 | ◆427208XX | 320 | S | 1.654 | 2.835 | 2.843 | 0.315 |
| 417564 | 410 | S | 7.000 | 8.750 | 8.759 | 0.625 | | | | 42 | 72 | 72.20 | 8 |
| 417567 | 410 | S | 8.625 | 10.625 | 10.635 | 0.750 | ◆427210XX | 320 | S | 1.654 | 2.835 | 2.845 | 0.394 |
| 417570 | 410 | S | 10.250 | 12.250 | 12.260 | 0.750 | | | | 42 | 72 | 72.27 | 10 |
| | | | | | | | ◆428008XX | 320 | S | 1.654 | 3.15 | 3.157 | 0.315 |
| | | | | | | | | | | 42 | 80 | 80.20 | 8 |
| | | | | | | | ◆428010XX | 350 | S | 1.654 | 3.15 | 3.157 | 0.394 |
| | | | | | | | | | | 42 | 80 | 80.20 | 10 |

| Part Number | Style | Matl | Shaft | Bore | O.D. | Width | Part Number | Style | Matl | Shaft | Bore | O.D. | Width |
|-------------|-------|------|-------------|-------------|----------------|-------------|-------------|-------|------|-------|-------|-------|-------|
| ◆435508XX | 320 | S | 1.693 43 | 2.165 55 | 2.173 55.20 | 0.315 8 | 450065 | 450 | S | 1.593 | 2.437 | 2.441 | 0.468 |
| ◆436508XX | 320 | S | 1.693 43 | 2.559 65 | 2.567 65.20 | 0.315 8 | 450066 | 450 | S | 1.625 | 2.438 | 2.444 | 0.375 |
| 440131 | 440 | S | 0.875 | 1.375 | 1.379 | 0.187 | 450067 | 450 | S | 1.500 | 2.502 | 2.508 | 0.500 |
| 440265 | 440 | S | 1.687 | 2.623 | 2.629 | 0.375 | 450068 | 450 | S | 1.718 | 2.623 | 2.627 | 0.500 |
| 440511 | 440 | S | 2.625 | 3.371 | 3.376 | 0.250 | 450069 | 450 | S | 1.625 | 2.623 | 2.629 | 0.313 |
| 440972 | 440 | S | 2.125 | 3.371 | 3.376 | 0.312 | 450070 | 450 | S | 1.750 | 2.623 | 2.629 | 0.313 |
| 441130 | 440 | S | 1.000 | 1.375 | 1.381 | 0.189 | 450073 | 450 | S | 1.656 | 2.686 | 2.690 | 0.500 |
| 441319 | 440 | S | 1.218 | 1.979 | 1.983 | 0.250 | 450076 | 450 | S | 1.750 | 2.686 | 2.692 | 0.438 |
| 441853 | 440 | S | 1.875 | 2.561 | 2.567 | 0.313 | 450078 | 450 | S | 1.625 | 2.875 | 2.881 | 0.313 |
| 442109 | 440 | S | 2.250 | 3.371 | 3.378 | 0.374 | 450082 | 450 | S | 1.875 | 2.875 | 2.881 | 0.311 |
| 442251 | 440 | S | 1.718 | 2.561 | 2.567 | 0.500 | 450083 | 450 | S | 2.000 | 2.875 | 2.881 | 0.469 |
| 442380 | 440 | S | 2.500 | 3.252 | 3.259 | 0.250 | 450084 | 450 | S | 1.875 | 2.996 | 3.001 | 0.500 |
| 442507 | 440 | S | 2.374 | 3.350 | 3.357 | 0.251 | 450085 | 450 | S | 2.000 | 2.995 | 3.002 | 0.500 |
| 442874 | 440 | S | 2.314 | 3.000 | 3.006 | 0.382 | 450087 | 450 | S | 1.750 | 3.061 | 3.067 | 0.500 |
| 443018 | 440 | S | 1.500 | 1.983 | 1.989 | 0.189 | 450089 | 450 | S | 1.781 | 3.189 | 3.194 | 0.437 |
| 444042 | 440 | S | 2.500 | 3.500 | 3.507 | 0.250 | 450090 | 450 | S | 1.812 | 3.189 | 3.194 | 0.437 |
| 444116 | 440 | S | 1.812 | 2.327 | 2.332 | 0.437 | 450094N | 450 | N | 1.937 | 3.189 | 3.194 | 0.437 |
| 444258 | 440 | S | 0.375 | 0.836 | 0.841 | 0.187 | 450094 | 450 | S | 1.937 | 3.189 | 3.194 | 0.437 |
| ◆446007XX | 320 | S | 1.732 44 | 2.362 60 | 2.37 60.20 | 0.276 7 | 450095 | 450 | S | 2.000 | 3.189 | 3.194 | 0.437 |
| ◆446010XX | 350 | S | 1.732 44 | 2.362 60 | 2.37 60.20 | 0.394 10 | 450096 | 450 | S | 2.062 | 3.189 | 3.194 | 0.437 |
| ◆446208XX↔ | 320 | S | 1.732 44 | 2.441 62 | 2.451 62.26 | 0.315 8 | 450099 | 450 | S | 2.250 | 3.350 | 3.357 | 0.469 |
| ◆446510XX | 350 | S | 1.732 44 | 2.559 65 | 2.57 65.28 | 0.394 10 | 450101 | 450 | S | 2.375 | 3.350 | 3.357 | 0.469 |
| 446927 | 440 | S | 3.500 | 4.125 | 4.130 | 0.250 | 450103 | 450 | S | 2.375 | 3.483 | 3.490 | 0.500 |
| ◆447008XX | 320 | S | 1.732 44 | 2.756 70 | 2.764 70.20 | 0.315 8 | 450104 | 450 | S | 2.437 | 3.481 | 3.486 | 0.500 |
| 447060 | 440 | S | 5.250 | 6.250 | 6.256 | 0.250 | 450111 | 450 | S | 1.968 | 3.350 | 3.355 | 0.468 |
| ◆447210XX | 350 | S | 1.732 44 | 2.835 72 | 2.839 72.11 | 0.394 10 | 450115 | 450 | S | 2.125 | 2.996 | 3.002 | 0.438 |
| 447793 | 440 | S | 6.000 | 6.751 | 6.757 | 0.375 | 450116 | 450 | S | 1.812 | 2.875 | 2.879 | 0.468 |
| 450005 | 450 | S | 0.500 | 1.124 | 1.130 | 0.250 | 450117 | 450 | S | 1.875 | 2.750 | 2.756 | 0.311 |
| 450009 | 450 | S | 0.625 | 1.124 | 1.130 | 0.250 | 450118 | 450 | S | 1.812 | 2.750 | 2.756 | 0.313 |
| 450025 | 450 | S | 0.687 | 1.374 | 1.380 | 0.311 | 450119 | 450 | S | 0.500 | 1.000 | 1.009 | 0.252 |
| 450027 | 450 | S | 0.750 | 1.375 | 1.381 | 0.252 | 450120 | 450 | S | 1.000 | 1.499 | 1.503 | 0.390 |
| 450030 | 450 | S | 0.813 | 1.499 | 1.505 | 0.250 | 450121 | 450 | S | 2.125 | 3.189 | 3.194 | 0.437 |
| 450032 | 450 | S | 0.875 | 1.500 | 1.506 | 0.313 | 450132 | 450 | S | 2.250 | 3.371 | 3.378 | 0.438 |
| 450034 | 450 | N | 0.781 | 1.828 | 1.834 | 0.250 | 450133 | 450 | S | 2.312 | 3.371 | 3.376 | 0.468 |
| 450038 | 450 | S | 0.906 | 1.828 | 1.832 | 0.437 | 450135 | 450 | S | 1.375 | 2.125 | 2.131 | 0.438 |
| 450039 | 450 | S | 0.938 | 1.828 | 1.834 | 0.438 | 450141 | 450 | S | 0.750 | 1.250 | 1.256 | 0.374 |
| 450040 | 450 | S | 0.987 | 1.282 | 1.288 | 0.438 | 450143 | 450 | S | 1.562 | 2.561 | 2.565 | 0.500 |
| 450043 | 450 | S | 1.063 | 1.828 | 1.834 | 0.250 | 450147 | 450 | S | 1.312 | 2.996 | 3.001 | 0.500 |
| 450044 | 450 | S | 1.093 | 1.828 | 1.832 | 0.437 | 450154 | 450 | S | 1.687 | 2.502 | 2.508 | 0.311 |
| 450045 | 450 | S | 1.125 | 1.828 | 1.834 | 0.311 | 450159 | 450 | S | 1.093 | 2.000 | 2.004 | 0.437 |
| 450048 | 450 | S | 1.218 | 1.983 | 1.987 | 0.437 | 450161 | 450 | S | 1.156 | 2.000 | 2.006 | 0.311 |
| 450049 | 450 | S | 1.250 | 1.983 | 1.989 | 0.252 | 450162 | 450 | S | 1.187 | 2.000 | 2.006 | 0.252 |
| 450054 | 450 | S | 1.343 | 2.374 | 2.378 | 0.500 | 450163 | 450 | S | 1.250 | 2.000 | 2.006 | 0.252 |
| 450059 | 450 | S | 1.500 | 2.374 | 2.380 | 0.313 | 450173 | 450 | S | 1.218 | 2.000 | 2.004 | 0.437 |
| | | | | | | | 450177 | 450 | S | 1.250 | 2.106 | 2.110 | 0.468 |
| | | | | | | | 450183 | 450 | S | 1.750 | 2.750 | 2.756 | 0.500 |
| | | | | | | | 450185 | 450 | S | 1.563 | 2.502 | 2.508 | 0.311 |
| | | | | | | | 450188 | 450 | S | 1.063 | 1.561 | 1.567 | 0.250 |
| | | | | | | | 450189 | 450 | S | 1.125 | 1.752 | 1.758 | 0.313 |
| | | | | | | | 450194 | 450 | S | 1.625 | 2.502 | 2.508 | 0.311 |

| Part Number | Style | Matl | Shaft | Bore | O.D. | Width | Part Number | Style | Matl | Shaft | Bore | O.D. | Width |
|-------------|-------|------|-------|-------|-------|-------|-------------|-------|------|-------|-------|-------|-------|
| 450204 | 450 | S | 0.813 | 1.375 | 1.381 | 0.252 | 450441 | 450 | S | 2.248 | 2.996 | 3.002 | 0.500 |
| 450219 | 450 | S | 1.000 | 1.624 | 1.630 | 0.375 | 450446 | 450 | S | 2.000 | 2.713 | 2.717 | 0.468 |
| 450236 | 450 | S | 1.125 | 1.874 | 1.880 | 0.250 | 450452 | 450 | S | 1.375 | 2.835 | 2.841 | 0.469 |
| 450241 | 450 | S | 1.125 | 2.063 | 2.069 | 0.313 | 450456 | 450 | S | 1.375 | 2.716 | 2.720 | 0.468 |
| 450244 | 450 | S | 1.250 | 2.062 | 2.066 | 0.437 | 450457 | 450 | S | 0.984 | 1.828 | 1.832 | 0.437 |
| 450260 | 450 | S | 1.656 | 2.502 | 2.506 | 0.500 | 450461 | 450 | S | 1.500 | 2.750 | 2.754 | 0.500 |
| 450269 | 450 | S | 1.781 | 2.686 | 2.690 | 0.500 | 450463 | 450 | S | 1.375 | 2.750 | 2.754 | 0.500 |
| 450273 | 450 | S | 1.562 | 2.758 | 2.762 | 0.500 | 450467 | 450 | S | 1.625 | 3.251 | 3.256 | 0.500 |
| 450274 | 450 | S | 1.593 | 2.758 | 2.762 | 0.500 | 450472 | 450 | S | 1.968 | 2.686 | 2.690 | 0.500 |
| 450275 | 450 | S | 1.625 | 2.758 | 2.762 | 0.500 | ◆450474 | 450 | S | 1.969 | 2.874 | 2.880 | 0.472 |
| 450279 | 450 | S | 1.937 | 2.758 | 2.762 | 0.500 | | | | 50 | 73 | 73.15 | 12 |
| 450280 | 450 | S | 1.781 | 2.758 | 2.762 | 0.500 | 450482 | 450 | S | 1.156 | 1.828 | 1.832 | 0.437 |
| 450285 | 450 | S | 1.781 | 2.750 | 2.754 | 0.500 | 450489 | 450 | S | 2.187 | 2.875 | 2.881 | 0.374 |
| 450291 | 450 | S | 1.750 | 2.875 | 2.881 | 0.252 | 450492 | 450 | S | 1.375 | 3.350 | 3.357 | 0.469 |
| 450291N | 450 | N | 1.750 | 2.875 | 2.881 | 0.252 | 450494 | 450 | S | 1.750 | 2.502 | 2.508 | 0.311 |
| 450298 | 450 | S | 1.875 | 3.000 | 3.006 | 0.313 | 450496 | 450 | S | 2.500 | 3.350 | 3.357 | 0.437 |
| 450301 | 450 | S | 2.000 | 3.000 | 3.006 | 0.500 | 450502 | 450 | S | 1.156 | 1.686 | 1.690 | 0.375 |
| 450303 | 450 | S | 2.125 | 3.000 | 3.006 | 0.500 | 450516 | 450 | S | 1.375 | 3.125 | 3.130 | 0.500 |
| 450307 | 450 | S | 2.062 | 3.061 | 3.066 | 0.500 | 450519 | 450 | S | 2.500 | 3.251 | 3.258 | 0.437 |
| 450308 | 450 | S | 2.125 | 3.061 | 3.067 | 0.500 | 450523 | 450 | S | 1.500 | 2.875 | 2.879 | 0.468 |
| 450311 | 450 | S | 2.062 | 3.125 | 3.130 | 0.500 | 450533 | 450 | S | 1.687 | 3.189 | 3.194 | 0.437 |
| 450312 | 450 | S | 2.125 | 3.125 | 3.131 | 0.374 | 450535 | 450 | S | 0.625 | 1.250 | 1.256 | 0.311 |
| 450313 | 450 | S | 2.062 | 3.251 | 3.256 | 0.500 | 450536 | 450 | S | 0.562 | 1.246 | 1.250 | 0.375 |
| 450316 | 450 | S | 2.250 | 3.251 | 3.258 | 0.500 | 450539 | 450 | S | 1.625 | 2.999 | 3.005 | 0.313 |
| 450317 | 450 | S | 2.313 | 3.251 | 3.258 | 0.500 | 450540 | 450 | S | 1.500 | 3.189 | 3.194 | 0.437 |
| 450326 | 450 | S | 1.500 | 2.996 | 3.001 | 0.500 | 450545 | 450 | S | 0.968 | 1.575 | 1.579 | 0.375 |
| 450329 | 450 | S | 2.625 | 3.350 | 3.356 | 0.468 | 450548 | 450 | S | 1.500 | 2.250 | 2.256 | 0.375 |
| 450332 | 450 | S | 1.125 | 2.437 | 2.441 | 0.468 | 450553 | 450 | S | 1.000 | 1.500 | 1.506 | 0.311 |
| 450335 | 450 | S | 1.625 | 3.062 | 3.066 | 0.500 | 450588 | 450 | S | 0.812 | 1.575 | 1.579 | 0.375 |
| 450339 | 450 | S | 0.968 | 2.062 | 2.066 | 0.437 | 450593 | 450 | S | 1.000 | 1.828 | 1.834 | 0.295 |
| 450340 | 450 | S | 0.750 | 1.561 | 1.565 | 0.375 | 450604 | 450 | S | 1.125 | 2.250 | 2.254 | 0.500 |
| 450341 | 450 | S | 1.250 | 2.713 | 2.717 | 0.468 | 450621 | 450 | S | 2.156 | 3.189 | 3.196 | 0.437 |
| 450342 | 450 | S | 1.062 | 1.983 | 1.987 | 0.437 | 450626 | 450 | S | 2.625 | 3.371 | 3.378 | 0.438 |
| 450343 | 450 | S | 2.062 | 3.371 | 3.376 | 0.468 | 450639 | 450 | S | 2.125 | 2.835 | 2.839 | 0.468 |
| 450350 | 450 | S | 2.375 | 3.371 | 3.378 | 0.469 | 450645 | 450 | S | 0.875 | 2.000 | 2.004 | 0.437 |
| 450351 | 450 | S | 1.750 | 2.437 | 2.443 | 0.313 | 450680 | 450 | S | 0.875 | 1.500 | 1.506 | 0.313 |
| 450352 | 450 | S | 1.750 | 2.502 | 2.513 | 0.500 | 450686 | 450 | S | 2.375 | 3.483 | 3.490 | 0.500 |
| 450358 | 450 | S | 1.625 | 2.374 | 2.380 | 0.311 | 450693 | 450 | S | 0.984 | 2.062 | 2.066 | 0.437 |
| 450361 | 450 | S | 1.750 | 2.561 | 2.567 | 0.500 | 450737 | 450 | S | 2.250 | 3.188 | 3.195 | 0.438 |
| 450362 | 450 | S | 1.156 | 2.125 | 2.129 | 0.437 | 450765 | 450 | S | 1.687 | 2.716 | 2.720 | 0.468 |
| 450365 | 450 | S | 2.125 | 2.875 | 2.881 | 0.375 | 450776 | 450 | S | 1.375 | 2.686 | 2.690 | 0.500 |
| 450365N | 450 | N | 2.125 | 2.875 | 2.881 | 0.375 | 450803 | 450 | S | 1.562 | 2.716 | 2.720 | 0.468 |
| 450375 | 450 | S | 1.765 | 2.412 | 2.416 | 0.468 | 450819 | 450 | S | 1.625 | 2.835 | 2.839 | 0.468 |
| 450389 | 450 | S | 2.000 | 2.750 | 2.756 | 0.375 | 450867 | 450 | S | 2.125 | 2.875 | 2.881 | 0.375 |
| 450400 | 450 | S | 1.750 | 2.250 | 2.261 | 0.311 | 450869 | 450 | S | 2.156 | 3.251 | 3.256 | 0.500 |
| 450403 | 450 | S | 1.375 | 2.062 | 2.073 | 0.375 | 450911 | 450 | S | 1.968 | 2.742 | 2.746 | 0.500 |
| 450412 | 450 | S | 2.625 | 3.481 | 3.486 | 0.500 | 450911N | 450 | N | 1.968 | 2.742 | 2.746 | 0.500 |
| 450415 | 450 | S | 1.625 | 2.996 | 3.001 | 0.500 | 450965 | 450 | S | 1.937 | 3.350 | 3.355 | 0.468 |
| 450430 | 450 | S | 1.125 | 2.875 | 2.879 | 0.468 | 450984 | 450 | S | 1.500 | 2.716 | 2.720 | 0.468 |
| 450431 | 450 | S | 0.813 | 1.250 | 1.256 | 0.189 | 451078 | 450 | S | 1.875 | 3.251 | 3.258 | 0.500 |

| Part Number | Style | Matl | Shaft | Bore | O.D. | Width | Part Number | Style | Matl | Shaft | Bore | O.D. | Width |
|-------------|-------|------|-------|-------|-------|-------|-------------|-------|------|-------|--------|--------|-------|
| 451082 | 450 | S | 0.968 | 1.874 | 1.878 | 0.437 | 455037 | 450 | S | 4.062 | 5.501 | 5.506 | 0.562 |
| 451147H | 450 | H | 1.750 | 2.502 | 2.506 | 0.406 | 455056 | 450 | S | 4.125 | 6.250 | 6.256 | 0.562 |
| 451469 | 450 | S | 1.593 | 2.623 | 2.627 | 0.340 | 455060 | 450 | S | 4.375 | 6.250 | 6.256 | 0.562 |
| 451583 | 450 | S | 0.968 | 1.499 | 1.503 | 0.312 | 455068 | 450 | S | 4.874 | 6.250 | 6.258 | 0.500 |
| 451709 | 450 | S | 1.250 | 1.752 | 1.758 | 0.252 | 455070 | 450 | S | 5.000 | 6.250 | 6.258 | 0.500 |
| 451817 | 450 | S | 1.812 | 2.437 | 2.441 | 0.468 | 455073 | 450 | S | 5.500 | 6.749 | 6.757 | 0.625 |
| 451845 | 450 | S | 1.250 | 2.561 | 2.565 | 0.500 | 455075 | 450 | S | 5.875 | 7.125 | 7.135 | 0.625 |
| 451857 | 450 | S | 1.500 | 2.623 | 2.627 | 0.500 | 455079 | 450 | S | 2.500 | 3.750 | 3.757 | 0.500 |
| 452086 | 450 | S | 1.670 | 2.686 | 2.690 | 0.500 | 455080 | 450 | S | 2.125 | 3.623 | 3.628 | 0.468 |
| 452222 | 450 | S | 1.531 | 2.374 | 2.378 | 0.375 | 455086 | 450 | S | 3.000 | 4.249 | 4.256 | 0.468 |
| 452261H | 450 | H | 2.000 | 2.500 | 2.504 | 0.437 | 455088 | 450 | S | 3.000 | 4.500 | 4.507 | 0.469 |
| 452554 | 450 | S | 1.500 | 1.983 | 1.989 | 0.252 | 455088V | 450 | V | 3.000 | 4.500 | 4.507 | 0.469 |
| 452554N | 450 | N | 1.500 | 1.983 | 1.989 | 0.252 | 455091 | 450 | S | 4.874 | 6.001 | 6.009 | 0.500 |
| 453059 | 450 | S | 0.437 | 1.124 | 1.128 | 0.406 | 455093 | 450 | S | 2.250 | 3.500 | 3.505 | 0.500 |
| 453063 | 450 | S | 1.187 | 2.047 | 2.051 | 0.437 | 455096 | 450 | S | 2.437 | 3.500 | 3.505 | 0.500 |
| 453065 | 450 | S | 1.500 | 2.250 | 2.256 | 0.313 | 455104 | 450 | S | 5.250 | 6.500 | 6.508 | 0.625 |
| 453066 | 450 | S | 2.125 | 2.878 | 2.882 | 0.375 | 455117 | 450 | S | 7.375 | 8.875 | 8.882 | 0.750 |
| 453165 | 450 | S | 1.000 | 2.062 | 2.066 | 0.375 | 455121V | 450 | V | 7.875 | 9.375 | 9.383 | 0.750 |
| 453182 | 450 | S | 3.000 | 3.999 | 4.004 | 0.437 | 455123 | 450 | S | 8.125 | 10.125 | 10.130 | 0.750 |
| 453279 | 450 | S | 1.250 | 3.155 | 3.160 | 0.500 | 455129 | 450 | S | 8.875 | 10.875 | 10.885 | 0.750 |
| 453341 | 450 | S | 1.625 | 2.374 | 2.380 | 0.311 | 455134 | 450 | S | 4.125 | 4.998 | 5.006 | 0.437 |
| 454136N | 450 | N | 2.250 | 3.350 | 3.355 | 0.312 | 455136 | 450 | S | 2.250 | 3.481 | 3.486 | 0.500 |
| 455001 | 450 | S | 2.500 | 3.542 | 3.549 | 0.500 | 455137 | 450 | S | 3.250 | 4.500 | 4.507 | 0.438 |
| 455001S | 450 | S | 2.500 | 3.542 | 3.549 | 0.500 | 455144 | 450 | S | 2.875 | 4.499 | 4.504 | 0.468 |
| 455003 | 450 | S | 2.625 | 3.623 | 3.630 | 0.438 | 455146 | 450 | S | 3.500 | 4.499 | 4.504 | 0.468 |
| 455004 | 450 | S | 2.750 | 3.751 | 3.758 | 0.375 | 455147 | 450 | S | 2.500 | 3.500 | 3.507 | 0.500 |
| 455005 | 450 | S | 2.813 | 3.751 | 3.758 | 0.438 | 455151 | 450 | S | 2.687 | 3.751 | 3.756 | 0.500 |
| 455006 | 450 | S | 2.875 | 3.750 | 3.757 | 0.500 | 455154 | 450 | S | 3.000 | 4.125 | 4.132 | 0.438 |
| 455006N | 450 | N | 2.875 | 3.750 | 3.757 | 0.500 | 455165 | 450 | S | 3.375 | 4.499 | 4.504 | 0.468 |
| 455009 | 450 | S | 2.750 | 3.876 | 3.883 | 0.437 | 455173 | 450 | S | 3.500 | 4.750 | 4.758 | 0.500 |
| 455011 | 450 | S | 2.874 | 4.003 | 4.010 | 0.437 | 455186 | 450 | S | 3.938 | 4.876 | 4.884 | 0.438 |
| 455012 | 450 | S | 2.937 | 4.003 | 4.010 | 0.438 | 455188 | 450 | S | 4.000 | 5.125 | 5.133 | 0.500 |
| 455013 | 450 | S | 3.000 | 4.003 | 4.010 | 0.437 | 455189 | 450 | S | 3.812 | 5.251 | 5.256 | 0.468 |
| 455014 | 450 | S | 3.000 | 4.249 | 4.256 | 0.468 | 455191 | 450 | S | 3.937 | 5.251 | 5.256 | 0.468 |
| 455015 | 450 | S | 3.062 | 4.249 | 4.254 | 0.625 | 455192 | 450 | S | 4.000 | 5.251 | 5.256 | 0.468 |
| 455018 | 450 | S | 3.250 | 4.249 | 4.256 | 0.500 | 455194 | 450 | S | 4.187 | 5.251 | 5.256 | 0.468 |
| 455018N | 450 | N | 3.250 | 4.249 | 4.256 | 0.500 | 455195 | 450 | S | 4.250 | 5.251 | 5.256 | 0.468 |
| 455019 | 450 | S | 3.000 | 4.999 | 5.007 | 0.438 | 455197 | 450 | S | 4.312 | 5.501 | 5.506 | 0.562 |
| 455020 | 450 | S | 3.062 | 4.999 | 5.004 | 0.468 | 455197N | 450 | N | 4.312 | 5.501 | 5.506 | 0.562 |
| 455022 | 450 | S | 3.187 | 4.999 | 5.004 | 0.468 | 455198 | 450 | S | 4.375 | 5.500 | 5.508 | 0.563 |
| 455024 | 450 | S | 3.312 | 4.999 | 5.004 | 0.468 | 455200 | 450 | S | 4.500 | 5.500 | 5.508 | 0.500 |
| 455026 | 450 | S | 3.437 | 4.999 | 5.004 | 0.468 | 455200N | 450 | N | 4.500 | 5.500 | 5.508 | 0.500 |
| 455027 | 450 | S | 3.500 | 4.999 | 5.004 | 0.468 | 455203 | 450 | S | 4.125 | 6.000 | 6.007 | 0.625 |
| 455027N | 450 | N | 3.500 | 4.999 | 5.004 | 0.468 | 455251H | 450 | H | 4.812 | 5.751 | 5.756 | 0.562 |
| 455031 | 450 | S | 3.750 | 4.999 | 5.004 | 0.468 | 455253 | 450 | S | 2.000 | 3.543 | 3.548 | 0.500 |
| 455032 | 450 | S | 3.812 | 4.999 | 5.004 | 0.468 | 455260 | 450 | S | 2.062 | 3.623 | 3.628 | 0.468 |
| 455033 | 450 | S | 3.875 | 4.999 | 5.004 | 0.468 | 455272 | 450 | S | 2.750 | 4.003 | 4.010 | 0.438 |
| 455034 | 450 | S | 3.937 | 4.999 | 5.004 | 0.468 | 455280 | 450 | S | 2.562 | 3.876 | 3.881 | 0.468 |
| 455035 | 450 | S | 4.000 | 4.998 | 5.006 | 0.468 | 455290 | 450 | S | 5.062 | 6.374 | 6.382 | 0.625 |
| 455035N | 450 | N | 4.000 | 4.998 | 5.006 | 0.468 | 455294 | 450 | S | 6.500 | 7.500 | 7.508 | 0.562 |

| Part Number | Style | Matl | Shaft | Bore | O.D. | Width | Part Number | Style | Matl | Shaft | Bore | O.D. | Width |
|-------------|-------|------|-------|--------|--------|-------|-------------|-------|------|--------|--------|--------|-------|
| 455297 | 450 | S | 5.875 | 7.500 | 7.508 | 0.562 | 455828V | 450 | V | 8.500 | 9.500 | 9.509 | 0.625 |
| 455301 | 450 | S | 9.000 | 10.000 | 10.010 | 0.750 | 455858 | 450 | S | 3.438 | 4.756 | 4.764 | 0.563 |
| 455301S | 450 | S | 9.000 | 10.000 | 10.010 | 0.750 | 455860 | 450 | S | 2.375 | 3.876 | 3.883 | 0.468 |
| 455308 | 450 | S | 1.500 | 3.543 | 3.550 | 0.375 | 455867V | 450 | V | 7.500 | 8.500 | 8.509 | 0.625 |
| 455310 | 450 | S | 2.875 | 4.335 | 4.340 | 0.437 | 455948 | 450 | S | 6.875 | 7.875 | 7.883 | 0.625 |
| 455311 | 450 | S | 2.562 | 3.543 | 3.548 | 0.500 | 455956H | 450 | H | 5.187 | 6.500 | 6.507 | 0.625 |
| 455321 | 450 | S | 2.312 | 3.751 | 3.756 | 0.500 | 455958 | 450 | S | 3.875 | 5.375 | 5.383 | 0.438 |
| 455322 | 450 | S | 2.750 | 3.543 | 3.550 | 0.438 | 455958S | 450 | S | 3.875 | 5.375 | 5.383 | 0.438 |
| 455322N | 450 | N | 2.750 | 3.543 | 3.550 | 0.438 | 455966 | 450 | S | 8.750 | 10.500 | 10.510 | 0.750 |
| 455322V | 450 | V | 2.750 | 3.543 | 3.550 | 0.438 | 455995N | 450 | N | 3.000 | 4.003 | 4.010 | 0.469 |
| 455328 | 450 | S | 3.250 | 5.251 | 5.256 | 0.468 | ◆456007XX | 350 | S | 1.772 | 2.362 | 2.37 | 0.276 |
| 455330 | 450 | S | 6.125 | 7.125 | 7.135 | 0.626 | | | | 45 | 60 | 60.20 | 7 |
| 455336 | 450 | S | 3.187 | 4.501 | 4.508 | 0.500 | ◆456008XX | 350 | S | 1.772 | 2.362 | 2.37 | 0.315 |
| 455355 | 450 | S | 2.875 | 3.876 | 3.883 | 0.438 | | | | 45 | 60 | 60.20 | 8 |
| 455356 | 450 | S | 2.937 | 4.499 | 4.504 | 0.468 | ◆456010XX | 350 | S | 1.772 | 2.362 | 2.372 | 0.394 |
| 455364 | 450 | S | 2.750 | 3.500 | 3.507 | 0.374 | | | | 45 | 60 | 60.25 | 10 |
| 455368 | 450 | S | 2.625 | 3.500 | 3.507 | 0.374 | 456052 | 450 | S | 5.875 | 7.999 | 8.007 | 0.750 |
| 455369 | 450 | S | 2.500 | 3.623 | 3.630 | 0.374 | 456055 | 450 | V | 6.000 | 7.001 | 7.008 | 0.625 |
| 455378H | 450 | H | 4.687 | 5.751 | 5.756 | 0.562 | 456057 | 450 | S | 1.937 | 3.751 | 3.756 | 0.500 |
| 455379 | 450 | S | 3.750 | 4.750 | 4.758 | 0.500 | 456105 | 450 | S | 3.188 | 4.250 | 4.257 | 0.469 |
| 455379V | 450 | V | 3.750 | 4.750 | 4.758 | 0.500 | 456141 | 450 | S | 4.312 | 5.376 | 5.381 | 0.500 |
| 455396 | 450 | S | 3.500 | 5.751 | 5.756 | 0.562 | 456153 | 450 | S | 4.500 | 5.625 | 5.631 | 0.500 |
| 455406 | 450 | S | 7.750 | 9.250 | 9.260 | 0.625 | 456192 | 450 | S | 5.500 | 7.500 | 7.507 | 0.562 |
| 455434 | 450 | S | 2.687 | 3.500 | 3.507 | 0.374 | ◆456208XX | 350 | S | 1.772 | 2.441 | 2.453 | 0.315 |
| 455437N | 450 | N | 3.500 | 4.751 | 4.756 | 0.500 | | | | 45 | 62 | 62.30 | 8 |
| 455448 | 450 | S | 5.250 | 6.250 | 6.256 | 0.562 | 456305 | 450 | S | 3.250 | 4.751 | 4.756 | 0.484 |
| 455462 | 450 | S | 9.000 | 10.500 | 10.510 | 0.625 | 456462 | 450 | S | 9.000 | 10.375 | 10.384 | 0.625 |
| 455471 | 450 | S | 3.437 | 5.250 | 5.256 | 0.468 | 456464 | 450 | S | 9.910 | 10.997 | 11.005 | 0.625 |
| 455475 | 450 | S | 8.250 | 9.250 | 9.258 | 0.625 | 456472N | 450 | N | 2.375 | 3.623 | 3.628 | 0.500 |
| 455476 | 450 | S | 9.000 | 10.250 | 10.260 | 0.750 | ◆456508XX | 350 | S | 1.772 | 2.559 | 2.57 | 0.315 |
| 455479 | 450 | S | 3.000 | 3.876 | 3.883 | 0.437 | | | | 45 | 65 | 65.28 | 8 |
| 455479V | 450 | V | 3.000 | 3.876 | 3.883 | 0.437 | 456557 | 450 | V | 5.125 | 6.125 | 6.131 | 0.500 |
| 455480 | 450 | S | 6.250 | 7.500 | 7.508 | 0.562 | 456585 | 450 | S | 3.375 | 4.501 | 4.506 | 0.468 |
| 455480V | 450 | V | 6.250 | 7.500 | 7.508 | 0.562 | 456641 | 450 | H | 4.625 | 5.500 | 5.506 | 0.562 |
| 455499 | 450 | S | 3.438 | 4.249 | 4.256 | 0.375 | 456648 | 450 | S | 3.313 | 4.500 | 4.507 | 0.438 |
| 455500 | 450 | S | 3.298 | 4.125 | 4.130 | 0.562 | 456744N | 450 | N | 3.625 | 4.375 | 4.382 | 0.374 |
| 455509 | 450 | S | 3.000 | 3.936 | 3.941 | 0.500 | ◆456807XX | 320 | S | 1.772 | 2.677 | 2.688 | 0.276 |
| 455513 | 450 | S | 4.000 | 5.625 | 5.633 | 0.437 | | | | 45 | 68 | 68.28 | 7 |
| 455536 | 450 | S | 1.750 | 3.543 | 3.548 | 0.500 | 456837V | 450 | V | 2.843 | 4.003 | 4.008 | 0.500 |
| 455547 | 450 | S | 3.875 | 5.125 | 5.133 | 0.500 | 456865N | 450 | N | 5.000 | 6.250 | 6.256 | 0.500 |
| 455556 | 450 | S | 2.875 | 4.376 | 4.381 | 0.625 | 456890 | 450 | S | 4.812 | 6.250 | 6.256 | 0.500 |
| 455566 | 450 | S | 3.250 | 4.125 | 4.130 | 0.562 | 456967V | 450 | V | 4.000 | 5.000 | 5.005 | 0.312 |
| 455576 | 450 | S | 5.375 | 6.499 | 6.507 | 0.562 | ◆457010XX | 320 | S | 1.772 | 2.756 | 2.763 | 0.394 |
| 455583N | 450 | N | 6.187 | 7.500 | 7.507 | 0.562 | | | | 45 | 70 | 70.18 | 10 |
| 455584 | 450 | S | 6.875 | 8.375 | 8.382 | 0.625 | 457034 | 450 | V | 3.125 | 4.003 | 4.008 | 0.500 |
| 455655 | 450 | S | 2.500 | 4.003 | 4.008 | 0.468 | 457096V | 450 | V | 10.000 | 11.500 | 11.508 | 0.750 |
| 455685 | 450 | S | 4.625 | 5.875 | 5.881 | 0.625 | ◆457207XX | 350 | S | 1.772 | 2.835 | 2.846 | 0.276 |
| ◆455807XX | 350 | S | 1.772 | 2.283 | 2.294 | 0.276 | | | | 45 | 72 | 72.28 | 7 |
| | | | 45 | 58 | 58.28 | 7 | ◆457210XX | 350 | S | 1.772 | 2.835 | 2.843 | 0.394 |
| 455820 | 450 | S | 3.000 | 4.875 | 4.881 | 0.625 | | | | 45 | 72 | 72.20 | 10 |
| | | | | | | | ◆457212XX | 350 | S | 1.772 | 2.835 | 2.846 | 0.472 |
| | | | | | | | | | | 45 | 72 | 72.28 | 12 |
| | | | | | | | 457291 | 450 | S | 2.750 | 3.538 | 3.543 | 0.437 |

| Part Number | Style | Matl | Shaft | Bore | O.D. | Width | Part Number | Style | Matl | Shaft | Bore | O.D. | Width |
|-------------|-------|------|--------|--------|--------|-------|-------------|-------|------|-------|-------|-------|-------|
| 457294 | 450 | S | 4.000 | 4.750 | 4.756 | 0.562 | 470138V→ | 470 | V | 1.937 | 2.686 | 2.690 | 0.500 |
| ◆457295XX | 320 | S | 1.772 | 2.835 | 2.844 | 0.394 | 470140N | 470 | N | 1.250 | 1.751 | 1.757 | 0.251 |
| | | | 45 | 72 | 72.25 | 10 | 470141 | 470 | S | 0.750 | 1.250 | 1.256 | 0.252 |
| 457295 | 250 | S | 4.437 | 5.501 | 5.509 | 0.563 | 470162 | 470 | S | 1.187 | 2.000 | 2.006 | 0.252 |
| 457299 | 450 | S | 7.750 | 9.000 | 9.010 | 0.625 | 470163 | 470 | S | 1.250 | 2.000 | 2.006 | 0.437 |
| ◆457507XX | 320 | S | 1.772 | 2.953 | 2.961 | 0.276 | | | | | | | |
| | | | 45 | 75 | 75.20 | 7 | 470165 | 470 | S | 1.250 | 2.250 | 2.254 | 0.500 |
| 457585 | 450 | S | 4.562 | 6.250 | 6.256 | 0.500 | 470169 | 470 | S | 1.375 | 2.250 | 2.256 | 0.500 |
| 457734 | 450 | S | 4.720 | 6.312 | 6.318 | 0.473 | 470189 | 470 | S | 1.125 | 1.752 | 1.758 | 0.313 |
| 457874 | 450 | S | 6.125 | 7.627 | 7.633 | 0.625 | 470189H | 470 | H | 1.125 | 1.752 | 1.758 | 0.313 |
| 457997 | 450 | S | 10.500 | 12.000 | 12.008 | 0.625 | 470190 | 470 | S | 1.500 | 2.561 | 2.565 | 0.500 |
| 458009V | 450 | V | 8.250 | 9.500 | 9.509 | 0.625 | | | | | | | |
| ◆458010XX | 350 | S | 1.772 | 3.15 | 3.161 | 0.394 | 470195 | 470 | S | 0.312 | 0.999 | 1.003 | 0.375 |
| | | | 45 | 80 | 80.28 | 10 | 470199 | 470 | S | 0.437 | 0.999 | 1.003 | 0.375 |
| ◆458510XX | 350 | S | 1.772 | 3.346 | 3.354 | 0.394 | 470204 | 470 | S | 0.812 | 1.375 | 1.379 | 0.406 |
| | | | 45 | 85 | 85.20 | 10 | 470207 | 470 | S | 0.906 | 1.499 | 1.503 | 0.390 |
| ◆458513XX | 450 | S | 1.772 | 3.346 | 3.356 | 0.512 | 470211 | 470 | S | 0.750 | 1.624 | 1.630 | 0.252 |
| | | | 45 | 85 | 85.25 | 13 | | | | | | | |
| ◆466507XX | 320 | S | 1.811 | 2.559 | 2.567 | 0.276 | 470215 | 470 | S | 0.875 | 1.624 | 1.630 | 0.252 |
| | | | 46 | 65 | 65.20 | 7 | 470219 | 470 | S | 1.000 | 1.624 | 1.630 | 0.311 |
| ◆467008XX | 320 | S | 1.811 | 2.756 | 2.764 | 0.315 | 470230 | 470 | S | 1.000 | 1.752 | 1.758 | 0.252 |
| | | | 46 | 70 | 70.20 | 8 | 470236 | 470 | S | 1.125 | 1.874 | 1.880 | 0.311 |
| | | | | | | | 470241 | 470 | S | 1.125 | 2.062 | 2.066 | 0.437 |
| 470004 | 470 | S | 0.468 | 1.124 | 1.126 | 0.375 | 470244 | 470 | S | 1.250 | 2.062 | 2.066 | 0.437 |
| 470005 | 470 | S | 0.500 | 1.124 | 1.130 | 0.252 | 470245 | 470 | S | 1.250 | 2.125 | 2.131 | 0.250 |
| 470009 | 470 | S | 0.625 | 1.124 | 1.130 | 0.252 | 470286 | 470 | S | 1.625 | 2.750 | 2.754 | 0.500 |
| 470014 | 470 | S | 0.500 | 1.250 | 1.256 | 0.250 | 470308N | 470 | N | 2.125 | 3.061 | 3.067 | 0.500 |
| 470018 | 470 | S | 0.625 | 1.250 | 1.256 | 0.252 | 470328 | 470 | S | 1.187 | 1.686 | 1.690 | 0.375 |
| 470023 | 470 | S | 0.625 | 1.375 | 1.381 | 0.252 | 470331N | 470 | N | 1.843 | 2.750 | 2.756 | 0.500 |
| 470025 | 470 | S | 0.687 | 1.375 | 1.379 | 0.406 | 470334 | 470 | S | 1.750 | 2.686 | 2.690 | 0.375 |
| 470027 | 470 | S | 0.750 | 1.375 | 1.381 | 0.252 | 470336 | 470 | S | 1.187 | 2.250 | 2.254 | 0.500 |
| 470032 | 470 | S | 0.875 | 1.500 | 1.506 | 0.311 | 470340 | 470 | S | 0.750 | 1.561 | 1.565 | 0.375 |
| 470034 | 470 | S | 0.781 | 1.828 | 1.832 | 0.437 | 470342 | 470 | S | 1.062 | 1.983 | 1.987 | 0.437 |
| 470039 | 470 | S | 0.937 | 1.828 | 1.832 | 0.437 | 470347 | 470 | S | 1.187 | 2.437 | 2.441 | 0.468 |
| 470041 | 470 | S | 1.000 | 1.828 | 1.832 | 0.437 | 470351 | 470 | S | 1.750 | 2.437 | 2.443 | 0.313 |
| 470045 | 470 | S | 1.125 | 1.828 | 1.832 | 0.437 | 470354 | 470 | S | 2.187 | 3.189 | 3.194 | 0.437 |
| 470049 | 470 | S | 1.250 | 1.983 | 1.989 | 0.252 | 470358 | 470 | S | 1.625 | 2.374 | 2.380 | 0.311 |
| 470050 | 470 | S | 1.281 | 1.983 | 1.987 | 0.437 | 470358N | 470 | N | 1.625 | 2.374 | 2.380 | 0.311 |
| 470055N | 470 | N | 1.375 | 2.374 | 2.378 | 0.500 | 470361 | 470 | S | 1.750 | 2.561 | 2.567 | 0.500 |
| 470059 | 470 | S | 1.500 | 2.374 | 2.380 | 0.313 | 470362 | 470 | S | 1.156 | 2.125 | 2.129 | 0.437 |
| 470062 | 470 | S | 1.437 | 2.374 | 2.380 | 0.311 | 470380 | 470 | S | 1.500 | 2.374 | 2.380 | 0.311 |
| 470064 | 470 | S | 1.563 | 2.438 | 2.444 | 0.375 | 470380A | 470 | A | 1.500 | 2.374 | 2.380 | 0.311 |
| 470066 | 470 | S | 1.625 | 2.438 | 2.444 | 0.375 | 470380V | 470 | V | 1.500 | 2.374 | 2.380 | 0.311 |
| 470074 | 470 | S | 1.687 | 2.686 | 2.690 | 0.500 | 470390 | 470 | S | 0.750 | 1.874 | 1.880 | 0.252 |
| 470077 | 470 | S | 1.500 | 2.758 | 2.762 | 0.500 | 470394 | 470 | S | 1.500 | 2.125 | 2.131 | 0.311 |
| 470086 | 470 | S | 1.687 | 3.062 | 3.066 | 0.500 | 470398 | 470 | S | 0.875 | 1.375 | 1.381 | 0.252 |
| 470088 | 470 | S | 1.750 | 3.189 | 3.194 | 0.437 | 470403 | 470 | S | 1.375 | 2.062 | 2.068 | 0.438 |
| 470094 | 470 | S | 1.937 | 3.189 | 3.194 | 0.437 | 470409 | 470 | S | 1.937 | 2.412 | 2.416 | 0.468 |
| 470109N | 470 | N | 1.562 | 2.750 | 2.754 | 0.500 | 470451 | 470 | S | 1.500 | 2.062 | 2.068 | 0.438 |
| 470119 | 470 | S | 0.500 | 0.999 | 1.005 | 0.252 | 470460 | 470 | S | 1.687 | 2.561 | 2.565 | 0.500 |
| 470120 | 470 | S | 1.000 | 1.500 | 1.506 | 0.311 | 470487 | 470 | S | 1.500 | 2.686 | 2.690 | 0.500 |
| 470129 | 470 | S | 1.312 | 2.062 | 2.066 | 0.437 | 470487N | 470 | N | 1.500 | 2.686 | 2.690 | 0.500 |
| 470135 | 470 | S | 1.375 | 2.125 | 2.131 | 0.311 | 470503 | 470 | S | 1.312 | 2.437 | 2.441 | 0.468 |

| Part Number | Style | Matl | Shaft | Bore | O.D. | Width | Part Number | Style | Matl | Shaft | Bore | O.D. | Width |
|-------------|-------|------|-------|-------|-------|-------|-------------|-------|------|-------|-------|-------|-------|
| 470506 | 470 | S | 0.718 | 1.250 | 1.254 | 0.375 | 470989 | 470 | S | 1.375 | 3.000 | 3.006 | 0.500 |
| 470515 | 470 | S | 0.812 | 1.561 | 1.565 | 0.375 | 471015 | 470 | S | 0.937 | 1.375 | 1.381 | 0.252 |
| 470530 | 470 | S | 2.000 | 2.996 | 3.001 | 0.375 | 471024 | 470 | S | 0.625 | 1.624 | 1.628 | 0.437 |
| 470541 | 470 | S | 1.000 | 1.752 | 1.758 | 0.252 | 471076 | 470 | S | 1.031 | 1.575 | 1.584 | 0.311 |
| 470543 | 470 | S | 2.000 | 2.716 | 2.720 | 0.468 | 471076V | 470 | V | 1.031 | 1.575 | 1.584 | 0.311 |
| 470547 | 470 | S | 2.881 | 3.429 | 3.436 | 0.291 | 471100 | 470 | S | 1.125 | 1.624 | 1.630 | 0.252 |
| 470548 | 470 | S | 1.500 | 2.250 | 2.256 | 0.311 | 471103 | 470 | S | 0.375 | 0.999 | 1.004 | 0.250 |
| 470553 | 470 | S | 1.000 | 1.500 | 1.506 | 0.311 | 471105 | 470 | S | 1.375 | 2.875 | 2.879 | 0.468 |
| 470557 | 470 | S | 0.625 | 1.375 | 1.381 | 0.252 | 471137 | 470 | S | 0.875 | 1.828 | 1.833 | 0.252 |
| 470565 | 470 | S | 2.375 | 3.125 | 3.131 | 0.374 | 471138 | 470 | S | 2.250 | 3.125 | 3.131 | 0.374 |
| 470567 | 470 | S | 0.875 | 1.375 | 1.381 | 0.252 | 471141 | 470 | S | 1.750 | 2.875 | 2.879 | 0.375 |
| 470567N | 470 | N | 0.875 | 1.375 | 1.381 | 0.252 | 471169 | 470 | S | 1.750 | 2.411 | 2.415 | 0.380 |
| 470574N | 470 | N | 2.375 | 3.251 | 3.256 | 0.500 | 471192 | 470 | S | 1.375 | 2.125 | 2.131 | 0.311 |
| 470588 | 470 | S | 0.812 | 1.575 | 1.579 | 0.375 | 471193 | 470 | S | 1.301 | 2.000 | 2.004 | 0.437 |
| 470590 | 470 | S | 0.875 | 1.752 | 1.758 | 0.252 | 471195 | 470 | S | 1.937 | 2.502 | 2.506 | 0.375 |
| 470592 | 470 | S | 0.813 | 1.499 | 1.505 | 0.250 | 471224 | 470 | S | 1.000 | 1.499 | 1.505 | 0.252 |
| 470593 | 470 | S | 1.000 | 1.828 | 1.832 | 0.296 | 471224A | 470 | A | 1.000 | 1.499 | 1.505 | 0.252 |
| 470596 | 470 | S | 1.687 | 2.835 | 2.841 | 0.469 | 471224V | 470 | V | 1.000 | 1.499 | 1.505 | 0.252 |
| 470596V | 470 | V | 1.687 | 2.835 | 2.841 | 0.469 | 471231 | 470 | S | 0.813 | 1.375 | 1.381 | 0.252 |
| 470601 | 470 | S | 0.781 | 1.250 | 1.254 | 0.250 | 471255 | 470 | S | 0.625 | 1.375 | 1.379 | 0.252 |
| 470604 | 470 | S | 1.125 | 2.250 | 2.254 | 0.500 | 471255A | 470 | A | 0.625 | 1.375 | 1.379 | 0.252 |
| 470605 | 470 | S | 2.500 | 3.371 | 3.378 | 0.374 | 471255V | 470 | V | 0.625 | 1.375 | 1.379 | 0.252 |
| 470606 | 470 | S | 1.063 | 1.686 | 1.691 | 0.313 | 471264 | 470 | S | 0.625 | 1.250 | 1.259 | 0.252 |
| 470625 | 470 | S | 1.500 | 2.250 | 2.256 | 0.311 | ◆152807XX | 320 | S | 0.625 | 1.250 | 1.259 | 0.252 |
| 470625A | 470 | A | 1.500 | 2.250 | 2.256 | 0.311 | | | | 15 | 0.000 | 1.102 | 0.276 |
| 470625V | 470 | V | 1.500 | 2.250 | 2.256 | 0.311 | 471267 | 470 | S | 0.875 | 1.375 | 1.381 | 0.252 |
| 470645 | 470 | S | 0.875 | 2.000 | 2.004 | 0.437 | 471267T | 470 | T | 0.875 | 1.375 | 1.381 | 0.252 |
| 470672 | 470 | S | 1.399 | 2.250 | 2.254 | 0.250 | 471267A | 470 | A | 0.875 | 1.375 | 1.381 | 0.252 |
| 470680 | 470 | S | 0.875 | 1.500 | 1.506 | 0.311 | 471267V | 470 | V | 0.875 | 1.375 | 1.381 | 0.252 |
| 470682 | 470 | S | 1.563 | 2.623 | 2.629 | 0.313 | 471268 | 470 | S | 1.375 | 2.000 | 2.006 | 0.311 |
| 470687 | 470 | S | 1.687 | 3.125 | 3.130 | 0.500 | 471268N | 470 | N | 1.375 | 2.000 | 2.006 | 0.311 |
| 470712 | 470 | S | 1.125 | 1.874 | 1.880 | 0.250 | 471270 | 470 | S | 1.000 | 1.561 | 1.565 | 0.250 |
| 470712A | 470 | A | 1.125 | 1.874 | 1.880 | 0.250 | 471271 | 470 | S | 2.500 | 3.251 | 3.258 | 0.374 |
| 470712V | 470 | V | 1.125 | 1.874 | 1.880 | 0.250 | 471271A | 470 | A | 2.500 | 3.251 | 3.258 | 0.374 |
| 470737 | 470 | S | 2.250 | 3.188 | 3.195 | 0.438 | 471271V | 470 | V | 2.500 | 3.251 | 3.258 | 0.374 |
| 470737N | 470 | N | 2.250 | 3.188 | 3.195 | 0.438 | 471272 | 470 | S | 2.250 | 3.000 | 3.006 | 0.374 |
| 470764 | 470 | S | 2.375 | 2.996 | 3.001 | 0.500 | 471272N | 470 | N | 2.250 | 3.000 | 3.006 | 0.374 |
| 470774 | 470 | S | 1.375 | 2.062 | 2.073 | 0.375 | 471276 | 470 | S | 1.375 | 2.441 | 2.447 | 0.375 |
| 470774V | 470 | V | 1.375 | 2.062 | 2.073 | 0.375 | 471276V | 470 | V | 1.375 | 2.441 | 2.447 | 0.375 |
| 470806 | 470 | S | 1.250 | 2.835 | 2.841 | 0.374 | 471281 | 470 | S | 0.563 | 1.125 | 1.131 | 0.252 |
| 470808 | 470 | S | 1.437 | 2.750 | 2.754 | 0.500 | 471291V | 470 | V | 0.625 | 1.181 | 1.185 | 0.350 |
| 470895 | 470 | S | 0.750 | 1.375 | 1.381 | 0.252 | 471316 | 470 | S | 1.563 | 2.686 | 2.692 | 0.313 |
| 470898 | 470 | S | 2.125 | 2.875 | 2.881 | 0.374 | 471337 | 470 | S | 0.781 | 1.752 | 1.757 | 0.311 |
| 470898A | 470 | A | 2.125 | 2.875 | 2.881 | 0.374 | 471341 | 470 | S | 2.250 | 2.996 | 3.001 | 0.437 |
| 470946 | 470 | S | 1.187 | 2.686 | 2.690 | 0.500 | 471341N | 470 | N | 2.250 | 2.996 | 3.001 | 0.437 |
| 470950 | 470 | S | 1.375 | 2.437 | 2.441 | 0.375 | 471344 | 470 | S | 1.500 | 2.441 | 2.447 | 0.313 |
| 470954 | 470 | S | 0.750 | 1.250 | 1.256 | 0.252 | 471354 | 470 | S | 1.187 | 2.062 | 2.068 | 0.250 |
| 470954A | 470 | A | 0.750 | 1.250 | 1.256 | 0.252 | 471379 | 470 | S | 1.375 | 3.149 | 3.155 | 0.374 |
| 470954V | 470 | V | 0.750 | 1.250 | 1.256 | 0.252 | 471391 | 470 | S | 1.937 | 3.125 | 3.130 | 0.375 |
| 470987 | 470 | S | 2.375 | 3.481 | 3.486 | 0.437 | 471405 | 470 | S | 1.437 | 3.000 | 3.005 | 0.500 |

| Part Number | Style | Matl | Shaft | Bore | O.D. | Width | Part Number | Style | Matl | Shaft | Bore | O.D. | Width |
|-------------|-------|------|-------|-------|-------|-------|-------------|-------|------|-------|-------|-------|-------|
| 471407 | 470 | S | 1.250 | 2.441 | 2.445 | 0.375 | 471645 | 470 | S | 0.812 | 1.624 | 1.628 | 0.250 |
| 471413 | 470 | S | 1.250 | 1.752 | 1.758 | 0.250 | 471645V | 470 | V | 0.812 | 1.624 | 1.628 | 0.250 |
| 471413A | 470 | A | 1.250 | 1.752 | 1.758 | 0.250 | 471646 | 470 | S | 0.875 | 1.624 | 1.630 | 0.252 |
| 471413V | 470 | V | 1.250 | 1.752 | 1.758 | 0.250 | 471647 | 470 | S | 0.937 | 1.624 | 1.628 | 0.250 |
| 471419 | 470 | S | 1.625 | 2.438 | 2.444 | 0.375 | 471648 | 470 | S | 0.968 | 1.624 | 1.628 | 0.250 |
| 471424 | 470 | S | 2.000 | 2.623 | 2.629 | 0.311 | 471649 | 470 | S | 1.000 | 1.624 | 1.630 | 0.250 |
| 471424A | 470 | A | 2.000 | 2.623 | 2.629 | 0.311 | 471649A | 470 | A | 1.000 | 1.624 | 1.630 | 0.250 |
| 471424V | 470 | V | 2.000 | 2.623 | 2.629 | 0.311 | 471649V | 470 | V | 1.000 | 1.624 | 1.630 | 0.250 |
| 471442 | 470 | S | 0.500 | 0.999 | 1.005 | 0.252 | 471651 | 470 | S | 1.062 | 1.624 | 1.633 | 0.251 |
| 471442A | 470 | A | 0.500 | 0.999 | 1.005 | 0.252 | 471652 | 470 | S | 1.125 | 1.624 | 1.630 | 0.252 |
| 471442V | 470 | V | 0.500 | 0.999 | 1.005 | 0.252 | 471652A | 470 | A | 1.125 | 1.624 | 1.630 | 0.252 |
| 471443 | 470 | S | 0.781 | 1.375 | 1.381 | 0.252 | 471652V | 470 | V | 1.125 | 1.624 | 1.630 | 0.252 |
| 471465 | 470 | S | 1.000 | 1.689 | 1.695 | 0.252 | 471653 | 470 | S | 0.625 | 1.624 | 1.628 | 0.312 |
| 471466 | 470 | S | 0.625 | 1.124 | 1.128 | 0.252 | 471653A | 470 | S | 0.750 | 1.752 | 1.756 | 0.250 |
| 471466A | 470 | A | 0.625 | 1.124 | 1.128 | 0.252 | 471684 | 470 | S | 0.812 | 1.752 | 1.756 | 0.250 |
| 471466V | 470 | V | 0.625 | 1.124 | 1.128 | 0.252 | 471686 | 470 | S | 0.812 | 1.752 | 1.756 | 0.250 |
| 471472 | 470 | S | 0.500 | 1.250 | 1.256 | 0.250 | 471688 | 470 | S | 0.968 | 1.752 | 1.756 | 0.250 |
| 471472V | 470 | V | 0.500 | 1.250 | 1.256 | 0.250 | 471689 | 470 | S | 1.000 | 1.752 | 1.758 | 0.252 |
| 471498 | 470 | S | 0.750 | 1.575 | 1.584 | 0.311 | 471689A | 470 | A | 1.000 | 1.752 | 1.758 | 0.252 |
| 471504 | 470 | S | 1.750 | 2.437 | 2.443 | 0.313 | 471689V | 470 | V | 1.000 | 1.752 | 1.758 | 0.252 |
| 471516 | 470 | S | 1.000 | 2.441 | 2.445 | 0.375 | 471692 | 470 | S | 1.125 | 1.752 | 1.758 | 0.250 |
| 471526 | 470 | S | 0.500 | 1.124 | 1.128 | 0.252 | 471692A | 470 | A | 1.125 | 1.752 | 1.758 | 0.250 |
| 471526A | 470 | A | 0.500 | 1.124 | 1.128 | 0.252 | 471698 | 470 | S | 0.750 | 1.752 | 1.756 | 0.312 |
| 471529 | 470 | S | 0.687 | 1.124 | 1.130 | 0.252 | 471705 | 470 | S | 1.062 | 1.752 | 1.756 | 0.312 |
| 471530 | 470 | S | 0.531 | 1.124 | 1.128 | 0.312 | 471707 | 470 | S | 1.156 | 1.752 | 1.756 | 0.312 |
| 471532 | 470 | S | 0.593 | 1.124 | 1.128 | 0.312 | 471707N | 470 | N | 1.156 | 1.752 | 1.756 | 0.312 |
| 471535 | 470 | S | 0.562 | 1.250 | 1.254 | 0.250 | 471709 | 470 | S | 1.250 | 1.752 | 1.758 | 0.313 |
| 471538 | 470 | S | 0.687 | 1.250 | 1.256 | 0.250 | 471729 | 470 | S | 0.812 | 1.874 | 1.878 | 0.250 |
| 471539 | 470 | S | 0.813 | 1.250 | 1.256 | 0.232 | 471730 | 470 | S | 0.875 | 1.875 | 1.881 | 0.252 |
| 471540V | 470 | V | 0.781 | 1.250 | 1.254 | 0.375 | 471733 | 470 | S | 1.000 | 1.874 | 1.880 | 0.252 |
| 471549 | 470 | S | 0.500 | 1.375 | 1.379 | 0.250 | 471735 | 470 | S | 1.062 | 1.874 | 1.878 | 0.250 |
| 471551 | 470 | S | 0.563 | 1.378 | 1.384 | 0.252 | 471736 | 470 | S | 1.156 | 1.874 | 1.878 | 0.250 |
| 471553 | 470 | S | 0.687 | 1.375 | 1.379 | 0.250 | 471737 | 470 | S | 1.250 | 1.874 | 1.880 | 0.252 |
| 471554 | 470 | S | 0.750 | 1.375 | 1.381 | 0.252 | 471744 | 470 | S | 1.000 | 1.983 | 1.987 | 0.250 |
| 471554A | 470 | A | 0.750 | 1.375 | 1.381 | 0.252 | 471747 | 470 | S | 1.125 | 1.983 | 1.989 | 0.250 |
| 471554V | 470 | V | 0.750 | 1.375 | 1.381 | 0.252 | 471750 | 470 | S | 1.250 | 1.983 | 1.989 | 0.252 |
| 471555 | 470 | S | 0.500 | 1.375 | 1.379 | 0.312 | 471750A | 470 | A | 1.250 | 1.983 | 1.989 | 0.252 |
| 471558 | 470 | S | 0.593 | 1.375 | 1.379 | 0.312 | 471750V | 470 | V | 1.250 | 1.983 | 1.989 | 0.252 |
| 471564 | 470 | S | 0.625 | 1.499 | 1.505 | 0.252 | 471760 | 470 | S | 1.000 | 2.000 | 2.006 | 0.252 |
| 471567 | 470 | S | 0.750 | 1.499 | 1.505 | 0.252 | 471760A | 470 | A | 1.000 | 2.000 | 2.006 | 0.252 |
| 471570 | 470 | S | 0.875 | 1.499 | 1.503 | 0.250 | 471760V | 470 | V | 1.000 | 2.000 | 2.006 | 0.252 |
| 471570V | 470 | V | 0.875 | 1.499 | 1.503 | 0.250 | 471762 | 470 | S | 1.063 | 2.000 | 2.006 | 0.250 |
| 471571 | 470 | S | 0.937 | 1.499 | 1.503 | 0.250 | 471763 | 470 | S | 1.125 | 2.000 | 2.006 | 0.252 |
| 471571V | 470 | V | 0.937 | 1.499 | 1.503 | 0.250 | 471763A | 470 | A | 1.125 | 2.000 | 2.006 | 0.252 |
| 471579 | 470 | S | 0.687 | 1.499 | 1.503 | 0.312 | 471763V | 470 | V | 1.125 | 2.000 | 2.006 | 0.252 |
| 471612 | 470 | S | 0.625 | 1.574 | 1.580 | 0.311 | 471765 | 470 | S | 1.187 | 2.000 | 2.006 | 0.252 |
| 471619 | 470 | S | 1.000 | 2.062 | 2.066 | 0.250 | 471766 | 470 | S | 1.250 | 2.000 | 2.006 | 0.252 |
| 471633 | 470 | S | 0.875 | 1.577 | 1.581 | 0.250 | 471766A | 470 | A | 1.250 | 2.000 | 2.006 | 0.252 |
| 471642 | 470 | S | 0.687 | 1.624 | 1.628 | 0.250 | 471766V | 470 | V | 1.250 | 2.000 | 2.006 | 0.252 |
| 471643 | 470 | S | 0.750 | 1.624 | 1.630 | 0.252 | 471772 | 470 | S | 1.062 | 2.000 | 2.004 | 0.375 |
| | | | | | | | 471785 | 470 | S | 1.125 | 2.062 | 2.066 | 0.250 |

| Part Number | Style | Matl | Shaft | Bore | O.D. | Width | Part Number | Style | Matl | Shaft | Bore | O.D. | Width |
|-------------|-------|------|-------|-------|-------|-------|-------------|-------|------|-------|-------|-------|-------|
| 471787 | 470 | S | 1.250 | 2.062 | 2.066 | 0.250 | 472164V | 470 | V | 1.750 | 2.502 | 2.508 | 0.311 |
| 471787A | 470 | A | 1.250 | 2.062 | 2.066 | 0.250 | 472179 | 470 | S | 1.750 | 2.750 | 2.756 | 0.311 |
| 471795 | 470 | S | 1.250 | 2.125 | 2.131 | 0.250 | 472179A | 470 | A | 1.750 | 2.750 | 2.756 | 0.311 |
| 471795N | 470 | N | 1.250 | 2.125 | 2.131 | 0.250 | 472185 | 470 | S | 1.750 | 2.623 | 2.629 | 0.311 |
| 471801 | 470 | S | 1.250 | 2.252 | 2.256 | 0.375 | 472189A← | 470 | S | 1.500 | 2.377 | 2.629 | 0.311 |
| 471808 | 470 | S | 1.250 | 2.374 | 2.380 | 0.311 | 472193 | 470 | S | 1.750 | 2.561 | 2.566 | 0.312 |
| 471817 | 470 | S | 1.812 | 2.437 | 2.441 | 0.468 | 472213 | 470 | S | 1.563 | 2.250 | 2.256 | 0.311 |
| 471818 | 470 | S | 1.250 | 2.437 | 2.443 | 0.311 | 472222 | 470 | S | 1.531 | 2.374 | 2.379 | 0.375 |
| 471820 | 470 | S | 1.500 | 2.437 | 2.441 | 0.375 | 472234 | 470 | S | 2.187 | 2.996 | 3.001 | 0.375 |
| 471821 | 470 | S | 1.563 | 2.438 | 2.444 | 0.375 | 472238 | 470 | S | 0.968 | 2.440 | 2.445 | 0.375 |
| 471827 | 470 | S | 1.562 | 2.441 | 2.445 | 0.375 | 472239 | 470 | S | 1.156 | 2.834 | 2.839 | 0.375 |
| 471829 | 470 | S | 1.625 | 2.438 | 2.444 | 0.375 | 472258 | 470 | S | 1.375 | 2.000 | 2.006 | 0.311 |
| 471829V | 470 | V | 1.625 | 2.438 | 2.444 | 0.375 | 472258A | 470 | A | 1.375 | 2.000 | 2.006 | 0.311 |
| 471831 | 470 | S | 1.750 | 2.441 | 2.447 | 0.374 | 472258V | 470 | V | 1.375 | 2.000 | 2.006 | 0.311 |
| 471833 | 470 | S | 1.250 | 2.502 | 2.506 | 0.375 | 472287 | 470 | S | 1.375 | 2.106 | 2.110 | 0.312 |
| 471835 | 470 | S | 1.375 | 2.500 | 2.506 | 0.313 | 472299V | 470 | V | 1.563 | 2.374 | 2.380 | 0.311 |
| 471841 | 470 | S | 1.843 | 2.502 | 2.506 | 0.375 | 472299 | 470 | S | 1.563 | 2.374 | 2.380 | 0.311 |
| 471845N | 470 | N | 1.250 | 2.561 | 2.565 | 0.500 | 472311 | 470 | S | 1.000 | 1.437 | 1.441 | 0.250 |
| 471847N | 470 | N | 1.375 | 2.561 | 2.567 | 0.374 | 472311V | 470 | V | 1.000 | 1.437 | 1.441 | 0.250 |
| 471854 | 470 | S | 1.937 | 2.561 | 2.565 | 0.500 | 472319 | 470 | S | 1.937 | 2.623 | 2.629 | 0.313 |
| 471866 | 470 | S | 1.812 | 2.686 | 2.690 | 0.375 | 472324 | 470 | S | 0.980 | 1.500 | 1.506 | 0.252 |
| 471868 | 470 | S | 1.875 | 2.686 | 2.692 | 0.313 | 472324A | 470 | A | 0.980 | 1.500 | 1.506 | 0.252 |
| 471869 | 470 | S | 1.937 | 2.686 | 2.692 | 0.311 | 472324V | 470 | V | 0.980 | 1.500 | 1.506 | 0.252 |
| 471870 | 470 | S | 2.000 | 2.686 | 2.692 | 0.374 | 472341 | 470 | S | 2.000 | 2.742 | 2.748 | 0.375 |
| 471883 | 470 | S | 2.000 | 2.686 | 2.690 | 0.437 | 472350 | 470 | S | 1.187 | 2.165 | 2.169 | 0.250 |
| 471887 | 470 | S | 2.437 | 3.125 | 3.130 | 0.375 | 472354 | 470 | S | 1.375 | 1.874 | 1.880 | 0.313 |
| 471904 | 470 | S | 1.313 | 2.835 | 2.841 | 0.375 | 472394 | 470 | S | 1.937 | 3.000 | 3.006 | 0.311 |
| 471915 | 470 | S | 1.500 | 2.835 | 2.839 | 0.468 | 472397 | 470 | S | 2.000 | 3.000 | 3.006 | 0.311 |
| 471923N | 470 | N | 1.625 | 2.875 | 2.879 | 0.437 | 472419 | 470 | S | 1.625 | 2.116 | 2.120 | 0.312 |
| 471950 | 470 | S | 2.125 | 2.758 | 2.762 | 0.437 | 472432 | 470 | S | 1.188 | 2.440 | 2.446 | 0.251 |
| 471952 | 470 | S | 2.187 | 2.835 | 2.839 | 0.468 | 472439 | 470 | S | 1.875 | 2.623 | 2.629 | 0.313 |
| 471958 | 470 | S | 1.500 | 3.000 | 3.006 | 0.374 | 472439A | 470 | A | 1.875 | 2.623 | 2.629 | 0.313 |
| 471981 | 470 | S | 1.687 | 3.000 | 3.006 | 0.375 | 472439V | 470 | V | 1.875 | 2.623 | 2.629 | 0.313 |
| 471984 | 470 | S | 1.750 | 3.000 | 3.006 | 0.374 | 472446 | 470 | S | 1.500 | 3.149 | 3.155 | 0.438 |
| 472012 | 470 | S | 2.062 | 3.000 | 3.006 | 0.311 | 472452 | 470 | S | 0.843 | 1.374 | 1.378 | 0.312 |
| 472015 | 470 | S | 2.125 | 3.000 | 3.005 | 0.375 | 472466 | 470 | S | 1.500 | 2.048 | 2.052 | 0.375 |
| 472015V | 470 | V | 2.125 | 3.000 | 3.005 | 0.375 | 472467 | 470 | S | 0.500 | 1.378 | 1.382 | 0.406 |
| 472016 | 470 | S | 2.125 | 3.125 | 3.131 | 0.374 | 472475 | 470 | S | 1.187 | 1.874 | 1.880 | 0.252 |
| 472018 | 470 | S | 2.187 | 3.000 | 3.006 | 0.374 | 472492 | 470 | S | 2.000 | 2.750 | 2.756 | 0.311 |
| 472020 | 470 | S | 2.187 | 3.125 | 3.131 | 0.375 | 472492A | 470 | A | 2.000 | 2.750 | 2.756 | 0.311 |
| 472029 | 470 | S | 2.500 | 3.189 | 3.194 | 0.375 | 472535 | 470 | S | 1.125 | 2.533 | 2.537 | 0.250 |
| 472041 | 470 | S | 1.875 | 2.502 | 2.506 | 0.375 | 472536 | 470 | S | 1.250 | 2.877 | 2.881 | 0.250 |
| 472070 | 470 | S | 1.812 | 2.623 | 2.627 | 0.375 | 472538 | 470 | S | 0.750 | 2.127 | 2.131 | 0.250 |
| 472082 | 470 | S | 2.000 | 2.884 | 2.890 | 0.311 | 472539 | 470 | S | 1.000 | 2.533 | 2.537 | 0.250 |
| 472138 | 470 | S | 1.000 | 2.047 | 2.051 | 0.312 | 472554 | 470 | S | 1.500 | 1.983 | 1.989 | 0.252 |
| 472144 | 470 | S | 1.937 | 2.875 | 2.881 | 0.313 | 472560N | 470 | N | 1.125 | 1.561 | 1.567 | 0.250 |
| 472150 | 470 | S | 2.313 | 3.125 | 3.131 | 0.375 | 472572 | 470 | S | 1.875 | 2.750 | 2.756 | 0.311 |
| 472157 | 470 | S | 4.250 | 5.251 | 5.256 | 0.375 | 472591 | 470 | S | 1.500 | 2.328 | 2.332 | 0.437 |
| 472164 | 470 | S | 1.750 | 2.502 | 2.508 | 0.311 | 472635 | 470 | S | 1.552 | 2.502 | 2.506 | 0.500 |
| 472164A | 470 | A | 1.750 | 2.502 | 2.508 | 0.311 | 472636 | 470 | S | 2.250 | 3.251 | 3.258 | 0.374 |

| Part Number | Style | Matl | Shaft | Bore | O.D. | Width | Part Number | Style | Matl | Shaft | Bore | O.D. | Width |
|-------------|-------|------|-------|-------|-------|-------|-------------|-------|------|-------|-------|-------|-------|
| 472642 | 470 | S | 1.375 | 2.047 | 2.053 | 0.311 | 473215 | 470 | S | 1.375 | 2.374 | 2.380 | 0.311 |
| 472642V | 470 | V | 1.375 | 2.047 | 2.053 | 0.311 | 473224 | 470 | S | 1.437 | 2.125 | 2.131 | 0.313 |
| 472644 | 470 | S | 1.125 | 2.047 | 2.053 | 0.311 | 473225 | 470 | S | 1.437 | 2.374 | 2.380 | 0.311 |
| 472644V | 470 | V | 1.125 | 2.047 | 2.053 | 0.311 | 473226 | 470 | S | 1.437 | 2.502 | 2.508 | 0.311 |
| 472649 | 470 | S | 0.750 | 2.047 | 2.053 | 0.311 | 473227 | 470 | S | 1.500 | 2.125 | 2.131 | 0.311 |
| 472651V | 470 | V | 1.250 | 3.150 | 3.155 | 0.375 | 473227V | 470 | V | 1.500 | 2.125 | 2.131 | 0.311 |
| 472653 | 470 | S | 2.000 | 2.835 | 2.839 | 0.375 | 473228 | 470 | S | 1.500 | 2.502 | 2.508 | 0.311 |
| 472653V | 470 | V | 2.000 | 2.835 | 2.839 | 0.375 | 473229 | 470 | S | 1.563 | 2.502 | 2.508 | 0.311 |
| 472655 | 470 | S | 1.437 | 2.312 | 2.318 | 0.374 | 473230 | 470 | S | 1.625 | 2.250 | 2.256 | 0.311 |
| 472658 | 470 | S | 1.375 | 2.835 | 2.841 | 0.374 | 473231 | 470 | S | 1.625 | 2.374 | 2.380 | 0.311 |
| 472660 | 470 | S | 1.656 | 2.938 | 2.944 | 0.374 | 473231A | 470 | A | 1.625 | 2.374 | 2.380 | 0.311 |
| 472674 | 470 | S | 1.125 | 1.983 | 1.987 | 0.375 | 473232 | 470 | S | 1.625 | 2.623 | 2.629 | 0.311 |
| 472681 | 470 | S | 1.125 | 2.441 | 2.445 | 0.375 | 473233 | 470 | S | 1.687 | 2.374 | 2.380 | 0.311 |
| 472681V | 470 | V | 1.125 | 2.441 | 2.445 | 0.375 | 473234 | 470 | S | 1.687 | 2.502 | 2.508 | 0.311 |
| 472705 | 470 | S | 0.562 | 0.999 | 1.005 | 0.250 | 473235 | 470 | S | 1.687 | 2.623 | 2.629 | 0.311 |
| 472747 | 470 | S | 1.875 | 2.470 | 2.475 | 0.437 | 473236 | 470 | S | 1.687 | 2.750 | 2.756 | 0.311 |
| 472758V | 470 | V | 1.625 | 2.502 | 2.506 | 0.250 | 473237 | 470 | S | 1.750 | 2.374 | 2.380 | 0.311 |
| 472810 | 470 | S | 0.437 | 0.875 | 0.881 | 0.252 | 473237V | 470 | V | 1.750 | 2.374 | 2.380 | 0.311 |
| 472826 | 470 | S | 1.312 | 2.062 | 2.066 | 0.312 | 473238 | 470 | S | 1.875 | 2.875 | 2.881 | 0.311 |
| 472843 | 470 | S | 1.375 | 2.623 | 2.627 | 0.375 | 473239 | 470 | S | 1.875 | 3.000 | 3.006 | 0.313 |
| 472856 | 470 | S | 2.375 | 3.350 | 3.355 | 0.438 | 473240 | 470 | S | 1.872 | 3.125 | 3.131 | 0.313 |
| 472878 | 470 | S | 0.735 | 1.248 | 1.252 | 0.250 | 473241 | 470 | S | 1.937 | 2.750 | 2.756 | 0.313 |
| 472924 | 470 | S | 2.000 | 2.875 | 2.881 | 0.311 | 473242 | 470 | S | 2.000 | 3.125 | 3.131 | 0.311 |
| 472950 | 470 | S | 0.813 | 2.441 | 2.447 | 0.313 | 473243 | 470 | S | 2.125 | 3.251 | 3.258 | 0.374 |
| 472951 | 470 | S | 0.937 | 1.750 | 1.756 | 0.311 | 473244 | 470 | S | 2.187 | 2.875 | 2.881 | 0.374 |
| 472953V | 470 | V | 1.063 | 2.835 | 2.841 | 0.374 | 473245 | 470 | S | 2.187 | 3.251 | 3.258 | 0.374 |
| 472953 | 470 | S | 1.063 | 2.835 | 2.841 | 0.374 | 473258 | 470 | S | 1.375 | 2.561 | 2.567 | 0.374 |
| 472954 | 470 | S | 1.125 | 2.835 | 2.841 | 0.374 | 473259 | 470 | S | 1.125 | 2.441 | 2.445 | 0.250 |
| 472954V | 470 | V | 1.125 | 2.835 | 2.841 | 0.374 | 473274 | 470 | S | 2.500 | 3.428 | 3.435 | 0.375 |
| 473010 | 470 | S | 1.625 | 2.502 | 2.508 | 0.311 | 473274N | 470 | N | 2.500 | 3.428 | 3.435 | 0.375 |
| 473010A | 470 | A | 1.625 | 2.502 | 2.508 | 0.311 | 473313 | 470 | S | 1.750 | 3.061 | 3.066 | 0.375 |
| 473010N | 470 | N | 1.625 | 2.502 | 2.508 | 0.311 | 473317 | 470 | S | 1.688 | 2.328 | 2.334 | 0.313 |
| 473016 | 470 | S | 1.437 | 2.250 | 2.256 | 0.311 | 473336 | 470 | S | 1.719 | 2.561 | 2.567 | 0.500 |
| 473096 | 470 | S | 0.375 | 0.875 | 0.880 | 0.250 | 473367 | 470 | S | 1.625 | 2.437 | 2.441 | 0.312 |
| 473117 | 470 | S | 1.625 | 2.328 | 2.332 | 0.437 | 473380 | 470 | S | 1.000 | 1.575 | 1.579 | 0.250 |
| 473135V | 470 | V | 1.250 | 1.686 | 1.691 | 0.250 | 473405 | 470 | S | 0.593 | 1.250 | 1.254 | 0.312 |
| 473157 | 470 | S | 1.750 | 2.449 | 2.453 | 0.312 | 473406 | 470 | S | 0.750 | 1.828 | 1.832 | 0.375 |
| 473179 | 470 | S | 1.875 | 2.758 | 2.764 | 0.313 | 473407 | 470 | S | 0.750 | 1.983 | 1.987 | 0.250 |
| 473197 | 470 | S | 1.375 | 2.835 | 2.841 | 0.311 | 473412 | 470 | S | 0.812 | 1.828 | 1.832 | 0.375 |
| 473197V | 470 | V | 1.375 | 2.835 | 2.841 | 0.311 | 473413 | 470 | S | 0.843 | 1.499 | 1.503 | 0.250 |
| 473203 | 470 | S | 1.187 | 1.752 | 1.758 | 0.252 | 473414 | 470 | S | 0.843 | 1.624 | 1.628 | 0.250 |
| 473204 | 470 | S | 2.125 | 2.750 | 2.756 | 0.374 | 473415 | 470 | S | 0.843 | 1.828 | 1.832 | 0.312 |
| 473205 | 470 | S | 1.187 | 2.125 | 2.131 | 0.250 | 473416 | 470 | S | 0.737 | 1.375 | 1.379 | 0.343 |
| 473210 | 470 | S | 1.313 | 2.000 | 2.006 | 0.313 | 473419 | 470 | S | 1.062 | 1.828 | 1.832 | 0.375 |
| 473211 | 470 | S | 1.313 | 2.125 | 2.131 | 0.311 | 473420 | 470 | S | 1.062 | 2.062 | 2.066 | 0.375 |
| 473212A | 470 | A | 1.313 | 2.250 | 2.256 | 0.311 | 473421 | 470 | S | 1.312 | 2.106 | 2.110 | 0.375 |
| 473212 | 470 | S | 1.313 | 2.250 | 2.256 | 0.311 | 473422 | 470 | S | 1.312 | 1.983 | 1.987 | 0.375 |
| 473213 | 470 | S | 1.313 | 2.374 | 2.380 | 0.313 | 473423 | 470 | S | 1.312 | 1.874 | 1.878 | 0.375 |
| 473214 | 470 | S | 1.375 | 2.250 | 2.256 | 0.311 | 473424 | 470 | S | 1.281 | 2.000 | 2.011 | 0.374 |
| 473214A | 470 | A | 1.375 | 2.250 | 2.256 | 0.311 | 473425 | 470 | S | 1.187 | 1.828 | 1.832 | 0.375 |

| Part Number | Style | Matl | Shaft | Bore | O.D. | Width | Part Number | Style | Matl | Shaft | Bore | O.D. | Width |
|------------------|-------|------|-------|--------|-------|-------|------------------|-------|------|-------|-------|-------|-------|
| 473426 | 470 | S | 1.187 | 1.983 | 1.987 | 0.375 | 473814 | 470 | S | 1.968 | 2.623 | 2.627 | 0.312 |
| 473427 | 470 | S | 1.156 | 2.062 | 2.068 | 0.374 | ◆ 473823 | 470 | S | 1.378 | 2.165 | 2.172 | 0.315 |
| 473428 | 470 | S | 1.156 | 1.984 | 1.988 | 0.250 | | | | 35 | 55 | 55.17 | 8 |
| 473435 | 470 | S | 1.343 | 2.106 | 2.110 | 0.375 | 474069 | 470 | S | 2.125 | 2.561 | 2.565 | 0.492 |
| 473436 | 470 | S | 1.343 | 2.125 | 2.129 | 0.375 | 474127 | 470 | S | 1.417 | 2.250 | 2.254 | 0.250 |
| 473437 | 470 | S | 1.437 | 2.623 | 2.627 | 0.375 | 474131 | 470 | S | 0.750 | 1.302 | 1.306 | 0.250 |
| 473438 | 470 | S | 1.468 | 2.375 | 2.379 | 0.375 | ◆ 474133 | 470 | S | 1.575 | 2.913 | 2.918 | 0.394 |
| 473439 | 470 | S | 1.468 | 2.437 | 2.441 | 0.375 | | | | 40 | 74 | 74.12 | 10 |
| 473440 | 470 | S | 1.500 | 2.750 | 2.754 | 0.312 | ◆ 474134 | 470 | S | 1.969 | 0.103 | 2.618 | 0.512 |
| 473441 | 470 | S | 1.563 | 2.750 | 2.756 | 0.375 | | | | 50 | 2.62 | 66.50 | 13 |
| 473443 | 470 | S | 1.625 | 2.750 | 2.754 | 0.375 | ◆ 474161 | 470 | S | 1.575 | 0.101 | 2.559 | 0.374 |
| 473444 | 470 | S | 1.625 | 2.875 | 2.881 | 0.313 | | | | 40 | 2.56 | 65.00 | 9.50 |
| 473444V | 470 | V | 1.625 | 2.875 | 2.881 | 0.313 | 474216 | 470 | S | 1.625 | 2.562 | 2.565 | 0.375 |
| 473445 | 470 | S | 1.687 | 2.437 | 2.441 | 0.312 | 474230 | 470 | S | 2.875 | 3.540 | 3.548 | 0.315 |
| 473446 | 470 | S | 1.687 | 2.875 | 2.879 | 0.375 | 474241V → | 470 | V | 1.654 | 2.283 | 2.290 | 0.276 |
| 473447 | 470 | S | 1.750 | 2.758 | 2.762 | 0.375 | 474250 | 470 | S | 1.000 | 1.686 | 1.692 | 0.250 |
| 473448 | 470 | S | 1.750 | 2.996 | 3.001 | 0.375 | 474252 | 470 | S | 0.937 | 1.752 | 1.756 | 0.250 |
| 473449 | 470 | S | 1.812 | 2.750 | 2.754 | 0.375 | 474253 | 470 | S | 0.812 | 1.499 | 1.503 | 0.250 |
| 473450V | 470 | V | 1.812 | 2.875 | 2.879 | 0.375 | 474254 | 470 | S | 1.187 | 2.437 | 2.441 | 0.250 |
| 473451 | 470 | S | 1.843 | 2.623 | 2.627 | 0.375 | 474255 | 470 | S | 1.187 | 2.250 | 2.254 | 0.250 |
| 473452 | 470 | S | 1.843 | 2.750 | 2.754 | 0.375 | 474256 | 470 | S | 1.187 | 2.441 | 2.445 | 0.250 |
| 473453 | 470 | S | 1.843 | 2.875 | 2.879 | 0.375 | 474260 | 470 | S | 1.156 | 1.686 | 1.690 | 0.250 |
| 473454 | 470 | S | 1.875 | 2.502 | 2.506 | 0.315 | 474261 | 470 | S | 0.687 | 1.187 | 1.191 | 0.187 |
| 473455 | 470 | S | 1.875 | 2.835 | 2.839 | 0.375 | 474264 | 470 | S | 1.437 | 2.437 | 2.441 | 0.312 |
| 473458 | 470 | S | 1.875 | 3.189 | 3.194 | 0.375 | 474265 | 470 | S | 1.687 | 2.686 | 2.691 | 0.312 |
| 473459 | 470 | S | 1.937 | 2.686 | 2.690 | 0.312 | 474269 | 470 | S | 1.937 | 2.437 | 2.441 | 0.250 |
| 473460 | 470 | S | 1.938 | 2.996 | 3.002 | 0.313 | 474272 | 470 | S | 2.000 | 2.716 | 2.721 | 0.375 |
| 473461 | 470 | S | 1.937 | 3.061 | 3.066 | 0.375 | 474273 | 470 | S | 0.781 | 1.828 | 1.833 | 0.250 |
| 473462 | 470 | S | 1.937 | 3.189 | 3.194 | 0.375 | 474274 | 470 | S | 1.625 | 2.750 | 2.754 | 0.312 |
| 473463 | 470 | S | 2.000 | 3.061 | 3.067 | 0.375 | 474276 | 470 | S | 1.500 | 1.983 | 1.989 | 0.252 |
| 473464 | 470 | S | 2.000 | 3.189 | 3.194 | 0.375 | 474277 | 470 | S | 0.437 | 1.124 | 1.128 | 0.250 |
| 473466 | 470 | S | 2.062 | 2.996 | 3.001 | 0.375 | 474278 | 470 | S | 1.250 | 1.688 | 1.694 | 0.252 |
| 473467 | 470 | S | 2.125 | 2.996 | 3.001 | 0.750 | 474279N | 470 | N | 0.375 | 0.836 | 0.841 | 0.187 |
| 473468 | 470 | S | 2.125 | 3.061 | 3.067 | 0.500 | 474281 | 470 | S | 1.500 | 2.758 | 2.763 | 0.312 |
| 473471 | 470 | S | 2.187 | 3.062 | 3.066 | 0.375 | 475001 | 470 | S | 2.500 | 3.543 | 3.548 | 0.500 |
| 473473 | 470 | S | 2.250 | 3.061 | 3.067 | 0.375 | 475003N | 470 | N | 2.625 | 3.623 | 3.630 | 0.469 |
| 473474 | 470 | S | 2.375 | 3.061 | 3.067 | 0.375 | 475004H | 470 | H | 2.750 | 3.751 | 3.756 | 0.500 |
| 473475 | 470 | S | 2.375 | 3.189 | 3.194 | 0.375 | 475009N | 470 | N | 2.750 | 3.876 | 3.883 | 0.374 |
| 473476 | 470 | N | 2.500 | 3.150 | 3.155 | 0.315 | 475012N | 470 | N | 2.937 | 4.003 | 4.008 | 0.468 |
| 473490 | 470 | S | 1.562 | 3.150 | 3.155 | 0.312 | 475095 | 470 | S | 2.375 | 3.500 | 3.505 | 0.375 |
| 473517 | 470 | S | 1.562 | 2.125 | 2.129 | 0.375 | 475095N | 470 | N | 2.375 | 3.500 | 3.505 | 0.375 |
| 473546 | 470 | S | 0.551 | 1.000 | 1.004 | 0.312 | 475234N | 470 | N | 2.250 | 3.623 | 3.628 | 0.468 |
| 473551 | 470 | S | 1.250 | 2.047 | 2.058 | 0.297 | 475322N | 470 | N | 2.750 | 3.543 | 3.550 | 0.438 |
| 473560N → | 470 | N | 1.654 | 56.000 | 2.206 | 0.275 | 475368N | 470 | N | 2.625 | 3.500 | 3.505 | 0.500 |
| 473573 | 470 | S | 2.375 | 3.000 | 3.005 | 0.375 | 475380N | 470 | N | 2.375 | 3.623 | 3.628 | 0.468 |
| ◆ 473677 | 470 | S | 1.575 | 2.165 | 2.176 | 0.315 | 475384 | 470 | S | 2.812 | 4.003 | 4.008 | 0.468 |
| | | | 40 | 55 | 55.27 | 8 | 475458 | 470 | S | 2.625 | 3.623 | 3.630 | 0.374 |
| 473694 | 470 | S | 1.625 | 2.000 | 2.004 | 0.250 | 475500 | 470 | S | 3.298 | 4.125 | 4.130 | 0.562 |
| 473796 | 470 | S | 1.750 | 2.565 | 2.571 | 0.313 | 475845 | 470 | S | 4.000 | 4.999 | 5.004 | 0.375 |
| 473812 | 470 | S | 1.312 | 2.166 | 2.172 | 0.375 | 475960 | 470 | S | 2.750 | 3.876 | 3.883 | 0.374 |

| Part Number | Style | Matl | Shaft | Bore | O.D. | Width | Part Number | Style | Matl | Shaft | Bore | O.D. | Width |
|-------------|-------|------|------------|-------------|----------------|-------------|-------------|-------|------|-------|-------|-------|-------|
| 476023N | 470 | N | 3.000 | 3.751 | 3.756 | 0.375 | 481181 | 480 | S | 1.625 | 2.125 | 2.131 | 0.252 |
| ◆476208XX | 320 | S | 1.85 47 | 2.441 62 | 2.449 62.20 | 0.315 8 | 481181N | 480 | N | 1.625 | 2.125 | 2.131 | 0.252 |
| 476281 | 470 | S | 2.750 | 4.125 | 4.132 | 0.563 | 481195 | 480 | S | 1.937 | 2.502 | 2.506 | 0.375 |
| 476283N | 470 | N | 2.750 | 4.249 | 4.254 | 0.500 | 481213 | 480 | S | 1.190 | 1.687 | 1.693 | 0.252 |
| 476424N | 470 | N | 3.500 | 4.750 | 4.758 | 0.500 | 481224V | 480 | V | 1.000 | 1.499 | 1.503 | 0.250 |
| 476470 | 470 | S | 3.250 | 4.249 | 4.256 | 0.375 | 481397 | 480 | S | 0.656 | 1.575 | 1.579 | 0.250 |
| 476500N | 470 | N | 2.938 | 3.938 | 3.945 | 0.500 | 481443 | 480 | S | 0.781 | 1.375 | 1.381 | 0.252 |
| ◆476508XX | 320 | S | 1.85 47 | 2.559 65 | 2.567 65.20 | 0.315 8 | 481481 | 480 | S | 0.668 | 1.187 | 1.191 | 0.185 |
| 476512 | 470 | S | 1.969 | 4.331 | 4.336 | 0.374 | 481528 | 480 | S | 0.656 | 1.124 | 1.128 | 0.250 |
| 476514 | 470 | S | 2.556 | 3.937 | 3.942 | 0.375 | 481537 | 480 | S | 0.656 | 1.250 | 1.254 | 0.250 |
| 476517 | 470 | S | 3.934 | 5.905 | 5.911 | 0.500 | 481538 | 480 | S | 0.687 | 1.250 | 1.256 | 0.250 |
| 476518 | 470 | S | 4.331 | 6.693 | 6.700 | 0.500 | 481538V | 480 | V | 0.687 | 1.250 | 1.256 | 0.250 |
| 476535 | 470 | S | 2.125 | 3.149 | 3.154 | 0.375 | 481568 | 480 | S | 0.781 | 1.499 | 1.503 | 0.250 |
| 476574N | 470 | N | 2.750 | 3.937 | 3.942 | 0.500 | 481571V | 480 | V | 0.937 | 1.499 | 1.503 | 0.250 |
| ◆476810XX | 320 | S | 1.85 47 | 2.677 68 | 2.688 68.27 | 0.394 10 | 481644 | 480 | S | 0.781 | 1.624 | 1.628 | 0.250 |
| 476820 | 470 | S | 1.750 | 3.937 | 3.942 | 0.312 | 481650 | 480 | S | 1.031 | 1.624 | 1.628 | 0.250 |
| 476838 | 470 | S | 1.125 | 1.828 | 1.832 | 0.312 | 481652V | 480 | V | 1.125 | 1.624 | 1.628 | 0.250 |
| 476842 | 470 | S | 5.500 | 6.250 | 6.257 | 0.500 | 481792 | 480 | S | 1.125 | 2.125 | 2.129 | 0.250 |
| ◆477010XX | 320 | S | 1.85 47 | 2.756 70 | 2.764 70.20 | 0.394 10 | 481826 | 480 | S | 1.437 | 2.441 | 2.445 | 0.375 |
| 477055 | 470 | S | 3.330 | 4.125 | 4.130 | 0.562 | 481834 | 480 | S | 1.312 | 2.502 | 2.506 | 0.375 |
| 477069 | 470 | S | 2.598 | 4.000 | 4.005 | 0.500 | 481837 | 480 | S | 1.500 | 2.502 | 2.508 | 0.375 |
| 477163N | 470 | N | 3.000 | 4.501 | 4.506 | 0.468 | 481859 | 480 | S | 1.250 | 2.686 | 2.690 | 0.375 |
| 477872 | 470 | S | 2.750 | - | - | 0.315 | 481864 | 480 | S | 1.625 | 2.686 | 2.692 | 0.313 |
| 480055 | 480 | S | 1.375 | 2.374 | 2.380 | 0.500 | 481992 | 480 | S | 1.812 | 3.125 | 3.130 | 0.375 |
| 480067 | 480 | S | 1.500 | 2.502 | 2.506 | 0.437 | 482069N | 480 | N | 0.860 | 1.437 | 1.441 | 0.250 |
| 480210 | 480 | S | 1.055 | 1.499 | 1.500 | 0.268 | 482126 | 480 | S | 1.750 | 2.328 | 2.334 | 0.438 |
| 480281 | 480 | S | 1.812 | 2.758 | 2.762 | 0.500 | 482163 | 480 | S | 1.374 | 1.983 | 1.989 | 0.311 |
| 480303 | 480 | S | 2.125 | 3.000 | 3.006 | 0.500 | 482163N | 480 | N | 1.374 | 1.983 | 1.989 | 0.311 |
| 480356 | 480 | S | 1.250 | 1.687 | 1.693 | 0.313 | 482164N | 480 | N | 1.750 | 2.502 | 2.508 | 0.311 |
| 480479H | 480 | H | 1.687 | 2.437 | 2.441 | 0.468 | 482208 | 480 | S | 1.125 | 1.624 | 1.630 | 0.252 |
| 480491 | 480 | S | 2.750 | 3.481 | 3.486 | 0.500 | 482230N | 480 | N | 1.250 | 2.125 | 2.131 | 0.251 |
| 480519 | 480 | S | 2.500 | 3.251 | 3.256 | 0.500 | 482253 | 480 | S | 1.593 | 2.502 | 2.506 | 0.250 |
| 480570 | 480 | S | 1.375 | 2.000 | 2.006 | 0.311 | 482258V | 480 | V | 1.375 | 2.000 | 2.004 | 0.312 |
| 480574H | 480 | H | 2.375 | 3.252 | 3.256 | 0.500 | 482267 | 480 | S | 1.750 | 3.153 | 3.159 | 0.312 |
| 480581 | 480 | S | 1.594 | 2.125 | 2.129 | 0.250 | 482309 | 480 | S | 0.968 | 1.850 | 1.854 | 0.375 |
| 480625V | 480 | V | 1.500 | 2.250 | 2.524 | 0.312 | 482310 | 480 | S | 0.968 | 2.048 | 2.052 | 0.375 |
| 480630 | 480 | S | 1.500 | 2.062 | 2.066 | 0.250 | 482415 | 480 | S | 1.496 | 2.058 | 2.063 | 0.250 |
| 480821 | 480 | S | 0.750 | 1.312 | 1.316 | 0.250 | 482576N | 480 | N | 1.375 | 2.125 | 2.131 | 0.311 |
| 480844 | 480 | S | 1.500 | 2.222 | 2.226 | 0.312 | 483054N | 480 | N | 1.175 | 1.828 | 1.832 | 0.312 |
| 480889 | 480 | S | 0.812 | 1.312 | 1.316 | 0.250 | 483230V | 480 | V | 1.625 | 2.250 | 2.254 | 0.312 |
| 480954 | 480 | S | 0.750 | 1.250 | 1.256 | 0.250 | 483238V | 480 | V | 1.875 | 2.875 | 2.879 | 0.312 |
| 480954V | 480 | V | 0.750 | 1.250 | 1.256 | 0.250 | 483246N | 480 | N | 2.375 | 3.251 | 3.256 | 0.375 |
| 480988H | 480 | H | 2.375 | 3.061 | 3.066 | 0.500 | 483323V | 480 | V | 2.250 | 3.000 | 3.005 | 0.438 |
| 480991 | 480 | S | 1.500 | 2.062 | 2.066 | 0.375 | 483367V | 480 | V | 1.625 | 2.437 | 2.441 | 0.312 |
| 481073 | 480 | S | 0.656 | 1.376 | 1.382 | 0.250 | 483488→ | 480 | S | 1.175 | 1.771 | 1.775 | 0.275 |
| 481163 | 480 | S | 1.500 | 2.000 | 2.006 | 0.313 | 483793 | 480 | S | 1.343 | 2.441 | 2.445 | 0.375 |
| | | | | | | | 484054 | 480 | S | 1.326 | 2.061 | 2.065 | 0.375 |
| | | | | | | | 484058 | 480 | S | 1.322 | 2.227 | 2.231 | 0.375 |
| | | | | | | | 484064V | 480 | V | 2.062 | 2.561 | 2.565 | 0.313 |
| | | | | | | | 484156V | 480 | V | 1.375 | 1.874 | 1.879 | 0.250 |

| Part Number | Style | Matl | Shaft | Bore | O.D. | Width | Part Number | Style | Matl | Shaft | Bore | O.D. | Width |
|-------------|-------|------|-------------|----------------|----------------|-------------|-------------|-------|------|--------|--------|-------|-------|
| 484206 | 480 | S | 1.618 | 2.000 | 2.004 | 0.235 | ◆508008XX | 350 | S | 1.969 | 3.15 | 3.161 | 0.315 |
| 485027 | 480 | N | 3.500 | 4.999 | 5.004 | 0.468 | ◆508508XX | 320 | S | 1.969 | 3.346 | 3.354 | 0.315 |
| 485195H | 480 | H | 4.250 | 5.251 | 5.256 | 0.468 | ◆509008XX | 320 | S | 1.969 | 3.543 | 3.551 | 0.315 |
| 485364N | 480 | N | 2.750 | 3.500 | 3.505 | 0.500 | ◆509010XX | 350 | S | 1.969 | 3.543 | 3.554 | 0.394 |
| 485497 | 480 | S | 3.625 | 4.875 | 4.883 | 0.500 | | | | | | | |
| ◆486208XX | 350 | S | 1.89 48 | 2.441 62 | 2.445 62.10 | 0.315 8 | ◆516507XX | 470 | S | 2.008 | 2.559 | 2.563 | 0.276 |
| ◆486309XX | 470 | S | 1.89 48 | 2.48 63 | 2.484 63.09 | 0.354 9 | ◆526509XX | 350 | S | 2.047 | 2.559 | 2.571 | 0.354 |
| ◆486510XX | 320 | S | 1.89 48 | 2.559 65 | 2.571 65.30 | 0.394 10 | ◆526808XX | 350 | S | 2.047 | 2.677 | 2.688 | 0.315 |
| ◆486810XX | 320 | N | 1.89 48 | 2.677 68 | 2.688 68.27 | 0.394 10 | ◆526910XX | 350 | S | 2.047 | 2.717 | 2.728 | 0.394 |
| 486857 | 480 | S | 2.648 | 3.812 | 3.817 | 0.500 | ◆527008XX | 320 | S | 2.047 | 2.756 | 2.764 | 0.315 |
| ◆487008XX | 350 | S | 1.89 48 | 2.756 70 | 2.764 70.20 | 0.315 8 | | | | | | | |
| ◆487009XX | 350 | S | 1.89 48 | 2.756 70 | 2.767 70.28 | 0.354 9 | ◆527208XX | 350 | S | 2.047 | 2.835 | 2.843 | 0.315 |
| ◆487207XX | 320 | S | 1.89 48 | 2.835 72 | 2.847 72.31 | 0.276 7 | ◆527512XX | 350 | S | 2.047 | 2.953 | 2.964 | 0.472 |
| 487344V | 480 | V | 2.875 | 3.751 | 3.756 | 0.375 | ◆528010XX↔ | 320 | S | 2.047 | 3.15 | 3.161 | 0.394 |
| 487397V→ | 480 | V | 3.625 | 4.624 | 4.630 | 0.500 | ◆528208XX | 320 | S | 2.047 | 3.228 | 3.236 | 0.315 |
| ◆487510XX | 320 | S | 1.89 48 | 2.953 75 | 2.961 75.20 | 0.394 10 | ◆528507XX | 320 | S | 2.047 | 3.346 | 3.354 | 0.315 |
| 487945 | 480 | S | 2.000 | 3.623 | 3.628 | 0.375 | | | | | | | |
| ◆488008XX | 320 | S | 1.89 48 | 3.15 80 | 3.157 80.20 | 0.315 8 | ◆546508XX | 320 | S | 2.126 | 2.559 | 2.567 | 0.315 |
| ◆489010XX | 350 | S | 1.89 48 | 3.543 90 | 3.551 90.20 | 0.394 10 | ◆547210XX | 320 | S | 2.126 | 2.835 | 2.844 | 0.394 |
| 490936 | # | S | 1.875 | 2.567 | 2.561 | 0.312 | ◆547308XX | 320 | S | 2.126 | 2.874 | 2.882 | 0.315 |
| 492702 | 490 | S | 2.000 | 2.624 | 2.630 | 0.250 | ◆548210XX | 320 | S | 2.126 | 3.228 | 3.242 | 0.394 |
| 493291 | 490 | S | 2.281 | 3.154 | 3.161 | 0.375 | ◆548510XX | 320 | S | 2.126 | 3.346 | 3.357 | 0.394 |
| 493524 | 490 | S | 2.000 | 2.846 | 2.850 | 0.375 | | | | | | | |
| 493629 | 490 | S | 2.321 | 3.000 | 3.004 | 0.313 | ◆556808XX | 320 | S | 2.165 | 2.6767 | 2.688 | 0.315 |
| 493637 | 490 | S | 2.328 | 3.000 | 3.006 | 0.375 | ◆557008XX | 350 | S | 2.1665 | 2.756 | 2.767 | 0.315 |
| ◆494117 | 490 | S | 1.654 42 | 2.213 56.20 | 2.224 56.49 | 0.236 6 | ◆557208XX | 350 | S | 2.165 | 2.835 | 2.844 | 0.315 |
| ◆494122 | 490 | S | 1.772 45 | 2.441 62 | 2.447 62.15 | 0.236 6 | ◆557508XX | 350 | S | 2.165 | 2.953 | 2.961 | 0.315 |
| ◆494123 | 490 | S | 2.008 51 | 2.480 63 | 2.487 63.17 | 0.236 6 | ◆557510XX | 350 | S | 2.165 | 2.953 | 2.967 | 0.394 |
| ◆506207XX | 350 | S | 1.969 50 | 2.441 62 | 2.452 62.28 | 0.276 7 | | | | | | | |
| ◆506508XX | 320 | S | 1.969 50 | 2.559 65 | 2.57 65.28 | 0.315 8 | ◆557810XX | 350 | S | 2.165 | 3.071 | 3.082 | 0.394 |
| ◆506808XX | 350 | S | 1.969 50 | 2.677 68 | 2.688 68.28 | 0.315 8 | ◆558008XX | 350 | S | 2.165 | 3.15 | 3.161 | 0.315 |
| ◆507008XX | 320 | S | 1.969 50 | 2.756 70 | 2.764 70.20 | 0.315 8 | ◆558212XX | 350 | S | 2.165 | 3.228 | 3.24 | 0.472 |
| ◆507009XX | 320 | S | 1.969 50 | 2.756 70 | 2.764 70.20 | 0.354 9 | ◆558510XX | 350 | S | 2.165 | 3.346 | 3.359 | 0.394 |
| ◆507208XX | 350 | S | 1.969 50 | 2.835 72 | 2.846 72.28 | 0.315 8 | ◆558808XX↔ | 320 | S | 2.165 | 3.465 | 3.472 | 0.315 |
| ◆507507XX | 320 | S | 1.969 50 | 2.953 75 | 2.961 75.20 | 0.276 7 | | | | | | | |
| ◆507512XX | 320 | S | 1.969 50 | 2.953 75 | 2.964 75.28 | 0.472 12 | ◆559013XX | 350 | S | 2.165 | 3.543 | 3.554 | 0.512 |
| | | | | | | | | | | | | | |

| Part Number | Style | Matl | Shaft | Bore | O.D. | Width | Part Number | Style | Matl | Shaft | Bore | O.D. | Width |
|-------------|-------|------|-------------|-------------|----------------|-------------|-------------|-------|------|-------------|-------------|----------------|-------------|
| ◆566810XX | 480 | N | 2.205 56 | 2.677 68 | 2.682 68.12 | 0.394 10 | ◆638510XX | 320 | S | 2.48 63 | 3.346 85 | 3.357 85.28 | 0.394 10 |
| ◆567008XX | 350 | S | 2.205 56 | 2.756 70 | 2.764 70.20 | 0.315 8 | ◆639010XX | 320 | S | 2.48 63 | 3.543 90 | 3.549 90.14 | 0.394 10 |
| ◆567207XX | 320 | S | 2.205 56 | 2.835 72 | 2.843 72.20 | 0.276 7 | ◆648008XX | 320 | S | 2.52 64 | 3.15 80 | 3.161 80.28 | 0.315 8 |
| ◆567507XX | 320 | S | 2.205 56 | 2.953 75 | 2.961 75.20 | 0.276 7 | ◆658008XX | 320 | S | 2.559 65 | 3.15 80 | 3.161 80.28 | 0.315 8 |
| ◆568008XX | 320 | S | 2.205 56 | 3.15 80 | 3.161 80.28 | 0.315 8 | ◆658508XX | 350 | S | 2.559 65 | 3.346 85 | 3.354 85.20 | 0.315 8 |
| ◆568208XX | 320 | S | 2.205 56 | 3.228 82 | 3.236 82.20 | 0.315 8 | ◆658510XX | 350 | S | 2.559 65 | 3.346 85 | 3.357 85.27 | 0.394 10 |
| ◆568508XX | 350 | S | 2.205 56 | 3.346 85 | 3.357 85.28 | 0.315 8 | ◆658808XX | 350 | S | 2.559 65 | 3.465 88 | 3.472 88.20 | 0.315 8 |
| ◆568808XX | 320 | S | 2.205 56 | 3.465 88 | 3.472 88.20 | 0.315 8 | ◆658810XX | 320 | S | 2.559 65 | 3.465 88 | 3.472 88.20 | 0.394 10 |
| ◆569008XX | 320 | S | 2.205 56 | 3.543 90 | 3.551 90.20 | 0.315 8 | ◆659007XX | 320 | S | 2.559 65 | 3.543 90 | 3.551 90.20 | 0.276 7 |
| ◆578513XX | 320 | S | 2.244 57 | 3.346 85 | 3.354 85.20 | 0.512 13 | ◆659010XX | 350 | S | 2.559 65 | 3.543 90 | 3.554 90.28 | 0.394 10 |
| ◆587208XX | 350 | S | 2.283 58 | 2.835 72 | 2.846 72.28 | 0.315 8 | ◆659013XX | 350 | S | 2.559 65 | 3.543 90 | 3.551 90.20 | 0.512 13 |
| ◆587511XX | 350 | S | 2.283 58 | 2.953 75 | 2.964 75.28 | 0.433 11 | ◆688207XX | 350 | S | 2.677 68 | 3.228 82 | 3.236 82.20 | 0.276 7 |
| ◆588008XX | 350 | S | 2.283 58 | 3.15 80 | 3.161 80.28 | 0.315 8 | ◆688508XX | 350 | S | 2.677 68 | 3.346 85 | 3.354 85.20 | 0.315 8 |
| ◆588513XX | 320 | S | 2.283 58 | 3.346 85 | 3.356 85.25 | 0.512 13 | ◆689007XX | 320 | S | 2.677 68 | 3.543 90 | 3.551 90.20 | 0.276 7 |
| ◆588808XX | 320 | S | 2.283 58 | 3.465 88 | 3.472 88.20 | 0.315 8 | ◆689010XX | 350 | S | 2.677 68 | 3.543 90 | 3.556 90.32 | 0.394 10 |
| ◆589010XX | 350 | S | 2.283 58 | 3.543 90 | 3.554 90.28 | 0.394 10 | ◆689510XX | 350 | S | 2.677 68 | 3.74 95 | 3.748 95.20 | 0.394 10 |
| ◆607208XX | 350 | S | 2.362 60 | 2.835 72 | 2.846 72.28 | 0.315 8 | ◆708508XX | 350 | S | 2.756 70 | 3.346 85 | 3.357 85.28 | 0.315 8 |
| ◆607508XX | 350 | S | 2.362 60 | 2.953 75 | 2.964 75.28 | 0.315 8 | ◆708808XX | 480 | S | 2.756 70 | 3.465 88 | 3.474 88.25 | 0.315 8 |
| ◆608008XX | 350 | S | 2.362 60 | 3.15 80 | 3.157 80.20 | 0.315 8 | ◆708812XX | 320 | S | 2.756 70 | 3.465 88 | 3.474 88.25 | 0.472 12 |
| ◆608207XX | 320 | S | 2.362 60 | 3.228 82 | 3.236 82.20 | 0.276 7 | ◆709007XX | 320 | S | 2.756 70 | 3.543 90 | 3.551 90.20 | 0.276 7 |
| ◆608212XX | 350 | S | 2.362 60 | 3.228 82 | 3.24 82.30 | 0.472 12 | ◆709010XX | 350 | S | 2.756 70 | 3.543 90 | 3.556 90.32 | 0.394 10 |
| ◆608508XX | 350 | S | 2.362 60 | 3.346 85 | 3.357 85.28 | 0.315 8 | ◆709212XX | 320 | S | 2.756 70 | 3.622 92 | 3.63 92.20 | 0.472 12 |
| ◆608512XX | 320 | S | 2.362 60 | 3.346 85 | 3.354 85.20 | 0.472 12 | ◆709510XX | 350 | S | 2.756 70 | 3.74 95 | 3.751 95.28 | 0.394 10 |
| ◆609008XX | 320 | S | 2.362 60 | 3.543 90 | 3.553 90.25 | 0.315 8 | ◆709513XX | 350 | S | 2.756 70 | 3.74 95 | 3.751 95.28 | 0.512 13 |
| ◆609010XX | 350 | S | 2.362 60 | 3.543 90 | 3.554 90.27 | 0.394 10 | 710005 | 860 | S | 1.750 | 3.062 | 3.066 | 0.485 |
| ◆609508XX | 320 | S | 2.362 60 | 3.74 95 | 3.748 95.20 | 0.315 8 | 710006→ | 740 | N | 2.375 | 4.500 | 4.504 | 1.060 |
| ◆628009XX | 320 | S | 2.441 62 | 3.15 80 | 3.157 80.20 | 0.315 9 | 710007 | # | S | 2.000 | 3.370 | - | 1.020 |
| ◆628010XX | 350 | S | 2.441 62 | 3.15 80 | 3.161 80.28 | 0.394 10 | 710008 | 740 | N | 3.000 | 5.750 | 5.758 | 0.449 |
| ◆628508XX | 410 | S | 2.441 62 | 3.346 85 | 3.352 85.13 | 0.315 8 | 710009 | # | U | 3.000 | 4.000 | 4.004 | 0.656 |
| ◆629010XX | 350 | S | 2.441 62 | 3.543 90 | 3.554 90.28 | 0.394 10 | 710010 | # | U | 2.750 | 3.750 | 3.756 | 0.500 |
| | | | | | | | 710011 | # | U | 3.000 | 4.000 | 4.008 | 0.500 |
| | | | | | | | 710012 | # | U | 1.500 | 2.250 | 2.254 | 0.375 |
| | | | | | | | 710013 | # | U | 1.750 | 2.438 | 2.441 | 0.375 |
| | | | | | | | 710014 | # | U | 1.250 | 1.750 | 1.754 | 0.250 |

| Part Number | Style | Matl | Shaft | Bore | O.D. | Width | Part Number | Style | Matl | Shaft | Bore | O.D. | Width |
|-------------|-------|------|-------------|--------------|-----------------|----------------|-------------|-------|------|-------------|----------------|----------------|----------------|
| 710015 | # | U | 3.500 | 4.500 | 4.506 | 0.500 | ◆710072 | # | S | 2.244 57 | 3.110 79 | 3.120 79.25 | 0.539 13.70 |
| 710016 | # | U | 3.250 | 4.250 | 4.255 | 0.500 | ◆710073 | # | S | 2.126 54 | 2.972 75.50 | 2.983 75.78 | 0.709 18 |
| 710017 | # | U | 2.000 | 2.688 | 2.690 | 0.375 | ◆710074 | # | S | 2.244 57 | 3.110 79 | 3.120 79.25 | 0.539 13.70 |
| 710018 | # | U | 2.500 | 3.250 | 3.255 | 0.375 | 710075← | 320 | V | 2.832 | 3.622 | 3.633 | 0.374 |
| 710019 | # | U | 1.875 | 2.875 | 2.878 | 0.625 | 710076 | # | S | 1.350 | 1.620 | 1.625 | 0.355 |
| 710020 | # | U | 1.500 | 2.250 | 2.253 | 0.500 | 710077 | 320 | S | 3.375 | 3.948 | 3.955 | 0.375 |
| 710022 | 450 | H | 4.000 | 4.998 | 5.006 | 0.500 | ◆710078 | 470 | V | 1.772 45 | 2.441 62 | 2.447 62.15 | 0.315 8 |
| 710023 | # | U | 1.500 | 2.000 | 2.004 | 0.250 | 710080 | # | S | 3.125 | 4.450 | 4.456 | 0.880 |
| 710024 | # | U | 1.750 | 2.250 | 2.254 | 0.250 | 710081 | # | S | 1.937 | 3.930 | 3.935 | 0.320 |
| 710025 | # | U | 2.000 | 2.500 | 2.504 | 0.250 | 710084 | 470 | S | 4.724 | 5.512 | 5.520 | 0.413 |
| 710026 | # | U | 2.250 | 2.750 | 2.754 | 0.250 | 710086 | # | S | 2.205 | 4.803 | 4.813 | 0.315 |
| 710027 | # | U | 2.500 | 3.000 | 3.004 | 0.313 | 710087 | 450 | S | 2.953 | 4.409 | 4.416 | 0.394 |
| 710028 | # | U | 3.000 | 3.500 | 3.505 | 0.313 | 710088 | # | S | 3.330 | 5.045 | 5.050 | 0.800 |
| 710029 | # | U | 3.500 | 4.000 | 4.005 | 0.313 | 710089 | # | S | 4.646 | 6.811 | 6.843 | 1.102 |
| 710030 | # | U | 3.500 | 4.125 | 4.130 | 0.312 | 710090 | # | S | 3.040 | 6.412 | 6.418 | 0.658 |
| 710031 | # | U | 4.000 | 4.750 | 4.756 | 0.313 | 710091 | 2720 | S | 2.688 | 3.499 | 3.504 | 0.344 |
| 710032 | # | U | 5.000 | 5.750 | 5.756 | 0.313 | ◆710092 | 410 | S | 2.598 66 | 3.346 85 | 3.353 85.17 | 0.315 8 |
| 710034 | # | U | 2.500 | 3.000 | 3.015 | 0.375 | ◆710093 | # | S | 2.362 60 | 2.953 75 | 2.959 75.16 | 0.228 5.80 |
| 710035 | # | U | 3.750 | 4.375 | 4.381 | 0.313 | ◆710094 | 660 | S | 2.559 65 | 3.228 82 | 3.235 82.17 | 0.276 7 |
| 710036 | # | U | 4.000 | 4.625 | 4.631 | 0.313 | 710096 | 740 | N | 1.378 | 2.240 | 2.247 | 2.540 |
| 710037 | # | A | 4.750 | 5.375 | 5.381 | 0.313 | ◆710097 | # | S | 1.654 42 | 2.205 56 | 2.216 56.29 | 0.276 7 |
| 710038 | # | U | 2.750 | 3.250 | 3.255 | 0.313 | ◆710098 | 710 | S | 1.969 50 | 2.524 64.10 | 2.535 64.39 | 0.256 6.50 |
| 710039 | # | U | 2.735 | 3.415 | - | 0.340 | 710101↔ | # | S | 1.250 | 2.402 | 2.408 | 0.228 |
| 710040 | # | U | 2.000 | 2.500 | 2.501 | 0.375 | 710102 | # | S | 1.625 | 2.410 | 2.440 | 0.361 |
| 710041 | # | U | 2.375 | 2.875 | 2.879 | 0.375 | 710105↔ | # | S | 1.705 | 3.084 | 3.090 | 0.461 |
| 710042 | # | U | 2.485 | 3.165 | 2.488 | 0.188 | 710106 | # | S | 3.133 | 3.547 | 3.551 | 0.366 |
| 710043 | # | S | 1.301 | 2.620 | 2.625 | 0.315 | ◆710107 | # | S | 2.047 52 | 3.087 78.40 | 3.090 78.49 | 0.386 9.80 |
| 710044 | # | S | 1.500 | 1.875 | - | 0.188 | ◆710108 | 660 | S | 2.205 56 | 2.992 76 | 2.998 76.15 | 0.193 4.90 |
| 710045 | VS1 | S | 2.250 | - | 2.840 | 0.500 | ◆710109↔ | 400 | N | 1.339 34 | 2.480 63 | 2.491 63.27 | 0.354 9 |
| 710046→ | 860 | S | 1.552 | 2.447 | 2.452 | 0.500 | ◆710110↔ | 400 | N | 1.339 34 | 2.126 54 | 2.137 54.28 | 0.354 9 |
| ◆710051 | 860 | S | 1.378 35 | 1.890 48 | 1.895 48.13 | 0.512 13 | ◆710111← | # | N | 1.378 35 | 1.969 50 | 1.980 50.29 | 0.453 11.50 |
| 710053 | 480 | S | 1.047 | 1.811 | 1.815 | 0.285 | ◆710112↔ | # | N | 1.969 50 | 3.150 80 | 3.161 80.30 | 0.650 16.50 |
| ◆710056← | 470 | V | 3.583 91 | 4.370 111 | 4.381 111.28 | 0.394 10 | 710113 | # | S | 1.575 | 2.953 | 2.965 | 0.472 |
| ◆710057 | 480 | S | 1.417 36 | 2.559 65 | 2.567 65.20 | 0.315 8 | ◆710114→ | 980 | N | 1.614 41 | 2.323 59 | 2.334 59.28 | 0.394 10 |
| 710058 | 480 | S | 1.938 | 2.562 | 2.566 | 0.317 | ◆710115↔ | 980 | S | 1.732 44 | 3.150 80 | 3.161 80.29 | 0.343 8.70 |
| ◆710060← | 320 | H | 3.740 95 | 4.646 118 | 4.657 118.29 | 0.394 10 | ◆710116 | 320 | N | 0.551 14 | 0.984 25 | 0.993 25.22 | 0.276 7 |
| 710062 | # | S | 1.750 | 2.374 | 2.378 | 0.484 | ◆710117 | 400 | N | 1.969 50 | 3.386 86 | 3.398 86.30 | 0.512 13 |
| 710063 | # | N | 1.625 | 2.441 | 2.444 | 0.500 | | | | | | | |
| ◆710064 | # | S | 2.047 52 | 2.677 68 | 2.683 68.15 | 0.295 7.50 | | | | | | | |
| 710066 | 830 | S | 1.400 | 2.478 | 2.486 | 0.521 | | | | | | | |
| 710067↔ | 690 | S | 1.705 | 3.034 | 3.040 | 0.500 | | | | | | | |
| 710068 | # | S | 1.192 | 2.122 | 2.128 | 0.350 | | | | | | | |
| ◆710069 | # | S | 2.205 56 | 2.835 72 | 2.841 72.16 | 0.429 10.90 | | | | | | | |
| ◆710070 | 470 | S | 1.299 33 | 1.732 44 | 1.738 44.15 | 0.315 8 | | | | | | | |

| Part Number | Style | Matl | Shaft | Bore | O.D. | Width | Part Number | Style | Matl | Shaft | Bore | O.D. | Width |
|-------------|-------|------|-------------|----------------|-----------------|----------------|-------------|-------|------|-------------|----------------|-----------------|---------------|
| ◆710118 | 400 | S | 1.535 39 | 2.323 59 | 2.334 59.28 | 0.669 17 | ◆710154 | 320 | S | 0.748 19 | 1.496 38 | 1.505 38.23 | 0.276 7 |
| 710119 | 320 | N | 1.102 | 1.693 | 1.702 | 0.315 | | | | | | | |
| 710120 | # | N | 1.535 | 1.969 | 1.980 | 0.433 | ◆710156 | 320 | S | 0.709 18 | 1.260 32 | 1.269 32.23 | 0.276 7 |
| ◆710121 | # | N | 2.323 59 | 3.937 100 | 3.948 100.28 | 0.394 10 | ◆710157→ | 320 | S | 1.063 27 | 1.693 43 | 1.702 43.23 | 0.276 7 |
| ◆710122 | 400 | N | 1.535 39 | 2.244 57 | 2.255 57.28 | 0.610 15.50 | ◆710159 | # | S | 1.693 43 | 2.302 58.47 | 2.308 58.62 | 0.295 7.50 |
| ◆710123 | 400 | N | 1.535 39 | 2.244 57 | 2.255 57.28 | 0.433 11 | 710160 | # | S | 1.772 | 2.598 | 2.608 | 0.295 |
| ◆710124 | 400 | N | 1.299 33 | 2.323 59 | 2.334 59.28 | 0.433 11 | ◆710161 | 2810 | S | 1.811 46 | 2.697 68.50 | 2.702 68.63 | 0.295 7.50 |
| ◆710125 | # | S | 2.205 56 | 2.921 74.20 | 2.928 74.37 | 0.256 6.50 | ◆710162 | 480 | V | 1.260 32 | 1.969 50 | 1.974 50.14 | 0.315 8 |
| ◆710126 | # | S | 1.811 46 | 0.108 2.73 | 2.732 69.40 | 0.433 11 | 710163 | # | S | 1.875 | - | 2.650 | 0.350 |
| ◆710127 | # | S | 2.165 55 | 2.677 68 | 2.683 68.15 | 0.256 6.50 | ◆710164 | 480 | V | 1.260 32 | 1.969 50 | 1.974 50.14 | 0.315 8 |
| 710128 | # | S | 1.811 | 2.732 | 2.740 | 0.394 | 710166↔ | 740 | S | 1.399 | 2.292 | 2.298 | 0.500 |
| ◆710129 | # | S | 2.244 57 | 3.031 77 | 3.039 77.20 | 0.315 8 | ◆710167 | # | S | 1.890 48 | 2.520 64 | 2.528 64.20 | 0.394 10 |
| ◆710130 | # | S | 2.520 64 | 3.031 77 | 3.039 77.20 | 0.315 8 | ◆710168 | 470 | S | 2.323 59 | 2.953 75 | 2.957 75.11 | 0.394 10 |
| ◆710131 | # | S | 1.575 40 | 2.441 62 | 2.449 62.20 | 0.354 9 | 710171 | # | N | 2.200 | 2.804 | - | 0.300 |
| ◆710132 | 400 | N | 1.299 33 | 2.205 56 | 2.216 56.29 | 0.512 13 | 710172 | 350 | V | 1.220 | 1.654 | 1.661 | 0.315 |
| ◆710133 | # | N | 1.654 42 | 3.543 90 | 3.554 90.27 | 0.374 9.50 | ◆710173 | # | N | 1.969 50 | 2.756 70 | 2.764 70.20 | 0.394 10 |
| ◆710135 | # | S | 1.969 50 | 2.756 70 | 2.764 70.20 | 0.551 14 | 710174 | 470 | S | 2.748 | 3.881 | 3.885 | 0.464 |
| 710136 | # | S | 2.283 | 2.953 | 2.961 | 0.276 | ◆710175 | 320 | S | 2.087 53 | 0.106 2.69 | 2.685 68.20 | 0.276 7 |
| 710137 | # | S | 1.969 | 2.913 | 2.921 | 0.354 | ◆710176 | 870 | S | 2.205 56 | 2.913 74 | 2.920 74.17 | 0.335 8.50 |
| 710138 | 400 | S | 1.378 | 2.480 | 2.488 | 0.354 | ◆710178 | # | S | 1.378 35 | 1.929 49 | 1.941 49.30 | 0.315 8 |
| ◆710139 | # | N | 1.496 38 | 2.283 58 | 2.294 58.27 | 0.394 10 | 710179→ | 320 | S | 1.654 | 2.551 | 2.555 | 0.531 |
| 710140 | 320 | S | 1.594 | 2.283 | 2.293 | 0.315 | 710180 | 470 | V | 3.250 | 3.879 | 3.881 | 0.375 |
| 710141 | # | N | 1.614 | 2.402 | 2.409 | 0.394 | ◆710182 | 660 | S | 2.362 60 | 3.386 86 | 3.393 86.18 | 0.276 7 |
| ◆710142 | # | S | 1.693 43 | 2.756 70 | 2.762 70.16 | 0.354 9 | 710183 | 660 | S | 2.240 | 2.992 | 2.998 | 0.255 |
| ◆710143 | # | S | 1.850 47 | 3.307 84 | 3.318 84.28 | 0.374 9.50 | 710186 | # | S | 1.654 | 2.216 | 2.222 | 0.315 |
| ◆710144← | # | S | 2.283 58 | 3.071 78 | 3.082 78.28 | 0.394 10 | ◆710187→ | 320 | N | 2.047 52 | 2.756 70 | 2.767 70.28 | 0.335 8.50 |
| ◆710147 | # | S | 1.575 40 | 2.362 60 | 2.368 60.15 | 0.315 8 | ◆710188← | 320 | V | 3.465 88 | 4.173 106 | 4.184 106.27 | 0.335 8.50 |
| ◆710148 | 970 | S | 1.929 49 | 2.843 72.20 | 2.854 72.49 | 0.236 6 | ◆710189← | 470 | V | 3.504 89 | 4.134 105 | 4.145 105.28 | 0.394 10 |
| ◆710149 | # | S | 1.457 37 | 2.047 52 | 2.053 52.15 | 0.236 6 | ◆710190 | 480 | V | 2.047 52 | 2.677 68 | 2.683 68.15 | 0.315 8 |
| ◆710150 | # | S | 1.850 47 | 3.150 80 | 3.156 80.16 | 0.500 12.70 | 710191 | 250 | S | 1.850 | 2.520 | 2.523 | 0.276 |
| ◆710151 | 470 | S | 1.339 34 | 2.559 65 | 2.563 65.10 | 0.472 12 | ◆710192 | 320 | S | 1.969 50 | 2.362 60 | 2.373 60.27 | 0.236 6 |
| ◆710152 | # | S | 1.417 36 | 2.520 64 | 2.526 64.16 | 0.433 11 | ◆710193 | 320 | S | 1.772 45 | 2.323 59 | 2.334 59.28 | 0.315 8 |
| 710153 | # | S | 1.024 | 1.732 | 1.740 | 0.315 | ◆710194 | 320 | S | 1.969 50 | 2.677 68 | 2.681 68.10 | 0.256 6.50 |
| | | | | | | | 710195 | 400 | S | 1.654 | 2.992 | 3.003 | 0.472 |
| | | | | | | | 710196 | 320 | V | 1.575 | 2.441 | 2.452 | 0.394 |
| | | | | | | | 710197 | 400 | N | 1.417 | 2.126 | 2.137 | 0.276 |

| Part Number | Style | Matl | Shaft | Bore | O.D. | Width | Part Number | Style | Matl | Shaft | Bore | O.D. | Width |
|-------------|-------|------|-------------|----------------|-----------------|----------------|-------------|-------|------|--------------|----------------|-----------------|----------------|
| 710198 | # | S | 1.565 | 2.372 | 2.383 | 0.394 | ◆710240 | # | S | 2.953 75 | 3.268 83 | 3.425 87.00 | 0.157 4 |
| ◆710199↔ | # | N | 1.378 35 | 2.126 54 | 2.132 54.15 | 0.354 9 | 710241 | 680 | S | 1.627 | 2.277 | 2.283 | 0.342 |
| ◆710201 | 470 | S | 1.378 35 | 2.362 60 | 2.368 60.15 | 0.472 12 | ◆710242→ | 320 | N | 2.047 52 | 2.835 72 | 2.846 72.29 | 0.315 8 |
| 710202 | 680 | S | 1.627 | 2.125 | 2.131 | 0.342 | 710243 | 250 | S | 0.630 | 1.024 | 1.028 | 0.276 |
| 710204 | 480 | S | 1.625 | 2.282 | 2.286 | 0.313 | 710244 | # | S | 1.654 | 2.224 | 2.232 | 0.315 |
| 710205 | 320 | V | 3.780 | 4.606 | 4.617 | 0.472 | ◆710245→ | # | N | 1.654 42 | 2.992 76 | 2.998 76.15 | 0.472 12 |
| 710207 | 400 | S | 1.654 | 2.835 | 2.846 | 0.394 | ◆710246 | # | N | 1.654 42 | 3.543 90 | 3.554 90.27 | 0.469 11.90 |
| ◆710208 | # | S | 1.693 43 | 3.622 92 | 3.633 92.28 | 0.492 12.50 | 710247← | # | N | 1.504 | 1.937 | 1.950 | 0.475 |
| 710209 | # | N | 1.496 | 2.441 | 2.450 | 0.512 | ◆710248→ | 660 | N | 1.772 45 | 3.071 78 | 3.077 78.16 | 0.433 11 |
| 710210 | 740 | V | 2.375 | 3.251 | 3.256 | 0.625 | ◆710249 | 970 | S | 0.787 20 | 1.024 26 | 1.033 26.24 | 0.157 4 |
| 710211→ | 740 | N | 1.875 | 2.677 | 2.683 | 0.374 | ◆710251 | 470 | N | 0.669 17 | 1.339 34 | 1.344 34.14 | 0.311 7.90 |
| ◆710213 | 2810 | S | 2.441 62 | 3.071 78 | 3.077 78.16 | 0.374 9.50 | ◆710252 | 320 | S | 1.417 36 | 1.732 44 | 1.741 44.22 | 0.197 5 |
| 710214 | 400 | N | 1.535 | 2.323 | 2.334 | 0.433 | ◆710253 | # | S | 2.047 52 | 2.441 62 | 2.452 62.28 | 0.217 5.50 |
| ◆710215 | 660 | S | 1.850 47 | 2.598 66 | 2.602 66.10 | 0.236 6 | ◆710254 | 340 | S | 0.906 23 | 1.252 31.80 | 1.261 32.03 | 0.217 5.50 |
| 710216 | 350 | S | 1.102 | 1.673 | 1.682 | 0.315 | ◆710255 | # | S | 1.890 48 | 2.756 70 | 2.764 70.20 | 0.354 9 |
| ◆710217 | # | S | 1.378 35 | 2.126 54 | 2.132 54.15 | 0.315 8 | 710256 | # | S | 2.520 | 2.992 | 3.000 | 0.276 |
| ◆710218 | # | V | 1.378 35 | 2.205 56 | 2.216 56.29 | 0.394 10 | ◆710258← | 320 | V | 4.528 115 | 5.315 135 | 5.329 135.36 | 0.394 10 |
| 710219← | 320 | N | 3.543 | 4.252 | 4.261 | 0.394 | ◆710259↔ | 320 | V | 1.457 37 | 2.205 56 | 2.216 56.29 | 0.354 9 |
| ◆710220→ | 320 | N | 1.614 41 | 2.441 62 | 2.450 62.23 | 0.354 9 | ◆710260← | 320 | S | 1.772 45 | 2.402 61 | 2.413 61.29 | 0.315 8 |
| 710221 | # | N | 1.654 | 2.205 | 2.209 | 0.551 | 710262 | 320 | V | 3.780 | 4.567 | 4.577 | 0.354 |
| 710222 | 980 | S | 0.709 | 1.024 | 1.028 | 0.157 | 710263 | 320 | V | 2.000 | 2.623 | 2.627 | 0.256 |
| 710223 | # | S | 1.732 | 2.598 | 2.602 | 0.236 | ◆710264→ | 320 | Y | 1.693 43 | 2.165 55 | 2.176 55.27 | 0.236 6 |
| 710224 | 490 | S | 1.496 | 2.441 | 2.445 | 0.236 | ◆710266 | # | S | 3.661 93 | 6.063 154 | 6.071 154.20 | 0.315 8 |
| 710225 | # | S | 2.244 | 3.150 | 3.154 | 0.315 | 710267 | 320 | S | 1.181 | 2.126 | 2.134 | 0.354 |
| ◆710226 | 320 | S | 1.969 50 | 0.101 65.30 | 2.638 67.00 | 0.217 5.50 | 710268 | 400 | N | 2.283 | 4.055 | 4.063 | 0.433 |
| ◆710228 | 400 | S | 1.457 37 | 2.441 62 | 2.450 62.23 | 0.394 10 | 710270 | 320 | N | 1.772 | 2.835 | 2.843 | 0.472 |
| 710229 | 400 | S | 2.323 | 3.083 | 3.093 | 0.315 | ◆710271← | 320 | S | 2.283 58 | 2.913 74 | 2.924 74.27 | 0.394 10 |
| ◆710230 | # | S | 2.283 58 | 2.992 76 | 3.001 76.23 | 0.307 7.80 | 710272 | 320 | N | 0.736 | 1.378 | 1.386 | 0.276 |
| 710231 | 320 | S | 2.323 | 3.083 | 3.093 | 0.315 | ◆710273 | 350 | S | 0.748 19 | 1.378 35 | 1.387 35.23 | 0.394 10 |
| ◆710232 | 320 | V | 3.386 86 | 4.094 104 | 4.109 104.37 | 0.433 11 | 710274 | 680 | V | 0.610 | 1.102 | 1.108 | 0.598 |
| 710233→ | 320 | N | 1.516 | 2.087 | 2.096 | 0.315 | 710275 | 400 | N | 2.677 | 4.882 | 4.886 | 0.472 |
| ◆710234← | 320 | N | 2.677 68 | 3.307 84 | 3.318 84.28 | 0.335 8.50 | ◆710276 | 400 | N | 2.362 60 | 4.055 103 | 4.062 103.18 | 0.472 12 |
| ◆710235← | 320 | V | 3.386 86 | 4.055 103 | 4.066 103.28 | 0.394 10 | 710277 | # | N | 2.520 | 5.197 | 5.201 | 0.512 |
| ◆710236→ | 320 | N | 1.299 33 | 1.929 49 | 1.938 49.23 | 0.315 8 | 710278 | # | N | 3.937 | 5.709 | 5.713 | 1.024 |
| ◆710237← | 320 | V | 3.543 90 | 4.094 104 | 4.105 104.27 | 0.433 11 | 710281 | 740 | S | 1.940 | 2.900 | 2.910 | 0.400 |
| ◆710238→ | 320 | S | 1.811 46 | 2.756 70 | 2.760 70.10 | 0.315 8 | ◆710282 | 320 | S | 1.260 32 | 1.654 42 | 1.661 42.20 | 0.315 8 |
| ◆710239 | 400 | N | 2.126 54 | 2.717 69 | 2.726 69.23 | 0.295 7.50 | 710283 | # | N | 1.732 | 3.543 | 3.547 | 0.354 |

| Part Number | Style | Matl | Shaft | Bore | O.D. | Width | Part Number | Style | Matl | Shaft | Bore | O.D. | Width |
|-------------|-------|------|----------------|----------------|-----------------|----------------|-------------|-------|------|-------------|----------------|-----------------|---------------|
| ◆710284 | # | N | 1.575 40 | 2.874 73 | 2.878 73.10 | 0.492 12.50 | 710318 | 320 | N | 1.516 | 2.283 | 2.291 | 0.335 |
| 710285 | # | S | 1.125 | 1.630 | 1.634 | 0.313 | ◆710320 | 480 | S | 1.890 48 | 2.441 62 | 2.445 62.10 | 0.354 9 |
| ◆710286 | 320 | N | 1.654 42 | 2.638 67 | 2.646 67.20 | 0.394 10 | 710321 | 470 | S | 1.772 | 2.441 | 2.445 | 0.354 |
| 710287 | 320 | N | 1.575 | 2.126 | 2.134 | 0.394 | ◆710322 | 340 | S | 1.890 48 | 2.441 62 | 2.452 62.28 | 0.236 6 |
| ◆710288← | 320 | S | 3.661 93 | 4.488 114 | 4.500 114.30 | 0.512 13 | ◆710323 | 490 | S | 2.008 51 | 2.480 63 | 2.487 63.17 | 0.236 6 |
| ◆710289→ | 320 | S | 1.772 45 | 2.638 67 | 2.644 67.16 | 0.315 8 | ◆710324← | 320 | S | 1.378 35 | 1.969 50 | 1.978 50.24 | 0.433 11 |
| 710290 | 320 | V | 3.937 | 4.882 | 4.890 | 0.512 | ◆710325→ | 320 | S | 1.102 28 | 1.575 40 | 1.584 40.23 | 0.315 8 |
| ◆710291← | 400 | N | 1.614 41 | 2.480 63 | 2.488 63.20 | 0.354 9 | ◆710326 | 660 | S | 1.575 40 | 2.520 64 | 2.526 64.16 | 0.472 12 |
| ◆710292 | # | S | 2.047 52 | 2.677 68 | 2.683 68.15 | 0.256 6.50 | ◆710327→ | 320 | S | 1.260 32 | 1.890 48 | 1.899 48.24 | 0.276 7 |
| 710293 | # | S | 3.209 | 3.535 | - | 0.091 | ◆710328 | 350 | S | 1.299 33 | 1.969 50 | 1.978 50.24 | 0.276 7 |
| 710294 | 470 | S | 3.307 | 3.937 | 3.941 | 0.394 | ◆710329← | 320 | H | 1.378 35 | 1.969 50 | 1.980 50.29 | 0.315 8 |
| 710295 | 470 | S | 4.173 | 4.843 | 4.846 | 0.433 | 710330 | # | N | 3.346 | 4.449 | 4.457 | 0.413 |
| 710296 | # | S | 1.890 | 4.272 | 4.280 | 0.512 | ◆710331← | 320 | V | 1.378 35 | 2.126 54 | 2.134 54.20 | 0.315 8 |
| ◆710297 | 340 | S | 0.709 18 | 0.906 23 | 0.915 23.24 | 0.157 4 | ◆710332← | 320 | N | 1.220 31 | 1.811 46 | 1.820 46.23 | 0.315 8 |
| ◆710298→ | 400 | N | 1.654 42 | 2.480 63 | 2.491 63.27 | 0.354 9 | 710333 | 320 | S | 2.362 | 3.150 | 3.157 | 0.315 |
| ◆710299 | 660 | N | 0.689 18 | 1.083 27.50 | 1.092 27.74 | 0.276 7 | ◆710334← | 320 | N | 2.677 68 | 3.386 86 | 3.397 86.28 | 0.315 8 |
| ◆710300 | # | S | 1.575 40 | 2.185 55.50 | 2.191 55.65 | 0.354 9 | ◆710335 | 320 | S | 1.378 35 | 2.559 65 | 2.570 65.28 | 0.472 12 |
| 710301 | 970 | S | 1.654 1.654 | 2.441 - | 2.449 42.29 | 0.276 8.00 | ◆710336← | 400 | N | 1.378 35 | 2.677 68 | 2.685 68.20 | 0.354 9 |
| 710303 | 350 | S | 1.004 | 1.516 | 1.525 | 0.335 | ◆710337 | 340 | S | 1.850 47 | 2.843 72.20 | 2.854 72.49 | 0.236 6 |
| 710304 | # | S | 1.479 | 2.563 | 2.567 | 0.470 | ◆710338 | 660 | S | 1.535 39 | 2.047 52 | 2.053 52.15 | 0.248 6.30 |
| ◆710305 | 320 | S | 1.929 49 | 2.756 70 | 2.767 70.28 | 0.433 11 | ◆710339 | 250 | S | 2.756 70 | 4.409 112 | 4.416 112.17 | 0.551 14 |
| ◆710305S | 320 | S | 1.929 49 | 2.756 70 | 2.767 70.28 | 0.433 11 | 710340 | 440 | V | 1.189 | 1.654 | 1.657 | 0.236 |
| 710306 | 320 | S | 1.260 | 2.047 | 2.055 | 0.394 | ◆710341← | 320 | S | 1.417 36 | 1.969 50 | 1.980 50.29 | 0.315 8 |
| 710307 | 320 | N | 0.984 | 1.575 | 1.583 | 0.276 | ◆710342→ | 320 | S | 0.787 20 | 1.850 47 | 1.859 47.22 | 0.335 8.50 |
| ◆710308→ | 320 | S | 1.575 40 | 2.047 52 | 2.058 52.27 | 0.236 6 | ◆710343 | 330 | S | 1.417 36 | 1.811 46 | 1.817 46.15 | 0.354 9 |
| ◆710309 | # | S | 1.496 38 | 2.047 52 | 2.053 52.15 | 0.248 6.30 | ◆710344 | 320 | S | 0.685 17 | 1.181 30 | 1.190 30.23 | 0.276 7 |
| ◆710310→ | 320 | N | 1.260 32 | 1.850 47 | 1.859 47.22 | 0.236 6 | ◆710345 | 320 | S | 1.772 45 | 2.677 68 | 2.685 68.20 | 0.472 12 |
| ◆710311 | 250 | S | 1.575 40 | 2.126 54 | 2.132 54.15 | 0.236 6 | ◆710346 | 490 | S | 0.591 15 | 0.787 20 | 0.791 20.10 | 0.197 5 |
| ◆710312 | 320 | S | 2.047 52 | 2.677 68 | 2.685 68.20 | 0.512 13 | ◆710347← | 320 | S | 1.102 28 | 1.496 38 | 1.505 38.23 | 0.394 10 |
| ◆710313→ | 320 | S | 1.890 48 | 2.756 70 | 2.767 70.28 | 0.472 12 | ◆710348 | 320 | S | 0.512 13 | 0.866 22 | 0.874 22.20 | 0.236 6 |
| ◆710314← | 400 | N | 1.378 35 | 2.205 56 | 2.216 56.29 | 0.315 8 | 710349 | # | V | 4.134 | 5.315 | 5.323 | 0.571 |
| ◆710315→ | 400 | S | 1.378 35 | 2.205 56 | 2.216 56.29 | 0.315 8 | 710350 | # | V | 2.362 | 3.228 | 3.236 | 0.472 |
| ◆710316→ | 320 | S | 0.984 25 | 1.575 40 | 1.584 40.23 | 0.315 8 | | | | | | | |
| ◆710317← | 320 | S | 1.260 32 | 1.890 48 | 1.899 48.24 | 0.394 10 | | | | | | | |

| Part Number | Style | Matl | Shaft | Bore | O.D. | Width | Part Number | Style | Matl | Shaft | Bore | O.D. | Width |
|-------------|-------|------|--------------|----------------|------------------|----------------|-------------|----------|------|--------------|--------------|-----------------|---------------|
| ◆710351← | 320 | H | 3.937 100 | 5.315 135 | 5.329 135.36 | 0.394 10 | ◆710383 | 470 | S | 1.378 35 | 1.732 44 | 1.738 44.15 | 0.276 7 |
| ◆710352 | 470 | V | 3.740 95 | 4.449 113 | 4.453 113.10 | 0.394 10 | ◆710384 | 250 | S | 2.953 75 | 3.937 100 | 3.944 100.18 | 0.512 13 |
| ◆710353→ | 660 | S | 1.457 37 | 2.283 58 | 2.287 58.10 | 0.394 10 | 710385 | # | S | 1.675 | 2.000 | 2.175 | 0.200 |
| ◆710354→ | 320 | N | 1.969 50 | 2.559 65 | 2.570 65.28 | 0.315 8 | 710386→ | 320 | H | 1.650 | 2.205 | 2.216 | 0.276 |
| ◆710355→ | 320 | N | 1.457 37 | 1.988 50.50 | 1.996 50.70 | 0.236 6 | 710387 | 470 | S | 1.693 | 2.531 | 2.565 | 0.374 |
| ◆710356→ | 470 | S | 1.890 48 | 2.362 60 | 2.368 60.15 | 0.354 9 | 710388↔ | 320 | S | 1.875 | 2.716 | 2.727 | 0.394 |
| ◆710357 | 470 | S | 1.969 50 | 2.638 67 | 2.646 67.20 | 0.354 9 | 710389 | 70S | S | 1.750 | 2.500 | 2.503 | 0.484 |
| 710358 | 450 | N | 1.625 | 2.374 | 2.380 | 0.311 | ◆710390→ | 320 | N | 2.362 60 | 3.228 82 | 3.236 82.20 | 0.472 12 |
| 710358N | 480 | S | 1.625 | 2.374 | 2.380 | 0.311 | 710391← | 940 | H | 3.937 | 5.315 | 5.323 | 0.591 |
| ◆710359 | # | S | 1.181 30 | 1.772 45 | 1.780 45.20 | 0.315 8 | 710393 | # | S | 2.205 | 2.835 | 2.843 | 0.315 |
| ◆710360 | 350 | S | 1.378 35 | 2.835 72 | 2.846 72.29 | 0.394 10 | 710394 | # | S | 1.811 | 2.441 | 2.449 | 0.807 |
| 710361 | 440 | S | 0.669 | 0.819 | 0.823 | 0.122 | 710395 | Unitized | S | 2.750 | 3.779 | 3.784 | 0.762 |
| ◆710362 | 490 | S | 0.669 17 | 0.984 25 | 0.990 25.15 | 0.197 5 | ◆710396↔ | 400 | S | 1.378 35 | 2.205 56 | 2.213 56.20 | 0.354 9 |
| 710363← | # | V | 3.307 | 4.646 | 4.650 | 0.276 | 710397 | # | N | 1.831 | 3.543 | 3.551 | 0.472 |
| ◆710364↔ | # | N | 1.772 45 | 3.858 98 | 3.865 98.17 | 0.413 10.50 | ◆710398 | # | S | 1.969 50 | 2.835 72 | 2.843 72.20 | 0.394 10 |
| 710365 | # | S | 2.000 | 2.720 | - | 0.210 | 710399→ | 320 | S | 1.024 | 1.654 | 1.661 | 0.315 |
| ◆710366← | 320 | H | 4.173 106 | 4.961 126 | 4.975 126.37 | 0.472 12 | ◆710400 | 470 | S | 2.283 58 | 2.953 75 | 2.959 75.16 | 0.354 9 |
| ◆710367→ | 400 | S | 2.559 65 | 3.465 88 | 3.472 88.20 | 0.472 12 | 710401 | # | S | 1.181 | 1.457 | 1.461 | 0.138 |
| ◆710368 | 470 | S | 5.433 138 | 5.984 152 | 5.992 152.20 | 0.472 12 | 710402 | # | S | 1.614 | 2.677 | 2.685 | 0.512 |
| ◆710369 | 470 | S | 5.709 145 | 6.457 164 | 10.398 264.10 | 0.551 14 | ◆710403 | # | S | 1.654 42 | 2.441 62 | 2.445 62.10 | 0.472 12 |
| ◆710370 | 320 | S | 1.260 32 | 1.693 43 | 1.702 43.23 | 0.276 7 | 710405 | 470 | S | 4.882 | 5.748 | 5.752 | 0.551 |
| ◆710371 | 250 | S | 3.976 101 | 4.488 114 | 4.492 114.10 | 0.394 10 | ◆710406 | 470 | S | 5.512 140 | 6.693 170 | 6.701 170.21 | 0.551 14 |
| ◆710372 | # | S | 4.528 115 | 6.142 156 | 6.146 156.10 | 0.610 15.50 | ◆710407 | 330 | S | 2.008 51 | 2.441 62 | 2.446 62.13 | 0.276 7 |
| ◆710373 | 470 | S | 2.559 65 | 3.346 85 | 3.353 85.17 | 0.394 10 | ◆710408 | 320 | N | 1.654 42 | 2.441 62 | 2.452 62.28 | 0.276 7 |
| ◆710374 | # | S | 1.929 49 | 3.937 100 | 3.945 100.20 | 0.315 8 | 710409 | # | S | 1.813 | 2.408 | - | 0.300 |
| ◆710375 | # | S | 2.992 76 | 4.016 102 | 4.024 102.20 | 0.374 9.50 | ◆710410 | 470 | S | 3.937 100 | 4.488 114 | 4.496 114.20 | 0.472 12 |
| 710376 | # | S | 2.953 | 4.409 | 4.413 | 0.394 | 710411 | 470 | S | 5.039 | 5.748 | 5.752 | 0.394 |
| 710377 | # | S | 1.811 | 3.720 | 3.728 | 0.315 | ◆710412 | 320 | S | 0.709 18 | 1.339 34 | 1.348 34.24 | 0.276 7 |
| 710378 | 350 | S | 2.677 | 3.228 | 3.236 | 0.276 | 710413 | # | N | 2.172 | 3.125 | 3.130 | 0.675 |
| ◆710379 | 470 | S | 2.362 60 | 2.835 72 | 2.841 72.16 | 0.295 7.50 | 710414 | # | T | 1.500 | 2.500 | 2.500 | 0.375 |
| ◆710380 | 470 | S | 5.118 130 | 5.906 150 | 5.914 150.22 | 0.394 10 | ◆710415→ | 320 | S | 1.260 32 | 1.969 50 | 1.978 50.24 | 0.315 8 |
| ◆710381 | # | S | 4.882 124 | 6.693 170 | - | 0.571 14.50 | ◆710416 | 350 | S | 1.339 34 | 1.890 48 | 1.899 48.24 | 0.295 7.50 |
| ◆710382 | # | S | 2.205 56 | 2.598 66 | 2.606 66.20 | 0.669 17 | ◆710418 | 320 | N | 1.339 34 | 2.087 53 | 2.098 53.29 | 0.315 8 |
| | | | | | | | 710419 | # | S | 1.378 | 2.480 | 2.491 | 0.394 |
| | | | | | | | ◆710420→ | 320 | S | 1.969 50 | 2.677 68 | 2.688 68.28 | 0.354 9 |
| | | | | | | | ◆710422 | 350 | S | 1.339 34 | 2.441 62 | 2.452 62.28 | 0.394 10 |
| | | | | | | | ◆710424 | 350 | S | 1.378 35 | 2.362 60 | 2.373 60.27 | 0.315 8 |
| | | | | | | | 710425 | 2300 | S | 5.428 | 6.500 | 6.505 | 0.420 |

| Part Number | Style | Matl | Shaft | Bore | O.D. | Width |
|------------------|-------|------|-------------|-------------|----------------|---------------|
| 710426 | # | S | 1.465 | 2.372 | 2.374 | 0.433 |
| 710428 | 870 | V | 1.750 | 2.621 | 2.625 | 0.937 |
| 710429 | 870 | V | 1.380 | 2.288 | 2.291 | 0.750 |
| <hr/> | | | | | | |
| 710430 | # | S | 2.325 | 3.125 | 3.130 | 0.313 |
| 710431 | # | S | 1.693 | 2.480 | 2.488 | 0.394 |
| 710432 | 320 | S | 1.575 | 2.244 | 2.252 | 0.394 |
| 710433 | # | S | 1.102 | 2.087 | 2.091 | 0.378 |
| 710435 | 320 | S | 1.496 | 2.559 | 2.567 | 0.315 |
| <hr/> | | | | | | |
| 710436 | 350 | N | 1.594 | 2.067 | 2.075 | 0.236 |
| 710437 | 470 | S | 1.969 | 2.953 | 2.957 | 0.354 |
| 710438 | # | S | 2.126 | 2.992 | 3.000 | 0.551 |
| 710439 | # | S | 2.283 | 2.874 | 2.878 | 0.335 |
| ◆710440 | 470 | S | 2.677 68 | 3.543 90 | 3.550 90.17 | 0.472 12 |
| <hr/> | | | | | | |
| 710441 | # | N | 1.500 | 2.377 | 2.388 | 0.433 |
| ◆710442 → | 480 | N | 1.654 42 | 2.323 59 | 2.329 59.16 | 0.303 7.70 |
| 710443 | # | N | 1.575 | 2.161 | 2.165 | 0.512 |
| ◆710444 ← | 320 | S | 1.575 40 | 2.126 54 | 2.137 54.28 | 0.236 6 |
| ◆710445 | 350 | S | 0.748 19 | 1.378 35 | 1.387 35.23 | 0.315 8 |
| <hr/> | | | | | | |
| ◆710446 → | 350 | S | 2.677 68 | 3.465 88 | 3.476 88.29 | 0.315 8 |
| 710562 | 2300 | S | 6.775 | 7.875 | 7.880 | 0.360 |
| 710800 | 2300 | S | 9.466 | 10.875 | 10.891 | 0.375 |
| 710925 | 2300 | S | 11.006 | 12.875 | 12.891 | 0.625 |
| 711000 | 2300 | S | 11.586 | 13.687 | 13.703 | 0.562 |
| <hr/> | | | | | | |
| 711200 | 2300 | S | 13.797 | 15.500 | 15.513 | 0.437 |
| 711552 | 470 | N | 1.562 | 2.502 | 2.506 | 0.312 |
| 711553 | 740 | N | 2.375 | 3.875 | 3.881 | 1.060 |
| 712000 | # | N | 3.000 | 5.750 | 5.764 | 0.413 |
| ◆712001 → | 320 | N | 1.181 30 | 1.811 46 | 1.820 46.23 | 0.315 8 |
| <hr/> | | | | | | |
| 712003 ← | 320 | V | 4.724 | 5.512 | 5.524 | 0.512 |
| 712004 ← | 320 | V | 4.134 | 5.118 | 5.128 | 0.472 |
| ◆712005 → | 320 | H | 2.559 65 | 3.307 84 | 3.318 84.28 | 0.354 9 |
| ◆712006 ← | 320 | H | 2.362 60 | 3.228 82 | 3.239 82.27 | 0.472 12 |
| ◆712007 | 480 | V | 0.984 25 | 1.378 35 | 1.388 35.25 | 0.276 7 |
| <hr/> | | | | | | |
| ◆712008 ← | 320 | H | 1.102 28 | 1.654 42 | 1.663 42.24 | 0.315 8 |
| 712009 | 320 | V | 1.063 | 1.575 | 1.583 | 0.315 |
| ◆712010 → | 320 | H | 1.890 48 | 2.756 70 | 2.767 70.28 | 0.354 9 |
| ◆712011 | 320 | S | 1.575 40 | 2.953 75 | 2.961 75.20 | 0.472 12 |
| 712012 | # | V | 0.984 | 1.752 | 1.756 | 0.313 |
| <hr/> | | | | | | |
| 712013 | # | S | 1.000 | 1.752 | 1.756 | 0.313 |
| 712014 | # | S | 0.750 | 1.250 | 1.254 | 0.375 |
| 712015 | # | V | 0.875 | 1.375 | 1.379 | 0.250 |
| 712016 | # | S | 1.000 | 1.499 | 1.503 | 0.250 |

| Part Number | Style | Matl | Shaft | Bore | O.D. | Width |
|------------------|-------|------|-------------|-------------|----------------|-------------|
| 712017 | # | S | 0.625 | 1.124 | 1.128 | 0.375 |
| <hr/> | | | | | | |
| 712018 | # | S | 0.984 | 1.596 | 1.600 | 0.250 |
| 712019 | # | S | 0.500 | 0.875 | 0.879 | 0.313 |
| ◆712020 ← | 320 | N | 1.575 40 | 2.953 75 | 2.964 75.29 | 0.472 12 |
| 712021 | # | S | 0.312 | 0.749 | 0.753 | 0.250 |
| 712022 | # | S | 0.312 | 0.689 | 0.690 | 0.313 |
| <hr/> | | | | | | |
| 712023 | # | V | 1.500 | 2.311 | 2.315 | 0.500 |
| 712024 | # | S | 0.625 | 1.124 | 1.128 | 0.375 |
| 712025 | 470 | S | 1.250 | 1.752 | 1.758 | 0.252 |
| 712026 | # | S | 1.000 | 1.375 | 1.379 | 0.250 |
| 712027 | # | S | 0.750 | 1.250 | 1.254 | 0.250 |
| <hr/> | | | | | | |
| 712028 | # | S | 0.562 | 0.750 | 0.754 | 0.094 |
| 712100 ← | TPDW | T | 3.125 | 3.750 | 3.768 | 0.437 |
| 712101 → | TFW-H | T | 2.325 | 3.375 | 3.390 | 0.375 |
| 712102 → | TFW-H | T | 1.875 | 2.625 | 2.640 | 0.433 |
| 712103 → | TPDW | T | 2.625 | 3.516 | 3.533 | 0.394 |
| <hr/> | | | | | | |
| 712104 → | TPDW | T | 1.102 | 1.496 | 1.506 | 0.276 |
| 712105 ← | TW | T | 3.937 | 4.724 | 4.734 | 0.433 |
| 712106 | 320 | T | 4.724 | 5.512 | 5.520 | 0.512 |
| 712107 → | TFW-H | T | 4.134 | 5.118 | 5.124 | 0.433 |
| 712108 → | TFW-H | T | 2.677 | 3.543 | 3.549 | 0.394 |
| <hr/> | | | | | | |
| 712109 ← | TFW-H | T | 5.000 | 6.000 | 6.016 | 0.591 |
| 712110 ← | TW | T | 6.142 | 7.087 | 7.094 | 0.591 |
| 712111 → | TFW-H | T | 3.150 | 3.937 | 3.953 | 0.394 |
| 712112 ← | TW | T | 4.331 | 5.118 | 5.134 | 0.512 |
| 712113 → | TFW-H | T | 2.362 | 2.953 | 2.972 | 0.394 |
| <hr/> | | | | | | |
| 712114 ← | TFW-H | T | 5.118 | 5.906 | 5.921 | 0.512 |
| 712115 → | TFW-H | T | 3.150 | 3.937 | 3.953 | 0.512 |
| 712116 → | TFW-H | T | 3.500 | 4.331 | 4.346 | 0.472 |
| 712118 ← | TFW-H | T | 6.299 | 7.480 | 7.496 | 0.512 |
| 712119 → | TFW-H | T | 3.736 | 4.724 | 4.740 | 0.512 |
| <hr/> | | | | | | |
| 712120 → | TFW-H | T | 3.150 | 3.937 | 3.953 | 0.512 |
| 712122 ← | TFW-H | T | 6.142 | 7.087 | 7.102 | 0.591 |
| 712123 → | TFW-H | T | 3.150 | 3.937 | 3.953 | 0.512 |
| 712124 → | TFW-H | T | 3.543 | 4.331 | 4.346 | 0.472 |
| 712125 → | TFW-H | T | 2.126 | 2.874 | 2.890 | 0.502 |
| <hr/> | | | | | | |
| 712126 ← | TFW-H | T | 3.110 | 3.898 | 3.913 | 0.378 |
| 712146 | 250 | S | 1.688 | 2.551 | 2.562 | 0.470 |
| 712250 | 470 | V | 2.250 | 3.000 | 3.005 | 0.375 |
| 712260 | 470 | S | 1.750 | 2.810 | 2.814 | 0.315 |
| 712270 | 480 | S | 0.875 | 1.436 | 1.441 | 0.256 |
| <hr/> | | | | | | |
| 712375 | 900 | N | 2.375 | 4.064 | 4.069 | 1.092 |
| 712449 ← | 320 | V | 4.812 | 5.543 | 5.551 | 0.472 |
| 712511 → | 320 | V | 2.677 | 3.504 | 3.512 | 0.433 |
| 712512 ← | # | N | 2.250 | 3.252 | 3.260 | 0.551 |
| 712516 → | # | N | 1.875 | 2.677 | 2.689 | 0.551 |
| <hr/> | | | | | | |
| ◆712551 | 320 | S | 1.575 40 | 2.205 56 | 2.216 56.29 | 0.315 8 |
| 712598 | 470 | S | 2.598 | 3.999 | 4.004 | 0.780 |

| Part Number | Style | Matl | Shaft | Bore | O.D. | Width | Part Number | Style | Matl | Shaft | Bore | O.D. | Width |
|------------------|-------|------|-------|-------|--------|-------|----------------------|-------|------|--------|-------|-------|-------|
| 712598S | 470 | S | 2.598 | 3.999 | 4.004 | 0.780 | ◆759008XX | 320 | S | 2.953 | 3.543 | 3.551 | 0.315 |
| 712625 | 900 | N | 2.625 | 4.064 | 4.069 | 0.960 | | 75 | 90 | 90.20 | 8 | | |
| 712750 | 410 | V | 3.500 | 4.501 | 4.506 | 0.468 | | | | | | | |
| 712937 | 900 | N | 2.937 | 4.939 | 4.944 | 1.250 | ◆759010XX | 320 | S | 2.953 | 3.543 | 3.553 | 0.394 |
| 713103 → | 690 | V | 2.180 | 3.190 | 3.194 | 0.620 | | 75 | 90 | 90.25 | 10 | | |
| ◆713655 | 320 | N | 1.378 | 2.047 | 2.061 | 0.315 | ◆759510XX | 350 | S | 2.953 | 3.74 | 3.751 | 0.394 |
| | | | 35 | 52 | 52.35 | 8 | | 75 | 95 | 95.28 | 10 | | |
| 713750 | 690 | V | 3.750 | 4.500 | 4.506 | 0.468 | ◆10X012010XX | 350 | S | 3.937 | 4.724 | 4.736 | 0.394 |
| ◆713771 → | 350 | V | 1.378 | 1.969 | 1.982 | 0.315 | | 100 | 120 | 120.30 | 10 | | |
| | | | 35 | 50 | 50.34 | 8 | ◆10X012012XX | 350 | S | 3.937 | 4.724 | 4.735 | 0.472 |
| | | | | | | | | 100 | 120 | 120.28 | 12 | | |
| | | | | | | | ◆10X012512XX | 350 | S | 3.937 | 4.921 | 4.932 | 0.472 |
| | | | | | | | | 100 | 125 | 125.28 | 12 | | |
| 714075 | # | H | 1.771 | 2.500 | 2.504 | 0.359 | ◆10X013012XX | 350 | S | 3.937 | 5.118 | 5.129 | 0.472 |
| ◆714436 | 320 | S | 1.378 | 1.890 | 1.899 | 0.315 | | 100 | 130 | 130.28 | 12 | | |
| | | | 35 | 48 | 48.24 | 8 | ◆10X213013XX | 350 | S | 4.016 | 5.118 | 5.129 | 0.512 |
| 714470 | 480 | V | 3.125 | 4.003 | 4.008 | 0.500 | | 102 | 130 | 130.28 | 13 | | |
| 714503 ↔ | 320 | N | 1.886 | 2.750 | 2.761 | 0.469 | ◆10X512513XX | 320 | S | 4.134 | 4.921 | 4.932 | 0.512 |
| 714512 | 870 | N | 2.375 | 4.498 | 4.504 | 0.391 | | 105 | 125 | 125.28 | 13 | | |
| | | | | | | | ◆10X513012XX | 350 | S | 4.134 | 5.118 | 5.129 | 0.472 |
| | | | | | | | | 105 | 130 | 130.28 | 12 | | |
| 714569 | # | V | 1.574 | 2.410 | 2.415 | 0.540 | ◆10X514012XX | 350 | S | 4.134 | 5.512 | 5.523 | 0.472 |
| 714616 | # | V | 0.630 | 1.762 | 1.770 | 0.354 | | 105 | 140 | 140.28 | 12 | | |
| ◆714619 | 350 | S | 1.181 | 1.890 | 1.899 | 0.315 | | 105 | 140 | 140.28 | 12 | | |
| | | | 30 | 48 | 48.24 | 8 | | | | | | | |
| 714654 | 470 | N | 2.000 | 2.995 | 3.002 | 0.500 | ◆11X013012XX | 350 | S | 4.331 | 5.118 | 5.129 | 0.472 |
| 714655 | 480 | N | 1.375 | 1.981 | 1.989 | 0.252 | | 110 | 130 | 130.28 | 12 | | |
| | | | | | | | ◆11X013513XX | 320 | S | 4.331 | 5.315 | 5.327 | 0.512 |
| | | | | | | | | 110 | 135 | 135.30 | 13 | | |
| 714662 | 470 | V | 0.630 | 1.072 | 1.076 | 0.354 | ◆11X014012XX | 320 | S | 4.331 | 5.512 | 5.523 | 0.472 |
| 714670 | 470 | N | 2.500 | 3.500 | 3.504 | 0.450 | | 110 | 140 | 140.28 | 12 | | |
| 714675 | # | V | 1.842 | 2.748 | 2.751 | 0.425 | ◆11X014013XX | 450 | S | 4.331 | 5.512 | 5.521 | 0.512 |
| 714713 ↔ | 960 | V | 4.000 | 4.999 | 5.004 | 0.469 | | 110 | 140 | 140.23 | 13 | | |
| 714750 | 480 | V | 4.750 | 5.751 | 5.756 | 0.500 | ◆11X014513XX | 350 | S | 4.331 | 5.709 | 5.72 | 0.512 |
| | | | | | | | | 110 | 145 | 145.30 | 13 | | |
| | | | | | | | | | | | | | |
| 714810 ← | # | V | 3.003 | 3.751 | 3.761 | 0.570 | ◆11X015015XX | 350 | S | 4.331 | 5.906 | 5.917 | 0.591 |
| 715100 | # | S | 1.875 | 3.150 | 3.155 | 0.250 | | 110 | 150 | 150.28 | 15 | | |
| 715101 | # | S | 1.370 | 1.375 | 2.438 | 0.250 | ◆11X2140013XX | 350 | S | 4.409 | 5.512 | 5.524 | 0.512 |
| 715319 | 470 | N | 3.500 | 5.126 | 5.131 | 0.625 | | 112 | 140 | 140.32 | 13 | | |
| ◆716102 ← | 320 | H | 3.346 | 4.134 | 4.145 | 0.394 | ◆11X414013XX | 350 | S | 4.488 | 5.512 | 5.523 | 0.512 |
| | | | 85 | 105 | 105.28 | 10 | | 114 | 140 | 140.28 | 13 | | |
| | | | | | | | ◆11X514012XX | 350 | S | 4.528 | 5.512 | 5.523 | 0.472 |
| ◆716445 | 350 | V | 2.953 | 3.740 | 3.751 | 0.394 | | 115 | 140 | 140.28 | 12 | | |
| | | | 75 | 95 | 95.28 | 10 | ◆11X514513XX | 350 | S | 4.528 | 5.709 | 5.72 | 0.512 |
| 716484 | 320 | V | 1.890 | 2.559 | 2.571 | 0.394 | | 115 | 145 | 145.30 | 13 | | |
| ◆717004 | 480 | S | 4.724 | 5.512 | 5.520 | 0.472 | | | | | | | |
| | | | 120 | 140 | 140.21 | 12 | ◆11X514514XX | 320 | S | 4.528 | 5.709 | 5.717 | 0.551 |
| ◆717005 ← | 320 | S | 3.740 | 4.331 | 4.342 | 0.433 | | 115 | 145 | 145.20 | 14 | | |
| | | | 95 | 110 | 110.29 | 11 | ◆11X515012XX | 350 | S | 4.528 | 5.906 | 5.917 | 0.472 |
| 717006 | 450 | S | 3.740 | 4.528 | 4.537 | 0.394 | | 115 | 150 | 150.28 | 12 | | |
| | | | | | | | ◆12X014013XX | 350 | S | 4.724 | 5.512 | 5.523 | 0.512 |
| | | | | | | | | 120 | 140 | 140.28 | 13 | | |
| 718610 | 470 | N | 0.562 | 1.004 | 1.008 | 0.254 | ◆12X014512XX | 350 | S | 4.724 | 5.709 | 5.72 | 0.472 |
| 719316 | 720 | V | 1.875 | 3.160 | 3.165 | 0.720 | | 120 | 145 | 145.28 | 12 | | |
| 722108 | VS1 | N | 1.313 | 1.625 | - | 0.156 | ◆12X015012XX | 350 | S | 4.724 | 5.906 | 5.917 | 0.472 |
| 722109 | VS1 | S | 2.250 | 2.675 | 2.720 | 0.539 | | 120 | 150 | 150.28 | 12 | | |
| 722250 | 900 | N | 2.250 | 4.064 | 4.069 | 1.092 | | | | | | | |
| | | | | | | | ◆12X016012XX | 350 | S | 4.724 | 6.299 | 6.31 | 0.472 |
| 722250S | 900 | N | 2.250 | 4.064 | 4.069 | 1.092 | | 120 | 160 | 160.28 | 12 | | |
| 727410 | 440 | S | 0.750 | 1.000 | 1.006 | 0.126 | ◆12X25045XX | 320 | S | 0.472 | 0.984 | 0.992 | 0.177 |
| ◆729010XX | 350 | S | 2.835 | 3.543 | 3.551 | 0.394 | | 12 | 25 | 25.20 | 4.50 | | |
| | | | 72 | 90 | 90.20 | 10 | ◆12X515012XX | 320 | S | 4.921 | 5.906 | 5.917 | 0.472 |
| ◆729510XX | 350 | S | 2.835 | 3.74 | 3.751 | 0.394 | | 125 | 150 | 150.28 | 12 | | |
| | | | 72 | 95 | 95.28 | 10 | ◆12X515512XX | 320 | S | 4.921 | 6.102 | 6.11 | 0.472 |
| | | | | | | | | 125 | 155 | 155.20 | 12 | | |

| Part Number | Style | Matl | Shaft | Bore | O.D. | Width | Part Number | Style | Matl | Shaft | Bore | O.D. | Width |
|--------------|-------|------|--------------|--------------|-----------------|-------------|--------------|-------|------|---------------|---------------|------------------|----------------|
| ◆12X516012XX | 350 | S | 4.921 125 | 6.299 160 | 6.31 160.28 | 0.472 12 | ◆16X020012XX | 320 | S | 6.299 160 | 7.874 200 | 7.882 200.20 | 0.472 12 |
| ◆12X517015XX | 320 | S | 4.921 125 | 6.693 170 | 6.701 170.20 | 0.591 15 | ◆16X020015XX | 320 | S | 6.299 160 | 7.874 200 | 7.882 200.20 | 0.591 15 |
| ◆12X815015XX | 350 | S | 5.039 128 | 5.906 150 | 5.917 150.28 | 0.591 15 | ◆17X020015XX | 350 | S | 6.693 170 | 7.874 200 | 7.888 200.35 | 0.591 15 |
| ◆13X015010XX | 470 | S | 5.118 130 | 5.906 150 | 5.909 150.10 | 0.394 10 | ◆17X021015XX | 320 | S | 6.693 170 | 8.268 210 | 8.276 210.20 | 0.591 15 |
| ◆13X016012XX | 350 | S | 5.118 130 | 6.299 160 | 6.31 160.28 | 0.472 12 | ◆17X520015XX | 320 | S | 6.89 175 | 7.874 200 | 7.888 200.35 | 0.591 15 |
| ◆13X016015XX | 320 | S | 5.118 130 | 6.299 160 | 6.307 160.20 | 0.591 15 | ◆18X021015XX | 350 | S | 7.087 180 | 8.268 210 | 8.281 210.35 | 0.591 15 |
| ◆13X017012XX | 350 | S | 5.118 130 | 6.693 170 | 6.705 170.30 | 0.472 12 | ◆18X512013XX | 350 | S | 7.283 185 | 8.268 210 | 8.281 210.35 | 0.512 13 |
| ◆13X017015XX | 350 | S | 5.118 130 | 6.693 170 | 6.704 170.28 | 0.591 15 | ◆19X022016XX | 350 | S | 7.48 190 | 8.661 220 | 8.675 220.35 | 0.63 16 |
| ◆13X516013XX | 350 | S | 5.315 135 | 6.299 160 | 6.314 160.38 | 0.512 13 | ◆19X023016XX | 320 | S | 7.48 190 | 8.858 230 | 8.866 230.20 | 0.63 16 |
| ◆13X517012XX | 350 | S | 6.513 135 | 6.693 170 | 6.708 170.38 | 0.472 12 | ◆20X023015XX | 450 | S | 7.874 200 | 9.055 230 | 9.069 230.35 | 0.591 15 |
| ◆13X815212XX | 470 | S | 5.433 138 | 5.984 152 | 5.988 152.10 | 0.472 12 | ◆21X024015XX | 350 | S | 8.268 210 | 9.449 240 | 9.463 240.35 | 0.591 15 |
| ◆14X016012XX | 320 | S | 5.512 140 | 6.299 160 | 6.307 160.20 | 0.472 12 | ◆21X025015XX | 320 | S | 8.268 210 | 9.843 250 | 9.85 250.20 | 0.591 15 |
| ◆14X016013XX | 350 | S | 5.512 140 | 6.299 160 | 6.31 160.27 | 0.512 13 | ◆22X025015XX | 350 | S | 8.661 220 | 9.843 250 | 9.856 250.35 | 0.591 15 |
| ◆14X017012XX | 320 | S | 5.512 140 | 6.693 170 | 6.705 170.30 | 0.472 12 | ◆23X026015XX | 350 | S | 9.055 230 | 10.236 260 | 10.25 260.35 | 0.591 15 |
| ◆14X017015XX | 350 | S | 5.512 140 | 6.693 170 | 6.71 170.43 | 0.591 15 | ◆24X027015XX | 350 | S | 9.449 240 | 10.63 270 | 10.644 270.35 | 0.591 15 |
| ◆14X018012XX | 350 | S | 5.512 140 | 7.087 180 | 7.098 180.30 | 0.472 12 | ◆24X028016XX | 320 | S | 9.449 240 | 11.024 280 | 11.031 280.20 | 0.63 16 |
| ◆14X018018XX | 320 | S | 5.512 140 | 7.087 180 | 7.102 180.38 | 0.709 18 | ◆28X032020XX | 320 | S | 11.024 280 | 12.598 320 | 12.616 320.45 | 0.787 20 |
| ◆14X416012XX | 350 | S | 5.669 144 | 6.299 160 | 6.309 160.25 | 0.472 12 | ◆30X034020XX | 320 | S | 11.811 300 | 13.386 340 | 13.404 340.45 | 0.787 20 |
| ◆14X516414XX | 470 | S | 5.709 145 | 6.457 164 | 6.461 164.10 | 0.551 14 | ◆38X52085XX | 320 | S | 1.496 38 | 2.047 52 | 2.057 52.25 | 0.335 8.50 |
| ◆14X517012XX | 350 | S | 5.709 145 | 6.693 170 | 6.711 170.45 | 0.472 12 | ◆55X10013X | 450 | S | 2.165 55 | 3.937 100 | 3.949 100.30 | 0.5 12.70 |
| ◆14X517515XX | 350 | S | 5.709 145 | 6.89 175 | 6.905 175.38 | 0.591 15 | ◆55X1007X | 320 | S | 2.165 55 | 2.953 75 | 2.961 75.20 | 0.276 7 |
| ◆14X518012XX | 350 | S | 5.709 145 | 7.087 180 | 7.098 180.28 | 0.472 12 | ◆56X72115XX | 350 | S | 2.205 56 | 2.835 72 | 2.85 72.40 | 0.453 11.50 |
| ◆14X518012XX | 350 | S | 5.709 145 | 7.087 180 | 7.098 180.28 | 0.472 12 | ◆60X10010XX↔ | 320 | N | 2.362 60 | 3.937 100 | 3.945 100.20 | 0.394 10 |
| ◆14X817015XX | 350 | S | 5.709 148 | 6.89 170 | 6.905 170.28 | 0.591 15 | ◆60X11008XX | 320 | S | 2.362 60 | 4.331 110 | 4.339 110.20 | 0.315 8 |
| ◆14X817015XX | 350 | S | 5.827 148 | 6.693 170 | 6.704 170.28 | 0.591 15 | ◆62X10007XX | 320 | S | 2.441 62 | 3.937 100 | 3.949 100.30 | 0.276 7 |
| ◆15X018012XX | 350 | S | 5.906 150 | 7.087 180 | 7.1 180.35 | 0.472 12 | ◆65X10007XX | 320 | S | 2.559 65 | 3.937 100 | 3.949 100.30 | 0.276 7 |
| ◆15X018015XX | 350 | S | 5.906 150 | 7.087 180 | 7.1 180.35 | 0.591 15 | ◆65X10010XX | 350 | S | 2.559 65 | 3.937 100 | 3.948 100.28 | 0.394 10 |
| ◆15X518015XX | 320 | S | 6.102 155 | 7.087 180 | 7.096 180.23 | 0.591 15 | ◆68X10010XX | 350 | S | 2.677 68 | 3.937 100 | 3.945 100.20 | 0.394 10 |
| ◆16X018510XX | 350 | S | 6.299 160 | 7.283 185 | 7.297 185.35 | 0.394 10 | ◆68X10013XX | 350 | S | 2.677 68 | 3.937 100 | 3.948 100.28 | 0.512 13 |
| ◆16X019015XX | 350 | S | 6.299 160 | 7.48 190 | 7.494 190.35 | 0.591 15 | ◆70X10010XX | 320 | S | 2.756 70 | 3.937 100 | 3.945 100.20 | 0.394 10 |

| Part Number | Style | Matl | Shaft | Bore | O.D. | Width | Part Number | Style | Matl | Shaft | Bore | O.D. | Width |
|--------------|-------|------|-------------|--------------|-----------------|-------------|-------------|-------|------|-------------|--------------|-----------------|--------------|
| ◆70X10013XX | 350 | S | 2.756 70 | 3.937 100 | 3.948 100.28 | 0.512 13 | ◆85X13013XX | 480 | S | 3.346 85 | 5.118 130 | 5.124 130.15 | 0.5 12.70 |
| ◆70X10507XX | 320 | S | 2.756 70 | 4.134 105 | 4.146 105.30 | 0.276 7 | ◆88X11012XX | 350 | S | 3.465 88 | 4.331 110 | 4.342 110.28 | 0.472 12 |
| ◆70X10513XX | 350 | S | 2.756 70 | 4.134 105 | 4.142 105.20 | 0.512 13 | ◆90X11012XX | 350 | S | 3.543 90 | 4.331 110 | 4.339 110.20 | 0.472 12 |
| ◆70X11010XX | 350 | S | 2.756 70 | 4.331 110 | 4.339 110.20 | 0.394 10 | ◆90X11512XX | 320 | S | 3.543 90 | 4.528 115 | 4.535 115.20 | 0.472 12 |
| ◆72X10010XX | 350 | S | 2.835 72 | 3.937 100 | 3.945 100.20 | 0.394 10 | ◆90X12012XX | 320 | S | 3.543 90 | 4.724 120 | 4.735 120.28 | 0.472 12 |
| ◆72X10012XX↔ | 320 | S | 2.835 72 | 3.937 100 | 3.949 100.31 | 0.472 12 | ◆90X12507XX | 320 | S | 3.543 90 | 4.921 125 | 4.949 125.70 | 0.276 7 |
| ◆75X10010XX | 320 | S | 2.953 75 | 3.937 100 | 3.945 100.20 | 0.394 10 | ◆90X12513XX | 320 | S | 3.543 90 | 4.921 125 | 4.933 125.30 | 0.512 13 |
| ◆75X10012XX | 320 | S | 2.953 75 | 3.937 100 | 3.948 100.27 | 0.472 12 | ◆90X14514XX | 320 | S | 3.543 90 | 5.709 145 | 5.717 145.20 | 0.551 14 |
| ◆75X10513XX | 320 | S | 2.953 75 | 4.134 105 | 4.144 105.27 | 0.512 13 | ◆92X12013XX | 350 | S | 3.622 92 | 4.724 120 | 4.734 120.24 | 0.512 13 |
| ◆75X11012XX | 320 | S | 2.953 75 | 4.331 110 | 4.339 110.20 | 0.472 12 | ◆95X11010XX | 320 | S | 3.74 95 | 4.331 110 | 4.339 110.20 | 0.394 10 |
| ◆75X11512XX | 350 | S | 2.953 75 | 4.528 115 | 4.539 115.30 | 0.472 12 | ◆95X11512XX | 350 | S | 3.74 95 | 4.528 115 | 4.539 115.28 | 0.472 12 |
| ◆75X12010XX | 320 | S | 2.953 75 | 4.724 120 | 4.732 120.20 | 0.394 10 | ◆95X12012XX | 350 | S | 3.74 95 | 4.724 120 | 4.735 120.28 | 0.472 12 |
| ◆78X10010XX | 350 | S | 3.071 78 | 3.937 100 | 3.948 100.27 | 0.394 10 | ◆95X12512XX | 350 | S | 3.74 95 | 4.921 125 | 4.932 125.28 | 0.472 12 |
| ◆78X10510XX | 320 | S | 3.071 78 | 4.134 105 | 4.142 105.20 | 0.394 10 | ◆95X13012XX | 350 | S | 3.74 95 | 5.118 130 | 5.129 130.28 | 0.472 12 |
| ◆78X11510XX | 320 | S | 3.071 78 | 4.528 115 | 4.535 115.20 | 0.394 10 | ◆98X12013XX | 350 | S | 3.858 98 | 4.724 120 | 4.732 120.20 | 0.512 13 |
| ◆80X10010XX | 350 | S | 3.15 80 | 3.937 100 | 3.945 100.20 | 0.394 10 | | | | | | | |
| ◆80X10510XX | 320 | S | 3.15 80 | 4.134 105 | 4.142 105.20 | 0.394 10 | | | | | | | |
| ◆80X10513XX | 480 | S | 3.15 80 | 4.134 105 | 4.144 105.27 | 0.512 13 | | | | | | | |
| ◆80X11010XX | 320 | S | 3.15 80 | 4.331 110 | 4.342 110.28 | 0.394 10 | | | | | | | |
| ◆80X11012XX | 350 | S | 3.15 80 | 4.331 110 | 4.342 110.28 | 0.472 12 | | | | | | | |
| ◆80X12010XX | 320 | S | 3.15 80 | 4.724 120 | 4.732 120.20 | 0.394 10 | | | | | | | |
| ◆80X12013XX | 320 | S | 3.15 80 | 4.724 120 | 4.735 120.28 | 0.512 13 | | | | | | | |
| ◆82X10513XX | 250 | S | 3.228 82 | 4.134 105 | 4.144 105.25 | 0.512 13 | | | | | | | |
| ◆85X10510XX | 320 | S | 3.346 85 | 4.134 105 | 4.145 105.28 | 0.394 10 | | | | | | | |
| ◆85X10513XX | 320 | S | 3.346 85 | 4.134 105 | 4.145 105.28 | 0.512 13 | | | | | | | |
| ◆85X11010XX | 350 | S | 3.346 85 | 4.331 110 | 4.339 110.20 | 0.394 10 | | | | | | | |
| ◆85X11012XX | 350 | S | 3.346 85 | 4.331 110 | 4.342 110.28 | 0.472 12 | | | | | | | |
| ◆85X11513XX | 350 | S | 3.346 85 | 4.528 115 | 4.528 115.00 | 0.512 13 | | | | | | | |
| ◆85X12012XX | 320 | S | 3.346 85 | 4.724 120 | 4.735 120.28 | 0.472 12 | | | | | | | |
| ◆85X12512XX | 320 | S | 3.346 85 | 4.921 125 | 4.929 125.20 | 0.472 12 | | | | | | | |

| Part Number | Style | Matl | Shaft | Bore | O.D. | Width | Part Number | Style | Matl | Shaft | Bore | O.D. | Width |
|-------------|-------|------|-------|------|-------|-------|-------------|-------|------|-------|------|-------|-------|
| 61607XX | 350 | S | 6 | 16 | 16.28 | 7 | 152807XX | 320 | S | 15 | 28 | 28.20 | 7 |
| 62207XX | 350 | S | 6 | 22 | 22.28 | 7 | 153007XX | 350 | S | 15 | 30 | 30.23 | 7 |
| 71607XX | 320 | S | 7 | 16 | 16.28 | 7 | 153207XX | 350 | S | 15 | 32 | 32.20 | 7 |
| 72207XX | 350 | S | 7 | 22 | 22.28 | 7 | *153207XX | 350 | V | 15 | 32 | 32.20 | 7 |
| 81404XX | 350 | S | 8 | 14 | 14.20 | 4 | 153208XX | 350 | S | 15 | 32 | 32.22 | 8 |
| 81607XX | 350 | S | 8 | 16 | 16.23 | 7 | 153507XX | 350 | S | 15 | 35 | 35.23 | 7 |
| 81805XX | 350 | S | 8 | 18 | 18.20 | 5 | 153706XX | 320 | S | 15 | 37 | 37.20 | 6 |
| 81807XX | 320 | S | 8 | 18 | 18.20 | 7 | 154007XX | 320 | S | 15 | 40 | 40.20 | 7 |
| 82207XX | 320 | S | 8 | 22 | 22.28 | 7 | 162204XX | 320 | S | 16 | 22 | 22.20 | 4 |
| *82207XX | 320 | V | 8 | 22 | 22.20 | 7 | 162406XX | 320 | S | 16 | 24 | 24.20 | 6 |
| 82407XX | 350 | S | 8 | 24 | 24.28 | 7 | 162407XX | 320 | S | 16 | 24 | 24.20 | 7 |
| 91807XX | 350 | S | 9 | 18 | 18.20 | 7 | 162405XX | 350 | S | 16 | 25 | 25.20 | 5 |
| 92207XX | 350 | S | 9 | 22 | 22.20 | 7 | 162607XX | 320 | S | 16 | 26 | 26.20 | 7 |
| 92407XX | 350 | S | 9 | 24 | 24.28 | 7 | 162807XX | 350 | S | 16 | 28 | 28.23 | 7 |
| 92607XX | 350 | S | 9 | 26 | 26.28 | 7 | *162807XX | 320 | V | 16 | 28 | 28.20 | 7 |
| 101907XX | 350 | S | 10 | 19 | 19.20 | 7 | 163007XX | 350 | S | 16 | 30 | 30.23 | 7 |
| 102207XX | 320 | S | 10 | 22 | 22.28 | 7 | 163207XX | 320 | S | 16 | 32 | 32.28 | 7 |
| 102407XX | 350 | S | 10 | 24 | 24.23 | 7 | 163507XX | 350 | S | 16 | 35 | 35.23 | 7 |
| 102507XX | 320 | S | 10 | 25 | 25.28 | 7 | 163807XX | 320 | S | 16 | 38 | 38.20 | 7 |
| 102607XX | 320 | S | 10 | 26 | 26.23 | 7 | 164007XX | 320 | S | 16 | 40 | 40.20 | 7 |
| 111704XX | 320 | S | 11 | 17 | 17.25 | 4 | 172707XX | 320 | S | 17 | 27 | 27.20 | 7 |
| 112207XX | 350 | S | 11 | 22 | 22.28 | 7 | 172807XX | 350 | S | 17 | 28 | 28.23 | 7 |
| 112607XX | 350 | S | 11 | 26 | 26.28 | 7 | 173007XX | 350 | S | 17 | 30 | 30.23 | 7 |
| 121905XX | 320 | S | 12 | 19 | 19.20 | 5 | 173207XX | 350 | S | 17 | 32 | 32.22 | 7 |
| 122005XX | 320 | S | 12 | 20 | 20.28 | 5 | 173507XX | 350 | S | 17 | 35 | 35.18 | 7 |
| 122207XX | 350 | S | 12 | 22 | 22.25 | 7 | 173508XX | 350 | S | 17 | 35 | 35.20 | 8 |
| 122407XX | 320 | S | 12 | 24 | 24.23 | 7 | 173707XX | 320 | S | 17 | 37 | 37.20 | 7 |
| 12X25045XX | 320 | S | 12 | 25 | 25.20 | 4.50 | 173807XX | 320 | S | 17 | 38 | 38.20 | 7 |
| 122507XX | 480 | S | 12 | 25 | 25.25 | 7 | 174007XX | 350 | S | 17 | 40 | 40.23 | 7 |
| 122607XX | 320 | S | 12 | 26 | 26.20 | 7 | 174707XX | 350 | S | 17 | 47 | 47.20 | 7 |
| 122807XX | 350 | S | 12 | 28 | 28.20 | 7 | 174708XX | 320 | S | 17 | 47 | 47.20 | 8 |
| 123007XX | 350 | S | 12 | 30 | 30.20 | 7 | 182806XX | 350 | S | 18 | 28 | 28.28 | 6 |
| 123207XX | 350 | S | 12 | 32 | 32.20 | 7 | 183007XX | 350 | S | 18 | 30 | 30.23 | 7 |
| 123507XX | 320 | S | 12 | 35 | 35.20 | 7 | 183207XX | 350 | S | 18 | 32 | 32.20 | 7 |
| 132206XX | 320 | S | 13 | 22 | 22.20 | 6 | 183208XX | 350 | S | 18 | 32 | 32.22 | 8 |
| 132607XX | 320 | S | 13 | 26 | 26.20 | 7 | 183507XX | 320 | S | 18 | 35 | 35.18 | 7 |
| 132807XX | 320 | S | 13 | 28 | 28.20 | 7 | 183708XX | 320 | S | 18 | 37 | 37.20 | 8 |
| 133007XX | 320 | S | 13 | 30 | 30.20 | 7 | 183807XX | 320 | S | 18 | 38 | 38.20 | 7 |
| 142407XX | 350 | S | 14 | 24 | 24.23 | 7 | 184007XX | 350 | S | 18 | 40 | 40.22 | 7 |
| 142505XX | 320 | S | 14 | 25 | 25.23 | 5 | 192706XX | 350 | S | 19 | 27 | 27.20 | 6 |
| 142607XX | 320 | S | 14 | 26 | 26.23 | 7 | 193007XX | 320 | S | 19 | 30 | 30.20 | 7 |
| 142707XX | 320 | S | 14 | 27 | 27.20 | 7 | 193207XX | 350 | S | 19 | 32 | 32.20 | 7 |
| 142806XX | 350 | S | 14 | 28 | 28.23 | 6 | 193208XX | 320 | S | 19 | 32 | 32.20 | 8 |
| 143007XX | 320 | S | 14 | 30 | 30.20 | 7 | 193510XX | 350 | S | 19 | 35 | 35.23 | 10 |
| 143207XX | 320 | S | 14 | 32 | 32.20 | 7 | 194010XX | 350 | S | 19 | 40 | 40.23 | 10 |
| 143507XX | 350 | S | 14 | 35 | 35.22 | 7 | 194707XX | 320 | S | 19 | 47 | 47.20 | 7 |
| 152407XX | 350 | S | 15 | 24 | 24.23 | 7 | 202806XX | 320 | S | 20 | 28 | 28.20 | 6 |
| 152505XX | 320 | S | 15 | 25 | 25.20 | 5 | 203007XX | 350 | S | 20 | 30 | 30.28 | 7 |
| 152507XX | 350 | S | 15 | 25 | 25.20 | 7 | 203207XX | 350 | S | 20 | 32 | 32.23 | 7 |
| 152607XX | 350 | S | 15 | 26 | 26.23 | 7 | 203507XX | 350 | S | 20 | 35 | 35.23 | 7 |

| Part Number | Style | Matl | Shaft | Bore | O.D. | Width | Part Number | Style | Matl | Shaft | Bore | O.D. | Width |
|-------------|-------|------|-------|------|-------|-------|-------------|-------|------|-------|------|-------|-------|
| 203607XX | 320 | S | 20 | 36 | 36.20 | 7 | 256210XX | 320 | S | 25 | 62 | 62.28 | 10 |
| 203707XX | 320 | S | 20 | 37 | 37.20 | 7 | 263707XX | 320 | S | 26 | 37 | 37.20 | 7 |
| 203708XX | 320 | S | 20 | 37 | 37.20 | 8 | 263805XX | 320 | S | 26 | 38 | 38.20 | 5 |
| 203807XX | 320 | S | 20 | 38 | 38.20 | 7 | 264007XX | 320 | S | 26 | 40 | 40.20 | 7 |
| 204007XX | 350 | S | 20 | 40 | 40.23 | 7 | 264207XX | 320 | S | 26 | 42 | 42.20 | 7 |
| 204010XX | 350 | S | 20 | 40 | 40.23 | 10 | 264210XX | 350 | S | 26 | 42 | 42.23 | 10 |
| 204207XX | 350 | S | 20 | 42 | 42.25 | 7 | 264707XX | 350 | S | 26 | 47 | 47.23 | 7 |
| 204210XX | 320 | S | 20 | 42 | 42.15 | 10 | 264807XX | 320 | S | 26 | 48 | 48.23 | 7 |
| 204707XX | 350 | S | 20 | 47 | 47.22 | 7 | 265208XX | 320 | S | 26 | 52 | 52.20 | 8 |
| 205207XX | 350 | S | 20 | 52 | 52.20 | 7 | 273707XX | 350 | S | 27 | 37 | 37.15 | 7 |
| 213507XX | 320 | S | 21 | 35 | 35.20 | 7 | 274210XX | 350 | S | 27 | 42 | 42.23 | 10 |
| 213508XX | 320 | S | 21 | 35 | 35.20 | 8 | 274308XX | 320 | S | 27 | 43 | 43.20 | 8 |
| 223207XX | 350 | S | 22 | 32 | 32.23 | 7 | 274508XX | 350 | S | 27 | 45 | 45.25 | 8 |
| 223507XX | 350 | S | 22 | 35 | 35.23 | 7 | 274710XX | 350 | S | 27 | 47 | 47.23 | 10 |
| 223607XX | 320 | S | 22 | 36 | 36.20 | 7 | 275208XX | 350 | S | 27 | 52 | 52.20 | 8 |
| 223707XX | 350 | S | 22 | 37 | 37.23 | 7 | 283807XX | 350 | S | 28 | 38 | 38.23 | 7 |
| 223807XX | 350 | S | 22 | 38 | 38.20 | 7 | 284007XX | 350 | S | 28 | 40 | 40.26 | 7 |
| 223808XX | 320 | S | 22 | 38 | 38.20 | 8 | 284008XX | 320 | S | 28 | 40 | 40.20 | 8 |
| 224007XX | 350 | S | 22 | 40 | 40.23 | 7 | 284208XX | 350 | S | 28 | 42 | 42.23 | 8 |
| 224008XX | 350 | S | 22 | 40 | 40.20 | 8 | 284406XX | 320 | N | 28 | 44 | 44.23 | 6 |
| 224207XX | 320 | S | 22 | 42 | 42.20 | 7 | 284508XX | 320 | S | 28 | 45 | 45.20 | 8 |
| 224210XX | 350 | S | 22 | 42 | 42.20 | 10 | 284707XX | 350 | S | 28 | 47 | 47.22 | 7 |
| 224507XX | 350 | S | 22 | 45 | 45.23 | 7 | 284808XX | 320 | S | 28 | 48 | 48.20 | 8 |
| 224707XX | 350 | S | 22 | 47 | 47.23 | 7 | 285207XX | 350 | S | 28 | 52 | 52.23 | 7 |
| 243507XX | 350 | S | 24 | 35 | 35.23 | 7 | 304007XX | 350 | S | 30 | 40 | 40.23 | 7 |
| 243707XX | 350 | S | 24 | 37 | 37.23 | 7 | 304207XX | 350 | S | 30 | 42 | 42.20 | 7 |
| 243807XX | 320 | S | 24 | 38 | 38.20 | 7 | 304407XX | 250 | S | 30 | 44 | 44.28 | 7 |
| 244007XX | 350 | S | 24 | 40 | 40.23 | 7 | 304505XX | 320 | S | 30 | 45 | 45.22 | 5 |
| 244207XX | 320 | S | 24 | 42 | 42.20 | 7 | 304508XX | 320 | S | 30 | 45 | 45.20 | 8 |
| 244210XX | 320 | S | 24 | 42 | 42.25 | 10 | 304607XX | 320 | S | 30 | 46 | 46.20 | 7 |
| 244707XX | 350 | S | 24 | 47 | 47.23 | 7 | 304707XX | 350 | S | 30 | 47 | 47.25 | 7 |
| 245207XX | 320 | S | 24 | 52 | 52.20 | 7 | 304808XX | 350 | S | 30 | 48 | 48.28 | 8 |
| 253506XX | 320 | S | 25 | 35 | 35.20 | 6 | 305007XX | 350 | S | 30 | 50 | 50.23 | 7 |
| 253506XX | 350 | S | 25 | 35 | 35.25 | 7 | 305008XX | 480 | S | 30 | 50 | 50.20 | 8 |
| 253607XX | 320 | S | 25 | 36 | 36.23 | 7 | 305207XX | 350 | S | 30 | 52 | 52.23 | 7 |
| 253608XX | 350 | S | 25 | 36 | 36.22 | 8 | 305510XX | 350 | S | 30 | 55 | 55.28 | 10 |
| 253707XX | 320 | S | 25 | 37 | 37.20 | 7 | 305608XX | 350 | S | 30 | 56 | 56.20 | 8 |
| 253807XX | 350 | S | 25 | 38 | 38.23 | 7 | 306207XX | 350 | S | 30 | 62 | 62.28 | 7 |
| 254007XX | 350 | S | 25 | 40 | 40.22 | 7 | 307210XX | 350 | S | 30 | 72 | 72.27 | 10 |
| 254206XX | 350 | S | 25 | 42 | 42.20 | 6 | 314408XX | 320 | S | 31 | 44 | 44.20 | 8 |
| 254208XX | 320 | S | 25 | 42 | 42.20 | 8 | 324207XX | 350 | S | 32 | 42 | 42.20 | 7 |
| 254210XX | 350 | S | 25 | 42 | 42.28 | 10 | 324208XX | 320 | S | 32 | 42 | 42.20 | 8 |
| 254508XX | 350 | S | 25 | 45 | 45.23 | 8 | 324307XX | 320 | S | 32 | 43 | 43.20 | 7 |
| 254607XX | 320 | S | 25 | 46 | 46.20 | 7 | 324507XX | 320 | S | 32 | 45 | 45.23 | 7 |
| 254707XX | 350 | S | 25 | 47 | 47.23 | 7 | 324606XX | 320 | S | 32 | 46 | 46.23 | 6 |
| 254808XX | 320 | S | 25 | 48 | 48.20 | 8 | 324707XX | 350 | S | 32 | 47 | 47.23 | 7 |
| 255010XX | 350 | S | 25 | 50 | 50.28 | 10 | 324808XX | 350 | S | 32 | 48 | 48.20 | 8 |
| 255207XX | 350 | S | 25 | 52 | 52.27 | 7 | 325008XX | 350 | S | 32 | 50 | 50.23 | 8 |
| 255208XX | 350 | S | 25 | 52 | 52.20 | 8 | 325207XX | 350 | S | 32 | 52 | 52.28 | 7 |
| 255210XX | 350 | S | 25 | 52 | 52.20 | 10 | 325410XX | 320 | S | 32 | 54 | 54.23 | 10 |

| Part Number | Style | Matl | Shaft | Bore | O.D. | Width | Part Number | Style | Matl | Shaft | Bore | O.D. | Width |
|-------------------|-------|------|-------|------|-------|-------|-----------------|-------|------|-------|------|-------|-------|
| 325610XX | 350 | S | 32 | 56 | 56.28 | 10 | 385407XX | 480 | S | 38 | 54 | 54.18 | 7 |
| 325808XX | 320 | S | 32 | 58 | 58.20 | 8 | 385410XX | 320 | S | 38 | 54 | 54.18 | 10 |
| 326008XX | 320 | S | 32 | 60 | 60.20 | 8 | 385507XX | 350 | N | 38 | 55 | 55.23 | 7 |
| 326010XX | 480 | S | 32 | 60 | 60.20 | 10 | 385610XX | 350 | S | 38 | 56 | 56.28 | 10 |
| 326208XX | 320 | S | 32 | 62 | 62.20 | 8 | 385808XX | 470 | S | 38 | 58 | 58.11 | 8 |
| 327208XX | 320 | S | 32 | 72 | 72.20 | 8 | 386008XX | 320 | S | 38 | 60 | 60.20 | 8 |
| 335012XX | 320 | S | 33 | 50 | 50.25 | 12 | 386010XX | 350 | S | 38 | 60 | 60.35 | 10 |
| 335206XX | 320 | S | 33 | 52 | 52.25 | 6 | 386207XX | 350 | S | 38 | 62 | 62.28 | 7 |
| 344508XX | 320 | S | 34 | 45 | 45.20 | 8 | 386508XX | 320 | S | 38 | 65 | 65.20 | 8 |
| 345208XX | 320 | S | 34 | 52 | 52.28 | 8 | 386808XX | 320 | S | 38 | 68 | 68.20 | 8 |
| 345409XX | 350 | S | 34 | 54 | 54.20 | 9 | 386810XX | 320 | S | 38 | 68 | 68.20 | 10 |
| 345509XX | 320 | S | 34 | 55 | 55.20 | 9 | 387010XX | 350 | S | 38 | 70 | 70.20 | 10 |
| 346210XX | 350 | S | 34 | 62 | 62.18 | 10 | 387210XX | 350 | S | 38 | 72 | 72.20 | 10 |
| 354507XX | 350 | S | 35 | 45 | 45.15 | 7 | 387408XX | 320 | S | 38 | 74 | 74.20 | 8 |
| 354707XX | 350 | S | 35 | 47 | 47.23 | 7 | 387411XX | 320 | N | 38 | 74 | 74.20 | 11 |
| 354808XX | 320 | S | 35 | 48 | 48.20 | 8 | 405008XX | 350 | S | 40 | 50 | 50.20 | 8 |
| 355007XX | 350 | S | 35 | 50 | 50.20 | 7 | 405207XX | 350 | S | 40 | 52 | 52.25 | 7 |
| 355008XX | 350 | S | 35 | 50 | 50.24 | 8 | 405406XX | 470 | S | 40 | 54 | 54.20 | 5.50 |
| 355207XX | 350 | S | 35 | 52 | 52.20 | 7 | 405506XX | 350 | S | 40 | 55 | 55.20 | 6.50 |
| 355208XX | 330 | S | 35 | 52 | 52.13 | 8 | 405508XX | 350 | S | 40 | 55 | 55.28 | 8 |
| 355408XX | 350 | S | 35 | 54 | 54.20 | 8 | 405607XX | 320 | S | 40 | 56 | 56.20 | 7 |
| 355508XX | 470 | S | 35 | 55 | 55.10 | 8 | 405710XX | 320 | S | 40 | 57 | 57.20 | 10 |
| 355511XX | 320 | S | 35 | 55 | 55.23 | 11 | 405808XX | 350 | S | 40 | 58 | 58.20 | 8 |
| 355608XX | 350 | S | 35 | 56 | 56.20 | 8 | 405810XX | 320 | S | 40 | 58 | 58.28 | 10 |
| 355610XX | 320 | S | 35 | 56 | 56.27 | 10 | 406010XX | 350 | S | 40 | 60 | 60.20 | 10 |
| 355810XX | 350 | S | 35 | 58 | 58.28 | 10 | 406207XX | 350 | S | 40 | 62 | 62.20 | 7 |
| 356010XX | 350 | S | 35 | 60 | 60.23 | 10 | 406208XX | 320 | S | 40 | 62 | 62.25 | 8 |
| 356207XX | 350 | S | 35 | 62 | 62.28 | 7 | 406212XX | 350 | S | 40 | 62 | 62.25 | 11.50 |
| 356210XX | 350 | S | 35 | 62 | 62.20 | 10 | 406510XX | 350 | S | 40 | 65 | 65.28 | 10 |
| 356408XX | 470 | N | 35 | 64 | 64.13 | 8 | 406808XX | 350 | S | 40 | 68 | 68.80 | 8 |
| 356508XX | 320 | S | 35 | 65 | 65.20 | 8 | 406812XX | 350 | S | 40 | 68 | 68.25 | 12 |
| 356510XX | 320 | S | 35 | 65 | 65.20 | 10 | 407008XX | 320 | S | 40 | 70 | 70.20 | 8 |
| 357008XX | 320 | S | 35 | 70 | 70.20 | 8 | 407207XX | 350 | S | 40 | 72 | 72.35 | 7 |
| 357210XX | 350 | S | 35 | 72 | 72.28 | 10 | 407808XX | 320 | S | 40 | 78 | 78.80 | 8 |
| 358008XX | 320 | S | 35 | 80 | 80.20 | 8 | 407810XX | 350 | S | 40 | 78 | 78.20 | 10 |
| 364707XX | 350 | S | 36 | 47 | 47.20 | 7 | 408010XX | 350 | S | 40 | 80 | 80.28 | 10 |
| 365007XX | 470 | S | 36 | 50 | 50.08 | 7 | 409008XX | 350 | S | 40 | 90 | 90.20 | 8 |
| 365207XX | 350 | S | 36 | 52 | 52.20 | 7 | 415507XX | 320 | S | 41 | 55 | 55.29 | 7 |
| 365408XX | 350 | S | 36 | 54 | 54.20 | 8 | 415607XX | 350 | S | 41 | 56 | 56.25 | 7 |
| 365610XX | 350 | S | 36 | 56 | 56.25 | 10 | 425507XX | 320 | S | 42 | 55 | 55.20 | 7 |
| 365808XX | 470 | S | 36 | 58 | 58.25 | 8 | 425508XX | 350 | S | 42 | 55 | 55.28 | 8 |
| 365812XX | 350 | S | 36 | 58 | 58.23 | 12 | 425607XX | 320 | S | 42 | 56 | 56.13 | 7 |
| 366007XX | 320 | S | 36 | 60 | 60.20 | 7 | 425807XX | 480 | S | 42 | 58 | 58.10 | 7 |
| 366207XX | 320 | S | 36 | 62 | 62.28 | 7 | 426007XX | 320 | S | 42 | 60 | 60.22 | 7 |
| 366810XX | 350 | S | 36 | 68 | 68.28 | 10 | 426208XX | 350 | S | 42 | 62 | 62.27 | 8 |
| 375208XX | 350 | S | 37 | 52 | 52.28 | 8 | 426510XX | 470 | N | 42 | 65 | 65.15 | 10 |
| 385007XX | 350 | S | 38 | 50 | 50.25 | 7 | 426808XX | 320 | S | 42 | 68 | 68.20 | 8 |
| 385207XX | 320 | S | 38 | 52 | 52.20 | 7 | 426810XX | 320 | S | 42 | 68 | 62.20 | 10 |
| 38X52085XX | 320 | S | 38 | 52 | 52.25 | 8.50 | 427010XX | 320 | S | 42 | 70 | 70.20 | 10 |
| 385308XX | 320 | S | 38 | 53 | 53.20 | 8 | 427208XX | 320 | S | 42 | 72 | 72.20 | 8 |

| Part Number | Style | Matl | Shaft | Bore | O.D. | Width | Part Number | Style | Matl | Shaft | Bore | O.D. | Width |
|-------------|-------|------|-------|-------|-------|-------|-------------|-------|------|-------|------|--------|-------|
| 427210XX | 320 | S | 42 | 72 | 72.27 | 10 | 507512XX | 320 | S | 50 | 75 | 75.28 | 12 |
| 428008XX | 320 | S | 42 | 80 | 80.20 | 8 | 508008XX | 350 | S | 50 | 80 | 80.28 | 8 |
| 428010XX | 350 | S | 42 | 80 | 80.20 | 10 | 508508XX | 320 | S | 50 | 85 | 85.20 | 8 |
| 435508XX | 320 | S | 43 | 55 | 55.20 | 8 | 509008XX | 320 | S | 50 | 90 | 90.20 | 8 |
| 436508XX | 320 | S | 43 | 65 | 65.20 | 8 | 509010XX | 350 | S | 50 | 90 | 90.28 | 10 |
| 446007XX | 320 | S | 44 | 60 | 60.20 | 7 | 516507XX | 470 | S | 51 | 65 | 65.10 | 7 |
| 446010XX | 350 | S | 44 | 60 | 60.20 | 10 | 526509XX | 350 | S | 52 | 65 | 65.30 | 9 |
| 446208XX↔ | 320 | S | 44 | 62 | 62.26 | 8 | 526808XX | 350 | S | 52 | 68 | 68.28 | 8 |
| 446510XX | 350 | S | 44 | 65 | 65.28 | 10 | 526910XX | 350 | S | 52 | 69 | 69.28 | 10 |
| 447008XX | 320 | S | 44 | 70 | 70.20 | 8 | 527008XX | 320 | S | 52 | 70 | 70.20 | 8 |
| 447210XX | 350 | S | 44 | 72 | 72.11 | 10 | 527208XX | 350 | S | 52 | 72 | 72.20 | 8 |
| 455807XX | 350 | S | 45 | 58 | 58.28 | 7 | 527512XX | 350 | S | 52 | 75 | 75.28 | 12 |
| 456007XX | 350 | S | 45 | 60 | 60.20 | 7 | 528010XX↔ | 320 | S | 52 | 80 | 80.28 | 10 |
| 456008XX | 350 | S | 45 | 60 | 60.20 | 8 | 528208XX | 320 | S | 52 | 82 | 82.20 | 8 |
| 456010XX | 350 | S | 45 | 60 | 60.25 | 10 | 528507XX | 320 | S | 52 | 85 | 85.20 | 8 |
| 456208XX | 350 | S | 45 | 62 | 62.30 | 8 | 546508XX | 320 | S | 54 | 65 | 65.20 | 8 |
| 456508XX | 350 | S | 45 | 65 | 65.28 | 8 | 547210XX | 320 | S | 54 | 72 | 72.25 | 10 |
| 456807XX | 320 | S | 45 | 68 | 68.28 | 7 | 547308XX | 320 | S | 54 | 73 | 73.20 | 8 |
| 457010XX | 320 | S | 45 | 70 | 70.18 | 10 | 548210XX | 320 | S | 54 | 82 | 82.35 | 10 |
| 457207XX | 350 | S | 45 | 72 | 72.28 | 7 | 548510XX | 320 | S | 54 | 85 | 85.28 | 10 |
| 457210XX | 350 | S | 45 | 72 | 72.20 | 10 | 556808XX | 320 | S | 55 | 68 | 68.28 | 8 |
| 457295XX | 320 | S | 45 | 72 | 72.25 | 10 | 557008XX | 350 | S | 55 | 70 | 70.27 | 8 |
| 457212XX | 350 | S | 45 | 72 | 72.28 | 12 | 557208XX | 350 | S | 55 | 72 | 72.25 | 8 |
| 457507XX | 320 | S | 45 | 75 | 75.20 | 7 | 55X1007X | 320 | S | 55 | 75 | 75.20 | 7 |
| 458010XX | 350 | S | 45 | 80 | 80.28 | 10 | 557508XX | 350 | S | 55 | 75 | 75.20 | 8 |
| 458510XX | 350 | S | 45 | 85 | 85.20 | 10 | 557510XX | 350 | S | 55 | 75 | 75.35 | 10 |
| 458513XX | 450 | S | 45 | 85 | 85.25 | 13 | 557810XX | 350 | S | 55 | 78 | 78.28 | 10 |
| 467008XX | 320 | S | 46 | 70 | 70.20 | 8 | 558008XX | 350 | S | 55 | 80 | 80.28 | 8 |
| 466507XX | 320 | S | 46 | 65.00 | 65.20 | 7 | 558212XX | 350 | S | 55 | 82 | 82.30 | 12 |
| 476208XX | 320 | S | 47 | 62 | 62.20 | 8 | 558510XX | 350 | S | 55 | 85 | 85.31 | 10 |
| 476508XX | 320 | S | 47 | 65 | 65.20 | 8 | 558808XX↔ | 320 | S | 55 | 88 | 88.20 | 8 |
| 476810XX | 320 | S | 47 | 68 | 68.27 | 10 | 559013XX | 350 | S | 55 | 90 | 90.28 | 13 |
| 477010XX | 320 | S | 47 | 70 | 70.20 | 10 | 55X10013X | 450 | S | 55 | 100 | 100.30 | 13 |
| 486208XX | 350 | S | 48 | 62 | 62.10 | 8 | 566810XX | 480 | N | 56 | 68 | 68.12 | 10 |
| 486309XX | 470 | S | 48 | 63 | 63.09 | 9 | 567008XX | 350 | S | 56 | 70 | 70.20 | 8 |
| 486510XX | 320 | S | 48 | 65 | 65.30 | 10 | 567207XX | 320 | S | 56 | 72 | 72.20 | 7 |
| 486810XX | 320 | N | 48 | 68 | 68.27 | 10 | 56X72115XX | 350 | S | 56 | 72 | 72.40 | 11.50 |
| 487008XX | 350 | S | 48 | 70 | 70.20 | 8 | 567507XX | 320 | S | 56 | 75 | 75.20 | 7 |
| 487009XX | 350 | S | 48 | 70 | 70.28 | 9 | 568008XX | 320 | S | 56 | 80 | 80.28 | 8 |
| 487207XX | 320 | S | 48 | 72 | 72.31 | 7 | 568208XX | 320 | S | 56 | 82 | 82.20 | 8 |
| 487510XX | 320 | S | 48 | 75 | 75.20 | 10 | 568508XX | 350 | S | 56 | 85 | 85.28 | 8 |
| 488008XX | 320 | S | 48 | 80 | 80.20 | 8 | 568808XX | 320 | S | 56 | 88 | 88.20 | 8 |
| 489010XX | 350 | S | 48 | 90 | 90.20 | 10 | 569008XX | 320 | S | 56 | 90 | 90.20 | 8 |
| 506207XX | 350 | S | 50 | 62 | 62.28 | 7 | 578513XX | 320 | S | 57 | 85 | 85.20 | 13 |
| 506508XX | 320 | S | 50 | 65 | 65.28 | 8 | 587208XX | 350 | S | 58 | 72 | 72.28 | 8 |
| 506808XX | 350 | S | 50 | 68 | 68.28 | 8 | 587511XX | 350 | S | 58 | 75 | 75.28 | 11 |
| 507008XX | 320 | S | 50 | 70 | 70.20 | 8 | 588008XX | 350 | S | 58 | 80 | 80.28 | 8 |
| 507009XX | 320 | S | 50 | 70 | 70.20 | 9 | 588513XX | 320 | S | 58 | 85 | 85.25 | 13 |
| 507208XX | 350 | S | 50 | 72 | 72.28 | 8 | 588808XX | 320 | S | 58 | 88 | 88.20 | 8 |
| 507507XX | 320 | S | 50 | 75 | 75.20 | 7 | 589010XX | 350 | S | 58 | 90 | 90.28 | 10 |

| Part Number | Style | Matl | Shaft | Bore | O.D. | Width | Part Number | Style | Matl | Shaft | Bore | O.D. | Width |
|-------------|-------|------|-------|------|--------|-------|-------------|-------|------|-------|------|--------|-------|
| 607208XX | 350 | S | 60 | 72 | 72.28 | 8 | 729010XX | 350 | S | 72 | 90 | 90.20 | 10 |
| 607508XX | 350 | S | 60 | 75 | 75.28 | 8 | 729510XX | 350 | S | 72 | 95 | 95.28 | 10 |
| 608008XX | 350 | S | 60 | 80 | 80.20 | 8 | 72X10010XX | 350 | S | 72 | 100 | 100.20 | 10 |
| 608207XX | 320 | S | 60 | 82 | 82.20 | 7 | 72X10012XX↔ | 320 | S | 72 | 100 | 100.31 | 12 |
| 608212XX | 350 | S | 60 | 82 | 82.30 | 12 | 759008XX | 320 | S | 75 | 90 | 90.20 | 8 |
| 608508XX | 350 | S | 60 | 85 | 85.28 | 8 | 759010XX | 320 | S | 75 | 90 | 90.25 | 10 |
| 608512XX | 320 | S | 60 | 85 | 85.20 | 12 | 759510XX | 350 | S | 75 | 95 | 95.28 | 10 |
| 609008XX | 320 | S | 60 | 90 | 90.25 | 8 | 75X10010XX | 320 | S | 75 | 100 | 100.20 | 10 |
| 609010XX | 350 | S | 60 | 90 | 90.27 | 10 | 75X10012XX | 320 | S | 75 | 100 | 100.27 | 12 |
| 609508XX | 320 | S | 60 | 95 | 95.20 | 8 | 75X10513XX | 320 | S | 75 | 105 | 105.27 | 13 |
| 60X10010XX↔ | 320 | N | 60 | 100 | 100.20 | 10 | 75X11012XX | 320 | S | 75 | 110 | 110.20 | 12 |
| 60X11008XX | 320 | S | 60 | 110 | 110.20 | 8 | 75X11512XX | 350 | S | 75 | 115 | 115.30 | 12 |
| 628009XX | 320 | S | 62 | 80 | 80.20 | 9 | 75X12010XX | 320 | S | 75 | 120 | 120.20 | 10 |
| 628010XX | 350 | S | 62 | 80 | 80.28 | 10 | 78X10010XX | 350 | S | 78 | 100 | 100.27 | 10 |
| 628508XX | 410 | S | 62 | 85 | 85.13 | 8 | 78X10510XX | 320 | S | 78 | 105 | 105.20 | 10 |
| 629010XX | 350 | S | 62 | 90 | 90.28 | 10 | 78X11510XX | 320 | S | 78 | 115 | 115.20 | 10 |
| 62X10007XX | 320 | S | 62 | 100 | 100.30 | 7 | 80X10010XX | 350 | S | 80 | 100 | 100.20 | 10 |
| 638510XX | 320 | S | 63 | 85 | 85.28 | 10 | 80X10510XX | 320 | S | 80 | 105 | 105.20 | 10 |
| 639010XX | 320 | S | 63 | 90 | 90.14 | 10 | 80X10513XX | 480 | S | 80 | 105 | 105.27 | 13 |
| 648008XX | 320 | S | 64 | 80 | 80.28 | 8 | 80X11010XX | 320 | S | 80 | 110 | 110.28 | 10 |
| 658008XX | 320 | S | 65 | 80 | 80.28 | 8 | 80X11012XX | 350 | S | 80 | 110 | 110.28 | 12 |
| 658508XX | 350 | S | 65 | 85 | 85.20 | 8 | 80X12010XX | 320 | S | 80 | 120 | 120.20 | 10 |
| 658510XX | 350 | S | 65 | 85 | 85.27 | 10 | 80X12013XX | 320 | S | 80 | 120 | 120.28 | 13 |
| 658808XX | 350 | S | 65 | 88 | 88.20 | 8 | 80X12013XX | 320 | S | 82 | 105 | 105.25 | 13 |
| 658810XX | 320 | S | 65 | 88 | 88.20 | 10 | 85X10510XX | 320 | S | 85 | 105 | 105.28 | 10 |
| 659007XX | 320 | S | 65 | 90 | 90.20 | 7 | 85X10513XX | 320 | S | 85 | 105 | 105.28 | 13 |
| 659010XX | 350 | S | 65 | 90 | 90.28 | 10 | 85X11010XX | 350 | S | 85 | 110 | 110.20 | 10 |
| 659013XX | 350 | S | 65 | 90 | 90.20 | 13 | 85X11012XX | 350 | S | 85 | 110 | 110.28 | 12 |
| 65X10007XX | 320 | S | 65 | 100 | 100.30 | 7 | 85X11513XX | 350 | S | 85 | 115 | 115.00 | 13 |
| 65X10010XX | 350 | S | 65 | 100 | 100.28 | 10 | 85X12012XX | 320 | S | 85 | 120 | 120.28 | 12 |
| 688207XX | 350 | S | 68 | 82 | 82.20 | 7 | 85X12512XX | 320 | S | 85 | 125 | 125.20 | 12 |
| 688508XX | 350 | S | 68 | 85 | 85.20 | 8 | 85X13013XX | 480 | S | 85 | 130 | 130.15 | 13 |
| 689007XX | 320 | S | 68 | 90 | 90.20 | 7 | 88X11012XX | 350 | S | 88 | 110 | 110.28 | 12 |
| 689010XX | 350 | S | 68 | 90 | 90.32 | 10 | 90X11012XX | 350 | S | 90 | 110 | 110.20 | 12 |
| 689510XX | 350 | S | 68 | 95 | 95.20 | 10 | 90X11512XX | 320 | S | 90 | 115 | 115.20 | 12 |
| 68X10010XX | 350 | S | 68 | 100 | 100.20 | 10 | 90X12012XX | 320 | S | 90 | 120 | 120.28 | 12 |
| 68X10013XX | 350 | S | 68 | 100 | 100.28 | 13 | 90X12507XX | 320 | S | 90 | 125 | 125.70 | 7 |
| 708508XX | 350 | S | 70 | 85 | 85.28 | 8 | 90X12513XX | 320 | S | 90 | 125 | 125.30 | 13 |
| 708808XX | 480 | S | 70 | 88 | 88.25 | 8 | 90X14514XX | 320 | S | 90 | 145 | 145.20 | 14 |
| 708812XX | 320 | S | 70 | 88 | 88.25 | 12 | 92X12013XX | 350 | S | 92 | 120 | 120.24 | 13 |
| 709007XX | 320 | S | 70 | 90 | 90.20 | 7 | 95X11010XX | 320 | S | 95 | 110 | 110.20 | 10 |
| 709010XX | 350 | S | 70 | 90 | 90.32 | 10 | 95X11512XX | 350 | S | 95 | 115 | 115.28 | 12 |
| 709212XX | 320 | S | 70 | 92 | 92.20 | 12 | 95X12012XX | 350 | S | 95 | 120 | 120.28 | 12 |
| 709510XX | 350 | S | 70 | 95 | 95.28 | 10 | 95X12512XX | 350 | S | 95 | 125 | 125.28 | 12 |
| 709513XX | 350 | S | 70 | 95 | 95.28 | 13 | 95X13012XX | 350 | S | 95 | 130 | 130.28 | 12 |
| 70X10010XX | 320 | S | 70 | 100 | 100.20 | 10 | 98X12013XX | 350 | S | 98 | 120 | 120.20 | 13 |
| 70X10013XX | 350 | S | 70 | 100 | 100.28 | 13 | 10X012010XX | 350 | S | 100 | 120 | 120.30 | 10 |
| 70X10507XX | 320 | S | 70 | 105 | 105.30 | 7 | 10X012012XX | 350 | S | 100 | 120 | 120.28 | 12 |
| 70X10513XX | 350 | S | 70 | 105 | 105.20 | 13 | 10X012512XX | 350 | S | 100 | 125 | 125.28 | 12 |
| 70X11010XX | 350 | S | 70 | 110 | 110.20 | 10 | 10X013012XX | 350 | S | 100 | 130 | 130.28 | 12 |

| Part Number | Style | Matl | Shaft | Bore | O.D. | Width | Part Number | Style | Matl | Shaft | Bore | O.D. | Width |
|--------------|-------|------|-------|------|--------|-------|-------------|-------|------|-------|------|--------|-------|
| 10X213013XX | 350 | S | 102 | 130 | 130.28 | 13 | 16X018510XX | 350 | S | 160 | 185 | 185.35 | 10 |
| 10X512513XX | 320 | S | 105 | 125 | 125.28 | 13 | 16X019015XX | 350 | S | 160 | 190 | 190.35 | 15 |
| 10X513012XX | 350 | S | 105 | 130 | 130.28 | 12 | 16X020012XX | 320 | S | 160 | 200 | 200.20 | 12 |
| 10X514012XX | 350 | S | 105 | 140 | 140.28 | 12 | 16X020015XX | 320 | S | 160 | 200 | 200.20 | 15 |
| 11X013012XX | 350 | S | 110 | 130 | 130.28 | 12 | 17X020015XX | 350 | S | 170 | 200 | 200.35 | 15 |
| 11X013513XX | 320 | S | 110 | 135 | 135.30 | 13 | 17X021015XX | 320 | S | 170 | 210 | 210.20 | 15 |
| 11X014012XX | 320 | S | 110 | 140 | 140.28 | 12 | 17X520015XX | 320 | S | 175 | 200 | 200.35 | 15 |
| 11X014013XX | 450 | S | 110 | 140 | 140.23 | 13 | 18X021015XX | 350 | S | 180 | 210 | 210.35 | 15 |
| 11X014513XX | 350 | S | 110 | 145 | 145.30 | 13 | 18X512013XX | 350 | S | 185 | 210 | 210.35 | 13 |
| 11X015015XX | 350 | S | 110 | 150 | 150.28 | 15 | 19X022016XX | 350 | S | 190 | 220 | 220.35 | 16 |
| 11X2140013XX | 350 | S | 112 | 140 | 140.32 | 13 | 19X023016XX | 320 | S | 190 | 230 | 230.20 | 16 |
| 11X414013XX | 350 | S | 114 | 140 | 140.28 | 13 | 20X023015XX | 450 | S | 200 | 230 | 230.35 | 15 |
| 11X514012XX | 350 | S | 115 | 140 | 140.28 | 12 | 21X024015XX | 350 | S | 210 | 240 | 240.35 | 15 |
| 11X514513XX | 350 | S | 115 | 145 | 145.30 | 13 | 21X025015XX | 320 | S | 210 | 250 | 250.20 | 15 |
| 11X514514XX | 320 | S | 115 | 145 | 145.20 | 14 | 22X025015XX | 350 | S | 220 | 250 | 250.35 | 15 |
| 11X515012XX | 350 | S | 115 | 150 | 150.28 | 12 | 23X026015XX | 350 | S | 230 | 260 | 260.35 | 15 |
| 12X014013XX | 350 | S | 120 | 140 | 140.28 | 13 | 24X027015XX | 350 | S | 240 | 270 | 270.35 | 15 |
| 12X014512XX | 350 | S | 120 | 145 | 145.28 | 12 | 24X028016XX | 320 | S | 240 | 280 | 280.20 | 16 |
| 12X015012XX | 350 | S | 120 | 150 | 150.28 | 12 | 28X032020XX | 320 | S | 280 | 320 | 320.45 | 20 |
| 12X016012XX | 350 | S | 120 | 160 | 160.28 | 12 | 30X034020XX | 320 | S | 300 | 340 | 340.45 | 20 |
| 12X515012XX | 320 | S | 125 | 150 | 150.28 | 12 | | | | | | | |
| 12X515512XX | 320 | S | 125 | 155 | 155.20 | 12 | | | | | | | |
| 12X516012XX | 350 | S | 125 | 160 | 160.28 | 12 | | | | | | | |
| 12X517015XX | 320 | S | 125 | 170 | 170.20 | 15 | | | | | | | |
| *12X815015XX | 350 | S | 128 | 150 | 150.28 | 15 | | | | | | | |
| 13X015010XX | 470 | S | 130 | 150 | 150.10 | 10 | | | | | | | |
| 13X016012XX | 350 | S | 130 | 160 | 160.28 | 12 | | | | | | | |
| 13X016015XX | 320 | S | 130 | 160 | 160.20 | 15 | | | | | | | |
| 13X017012XX | 350 | S | 130 | 170 | 170.30 | 12 | | | | | | | |
| 13X017015XX | 350 | S | 130 | 170 | 170.28 | 15 | | | | | | | |
| 13X516013XX | 350 | S | 135 | 160 | 160.38 | 13 | | | | | | | |
| 13X517012XX | 350 | S | 135 | 170 | 170.38 | 12 | | | | | | | |
| 13X815212XX | 470 | S | 138 | 152 | 152.10 | 12 | | | | | | | |
| 14X016012XX | 320 | S | 140 | 160 | 160.20 | 12 | | | | | | | |
| 14X016013XX | 350 | S | 140 | 160 | 160.27 | 13 | | | | | | | |
| 14X017012XX | 320 | S | 140 | 170 | 170.30 | 12 | | | | | | | |
| 14X017015XX | 350 | S | 140 | 170 | 170.43 | 15 | | | | | | | |
| 14X018012XX | 350 | S | 140 | 180 | 180.30 | 12 | | | | | | | |
| 14X018018XX | 320 | S | 140 | 180 | 180.38 | 18 | | | | | | | |
| 14X416012XX | 350 | S | 144 | 160 | 160.25 | 12 | | | | | | | |
| 14X516414XX | 470 | S | 145 | 164 | 164.10 | 14 | | | | | | | |
| 14X517012XX | 350 | S | 145 | 170 | 170.45 | 12 | | | | | | | |
| 14X517515XX | 350 | S | 145 | 175 | 175.38 | 15 | | | | | | | |
| 14X518012XX | 350 | S | 145 | 180 | 180.28 | 12 | | | | | | | |
| 14X518012XX | 350 | S | 145 | 180 | 180.28 | 12 | | | | | | | |
| 14X817015XX | 350 | S | 148 | 170 | 170.28 | 15 | | | | | | | |
| 14X817015XX | 350 | S | 148 | 170 | 170.28 | 15 | | | | | | | |
| 15X018012XX | 350 | S | 150 | 180 | 180.35 | 12 | | | | | | | |
| 15X018015XX | 350 | S | 150 | 180 | 180.35 | 15 | | | | | | | |
| 15X518015XX | 320 | S | 155 | 180 | 180.23 | 15 | | | | | | | |

Styles VS1, VS3, & VS4

Style VS2

| Part Number | Style | Matl | Shaft Diameter Range* (d1) | | Shaft/mm (d1) | Width on Shaft (A) | Overall Width (B) | Fitted Width (B1) | Width Tolerance (+/-) | Height (C) |
|-------------|-------|------|----------------------------|------|---------------|--------------------|-------------------|-------------------|-----------------------|------------|
| 800030 | VS1 | S | 0.11 | 0.14 | 3 | 0.08 | 0.12 | 0.10 | 0.012 | 0.06 |
| 800034 | VS1 | V | 0.11 | 0.14 | 3 | 0.08 | 0.12 | 0.10 | 0.012 | 0.06 |
| 800040 | VS1 | S | 0.14 | 0.18 | 4 | 0.09 | 0.15 | 0.12 | 0.016 | 0.08 |
| 800044 | VS1 | V | 0.14 | 0.18 | 4 | 0.09 | 0.15 | 0.12 | 0.016 | 0.08 |
| 800050 | VS1 | S | 0.18 | 0.21 | 5 | 0.09 | 0.15 | 0.12 | 0.016 | 0.08 |
| 800051 | VS2 | S | 0.18 | 0.21 | 5 | 0.15 | 0.21 | 0.18 | 0.016 | 0.08 |
| 800054 | VS1 | V | 0.18 | 0.21 | 5 | 0.09 | 0.15 | 0.12 | 0.016 | 0.08 |
| 800055 | VS2 | V | 0.18 | 0.21 | 5 | 0.15 | 0.21 | 0.18 | 0.016 | 0.08 |
| 800060 | VS1 | S | 0.21 | 0.26 | 6 | 0.09 | 0.15 | 0.12 | 0.016 | 0.08 |
| 800061 | VS2 | S | 0.21 | 0.26 | 6 | 0.15 | 0.21 | 0.18 | 0.016 | 0.08 |
| 800064 | VS1 | V | 0.21 | 0.26 | 6 | 0.09 | 0.15 | 0.12 | 0.016 | 0.08 |
| 800065 | VS2 | V | 0.21 | 0.26 | 6 | 0.15 | 0.21 | 0.18 | 0.016 | 0.08 |
| 800070 | VS1 | S | 0.26 | 0.31 | 7 | 0.09 | 0.15 | 0.12 | 0.016 | 0.08 |
| 800071 | VS2 | S | 0.26 | 0.31 | 7 | 0.15 | 0.21 | 0.18 | 0.016 | 0.08 |
| 800074 | VS1 | V | 0.26 | 0.31 | 7 | 0.09 | 0.15 | 0.12 | 0.016 | 0.08 |
| 800075 | VS2 | V | 0.26 | 0.31 | 7 | 0.15 | 0.21 | 0.18 | 0.016 | 0.08 |
| 800080 | VS1 | S | 0.31 | 0.37 | 8 | 0.09 | 0.15 | 0.12 | 0.016 | 0.08 |
| 800081 | VS2 | S | 0.31 | 0.37 | 8 | 0.15 | 0.21 | 0.18 | 0.016 | 0.08 |
| 800084 | VS1 | V | 0.31 | 0.37 | 8 | 0.09 | 0.15 | 0.12 | 0.016 | 0.08 |
| 800085 | VS2 | V | 0.31 | 0.37 | 8 | 0.15 | 0.21 | 0.18 | 0.016 | 0.08 |
| 800100 | VS1 | S | 0.37 | 0.45 | 10 | 0.13 | 0.22 | 0.18 | 0.020 | 0.12 |
| 800101 | VS2 | S | 0.37 | 0.45 | 10 | 0.22 | 0.30 | 0.26 | 0.020 | 0.12 |
| 800104 | VS1 | V | 0.37 | 0.45 | 10 | 0.13 | 0.22 | 0.18 | 0.020 | 0.12 |
| 800105 | VS2 | V | 0.37 | 0.45 | 10 | 0.22 | 0.30 | 0.26 | 0.020 | 0.12 |
| 800120 | VS1 | S | 0.45 | 0.49 | 12 | 0.13 | 0.22 | 0.18 | 0.020 | 0.12 |
| 800121 | VS2 | S | 0.45 | 0.49 | 12 | 0.22 | 0.30 | 0.26 | 0.020 | 0.12 |
| 800124 | VS1 | V | 0.45 | 0.49 | 12 | 0.13 | 0.22 | 0.18 | 0.020 | 0.12 |
| 800125 | VS2 | V | 0.45 | 0.49 | 12 | 0.22 | 0.30 | 0.26 | 0.020 | 0.12 |
| 800130 | VS1 | S | 0.49 | 0.53 | 13 | 0.13 | 0.22 | 0.18 | 0.020 | 0.12 |
| 800134 | VS1 | V | 0.49 | 0.53 | 13 | 0.13 | 0.22 | 0.18 | 0.020 | 0.12 |

* Select the larger V-Seal when the dimension d1 is on the boundary between two sizes of V-Seals

| Part Number | Style | Matl | Shaft Diameter Range* (d1) | | Shaft/mm (d1) | Width on Shaft (A) | Overall Width (B) | Fitted Width (B1) | Width Tolerance (+/-) | Height (C) |
|-------------|-------|------|----------------------------|------|---------------|--------------------|-------------------|-------------------|-----------------------|------------|
| 800140 | VS1 | S | 0.53 | 0.61 | 14 | 0.13 | 0.22 | 0.18 | 0.020 | 0.12 |
| 800141 | VS2 | S | 0.53 | 0.61 | 14 | 0.22 | 0.30 | 0.26 | 0.020 | 0.12 |
| 800144 | VS1 | V | 0.53 | 0.61 | 14 | 0.13 | 0.22 | 0.18 | 0.020 | 0.12 |
| 800145 | VS2 | V | 0.53 | 0.61 | 14 | 0.22 | 0.30 | 0.26 | 0.020 | 0.12 |
| 800160 | VS1 | S | 0.61 | 0.69 | 16 | 0.13 | 0.22 | 0.18 | 0.020 | 0.12 |
| 800161 | VS2 | S | 0.61 | 0.69 | 16 | 0.22 | 0.30 | 0.26 | 0.020 | 0.12 |
| 800164 | VS1 | V | 0.61 | 0.69 | 16 | 0.13 | 0.22 | 0.18 | 0.020 | 0.12 |
| 800165 | VS2 | V | 0.61 | 0.69 | 16 | 0.22 | 0.30 | 0.26 | 0.020 | 0.12 |
| 800180 | VS1 | S | 0.69 | 0.75 | 18 | 0.13 | 0.22 | 0.18 | 0.020 | 0.12 |
| 800181 | VS2 | S | 0.69 | 0.75 | 18 | 0.22 | 0.30 | 0.26 | 0.020 | 0.12 |
| 800184 | VS1 | V | 0.69 | 0.75 | 18 | 0.13 | 0.22 | 0.18 | 0.020 | 0.12 |
| 800185 | VS2 | V | 0.69 | 0.75 | 18 | 0.22 | 0.30 | 0.26 | 0.020 | 0.12 |
| 800200 | VS1 | S | 0.75 | 0.83 | 20 | 0.18 | 0.30 | 0.24 | 0.030 | 0.16 |
| 800201 | VS2 | S | 0.75 | 0.83 | 20 | 0.31 | 0.41 | 0.35 | 0.030 | 0.16 |
| 800204 | VS1 | V | 0.75 | 0.83 | 20 | 0.18 | 0.30 | 0.24 | 0.030 | 0.16 |
| 800205 | VS2 | V | 0.75 | 0.83 | 20 | 0.31 | 0.41 | 0.35 | 0.030 | 0.16 |
| 800220 | VS1 | S | 0.83 | 0.95 | 22 | 0.18 | 0.30 | 0.24 | 0.030 | 0.16 |
| 800221 | VS2 | S | 0.83 | 0.95 | 22 | 0.31 | 0.41 | 0.35 | 0.030 | 0.16 |
| 800224 | VS1 | V | 0.83 | 0.95 | 22 | 0.18 | 0.30 | 0.24 | 0.030 | 0.16 |
| 800225 | VS2 | V | 0.93 | 0.95 | 22 | 0.31 | 0.41 | 0.35 | 0.030 | 0.16 |
| 800250 | VS1 | S | 0.95 | 1.07 | 25 | 0.18 | 0.30 | 0.24 | 0.030 | 0.16 |
| 800251 | VS2 | S | 0.96 | 1.07 | 25 | 0.31 | 0.41 | 0.35 | 0.030 | 0.16 |
| 800254 | VS1 | V | 0.95 | 1.07 | 25 | 0.18 | 0.30 | 0.24 | 0.030 | 0.16 |
| 800255 | VS2 | V | 0.95 | 1.07 | 25 | 0.31 | 0.41 | 0.35 | 0.030 | 0.16 |
| 800280 | VS1 | S | 1.07 | 1.14 | 28 | 0.18 | 0.30 | 0.24 | 0.030 | 0.16 |
| 800281 | VS2 | S | 1.07 | 1.14 | 28 | 0.31 | 0.41 | 0.35 | 0.030 | 0.16 |
| 800284 | VS1 | V | 1.07 | 1.14 | 28 | 0.18 | 0.30 | 0.24 | 0.030 | 0.16 |
| 800285 | VS2 | V | 1.07 | 1.14 | 28 | 0.31 | 0.41 | 0.35 | 0.030 | 0.16 |
| 800300 | VS1 | S | 1.14 | 1.22 | 30 | 0.18 | 0.30 | 0.24 | 0.030 | 0.16 |
| 800301 | VS2 | S | 1.14 | 1.22 | 30 | 0.31 | 0.41 | 0.35 | 0.030 | 0.16 |
| 800304 | VS1 | V | 1.14 | 1.22 | 30 | 0.18 | 0.30 | 0.24 | 0.030 | 0.16 |
| 800305 | VS2 | V | 1.14 | 1.22 | 30 | 0.31 | 0.41 | 0.35 | 0.030 | 0.16 |
| 800320 | VS1 | S | 1.22 | 1.30 | 32 | 0.18 | 0.30 | 0.24 | 0.030 | 0.16 |
| 800321 | VS2 | S | 1.22 | 1.30 | 32 | 0.31 | 0.41 | 0.35 | 0.030 | 0.16 |
| 800324 | VS1 | V | 1.22 | 1.30 | 32 | 0.18 | 0.30 | 0.24 | 0.030 | 0.16 |
| 800325 | VS2 | V | 1.22 | 1.30 | 32 | 0.31 | 0.41 | 0.35 | 0.030 | 0.16 |
| 800350 | VS1 | S | 1.30 | 1.42 | 35 | 0.18 | 0.30 | 0.24 | 0.030 | 0.16 |
| 800351 | VS2 | S | 1.30 | 1.42 | 35 | 0.31 | 0.41 | 0.35 | 0.030 | 0.16 |
| 800354 | VS1 | V | 1.30 | 1.42 | 35 | 0.18 | 0.30 | 0.24 | 0.030 | 0.16 |
| 800355 | VS2 | V | 1.30 | 1.42 | 36 | 0.31 | 0.41 | 0.35 | 0.030 | 0.16 |
| 800380 | VS1 | S | 1.42 | 1.50 | 38 | 0.18 | 0.30 | 0.24 | 0.030 | 0.16 |
| 800381 | VS2 | S | 1.42 | 1.50 | 38 | 0.31 | 0.41 | 0.35 | 0.030 | 0.16 |
| 800384 | VS1 | V | 1.42 | 1.50 | 38 | 0.18 | 0.30 | 0.24 | 0.030 | 0.16 |
| 800385 | VS2 | V | 1.42 | 1.50 | 38 | 0.31 | 0.41 | 0.35 | 0.030 | 0.16 |
| 800400 | VS1 | S | 1.50 | 1.70 | 40 | 0.21 | 0.35 | 0.28 | 0.040 | 0.20 |
| 800401 | VS2 | S | 1.50 | 1.70 | 40 | 0.37 | 0.51 | 0.43 | 0.040 | 0.20 |
| 800404 | VS1 | V | 1.50 | 1.70 | 40 | 0.21 | 0.35 | 0.28 | 0.040 | 0.20 |
| 800405 | VS2 | V | 1.50 | 1.70 | 40 | 0.37 | 0.51 | 0.43 | 0.040 | 0.20 |
| 800450 | VS1 | S | 1.70 | 1.89 | 45 | 0.21 | 0.35 | 0.28 | 0.040 | 0.20 |
| 800451 | VS2 | S | 1.70 | 1.89 | 45 | 0.37 | 0.51 | 0.43 | 0.040 | 0.20 |

Styles VS1, VS3, & VS4

Style VS2

| Part Number | Style | Matl | Shaft Diameter Range* (d1) | | Shaft/mm (d1) | Width on Shaft (A) | Overall Width (B) | Fitted Width (B1) | Width Tolerance (+/-) | Height (C) |
|-------------|-------|------|----------------------------|------|---------------|--------------------|-------------------|-------------------|-----------------------|------------|
| 800454 | VS1 | V | 1.70 | 1.89 | 45 | 0.21 | 0.35 | 0.28 | 0.040 | 0.20 |
| 800455 | VS2 | V | 1.70 | 1.89 | 45 | 0.37 | 0.51 | 0.43 | 0.040 | 0.20 |
| 800500 | VS1 | S | 1.89 | 2.09 | 50 | 0.21 | 0.35 | 0.28 | 0.040 | 0.20 |
| 800501 | VS2 | S | 1.89 | 2.09 | 50 | 0.37 | 0.51 | 0.43 | 0.040 | 0.20 |
| 800504 | VS1 | V | 1.89 | 2.09 | 50 | 0.21 | 0.35 | 0.28 | 0.040 | 0.20 |
| 800505 | VS2 | V | 1.89 | 2.09 | 50 | 0.37 | 0.51 | 0.43 | 0.040 | 0.20 |
| 800550 | VS1 | S | 2.09 | 2.29 | 55 | 0.21 | 0.35 | 0.28 | 0.040 | 0.20 |
| 800551 | VS2 | S | 2.09 | 2.29 | 55 | 0.37 | 0.51 | 0.43 | 0.040 | 0.20 |
| 800554 | VS1 | V | 2.09 | 2.29 | 55 | 0.21 | 0.35 | 0.28 | 0.040 | 0.20 |
| 800555 | VS2 | V | 2.09 | 2.29 | 55 | 0.37 | 0.51 | 0.43 | 0.040 | 0.20 |
| 800600 | VS1 | S | 2.29 | 2.48 | 60 | 0.21 | 0.35 | 0.28 | 0.040 | 0.20 |
| 800601 | VS2 | S | 2.29 | 2.48 | 60 | 0.37 | 0.51 | 0.43 | 0.040 | 0.20 |
| 800604 | VS1 | V | 2.29 | 2.48 | 60 | 0.21 | 0.35 | 0.28 | 0.040 | 0.20 |
| 800605 | VS2 | V | 2.29 | 2.48 | 60 | 0.37 | 0.51 | 0.43 | 0.040 | 0.20 |
| 800650 | VS1 | S | 2.48 | 2.68 | 65 | 0.21 | 0.35 | 0.28 | 0.040 | 0.20 |
| 800651 | VS2 | S | 2.48 | 2.68 | 65 | 0.37 | 0.51 | 0.43 | 0.040 | 0.20 |
| 800654 | VS1 | V | 2.48 | 2.68 | 65 | 0.21 | 0.35 | 0.28 | 0.040 | 0.20 |
| 800655 | VS2 | V | 2.48 | 2.68 | 65 | 0.37 | 0.51 | 0.43 | 0.040 | 0.20 |
| 800700 | VS1 | S | 2.68 | 2.88 | 70 | 0.26 | 0.43 | 0.35 | 0.050 | 0.24 |
| 800701 | VS2 | S | 2.68 | 2.88 | 70 | 0.44 | 0.61 | 0.53 | 0.050 | 0.24 |
| 800704 | VS1 | V | 2.68 | 2.88 | 70 | 0.26 | 0.43 | 0.35 | 0.050 | 0.24 |
| 800705 | VS2 | V | 2.68 | 2.88 | 70 | 0.44 | 0.61 | 0.53 | 0.050 | 0.24 |
| 800750 | VS1 | S | 2.88 | 3.07 | 75 | 0.26 | 0.43 | 0.35 | 0.050 | 0.24 |
| 800751 | VS2 | S | 2.88 | 3.07 | 75 | 0.44 | 0.61 | 0.53 | 0.050 | 0.24 |
| 800754 | VS1 | V | 2.88 | 3.07 | 75 | 0.26 | 0.43 | 0.35 | 0.050 | 0.24 |
| 800755 | VS2 | V | 2.88 | 3.07 | 75 | 0.44 | 0.61 | 0.53 | 0.050 | 0.24 |
| 800800 | VS1 | S | 3.07 | 3.27 | 80 | 0.26 | 0.43 | 0.35 | 0.050 | 0.24 |
| 800801 | VS2 | S | 3.07 | 3.27 | 80 | 0.44 | 0.61 | 0.53 | 0.050 | 0.24 |
| 800804 | VS1 | V | 3.07 | 3.27 | 80 | 0.26 | 0.43 | 0.35 | 0.050 | 0.24 |
| 800805 | VS2 | V | 3.07 | 3.27 | 80 | 0.44 | 0.61 | 0.53 | 0.050 | 0.24 |

* Select the larger V-Seal when the dimension d1 is on the boundary between two sizes of V-Seals

| Part Number | Style | Matl | Shaft Diameter Range* (d1) | | Shaft/mm (d1) | Width on Shaft (A) | Overall Width (B) | Fitted Width (B1) | Width Tolerance (+/-) | Height (C) |
|-------------|-------|------|----------------------------|------|---------------|--------------------|-------------------|-------------------|-----------------------|------------|
| 800850 | VS1 | S | 3.27 | 3.47 | 85 | 0.26 | 0.43 | 0.35 | 0.050 | 0.24 |
| 800851 | VS2 | S | 3.27 | 3.47 | 85 | 0.44 | 0.61 | 0.53 | 0.050 | 0.24 |
| 800854 | VS1 | V | 3.27 | 3.47 | 85 | 0.26 | 0.43 | 0.35 | 0.050 | 0.24 |
| 800855 | VS2 | V | 3.27 | 3.47 | 85 | 0.44 | 0.61 | 0.53 | 0.050 | 0.24 |
| 800900 | VS1 | S | 3.47 | 3.66 | 90 | 0.26 | 0.43 | 0.35 | 0.050 | 0.24 |
| 800901 | VS2 | S | 3.47 | 3.66 | 90 | 0.44 | 0.61 | 0.53 | 0.050 | 0.24 |
| 800904 | VS1 | V | 3.47 | 3.66 | 90 | 0.26 | 0.43 | 0.35 | 0.050 | 0.24 |
| 800905 | VS2 | V | 3.47 | 3.66 | 90 | 0.44 | 0.61 | 0.53 | 0.050 | 0.24 |
| 800950 | VS1 | S | 3.66 | 3.86 | 95 | 0.26 | 0.43 | 0.35 | 0.050 | 0.24 |
| 800951 | VS2 | S | 3.66 | 3.86 | 95 | 0.44 | 0.61 | 0.53 | 0.050 | 0.24 |
| 800954 | VS1 | V | 3.66 | 3.86 | 95 | 0.26 | 0.43 | 0.35 | 0.050 | 0.24 |
| 800955 | VS2 | V | 3.66 | 3.86 | 95 | 0.44 | 0.61 | 0.53 | 0.050 | 0.24 |
| 801000 | VS1 | S | 3.86 | 4.14 | 100 | 0.26 | 0.43 | 0.35 | 0.050 | 0.24 |
| 801001 | VS2 | S | 3.86 | 4.14 | 100 | 0.44 | 0.61 | 0.53 | 0.050 | 0.24 |
| 801004 | VS1 | V | 3.86 | 4.14 | 100 | 0.26 | 0.43 | 0.35 | 0.050 | 0.24 |
| 801005 | VS2 | V | 3.86 | 4.14 | 100 | 0.44 | 0.61 | 0.53 | 0.050 | 0.24 |
| 801100 | VS1 | S | 4.14 | 4.53 | 110 | 0.31 | 0.50 | 0.41 | 0.060 | 0.28 |
| 801101 | VS2 | S | 4.14 | 4.53 | 110 | 0.52 | 0.71 | 0.61 | 0.060 | 0.28 |
| 801104 | VS1 | V | 4.14 | 4.53 | 110 | 0.31 | 0.50 | 0.41 | 0.060 | 0.28 |
| 801105 | VS2 | V | 4.14 | 4.53 | 110 | 0.52 | 0.71 | 0.61 | 0.060 | 0.28 |
| 801200 | VS1 | S | 4.53 | 4.92 | 120 | 0.31 | 0.50 | 0.41 | 0.060 | 0.28 |
| 801201 | VS2 | S | 4.53 | 4.92 | 120 | 0.52 | 0.71 | 0.61 | 0.060 | 0.28 |
| 801204 | VS1 | V | 4.53 | 4.92 | 120 | 0.31 | 0.50 | 0.41 | 0.060 | 0.28 |
| 801205 | VS2 | V | 4.53 | 4.92 | 120 | 0.52 | 0.71 | 0.61 | 0.060 | 0.28 |
| 801300 | VS1 | S | 4.92 | 5.32 | 130 | 0.31 | 0.50 | 0.41 | 0.060 | 0.28 |
| 801301 | VS2 | S | 4.92 | 5.32 | 130 | 0.52 | 0.71 | 0.61 | 0.060 | 0.28 |
| 801304 | VS1 | V | 4.92 | 5.32 | 130 | 0.31 | 0.50 | 0.41 | 0.060 | 0.28 |
| 801305 | VS2 | V | 4.92 | 5.32 | 130 | 0.52 | 0.71 | 0.61 | 0.060 | 0.28 |
| 801400 | VS1 | S | 5.32 | 5.71 | 140 | 0.31 | 0.50 | 0.41 | 0.060 | 0.28 |
| 801401 | VS2 | S | 5.32 | 5.71 | 140 | 0.52 | 0.71 | 0.61 | 0.060 | 0.28 |
| 801402 | VS3 | S | 5.32 | 5.71 | 140 | 0.24 | 0.41 | 0.31 | 0.060 | 0.26 |
| 801404 | VS1 | V | 5.32 | 5.71 | 140 | 0.31 | 0.50 | 0.41 | 0.060 | 0.28 |
| 801405 | VS2 | V | 5.32 | 5.71 | 140 | 0.52 | 0.71 | 0.61 | 0.060 | 0.28 |
| 801406 | VS3 | V | 5.32 | 5.71 | 140 | 0.24 | 0.41 | 0.31 | 0.060 | 0.26 |
| 801500 | VS1 | S | 5.71 | 6.10 | 150 | 0.31 | 0.50 | 0.41 | 0.060 | 0.28 |
| 801501 | VS2 | S | 5.71 | 6.10 | 150 | 0.52 | 0.71 | 0.61 | 0.060 | 0.28 |
| 801502 | VS3 | S | 5.71 | 6.10 | 150 | 0.24 | 0.41 | 0.31 | 0.060 | 0.26 |
| 801504 | VS1 | V | 5.71 | 6.10 | 150 | 0.31 | 0.50 | 0.41 | 0.060 | 0.28 |
| 801505 | VS2 | V | 5.71 | 6.10 | 150 | 0.52 | 0.71 | 0.61 | 0.060 | 0.28 |
| 801506 | VS3 | V | 5.71 | 6.10 | 150 | 0.24 | 0.41 | 0.31 | 0.060 | 0.26 |
| 801600 | VS1 | S | 6.10 | 6.50 | 160 | 0.35 | 0.57 | 0.47 | 0.070 | 0.32 |
| 801601 | VS2 | S | 6.10 | 6.50 | 160 | 0.59 | 0.81 | 0.71 | 0.070 | 0.32 |
| 801602 | VS3 | S | 6.10 | 6.50 | 160 | 0.24 | 0.41 | 0.31 | 0.060 | 0.26 |
| 801604 | VS1 | V | 6.10 | 6.50 | 160 | 0.35 | 0.57 | 0.47 | 0.070 | 0.32 |
| 801605 | VS2 | V | 6.10 | 6.50 | 160 | 0.59 | 0.81 | 0.71 | 0.070 | 0.32 |
| 801606 | VS3 | V | 6.10 | 6.50 | 160 | 0.24 | 0.41 | 0.31 | 0.060 | 0.26 |
| 801700 | VS1 | S | 6.50 | 6.89 | 170 | 0.35 | 0.57 | 0.47 | 0.070 | 0.32 |
| 801701 | VS2 | S | 6.50 | 6.89 | 170 | 0.59 | 0.81 | 0.71 | 0.070 | 0.32 |
| 801702 | VS3 | S | 6.50 | 6.89 | 170 | 0.24 | 0.41 | 0.31 | 0.060 | 0.26 |
| 801704 | VS1 | V | 6.50 | 6.89 | 170 | 0.35 | 0.57 | 0.47 | 0.070 | 0.32 |

Styles VS1, VS3, & VS4

Style VS2

| Part Number | Style | Matl | Shaft Diameter Range* (d1) | | Shaft/mm (d1) | Width on Shaft (A) | Overall Width (B) | Fitted Width (B1) | Width Tolerance (+/-) | Height (C) |
|-------------|-------|------|----------------------------|-------|---------------|--------------------|-------------------|-------------------|-----------------------|------------|
| 801705 | VS2 | V | 6.50 | 6.89 | 170 | 0.59 | 0.81 | 0.71 | 0.070 | 0.32 |
| 801706 | VS3 | V | 6.50 | 6.89 | 170 | 0.24 | 0.41 | 0.31 | 0.060 | 0.26 |
| 801800 | VS1 | S | 6.89 | 7.29 | 180 | 0.35 | 0.57 | 0.47 | 0.070 | 0.32 |
| 801801 | VS2 | S | 6.89 | 7.29 | 180 | 0.59 | 0.81 | 0.71 | 0.070 | 0.32 |
| 801802 | VS3 | S | 6.89 | 7.29 | 180 | 0.24 | 0.41 | 0.31 | 0.060 | 0.26 |
| 801804 | VS1 | V | 6.89 | 7.29 | 180 | 0.35 | 0.57 | 0.47 | 0.070 | 0.32 |
| 801805 | VS2 | V | 6.89 | 7.29 | 180 | 0.59 | 0.81 | 0.71 | 0.070 | 0.32 |
| 801806 | VS3 | V | 6.89 | 7.29 | 180 | 0.24 | 0.41 | 0.31 | 0.060 | 0.26 |
| 801900 | VS1 | S | 7.29 | 7.68 | 190 | 0.35 | 0.57 | 0.47 | 0.070 | 0.32 |
| 801901 | VS2 | S | 7.29 | 7.68 | 190 | 0.59 | 0.81 | 0.71 | 0.070 | 0.32 |
| 801902 | VS3 | S | 7.29 | 7.68 | 190 | 0.24 | 0.41 | 0.31 | 0.060 | 0.26 |
| 801904 | VS1 | V | 7.29 | 7.68 | 190 | 0.35 | 0.57 | 0.47 | 0.070 | 0.32 |
| 801905 | VS2 | V | 7.29 | 7.68 | 190 | 0.59 | 0.81 | 0.71 | 0.070 | 0.32 |
| 801906 | VS3 | V | 7.29 | 7.68 | 190 | 0.24 | 0.41 | 0.31 | 0.060 | 0.26 |
| 801990 | VS1 | S | 7.68 | 8.27 | 199 | 0.35 | 0.57 | 0.47 | 0.070 | 0.32 |
| 801991 | VS2 | S | 7.68 | 8.27 | 199 | 0.59 | 0.81 | 0.71 | 0.070 | 0.32 |
| 801994 | VS1 | V | 7.68 | 8.27 | 199 | 0.35 | 0.57 | 0.47 | 0.070 | 0.32 |
| 801995 | VS2 | V | 7.68 | 8.27 | 199 | 0.59 | 0.81 | 0.71 | 0.070 | 0.32 |
| 802000 | VS1 | S | 7.48 | 8.27 | 200 | 0.56 | 0.98 | 0.79 | 0.160 | 0.59 |
| 802002 | VS3 | S | 7.48 | 8.27 | 200 | 0.24 | 0.41 | 0.31 | 0.060 | 0.26 |
| 802004 | VS1 | V | 7.48 | 8.27 | 200 | 0.56 | 0.98 | 0.79 | 0.160 | 0.59 |
| 802006 | VS3 | V | 7.48 | 8.27 | 200 | 0.24 | 0.41 | 0.31 | 0.060 | 0.26 |
| 802200 | VS1 | S | 8.27 | 9.25 | 220 | 0.56 | 0.98 | 0.79 | 0.160 | 0.59 |
| 802202 | VS3 | S | 8.27 | 9.25 | 220 | 0.24 | 0.41 | 0.31 | 0.060 | 0.26 |
| 802204 | VS1 | V | 8.27 | 9.25 | 220 | 0.56 | 0.98 | 0.79 | 0.160 | 0.59 |
| 802206 | VS3 | V | 8.27 | 9.25 | 220 | 0.24 | 0.41 | 0.31 | 0.060 | 0.26 |
| 802500 | VS1 | S | 9.25 | 10.43 | 250 | 0.56 | 0.98 | 0.79 | 0.160 | 0.59 |
| 802502 | VS3 | S | 9.25 | 10.43 | 250 | 0.24 | 0.41 | 0.31 | 0.060 | 0.26 |
| 802504 | VS1 | V | 9.25 | 10.43 | 250 | 0.56 | 0.98 | 0.79 | 0.160 | 0.59 |
| 802506 | VS3 | V | 9.25 | 10.43 | 250 | 0.24 | 0.41 | 0.31 | 0.060 | 0.26 |

* Select the larger V-Seal when the dimension d1 is on the boundary between two sizes of V-Seals

| Part Number | Style | Matl | Shaft Diameter Range* (d1) | | Shaft/mm (d1) | Width on Shaft (A) | Overall Width (B) | Fitted Width (B1) | Width Tolerance (+/-) | Height (C) |
|-------------|-------|------|----------------------------|-------|---------------|--------------------|-------------------|-------------------|-----------------------|------------|
| 802750 | VS1 | S | 10.43 | 11.42 | 275 | 0.56 | 0.98 | 0.79 | 0.160 | 0.59 |
| 802752 | VS3 | S | 10.43 | 11.42 | 275 | 0.24 | 0.41 | 0.31 | 0.060 | 0.26 |
| 802754 | VS1 | V | 10.43 | 11.42 | 275 | 0.56 | 0.98 | 0.79 | 0.160 | 0.59 |
| 802756 | VS3 | V | 10.43 | 11.42 | 275 | 0.24 | 0.41 | 0.31 | 0.060 | 0.26 |
| 803000 | VS1 | S | 11.42 | 12.20 | 300 | 0.56 | 0.98 | 0.79 | 0.160 | 0.59 |
| 803002 | VS3 | S | 11.42 | 12.20 | 300 | 0.22 | 0.41 | 0.31 | 0.060 | 0.26 |
| 803004 | VS1 | V | 11.42 | 12.20 | 300 | 0.56 | 0.98 | 0.79 | 0.160 | 0.59 |
| 803006 | VS3 | V | 11.42 | 12.20 | 300 | 0.24 | 0.41 | 0.31 | 0.060 | 0.26 |
| 803250 | VS1 | S | 12.20 | 13.19 | 325 | 0.56 | 0.98 | 0.79 | 0.160 | 0.59 |
| 803252 | VS3 | S | 12.20 | 13.19 | 325 | 0.24 | 0.41 | 0.31 | 0.060 | 0.26 |
| 803254 | VS1 | V | 12.20 | 13.19 | 325 | 0.56 | 0.98 | 0.79 | 0.160 | 0.59 |
| 803256 | VS3 | V | 12.20 | 13.19 | 325 | 0.24 | 0.41 | 0.31 | 0.060 | 0.26 |
| 803500 | VS1 | S | 13.19 | 14.37 | 350 | 0.56 | 0.98 | 0.79 | 0.160 | 0.59 |
| 803502 | VS3 | S | 13.19 | 14.37 | 350 | 0.24 | 0.41 | 0.31 | 0.060 | 0.26 |
| 803504 | VS1 | V | 13.19 | 14.37 | 350 | 0.56 | 0.98 | 0.79 | 0.160 | 0.59 |
| 803506 | VS3 | V | 13.19 | 14.37 | 350 | 0.24 | 0.41 | 0.31 | 0.060 | 0.26 |
| 803750 | VS1 | S | 14.37 | 15.35 | 375 | 0.56 | 0.98 | 0.79 | 0.160 | 0.59 |
| 803752 | VS3 | S | 14.37 | 15.35 | 375 | 0.24 | 0.41 | 0.31 | 0.060 | 0.26 |
| 803754 | VS1 | V | 14.37 | 15.35 | 375 | 0.56 | 0.98 | 0.79 | 0.160 | 0.59 |
| 803756 | VS3 | V | 14.37 | 15.35 | 375 | 0.24 | 0.41 | 0.31 | 0.060 | 0.26 |
| 804000 | VS1 | S | 15.35 | 16.93 | 400 | 0.56 | 0.98 | 0.79 | 0.160 | 0.59 |
| 804002 | VS3 | S | 15.35 | 16.93 | 400 | 0.24 | 0.41 | 0.31 | 0.060 | 0.26 |
| 804004 | VS1 | V | 15.35 | 16.93 | 400 | 0.56 | 0.98 | 0.79 | 0.160 | 0.59 |
| 804006 | VS3 | V | 15.35 | 16.93 | 400 | 0.24 | 0.41 | 0.31 | 0.060 | 0.26 |
| 804500 | VS1 | S | 16.93 | 18.90 | 450 | 0.56 | 0.98 | 0.79 | 0.160 | 0.59 |
| 804502 | VS3 | S | 16.93 | 18.90 | 450 | 0.24 | 0.41 | 0.31 | 0.060 | 0.26 |
| 804503 | VS4 | S | 17.72 | 17.91 | 450 | 0.56 | 0.98 | 0.79 | 0.160 | 0.59 |
| 804504 | VS1 | V | 16.93 | 18.90 | 450 | 0.56 | 0.98 | 0.79 | 0.160 | 0.59 |
| 804506 | VS3 | V | 16.93 | 18.90 | 450 | 0.24 | 0.41 | 0.31 | 0.060 | 0.26 |
| 805000 | VS1 | S | 18.90 | 20.87 | 500 | 0.56 | 0.98 | 0.79 | 0.160 | 0.59 |
| 805002 | VS3 | S | 18.90 | 20.87 | 500 | 0.24 | 0.41 | 0.31 | 0.060 | 0.26 |
| 805003 | VS4 | S | 19.69 | 19.88 | 500 | 0.56 | 0.98 | 0.79 | 0.160 | 0.59 |
| 805004 | VS1 | V | 18.90 | 20.87 | 500 | 0.56 | 0.98 | 0.79 | 0.160 | 0.59 |
| 805103 | VS4 | S | 2.08 | 20.28 | 510 | 0.56 | 0.98 | 0.79 | 0.160 | 0.59 |
| 805203 | VS4 | S | 20.47 | 20.67 | 520 | 0.56 | 0.98 | 0.79 | 0.160 | 0.59 |
| 805303 | VS4 | S | 20.87 | 21.06 | 530 | 0.56 | 0.98 | 0.79 | 0.160 | 0.59 |
| 805403 | VS4 | S | 21.26 | 21.46 | 540 | 0.56 | 0.98 | 0.79 | 0.160 | 0.59 |
| 805500 | VS1 | S | 20.87 | 22.86 | 550 | 0.56 | 0.98 | 0.79 | 0.160 | 0.59 |
| 805502 | VS3 | S | 20.87 | 22.83 | 550 | 0.24 | 0.41 | 0.31 | 0.060 | 0.26 |
| 805503 | VS4 | S | 21.65 | 21.85 | 550 | 0.56 | 0.98 | 0.79 | 0.160 | 0.59 |
| 805504 | VS1 | V | 20.87 | 22.83 | 550 | 0.56 | 0.98 | 0.79 | 0.160 | 0.59 |
| 805603 | VS4 | S | 22.05 | 22.24 | 560 | 0.56 | 0.98 | 0.79 | 0.160 | 0.59 |
| 805703 | VS4 | S | 22.44 | 22.64 | 570 | 0.56 | 0.98 | 0.79 | 0.160 | 0.59 |
| 805803 | VS4 | S | 22.84 | 23.03 | 580 | 0.56 | 0.98 | 0.79 | 0.160 | 0.59 |
| 805903 | VS4 | S | 23.23 | 23.62 | 590 | 0.56 | 0.98 | 0.79 | 0.160 | 0.59 |
| 806000 | VS1 | S | 22.83 | 24.80 | 600 | 0.56 | 0.98 | 0.79 | 0.160 | 0.59 |
| 806002 | VS3 | S | 22.83 | 24.80 | 600 | 0.24 | 0.41 | 0.31 | 0.060 | 0.26 |
| 806003 | VS4 | S | 23.62 | 24.02 | 600 | 0.56 | 0.98 | 0.79 | 0.160 | 0.59 |
| 806004 | VS1 | V | 22.83 | 24.80 | 600 | 0.56 | 0.98 | 0.79 | 0.160 | 0.59 |
| 806103 | VS4 | S | 24.02 | 24.41 | 610 | 0.56 | 0.98 | 0.79 | 0.160 | 0.59 |

Styles VS1, VS3, & VS4

Style VS2

| Part Number | Style | Matl | Shaft Diameter Range* (d1) | | Shaft/mm (d1) | Width on Shaft (A) | Overall Width (B) | Fitted Width (B1) | Width Tolerance (+/-) | Height (C) |
|-------------|-------|------|----------------------------|-------|---------------|--------------------|-------------------|-------------------|-----------------------|------------|
| 806203 | VS4 | S | 24.41 | 24.80 | 620 | 0.56 | 0.98 | 0.79 | 0.160 | 0.59 |
| 806303 | VS4 | S | 24.80 | 25.20 | 630 | 0.56 | 0.98 | 0.79 | 0.160 | 0.59 |
| 806403 | VS4 | S | 25.20 | 25.59 | 640 | 0.56 | 0.98 | 0.79 | 0.160 | 0.59 |
| 806500 | VS1 | S | 24.80 | 26.18 | 650 | 0.56 | 0.98 | 0.79 | 0.160 | 0.59 |
| 806503 | VS4 | S | 25.59 | 25.98 | 650 | 0.56 | 0.98 | 0.79 | 0.160 | 0.59 |
| 806903 | VS4 | S | 27.10 | 27.50 | 690 | 0.56 | 0.98 | 0.79 | 0.160 | 0.59 |
| 807000 | VS1 | S | 26.18 | 27.76 | 700 | 0.56 | 0.98 | 0.79 | 0.160 | 0.59 |
| 807003 | VS4 | S | 27.56 | 27.95 | 700 | 0.56 | 0.98 | 0.79 | 0.160 | 0.59 |
| 807250 | VS1 | S | 27.76 | 29.33 | 725 | 0.56 | 0.98 | 0.79 | 0.160 | 0.59 |
| 807500 | VS1 | S | 29.33 | 30.91 | 750 | 0.56 | 0.98 | 0.79 | 0.160 | 0.59 |
| 807503 | VS4 | S | 29.53 | 29.84 | 750 | 0.56 | 0.98 | 0.79 | 0.160 | 0.59 |
| 807803 | VS4 | S | 30.40 | 30.80 | 780 | 0.56 | 0.98 | 0.79 | 0.160 | 0.59 |
| 808000 | VS1 | S | 30.91 | 32.68 | 800 | 0.56 | 0.98 | 0.79 | 0.160 | 0.59 |
| 808003 | VS4 | S | 31.18 | 31.54 | 800 | 0.56 | 0.98 | 0.79 | 0.160 | 0.59 |
| 808203 | VS4 | S | 31.50 | 33.26 | 820 | 0.56 | 0.98 | 0.79 | 0.160 | 0.59 |
| 808500 | VS1 | S | 32.68 | 34.45 | 850 | 0.56 | 0.98 | 0.79 | 0.160 | 0.59 |
| 808503 | VS4 | S | 33.11 | 33.50 | 850 | 0.56 | 0.98 | 0.79 | 0.160 | 0.59 |
| 809000 | VS1 | S | 34.45 | 36.22 | 900 | 0.56 | 0.98 | 0.79 | 0.160 | 0.59 |
| 809003 | VS4 | S | 35.12 | 35.91 | 900 | 0.56 | 0.98 | 0.79 | 0.160 | 0.59 |
| 809500 | VS1 | S | 36.22 | 37.99 | 950 | 0.56 | 0.98 | 0.79 | 0.160 | 0.59 |
| 809503 | VS4 | S | 37.17 | 37.60 | 950 | 0.56 | 0.98 | 0.79 | 0.160 | 0.59 |
| 810000 | VS1 | S | 37.99 | 39.96 | 1000 | 0.56 | 0.98 | 0.79 | 0.160 | 0.59 |
| 810003 | VS4 | S | 39.33 | 39.79 | 1000 | 0.56 | 0.98 | 0.79 | 0.160 | 0.59 |
| 810500 | VS1 | S | 39.96 | 41.93 | 1050 | 0.56 | 0.98 | 0.79 | 0.160 | 0.59 |
| 810603 | VS4 | S | 41.10 | 41.90 | 1060 | 0.56 | 0.98 | 0.79 | 0.160 | 0.59 |
| 811000 | VS1 | S | 41.93 | 43.90 | 1100 | 0.56 | 0.98 | 0.79 | 0.160 | 0.59 |
| 811003 | VS4 | S | 42.72 | 43.50 | 1100 | 0.56 | 0.98 | 0.79 | 0.160 | 0.59 |
| 811500 | VS1 | S | 43.90 | 45.87 | 1150 | 0.56 | 0.98 | 0.79 | 0.160 | 0.59 |
| 812000 | VS1 | S | 45.87 | 47.84 | 1200 | 0.56 | 0.98 | 0.79 | 0.160 | 0.59 |
| 812003 | VS4 | S | 46.65 | 47.44 | 1200 | 0.56 | 0.98 | 0.79 | 0.160 | 0.59 |

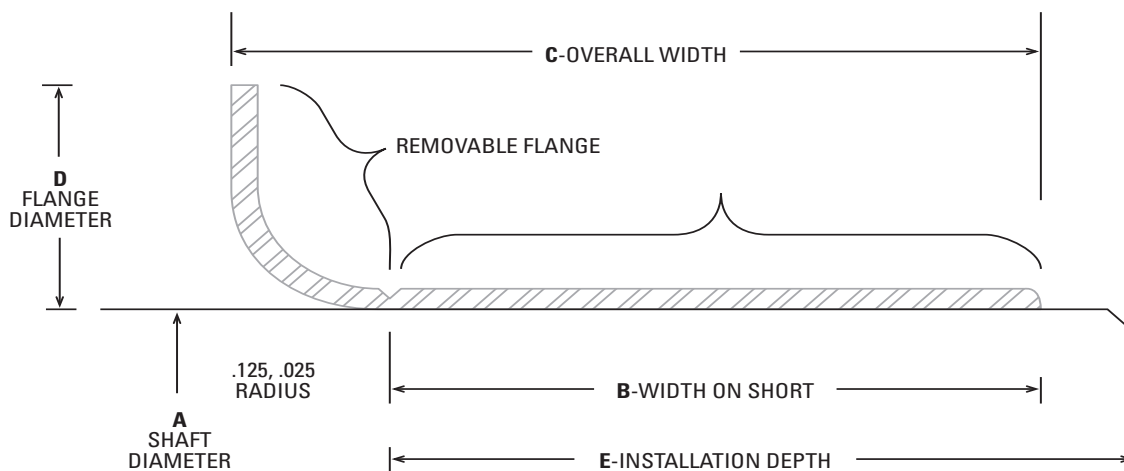
* Select the larger V-Seal when the dimension d1 is on the boundary between two sizes of V-Seals

| Part Number | Style | Matl | Shaft Diameter Range* (d1) | | Shaft/mm (d1) | Width on Shaft (A) | Overall Width (B) | Fitted Width (B1) | Width Tolerance (+/-) | Height (C) |
|-------------|-------|------|----------------------------|-------|---------------|--------------------|-------------------|-------------------|-----------------------|------------|
| 812500 | VS1 | S | 47.84 | 50.00 | 1250 | 0.56 | 0.98 | 0.79 | 0.160 | 0.59 |
| 813000 | VS1 | S | 50.00 | 51.97 | 1300 | 0.56 | 0.98 | 0.79 | 0.160 | 0.59 |
| 813003 | VS4 | S | 50.98 | 51.77 | 1300 | 0.56 | 0.98 | 0.79 | 0.160 | 0.59 |
| 813500 | VS1 | S | 51.97 | 53.94 | 1300 | 0.56 | 0.98 | 0.79 | 0.160 | 0.59 |
| 813503 | VS4 | S | 52.76 | 53.74 | 1350 | 0.56 | 0.98 | 0.79 | 0.160 | 0.59 |
| 814000 | VS1 | S | 53.94 | 55.91 | 1400 | 0.56 | 0.98 | 0.79 | 0.160 | 0.59 |
| 814003 | VS4 | S | 54.72 | 55.71 | 1400 | 0.56 | 0.98 | 0.79 | 0.160 | 0.59 |
| 814500 | VS1 | S | 55.91 | 57.87 | 1450 | 0.56 | 0.98 | 0.79 | 0.160 | 0.59 |
| 814503 | VS4 | S | 56.69 | 57.68 | 1450 | 0.56 | 0.98 | 0.79 | 0.160 | 0.59 |
| 815000 | VS1 | S | 57.87 | 59.84 | 1500 | 0.56 | 0.98 | 0.79 | 0.160 | 0.59 |
| 815003 | VS4 | S | 58.66 | 59.65 | 1500 | 0.56 | 0.98 | 0.79 | 0.160 | 0.59 |
| 815500 | VS1 | S | 59.84 | 61.81 | 1550 | 0.56 | 0.98 | 0.79 | 0.160 | 0.59 |
| 815503 | VS4 | S | 60.63 | 61.81 | 1550 | 0.56 | 0.98 | 0.79 | 0.160 | 0.59 |
| 816000 | VS1 | S | 61.81 | 63.78 | 1600 | 0.56 | 0.98 | 0.79 | 0.160 | 0.59 |
| 816003 | VS4 | S | 62.99 | 64.57 | 1600 | 0.56 | 0.98 | 0.79 | 0.160 | 0.59 |
| 816500 | VS1 | S | 63.78 | 65.75 | 1650 | 0.56 | 0.98 | 0.79 | 0.160 | 0.59 |
| 816503 | VS4 | S | 64.57 | 66.14 | 1650 | 0.56 | 0.98 | 0.79 | 0.160 | 0.59 |
| 817000 | VS1 | S | 65.75 | 67.72 | 1700 | 0.56 | 0.98 | 0.79 | 0.160 | 0.59 |
| 817003 | VS4 | S | 66.15 | 67.72 | 1700 | 0.56 | 0.98 | 0.79 | 0.160 | 0.59 |
| 817500 | VS1 | S | 67.72 | 69.69 | 1750 | 0.56 | 0.98 | 0.79 | 0.160 | 0.59 |
| 817503 | VS4 | S | 67.72 | 69.49 | 1750 | 0.56 | 0.98 | 0.79 | 0.160 | 0.59 |
| 818000 | VS1 | S | 69.69 | 71.65 | 1800 | 0.56 | 0.98 | 0.79 | 0.160 | 0.59 |
| 818003 | VS4 | S | 69.46 | 71.26 | 1800 | 0.56 | 0.98 | 0.79 | 0.160 | 0.59 |
| 818500 | VS1 | S | 71.65 | 73.62 | 1850 | 0.56 | 0.98 | 0.79 | 0.160 | 0.59 |
| 818503 | VS4 | S | 71.26 | 73.03 | 1850 | 0.56 | 0.98 | 0.79 | 0.160 | 0.59 |
| 819000 | VS1 | S | 73.62 | 75.59 | 1900 | 0.56 | 0.98 | 0.79 | 0.160 | 0.59 |
| 819003 | VS4 | S | 73.03 | 75.00 | 1900 | 0.56 | 0.98 | 0.79 | 0.160 | 0.59 |
| 819500 | VS1 | S | 75.59 | 77.56 | 1950 | 0.56 | 0.98 | 0.79 | 0.160 | 0.59 |
| 819503 | VS4 | S | 75.00 | 76.97 | 1950 | 0.56 | 0.98 | 0.79 | 0.160 | 0.59 |
| 819990 | VS1 | S | 77.56 | 79.53 | 1999 | 0.56 | 0.98 | 0.79 | 0.160 | 0.59 |
| 820003 | VS4 | S | 76.90 | 79.10 | 2000 | 0.56 | 0.98 | 0.79 | 0.160 | 0.59 |

| Part Number | Style | Matl | Shaft | Bore | O.D. | Width |
|-------------|----------|------|-------|-------|-------|-------|
| 370001A | Unitized | S | 3.500 | 4.842 | 4.848 | 0.925 |
| 370002A | Unitized | S | 3.500 | 5.000 | 5.006 | 1.000 |
| 370003A | Unitized | S | 4.765 | 6.311 | 6.318 | 1.078 |
| 370004A | Unitized | S | 4.812 | 6.500 | 6.507 | 0.865 |
| 370005A | Unitized | S | 4.765 | 6.251 | 6.265 | 0.605 |
| 370006A | Unitized | S | 4.765 | 6.999 | 7.006 | 1.250 |
| 370007A | Unitized | S | 4.875 | 6.373 | 6.379 | 0.921 |
| 370008A | Unitized | S | 3.937 | 5.372 | 5.378 | 1.015 |
| 370009A | Unitized | S | 3.937 | 5.501 | 5.507 | 0.937 |
| 370010A | Unitized | S | 2.875 | 4.125 | 4.130 | 0.842 |
| 370011A | Unitized | S | 3.625 | 5.000 | 5.014 | 0.875 |
| 370012A | Unitized | S | 3.625 | 4.810 | 4.823 | 0.921 |
| 370013A | Unitized | S | 3.312 | 5.000 | 5.006 | 0.937 |
| 370014A | Unitized | S | 3.125 | 4.500 | 4.506 | 0.605 |
| 370015A | Unitized | S | 4.000 | 5.375 | 5.381 | 1.000 |
| 370018A | Unitized | S | 3.250 | 4.500 | 4.506 | 0.605 |
| 370019A | Unitized | S | 4.375 | 6.251 | 6.256 | 0.605 |
| 370020A | Unitized | S | 4.500 | 6.000 | 6.007 | 0.984 |
| 370021A | Unitized | S | 4.500 | 6.251 | 6.265 | 0.610 |
| 370022A | Unitized | S | 4.500 | 5.750 | 5.756 | 0.960 |
| 370023A | Unitized | S | 3.875 | 5.690 | 5.706 | 0.875 |
| 370024A | Unitized | S | 3.875 | 5.501 | 5.515 | 0.875 |
| 370025A | Unitized | S | 4.625 | 5.999 | 6.008 | 0.840 |
| 370026A | Unitized | S | 4.635 | 6.007 | 6.014 | 0.937 |
| 370027A | Unitized | S | 4.812 | 6.311 | 6.316 | 1.062 |
| 370028A | Unitized | S | 5.000 | 6.250 | 6.256 | 1.375 |
| 370029A | Unitized | S | 3.187 | 5.000 | 5.006 | 0.765 |
| 370030A | Unitized | S | 4.265 | 6.064 | 6.071 | 0.605 |
| 370031A | Unitized | S | 4.250 | 6.250 | 6.256 | 1.188 |
| 370033A | Unitized | S | 3.875 | 5.126 | 5.132 | 0.605 |
| 370034A | Unitized | S | 4.375 | 6.311 | 6.317 | 1.090 |
| 370036A | Unitized | S | 4.000 | 5.757 | 5.772 | 0.930 |
| 370037A | Unitized | S | 4.375 | 5.757 | 5.763 | 1.000 |
| 370038A | Unitized | S | 5.000 | 7.437 | 7.444 | 0.605 |
| 370039A | Unitized | S | 5.500 | 7.437 | 7.444 | 1.000 |
| 370043A | Unitized | S | 5.500 | 7.125 | 7.132 | 1.187 |
| 370046A | Unitized | S | 3.125 | 4.625 | 4.631 | 0.605 |
| 370047A | Unitized | S | 3.437 | 4.755 | 4.761 | 0.605 |
| 370048A | Unitized | S | 4.375 | 5.905 | 5.911 | 1.000 |
| 370051A | Unitized | S | 4.625 | 6.622 | 6.629 | 1.093 |
| 370054A | Unitized | S | 2.875 | 4.175 | 4.181 | 0.822 |
| 370057A | Unitized | S | 4.875 | 6.437 | 6.444 | 0.921 |
| 370063A | Unitized | S | 5.000 | 6.250 | 6.256 | 0.605 |
| 370064A | Unitized | S | 5.625 | 7.186 | 7.194 | 0.906 |
| 370065A | Unitized | S | 4.250 | 6.008 | 6.022 | 1.000 |
| 370066A | Unitized | S | 4.000 | 5.626 | 5.632 | 0.605 |
| 370069A | Unitized | S | 5.250 | 7.375 | 7.386 | 1.000 |
| *370077A | Unitized | S | 6.000 | 7.875 | 7.881 | 0.605 |
| 370078A | Unitized | S | 4.500 | 6.622 | 6.629 | 1.093 |
| *370082A | Unitized | S | 7.375 | 9.054 | 9.063 | 1.062 |

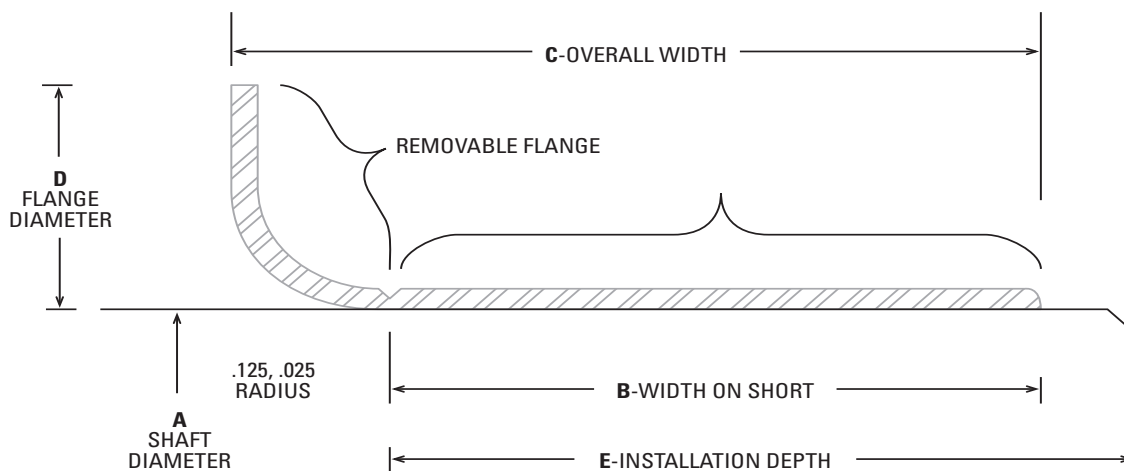
| Part Number | Style | Matl | Shaft | Bore | O.D. | Width |
|-------------|----------|------|-------|--------|--------|-------|
| 370086A | Unitized | S | 4.500 | 6.310 | 6.316 | 1.175 |
| *370087A | Unitized | S | 4.000 | 5.248 | 5.254 | 0.605 |
| 370094A | Unitized | S | 4.125 | 5.375 | 5.381 | 0.605 |
| 370106A | Unitized | S | 4.166 | 5.500 | 5.506 | 0.605 |
| 370107A | Unitized | S | 4.250 | 6.035 | 6.047 | 0.915 |
| 370109A | Unitized | S | 4.875 | 6.622 | 6.629 | 1.000 |
| 370119A | Unitized | S | 5.640 | 7.501 | 7.507 | 0.605 |
| 370120A | Unitized | S | 5.500 | 7.250 | 7.256 | 1.187 |
| 370121A | Unitized | S | 4.875 | 6.500 | 6.506 | 1.000 |
| 370124A | Unitized | S | 4.500 | 5.375 | 5.391 | 0.984 |
| *370127A | Unitized | S | 2.752 | 3.937 | 3.942 | 0.565 |
| 370131A | Unitized | S | 4.500 | 5.876 | 5.892 | 0.984 |
| 370132A | Unitized | S | 3.500 | 4.543 | 4.558 | 0.788 |
| 370145A | Unitized | S | 3.125 | 4.174 | 4.188 | 0.500 |
| *370149A | Unitized | S | 6.625 | 8.007 | 8.014 | 0.605 |
| 370150A | Unitized | S | 2.875 | 3.875 | 3.889 | 0.500 |
| *370151A | Unitized | S | 7.875 | 10.234 | 10.242 | 0.605 |
| *370154A | Unitized | S | 5.000 | 7.000 | 7.006 | 1.000 |
| *370155A | Unitized | S | 2.740 | 3.937 | 3.942 | 0.565 |
| 370165A | Unitized | S | 3.875 | 5.376 | 5.381 | 0.985 |
| 370166A | Unitized | S | 5.000 | 6.622 | 6.629 | 1.093 |
| 370169A | Unitized | S | 3.500 | 4.751 | 4.757 | 0.605 |
| 370173A | Unitized | S | 4.765 | 6.250 | 6.257 | 1.050 |
| 370175A | Unitized | S | 7.250 | 8.750 | 8.758 | 0.605 |
| 370178A | Unitized | S | 4.500 | 5.500 | 5.515 | 0.675 |
| 370179A | Unitized | S | 3.500 | 4.450 | 4.456 | 0.843 |
| 370181A | Unitized | S | 4.765 | 5.999 | 6.006 | 1.031 |
| 370182A | Unitized | S | 4.375 | 5.905 | 5.910 | 1.000 |
| 370191A | Unitized | S | 3.312 | 4.501 | 4.506 | 0.605 |
| 370192A | Unitized | S | 4.500 | 6.441 | 6.447 | 0.937 |
| 370195A | Unitized | S | 4.875 | 6.001 | 6.015 | 0.625 |
| 370198A | Unitized | S | 4.040 | 5.122 | 5.130 | 0.945 |
| 370199A | Unitized | V | 2.359 | 3.938 | 3.952 | 0.575 |
| 370211A | Unitized | S | 2.948 | 4.725 | 4.738 | 0.526 |
| 370212A | Unitized | V | 3.539 | 5.277 | 5.291 | 0.604 |
| 370215A | Unitized | V | 5.000 | 7.000 | 7.015 | 1.130 |
| 370216A | Unitized | S | 4.625 | 5.999 | 6.006 | 0.890 |
| 370219A | Unitized | S | 2.250 | 3.372 | 3.377 | 0.475 |
| 370220A | Unitized | S | 4.724 | 5.906 | 5.912 | 0.590 |
| *370223A | Unitized | S | 2.938 | 3.750 | 3.765 | 0.530 |
| *370224A | Unitized | S | 4.768 | 6.999 | 7.039 | 0.735 |
| 370338A | Unitized | S | 4.375 | 5.757 | 5.798 | 0.600 |
| 370349A | Unitized | S | 4.000 | 5.757 | 5.798 | 0.600 |
| 370352A | Unitized | S | 2.750 | 3.779 | 3.792 | 0.767 |
| 380001A | Unitized | T | 3.500 | 4.842 | 4.847 | 0.910 |
| 380003A | Unitized | T | 4.765 | 6.311 | 6.318 | 1.132 |
| 380022A | Unitized | T | 4.500 | 5.750 | 5.756 | 0.960 |
| 380023A | Unitized | T | 3.875 | 5.690 | 5.706 | 0.770 |
| 380025A | Unitized | T | 4.625 | 5.999 | 6.005 | 0.937 |
| 380031A | Unitized | T | 4.250 | 6.250 | 6.256 | 1.188 |

| Part Number | Style | Matl | Shaft | Bore | O.D. | Width |
|----------------|----------|------|-------|-------|-------|-------|
| 380036A | Unitized | T | 4.000 | 5.757 | 5.772 | 0.930 |
| 380048A | Unitized | T | 4.375 | 5.905 | 5.918 | 1.015 |
| 380065A | Unitized | T | 4.250 | 6.000 | 6.008 | 1.000 |
| 380131A | Unitized | T | 4.500 | 5.876 | 5.892 | 0.984 |



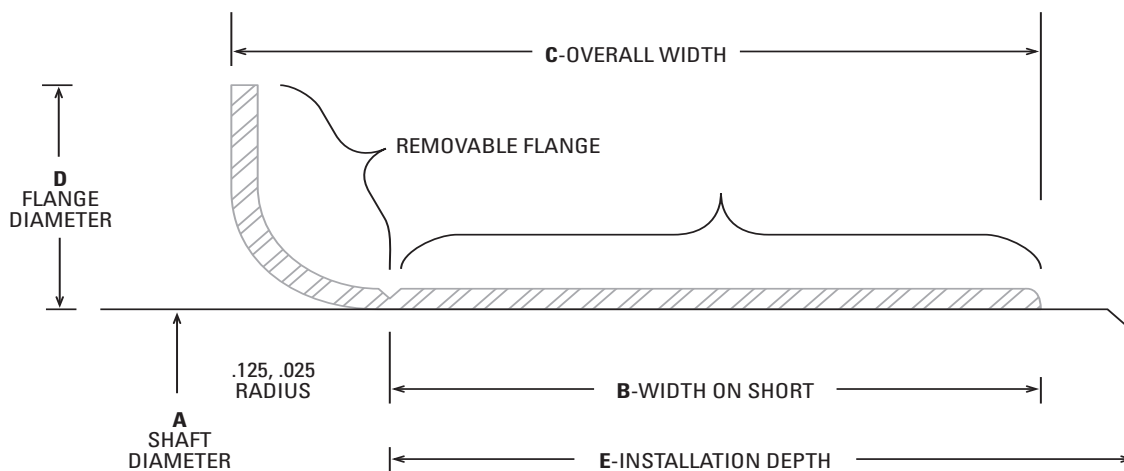
| Part Number | Shaft Diameter Range (A) | | Width on Shaft (B) | Overall Width (C) | Flange Diameter (D) | Installation (E) |
|-------------|--------------------------|-------|--------------------|-------------------|---------------------|------------------|
| KWK88176 | 1.761 | 1.767 | 0.563 | 0.688 | 2.063 | 0.813 |
| KWK88179 | 1.778 | 1.784 | 0.675 | 0.800 | 2.125 | 1.000 |
| KWK88186 | 1.866 | 1.872 | 0.889 | 1.025 | 2.187 | 1.000 |
| KWK88187 | 1.872 | 1.878 | 0.563 | 0.688 | 2.203 | 1.000 |
| KWK88199 | 1.997 | 2.003 | 0.563 | 0.688 | 2.406 | 1.000 |
| | | | | | | |
| KWK88218 | 2.186 | 2.192 | 0.781 | 0.938 | 2.500 | 1.313 |
| KWK88225 | 2.249 | 2.255 | 0.781 | 0.938 | 2.531 | 1.313 |
| KWK88233 | 2.327 | 2.333 | 0.750 | 0.875 | 2.750 | 1.610 |
| KWK99049 | 0.469 | 0.475 | 0.236 | 0.331 | 0.787 | 0.472 |
| KWK99050 | 0.498 | 0.502 | 0.250 | 0.344 | 0.610 | 2.008 |
| | | | | | | |
| KWK99056 | 0.560 | 0.566 | 0.250 | 0.391 | 0.750 | 1.831 |
| KWK99058 | 0.626 | 0.630 | 0.313 | 0.438 | 0.718 | 2.000 |
| KWK99059 | 0.589 | 0.593 | 0.197 | 0.354 | 0.750 | 0.425 |
| KWK99060 | 0.682 | 0.686 | 0.313 | 0.438 | 0.900 | 2.000 |
| KWK99062 | 0.623 | 0.627 | 0.313 | 0.406 | 0.813 | 2.000 |
| | | | | | | |
| KWK99068 | 0.667 | 0.671 | 0.315 | 0.433 | 1.063 | 2.008 |
| KWK99075 | 0.748 | 0.752 | 0.375 | 0.500 | 0.900 | 2.000 |
| KWK99076 | 0.748 | 0.752 | 0.313 | 0.438 | 0.938 | 2.000 |
| KWK99078 | 0.785 | 0.789 | 0.313 | 0.433 | 0.999 | 2.000 |
| KWK99080 | 0.780 | 0.784 | 0.313 | 0.438 | 0.935 | 2.000 |
| | | | | | | |
| KWK99081 | 0.759 | 0.761 | 0.313 | 0.438 | 0.938 | 2.000 |
| KWK99082 | 0.704 | 0.709 | 0.315 | 0.433 | 1.063 | 1.811 |
| KWK99085 | 0.861 | 0.866 | 0.315 | 0.472 | 1.058 | 1.813 |
| KWK99086 | 0.857 | 0.861 | 0.250 | 0.375 | 1.155 | 2.000 |
| KWK99087 | 0.873 | 0.877 | 0.313 | 0.438 | 1.093 | 2.000 |
| | | | | | | |
| KWK99091 | 0.908 | 0.912 | 0.313 | 0.438 | 1.218 | 1.847 |
| KWK99094 | 0.966 | 0.970 | 0.313 | 0.438 | 1.130 | 2.000 |
| KWK99096 | 0.966 | 0.970 | 0.625 | 0.719 | 1.130 | 2.000 |
| KWK99098 | 0.982 | 0.986 | 0.313 | 0.433 | 1.378 | 2.000 |
| KWK99101 | 0.998 | 1.002 | 0.313 | 0.438 | 1.219 | 2.000 |

| Part Number | Shaft Diameter Range (A) | | Width on Shaft (B) | Overall Width (C) | Flange Diameter (D) | Installation (E) |
|-------------|--------------------------|-------|--------------------|-------------------|---------------------|------------------|
| KWK99103 | 1.019 | 1.024 | 0.313 | 0.472 | 1.312 | 1.813 |
| KWK99106 | 1.060 | 1.064 | 0.313 | 0.438 | 1.320 | 2.812 |
| KWK99108 | 1.087 | 1.091 | 0.313 | 0.438 | 1.406 | 0.625 |
| KWK99111 | 1.100 | 1.104 | 0.375 | 0.500 | 1.375 | 2.813 |
| KWK99112 | 1.123 | 1.127 | 0.313 | 0.438 | 1.575 | 0.688 |
| KWK99114 | 1.179 | 1.184 | 0.315 | 0.433 | 1.400 | 0.688 |
| KWK99118 | 1.185 | 1.190 | 0.313 | 0.438 | 1.400 | 0.875 |
| KWK99120 | 1.154 | 1.158 | 0.375 | 0.500 | 1.350 | 0.688 |
| KWK99122 | 1.173 | 1.178 | 0.313 | 0.438 | 1.575 | 0.688 |
| KWK99123 | 1.216 | 1.222 | 0.315 | 0.438 | 1.575 | 0.688 |
| KWK99125 | 1.247 | 1.253 | 0.313 | 0.438 | 1.500 | 0.688 |
| KWK99128 | 1.257 | 1.263 | 0.315 | 0.437 | 1.496 | 0.709 |
| KWK99129 | 1.308 | 1.314 | 0.250 | 0.375 | 1.600 | 0.813 |
| KWK99131 | 1.310 | 1.316 | 0.500 | 0.625 | 1.594 | 0.813 |
| KWK99133 | 1.371 | 1.377 | 0.313 | 0.438 | 1.638 | 0.813 |
| KWK99134 | 1.336 | 1.342 | 0.500 | 0.625 | 1.638 | 0.813 |
| KWK99138 | 1.371 | 1.377 | 0.500 | 0.625 | 1.638 | 0.813 |
| KWK99139 | 1.375 | 1.381 | 0.512 | 0.630 | 1.638 | 0.812 |
| KWK99141 | 1.237 | 1.243 | 0.315 | 0.438 | 1.540 | 0.688 |
| KWK99143 | 1.432 | 1.438 | 0.563 | 0.688 | 1.781 | 1.000 |
| KWK99144 | 1.435 | 1.441 | 0.375 | 0.500 | 1.781 | 1.016 |
| KWK99145 | 1.453 | 1.460 | 0.375 | 0.500 | 1.781 | 0.812 |
| KWK99146 | 1.412 | 1.417 | 0.518 | 0.669 | 1.689 | 0.984 |
| KWK99147 | 1.490 | 1.496 | 0.512 | 0.669 | 1.780 | 0.984 |
| KWK99149 | 1.497 | 1.503 | 0.563 | 0.688 | 1.781 | 1.000 |
| KWK99150 | 1.497 | 1.503 | 0.375 | 0.500 | 1.781 | 1.016 |
| KWK99152 | 1.520 | 1.526 | 0.438 | 0.563 | 1.859 | 1.016 |
| KWK99155 | 1.549 | 1.555 | 0.438 | 0.563 | 1.859 | 1.000 |
| KWK99156 | 1.559 | 1.565 | 0.563 | 0.688 | 1.859 | 1.000 |
| KWK99157 | 1.572 | 1.578 | 0.512 | 0.630 | 1.850 | 1.023 |
| KWK99160 | 1.602 | 1.608 | 0.500 | 0.641 | 1.938 | 1.000 |
| KWK99161 | 1.622 | 1.628 | 0.313 | 0.438 | 1.875 | 1.016 |
| KWK99162 | 1.623 | 1.628 | 0.563 | 0.688 | 1.875 | 0.813 |
| KWK99166 | 1.647 | 1.654 | 0.445 | 0.571 | 2.087 | 0.827 |
| KWK99167 | 1.685 | 1.691 | 0.313 | 0.438 | 1.906 | 0.875 |
| KWK99168 | 1.684 | 1.690 | 0.563 | 0.688 | 1.906 | 0.875 |
| KWK99169 | 1.647 | 1.654 | 0.563 | 0.688 | 2.087 | 0.827 |
| KWK99170 | 1.736 | 1.742 | 0.375 | 0.500 | 2.063 | 0.813 |
| KWK99171 | 1.715 | 1.721 | 0.563 | 0.688 | 2.031 | 0.813 |
| KWK99172 | 1.747 | 1.753 | 0.375 | 0.500 | 2.055 | 0.813 |
| KWK99174 | 1.747 | 1.753 | 0.563 | 0.688 | 2.063 | 0.813 |
| KWK99175 | 1.747 | 1.753 | 0.750 | 0.875 | 2.063 | 0.813 |
| KWK99176 | 1.761 | 1.767 | 0.563 | 0.688 | 2.063 | 0.813 |
| KWK99177 | 1.769 | 1.775 | 0.551 | 0.669 | 2.087 | 0.812 |
| KWK99179 | 1.778 | 1.784 | 0.675 | 0.800 | 2.125 | 1.062 |
| KWK99180 | 1.747 | 1.753 | 0.531 | 0.625 | 2.063 | 0.875 |
| KWK99181 | 1.809 | 1.815 | 0.563 | 0.688 | 2.156 | 1.000 |
| KWK99184 | 1.872 | 1.878 | 0.375 | 0.516 | 2.203 | 1.050 |
| KWK99185 | 1.857 | 1.863 | 0.563 | 0.688 | 2.156 | 1.000 |
| KWK99186 | 1.866 | 1.872 | 0.889 | 1.025 | 2.187 | 1.000 |



| Part Number | Shaft Diameter Range (A) | | Width on Shaft (B) | Overall Width (C) | Flange Diameter (D) | Installation (E) |
|-------------|--------------------------|-------|--------------------|-------------------|---------------------|------------------|
| KWK99187 | 1.872 | 1.878 | 0.563 | 0.688 | 2.203 | 1.000 |
| KWK99188 | 1.872 | 1.878 | 0.295 | 0.415 | 2.203 | 0.744 |
| KWK99189 | 1.887 | 1.893 | 0.551 | 0.668 | 2.205 | 0.984 |
| KWK99190 | 1.872 | 1.878 | 0.175 | 0.295 | 2.203 | 0.744 |
| KWK99192 | 1.909 | 1.915 | 0.375 | 0.500 | 2.219 | 1.000 |
| | | | | | | |
| KWK99193 | 1.934 | 1.940 | 0.563 | 0.688 | 2.219 | 1.000 |
| KWK99196 | 1.965 | 1.971 | 0.551 | 0.688 | 2.244 | 0.984 |
| KWK99198 | 1.977 | 1.983 | 0.563 | 0.704 | 2.313 | 1.050 |
| KWK99199 | 1.997 | 2.003 | 0.563 | 0.688 | 2.406 | 1.000 |
| KWK99200 | 1.997 | 2.003 | 0.875 | 1.000 | 2.406 | 1.000 |
| | | | | | | |
| KWK99204 | 2.041 | 2.047 | 0.500 | 0.625 | 2.469 | 1.000 |
| KWK99205 | 2.057 | 2.063 | 0.781 | 0.938 | 2.469 | 1.375 |
| KWK99210 | 2.123 | 2.128 | 0.500 | 0.750 | 2.422 | 1.281 |
| KWK99212 | 2.124 | 2.130 | 0.781 | 0.938 | 2.422 | 1.375 |
| KWK99215 | 2.162 | 2.168 | 0.787 | 0.905 | 2.441 | 1.250 |
| | | | | | | |
| KWK99218 | 2.186 | 2.192 | 0.781 | 0.938 | 2.500 | 1.313 |
| KWK99220 | 2.197 | 2.205 | 0.500 | 0.625 | 2.500 | 1.250 |
| KWK99225 | 2.249 | 2.255 | 0.781 | 0.938 | 2.531 | 1.313 |
| KWK99226 | 2.237 | 2.243 | 0.764 | 0.900 | 2.562 | 1.250 |
| KWK99227 | 2.249 | 2.255 | 0.313 | 0.438 | 2.531 | 1.313 |
| | | | | | | |
| KWK99229 | 2.227 | 2.233 | 0.500 | 0.625 | 2.531 | 1.313 |
| KWK99230 | 2.227 | 2.233 | 0.781 | 0.906 | 2.531 | 1.250 |
| KWK99231 | 2.309 | 2.315 | 0.781 | 0.938 | 2.688 | 1.600 |
| KWK99233 | 2.327 | 2.333 | 0.750 | 0.875 | 2.750 | 1.610 |
| KWK99235 | 2.359 | 2.365 | 0.787 | 0.905 | 2.785 | 1.375 |
| | | | | | | |
| KWK99236 | 2.369 | 2.375 | 0.781 | 0.938 | 2.750 | 1.375 |
| KWK99237 | 2.374 | 2.380 | 0.781 | 0.938 | 2.734 | 1.375 |
| KWK99238 | 2.372 | 2.378 | 0.594 | 0.750 | 2.750 | 1.375 |
| KWK99240 | 2.374 | 2.380 | 0.526 | 0.683 | 2.750 | 1.375 |
| KWK99241 | 2.359 | 2.365 | 0.370 | 0.449 | 2.783 | 1.472 |

| Part Number | Shaft Diameter Range (A) | | Width on Shaft (B) | Overall Width (C) | Flange Diameter (D) | Installation (E) |
|-------------|--------------------------|-------|--------------------|-------------------|---------------------|------------------|
| KWK99242 | 2.435 | 2.441 | 0.500 | 0.626 | 2.827 | 1.417 |
| KWK99243 | 2.434 | 2.440 | 0.781 | 0.938 | 2.828 | 1.375 |
| KWK99248 | 2.500 | 2.506 | 0.500 | 0.656 | 2.828 | 1.375 |
| KWK99249 | 2.489 | 2.495 | 0.781 | 0.938 | 2.875 | 1.393 |
| KWK99250 | 2.500 | 2.506 | 0.781 | 0.938 | 2.828 | 1.375 |
| KWK99251 | 2.510 | 2.516 | 0.781 | 0.906 | 2.828 | 1.438 |
| KWK99253 | 2.497 | 2.503 | 0.555 | 0.650 | 2.820 | 0.890 |
| KWK99254 | 2.556 | 2.562 | 0.787 | 0.905 | 2.850 | 1.378 |
| KWK99256 | 2.560 | 2.566 | 0.781 | 0.938 | 2.891 | 1.375 |
| KWK99259 | 2.595 | 2.602 | 0.781 | 0.938 | 2.990 | 1.250 |
| KWK99260 | 2.622 | 2.628 | 0.500 | 0.625 | 3.047 | 1.375 |
| KWK99261 | 2.618 | 2.624 | 0.781 | 0.938 | 3.047 | 1.375 |
| KWK99262 | 2.625 | 2.631 | 0.781 | 0.938 | 3.047 | 1.375 |
| KWK99264 | 2.621 | 2.627 | 0.781 | 0.906 | 3.047 | 1.375 |
| KWK99267 | 2.747 | 2.753 | 1.438 | 1.625 | 3.075 | 1.625 |
| KWK99268 | 2.727 | 2.733 | 0.781 | 0.906 | 3.125 | 1.313 |
| KWK99269 | 2.750 | 2.756 | 1.125 | 1.250 | 3.125 | 1.250 |
| KWK99270 | 2.747 | 2.753 | 0.781 | 0.906 | 3.125 | 1.250 |
| KWK99272 | 2.750 | 2.756 | 0.406 | 0.563 | 3.125 | 1.250 |
| KWK99273 | 2.740 | 2.746 | 0.781 | 0.938 | 3.065 | 1.250 |
| KWK99274 | 2.745 | 2.751 | 0.781 | 0.938 | 3.125 | 1.250 |
| KWK99275 | 2.750 | 2.756 | 0.781 | 0.938 | 3.125 | 1.250 |
| KWK99276 | 2.753 | 2.759 | 0.787 | 0.945 | 3.125 | 1.250 |
| KWK99281 | 2.809 | 2.815 | 0.594 | 0.688 | 3.188 | 1.250 |
| KWK99282 | 2.838 | 2.844 | 0.500 | 0.656 | 3.225 | 1.250 |
| KWK99286 | 2.866 | 2.872 | 0.781 | 0.938 | 3.188 | 1.250 |
| KWK99287 | 2.873 | 2.879 | 0.781 | 0.938 | 3.219 | 1.250 |
| KWK99289 | 2.950 | 2.956 | 0.594 | 0.689 | 3.272 | 1.102 |
| KWK99290 | 2.937 | 2.943 | 0.500 | 0.641 | 3.344 | 1.331 |
| KWK99291 | 2.990 | 2.996 | 0.484 | 0.625 | 3.359 | 1.331 |
| KWK99292 | 2.972 | 2.976 | 0.813 | - | - | - |
| KWK99293 | 2.937 | 2.943 | 0.781 | 0.938 | 3.344 | 1.250 |
| KWK99294 | 2.950 | 2.956 | 0.866 | 1.024 | 3.305 | 1.312 |
| KWK99296 | 2.997 | 3.003 | 0.813 | 0.938 | 3.240 | 1.375 |
| KWK99298 | 2.990 | 2.996 | 0.563 | 0.688 | 3.359 | 1.375 |
| KWK99299 | 2.990 | 2.996 | 0.813 | 1.000 | 3.359 | 1.250 |
| KWK99300 | 3.000 | 3.006 | 0.813 | 1.000 | 3.453 | 1.250 |
| KWK99301 | 3.008 | 3.014 | 0.500 | 0.625 | 3.355 | 2.000 |
| KWK99303 | 3.000 | 3.006 | 0.625 | 0.813 | 3.345 | 1.063 |
| KWK99307 | 3.124 | 3.132 | 0.551 | 0.709 | 3.525 | 2.031 |
| KWK99311 | 3.120 | 3.126 | 0.688 | 0.813 | 3.531 | 2.000 |
| KWK99312 | 3.120 | 3.126 | 0.813 | 1.000 | 3.531 | 2.000 |
| KWK99313 | 3.142 | 3.150 | 0.750 | 0.886 | 3.540 | 1.375 |
| KWK99315 | 3.146 | 3.153 | 0.827 | 0.945 | 3.543 | 1.375 |
| KWK99317 | 3.146 | 3.153 | 0.433 | 0.590 | 3.543 | 1.378 |
| KWK99322 | 3.247 | 3.253 | 0.813 | 1.000 | 3.594 | 1.375 |
| KWK99323 | 3.248 | 3.254 | 0.600 | 0.725 | 3.585 | 1.375 |
| KWK99324 | 3.250 | 3.256 | 0.595 | 0.719 | 3.594 | 1.375 |
| KWK99325 | 3.250 | 3.256 | 0.813 | 1.000 | 3.594 | 1.375 |
| KWK99326 | 3.250 | 3.256 | 0.688 | 0.875 | 3.585 | 1.250 |



| Part Number | Shaft Diameter Range (A) | | Width on Shaft (B) | Overall Width (C) | Flange Diameter (D) | Installation (E) |
|-------------|--------------------------|-------|--------------------|-------------------|---------------------|------------------|
| KWK99328 | 3.225 | 3.231 | 0.661 | 0.850 | 3.587 | 1.732 |
| KWK99331 | 3.307 | 3.313 | 0.813 | 1.000 | 3.688 | 1.375 |
| KWK99333 | 3.337 | 3.346 | 0.827 | 0.984 | 3.700 | 1.378 |
| KWK99334 | 3.338 | 3.346 | 0.827 | 0.984 | 3.697 | 1.433 |
| KWK99337 | 3.373 | 3.379 | 0.813 | 1.000 | 3.688 | 1.375 |
| | | | | | | |
| KWK99338 | 3.373 | 3.379 | 0.375 | 0.500 | 3.688 | 1.410 |
| KWK99339 | 3.435 | 3.441 | 0.781 | 0.906 | 3.844 | 1.406 |
| KWK99340 | 3.477 | 3.483 | 0.781 | 0.906 | 3.835 | 1.406 |
| KWK99347 | 3.500 | 3.506 | 0.315 | 0.500 | 3.827 | 1.339 |
| KWK99349 | 3.501 | 3.507 | 0.626 | 0.811 | 3.842 | 1.339 |
| | | | | | | |
| KWK99350 | 3.500 | 3.506 | 0.813 | 1.000 | 3.844 | 1.375 |
| KWK99351 | 3.540 | 3.546 | 0.710 | 0.906 | 4.000 | 1.813 |
| KWK99353 | 3.540 | 3.546 | 0.528 | 0.665 | 4.000 | 1.732 |
| KWK99354 | 3.540 | 3.546 | 0.906 | 1.102 | 4.000 | 1.750 |
| KWK99356 | 3.560 | 3.566 | 0.813 | 1.000 | 3.900 | 1.750 |
| | | | | | | |
| KWK99359 | 3.685 | 3.691 | 0.813 | 0.938 | 4.025 | 1.750 |
| KWK99360 | 3.618 | 3.624 | 0.811 | 1.000 | 4.031 | 1.732 |
| KWK99362 | 3.623 | 3.629 | 0.813 | 1.000 | 4.031 | 1.750 |
| KWK99363 | 3.623 | 3.629 | 0.500 | 0.625 | 4.025 | 1.750 |
| KWK99364 | 3.740 | 3.746 | 0.469 | 0.594 | 4.035 | 1.750 |
| | | | | | | |
| KWK99365 | 3.685 | 3.691 | 0.813 | 0.938 | 4.025 | 1.750 |
| KWK99367 | 3.750 | 3.756 | 0.344 | 0.500 | 4.031 | 1.750 |
| KWK99368 | 3.684 | 3.690 | 0.313 | 0.438 | 3.830 | 0.375 |
| KWK99369 | 3.737 | 3.743 | 0.827 | 0.945 | 4.025 | 1.750 |
| KWK99372 | 3.750 | 3.756 | 0.688 | 0.875 | 4.031 | 1.875 |
| | | | | | | |
| KWK99374 | 3.740 | 3.746 | 0.344 | 0.500 | 4.031 | 1.750 |
| KWK99376 | 3.746 | 3.752 | 0.563 | 0.688 | 4.025 | 1.750 |
| KWK99387 | 3.873 | 3.879 | 0.813 | 1.000 | 4.219 | 1.875 |
| KWK99393 | 3.935 | 3.941 | 0.813 | 1.000 | 4.313 | 1.340 |
| KWK99395 | 3.998 | 4.006 | 0.600 | 0.725 | - | 2.050 |

| Part Number | Shaft Diameter Range (A) | | Width on Shaft (B) | Overall Width (C) | Flange Diameter (D) | Installation (E) |
|-------------|--------------------------|-------|--------------------|-------------------|---------------------|------------------|
| KWK99399 | 3.998 | 4.006 | 0.813 | 1.000 | 4.375 | 1.250 |
| KWK99400 | 3.998 | 4.006 | 0.650 | 0.775 | 4.375 | 1.375 |
| KWK99401 | 3.998 | 4.006 | 0.500 | 0.625 | 4.375 | 2.066 |
| KWK99412 | 4.122 | 4.130 | 0.813 | 1.000 | 4.420 | 1.375 |
| KWK99413 | 4.130 | 4.138 | 0.787 | 0.906 | 4.470 | 1.378 |
| KWK99418 | 4.183 | 4.191 | 0.813 | 1.000 | 4.500 | 1.375 |
| KWK99423 | 4.226 | 4.234 | 0.781 | 0.906 | 4.610 | 1.438 |
| KWK99424 | 4.248 | 4.256 | 0.813 | 1.000 | 4.813 | 1.375 |
| KWK99435 | 4.327 | 4.335 | 0.509 | 0.650 | 4.921 | 1.250 |
| KWK99437 | 4.370 | 4.378 | 0.813 | 1.000 | 4.750 | 1.650 |
| KWK99439 | 4.434 | 4.442 | 1.000 | 1.142 | 4.813 | 1.313 |
| KWK99450 | 4.496 | 4.504 | 0.813 | 1.000 | 5.000 | 1.375 |
| KWK99452 | 4.523 | 4.531 | 0.813 | 0.938 | 5.000 | 1.250 |
| KWK99463 | 4.621 | 4.629 | 1.000 | 1.250 | 5.063 | 1.375 |
| KWK99465 | 4.621 | 4.629 | 0.438 | 0.625 | 5.000 | 1.375 |
| KWK99468 | 4.685 | 4.693 | 0.812 | 1.000 | 5.062 | 1.375 |
| KWK99472 | 4.801 | 4.807 | 0.787 | 0.945 | 5.177 | 1.260 |
| KWK99473 | 4.720 | 4.728 | 0.787 | 0.984 | 5.110 | 1.260 |
| KWK99475 | 4.746 | 4.754 | 0.500 | 0.750 | 5.250 | 1.500 |
| KWK99487 | 4.871 | 4.879 | 0.625 | 0.752 | 5.252 | 1.457 |
| KWK99490 | 4.917 | 4.925 | 0.394 | 0.551 | 5.402 | 1.457 |
| KWK99491 | 5.117 | 5.125 | 0.866 | 0.996 | 5.942 | 1.299 |
| KWK99492 | 4.917 | 4.925 | 1.024 | 1.260 | 5.400 | 1.438 |
| KWK99494 | 5.110 | 5.118 | 0.750 | 0.938 | 5.493 | 1.181 |
| KWK99498 | 4.998 | 5.006 | 0.688 | 0.875 | 5.400 | 1.438 |
| KWK99499 | 4.998 | 5.006 | 0.813 | 1.000 | 5.406 | 1.500 |
| KWK99525 | 5.246 | 5.254 | 0.813 | 1.000 | 5.560 | 1.250 |
| KWK99537 | 5.371 | 5.379 | 0.813 | 1.000 | 5.875 | 1.250 |
| KWK99549 | 5.498 | 5.506 | 0.812 | 1.000 | 5.938 | 1.250 |
| KWK99552 | 5.508 | 5.516 | 0.807 | 1.000 | 5.945 | 1.250 |
| KWK99575 | 5.746 | 5.754 | 0.813 | 1.000 | 6.180 | 1.750 |
| KWK99587 | 5.871 | 5.879 | 1.000 | 1.250 | 6.188 | 1.313 |
| KWK99595 | 5.895 | 5.905 | 1.024 | 1.181 | 6.260 | 1.338 |
| KWK99596 | 5.934 | 5.942 | 1.000 | 1.125 | 6.375 | 1.875 |
| KWK99599 | 5.995 | 6.003 | 1.000 | 1.250 | 6.375 | 1.750 |
| KWK99601 | 5.995 | 6.003 | 0.500 | 0.750 | 6.360 | 1.750 |
| KWK99606 | 6.092 | 6.102 | 1.024 | 1.181 | 6.500 | 1.299 |
| KWK99625 | 6.245 | 6.255 | 1.031 | 1.250 | 6.625 | 1.750 |
| KWK99630 | 6.289 | 6.299 | 1.000 | 1.250 | 7.000 | 1.800 |
| KWK99640 | 6.683 | 6.693 | 1.250 | 1.496 | 7.188 | 1.750 |
| KWK99650 | 6.495 | 6.505 | 1.000 | 1.250 | 7.000 | 1.750 |
| KWK99675 | 6.745 | 6.755 | 0.813 | 1.063 | 7.125 | 1.750 |
| KWK99700 | 6.995 | 7.005 | 1.000 | 1.250 | 7.500 | 1.750 |
| KWK99721 | 7.077 | 7.087 | 1.300 | 1.496 | 7.500 | 1.752 |
| KWK99725 | 7.244 | 7.254 | 1.250 | 1.500 | 7.760 | 2.175 |
| KWK99750 | 7.495 | 7.505 | 0.813 | 1.000 | 7.875 | 1.250 |
| KWK99775 | 7.745 | 7.755 | 1.000 | 1.313 | 8.270 | 1.875 |
| KWK99787 | 7.869 | 7.879 | 1.359 | 1.500 | 8.375 | 1.750 |
| KWK99799 | 7.933 | 7.943 | 1.000 | 1.250 | 8.375 | 1.750 |
| KWK99800 | 7.995 | 8.005 | 1.000 | 1.250 | 8.375 | 1.750 |

| Part Number | Shaft | O.D. | Width | Seal Number | Description |
|-------------|-------|-------|-------|--------------------|---|
| PSK-1 | 1.250 | 1.756 | - | SR2 (2) SW2 | (KIT) |
| | | | | 5683 | ++ |
| | | | | 5864 | ++ |
| 5000 | 1.763 | 2.416 | 0.563 | ** - | |
| 5001 | 1.875 | 2.565 | 0.563 | - | |
| 5008 | 4.642 | 5.756 | 0.750 | 455053 | Contains * JX847 Wear Sleeve |
| *5010 | 4.750 | 6.006 | 0.750 | ** 476621H | Contains * J1135 Wear Sleeve |
| 5015 | 3.010 | 8.250 | 0.571 | ** 8369S | Contains * G48 Gasket & * JV495 Wear Sleeve & (2) * G523 Gasket |
| 5026 | 6.000 | 6.757 | 0.750 | ** 336665H | Contains * J1141 Wear Sleeve |
| 5028 | 3.930 | 5.381 | 0.875 | ** 9586 | Contains * JV1511A Wear Sleeve |
| 5033 | 4.834 | 5.756 | 0.710 | ** 3492 | Contains * JX2162 Wear Sleeve |
| 5039 | 5.991 | 6.757 | 0.500 | ** 4165V | Contains * JV2088 Wear Sleeve |
| 5045 | 2.496 | 3.758 | 0.625 | ** 200851% | Contains * JV1582 Wear Sleeve |
| 5065 | 3.994 | 5.005 | 0.625 | ** 455134H | Contains * J1129 Wear Sleeve |
| 5066 | 2.377 | 3.505 | 0.937 | ** 3894V | Contains * JX1920 Wear Sleeve Seal & Sleeve |
| 5068 | - | - | - | - | (Split Seal) |
| 5071 | 1.500 | 2.570 | 0.550 | ** 200861% | Contains * JV933 Wear Sleeve |
| 5072 | 2.625 | 3.480 | 0.380 | - | |
| 5073 | - | - | - | - | Contains (2) G753 Gasket |
| 5075 | 4.500 | 6.259 | 0.862 | ** 9588 | Contains * JV1513 Wear Sleeve |
| 5076 | 3.937 | 5.678 | 0.875 | ** 9586 | Contains * JV1511 Wear Sleeve |
| 5077 | 4.375 | 6.259 | 0.843 | ** 9587 | Contains * JV1512 Wear Sleeve |
| 5079 | 3.110 | 5.750 | 0.375 | ** 7896S | |
| *5082 | 5.180 | 6.507 | 0.750 | ** 456986H | Contains * J2037 Wear Sleeve |
| 5084 | 3.750 | 4.756 | 0.625 | - | |
| 5089 | 3.937 | 5.509 | 0.597 | ** 2155 | Contains * JV1511 Wear Sleeve |
| 5092 | - | 3.030 | 0.325 | - | (Split Seal) |
| 5095 | 3.438 | 4.012 | 0.410 | - | (Rope Type) |
| 5100 | 3.112 | 4.633 | 0.920 | ** 9583 | Contains * JV1508 Wear Sleeve |
| 5106 | - | - | - | - | Split Seal |
| 5108 | - | 4.200 | 0.222 | - | (Split Seal) |
| 5111 | - | - | - | - | (Split Seal) |
| 5112 | - | - | - | - | (Split Seal) |
| 5116 | - | 4.000 | 0.187 | - | (Split Seal) |
| 5117 | 3.438 | 4.313 | 0.188 | - | (Split Seal) |
| 5118 | - | - | - | - | (Split Seal) |
| 5120 | 3.125 | 4.130 | 0.625 | ** 415566N | Contains * J1122 Wear Sleeve |
| 5146 | 5.500 | 6.631 | 0.875 | ** 415487 | Contains * JV1463 Wear Sleeve |
| 5147 | 2.625 | 3.755 | 0.625 | ** 200919 | Contains * JV1517 Wear Sleeve |
| 5160 | 2.250 | 3.256 | 0.625 | ** 412038 | Contains * J1113 Wear Sleeve & * JV1836 Wear Sleeve |
| 5161 | 2.000 | 3.376 | 0.625 | ** 410972 | Contains * J1109 Wear Sleeve & * JV1837 Wear Sleeve |
| 5163 | 2.835 | 3.425 | 0.230 | - | |
| 5164 | 6.875 | 8.633 | 0.825 | ** 3123 ** 3124 | |
| 5166 | 1.250 | 2.254 | 0.750 | ** 410169 | Contains * JV1873 Wear Sleeve |
| 5167 | 3.625 | 4.756 | 0.875 | ** 475379 | Contains * JV1874 Wear Sleeve |
| 5168 | 1.062 | 2.129 | 0.625 | ** 413293 | Contains * JV1872 Wear Sleeve |
| 5169 | 3.250 | 4.254 | 0.750 | ** 476028 | Contains * JV1875 Wear Sleeve |
| 5170 | 4.062 | 5.506 | 0.875 | ** 415039 | Contains * JV1473 Wear Sleeve |

| Part Number | Shaft | O.D. | Width | Seal Number | Description |
|-------------|-------|--------|-------|----------------------|--|
| *5172 | 2.000 | 5.880 | 0.458 | ** 6959 | Contains * K251 Wiper & * G895A Gasket |
| 5175 | 9.265 | 11.385 | 0.990 | ** 455871V | Contains * JV829 Wear Sleeve |
| 5185 | 3.125 | 8.250 | 0.571 | - | |
| 5188 | 2.000 | 3.376 | 0.625 | ** 410972N | Contains * J1109 Wear Sleeve & * JV1837 Wear Sleeve |
| 5189 | 2.250 | 3.256 | 0.625 | ** 412038N | Contains * J1113 Wear Sleeve & * JV1836 Wear Sleeve |
| 5199 | 5.000 | 6.131 | 0.875 | ** 8971H | Contains * JX1831 Wear Sleeve |
| 5200 | 1.502 | 2.381 | 0.940 | ** 9613S | Contains * RP 356 Bushing (Seal & Bushing Kit) |
| 5201 | 1.500 | 2.378 | 1.500 | ** 470059 | Contains * RP 605 Bushing (Seal & Bushing Kit) |
| 5202 | 1.500 | 2.378 | 1.500 | ** 7692S | Contains * RP 605 Bushing (Seal & Bushing Kit) |
| 5203 | 1.689 | 2.850 | 2.120 | ** 7300S | Contains * RP 661 Bushing (Seal & Bushing Kit) |
| 5204 | 1.376 | 2.254 | 1.370 | ** 7495S | Contains * RP 691 Bushing (Seal & Bushing Kit) |
| 5205 | 1.688 | 2.687 | 1.240 | ** 7038SA | Contains RP 717 Bushing (Seal & Bushing Kit) |
| 5206 | 1.688 | 2.850 | 2.120 | ** 7300S | Contains * RP 546 Bushing (Seal & Bushing Kit) |
| 5207 | 1.566 | 2.515 | 1.370 | ** 8935S | Contains * RP 553 Bushing (Seal & Bushing Kit) |
| 5208 | 1.887 | 1.998 | 1.000 | ** 9449 | Contains RP775 Bushing (Seal & Bushing Kit) |
| 5227 | 9.375 | 11.383 | 0.825 | ** 3502 ** 3503 | |
| 5228 | 5.875 | 7.008 | 0.875 | ** 456055V | Contains * JX1002 Wear Sleeve |
| 5229 | 4.993 | 6.131 | 0.750 | ** 416172 | Contains * J1137 Wear Sleeve |
| 5273 | 2.991 | 3.637 | 0.385 | ** 100202T | (Tefbnf) |
| 5274 | 3.740 | 4.540 | 0.492 | ** 100203T | Contains 733215 Gasket (Tefbn |
| 5276 | 7.369 | 9.010 | 0.875 | ** 415551 | Contains * JV1190 Wear Sleeve |
| 5277 | 3.625 | 4.256 | 0.390 | ** 100204T | (Tefbnf) |
| 5278 | 3.750 | 4.506 | 0.362 | ** 100205T | (Tefbnf) |
| 5279 | 3.583 | 4.375 | 0.394 | ** 100052T | Contains 731414 Gasket (Tefbn f) |
| 5287 | 3.465 | 4.266 | 0.437 | ** 100239T | Contains 732079 Gasket & * 733419 Gasket & 734280 Gasket (Tefbnf) |
| 5290 | 2.988 | 3.740 | 1.165 | ** - | |
| 5302 | 1.750 | 3.376 | 0.667 | ** 8398 | Contains * K259 Wiper |
| 5313 | 3.010 | 8.250 | 0.571 | ** 8369S | Contains * K282 Wiper & (2) * G523 Gasket |
| 5327 | 3.500 | 6.625 | 0.531 | ** 6245S | Contains (2) * G35 Gasket |
| 5329 | 2.000 | 4.562 | 0.562 | 6465B | Contains (2) G33 Gasket |
| 5330 | 2.000 | 4.562 | 0.562 | ** 6469 | Contains (2) * G34 Gasket |
| 5331 | 1.562 | 2.506 | 0.500 | ** 450185 | Contains * G199 Gasket |
| 5332 | 2.187 | 3.194 | 0.437 | 450354 | Contains * G25 Gasket |
| 5336 | 1.875 | 2.762 | 0.500 | ** 410283 | Contains * G736 Gasket |
| 5346 | 1.062 | 1.507 | 0.250 | ** 340210 | Contains (2) * 666215 'O' Ring & * 666232 'O' Ring & * 666334 'O' Ring |
| 5347 | 3.562 | 4.630 | 0.700 | ** 8480 | Contains * JV1170 Wear Sleeve |
| 5361 | 1.875 | 3.130 | 0.625 | ** 450310N | Contains * J1107 Wear Sleeve |
| 5364 | 1.766 | 3.005 | 0.875 | ** 451139 | Contains * JX825 Wear Sleeve |
| 5373 | 3.250 | 4.254 | 0.625 | ** 416294N | Contains * J1123 Wear Sleeve |
| 5376 | 4.000 | 5.004 | 0.625 | ** 413134N | Contains * J1129 Wear Sleeve |
| 5377 | 4.750 | 6.256 | 0.750 | ** 415068N | Contains * J1135 Wear Sleeve |
| 5381 | 3.250 | 5.004 | 0.625 | ** 415025 | Contains * J1123 Wear Sleeve |
| 5382 | 3.250 | 4.254 | 0.625 | ** 415613 | Contains * J1123 Wear Sleeve |
| 5383 | 5.625 | 6.632 | 1.000 | 455447 | Contains * J1355 Wear Sleeve |
| 5384 | 2.531 | 6.125 | 0.500 | ** 7154S | Contains & G41 Gasket |
| 5388 | 1.875 | 2.690 | 0.625 | 450360 | Contains * J1107 Wear Sleeve |
| 5390 | - | 6.600 | 0.430 | - | Contains (2) * G214 Gasket & (2) * G594 Gasket |
| 5397 | 2.121 | 3.350 | 0.500 | ** 9434 ** 482435 | |

| Part Number | Shaft | O.D. | Width | Seal Number | Description |
|-------------|-------|-------|-------|-------------|---|
| 5399 | 2.812 | 4.504 | 1.000 | ** 415356 | Contains * JV1427 Wear Sleeve |
| 5401 | 2.500 | 6.125 | 0.435 | ** 7512S | Contains (2) * G41 Gasket & * G43 Gasket & * JV1304 Wear Sleeve |
| 5403 | 2.860 | 6.562 | 0.571 | ** 6479 | Contains J493 Wear Sleeve |
| 5405 | 3.125 | 7.500 | 0.625 | ** 6480 | Contains * G49 Gasket & * K282 Wiper |
| 5406 | 2.562 | 8.250 | 1.003 | ** 6481N | Contains * G40 Gasket & * K282 Wiper |
| 5408 | 3.124 | 8.250 | 0.518 | ** 6477S | Contains (2) * G40 Gasket & * G42 Gasket & * J873 Wear Sleeve |
| 5410 | 3.125 | 8.125 | 0.571 | ** 6505S | Contains * G48 Gasket & (2) * G54 Gasket & * JV495 Wear Sleeve |
| 5414 | - | 5.625 | 0.430 | - | Contains (2) * G129 Gasket & * G130 Gasket & * G131 Gasket |
| 5419 | - | 6.906 | 0.440 | - | Contains (2) * G137 Gasket |
| 5422 | 5.187 | 6.513 | 1.380 | ** 327984 | Contains * JF2280 Wear Sleeve |
| 5424 | 5.179 | 6.513 | 1.380 | ** 327984 | Contains * JF2280 Wear Sleeve |
| 5436 | 6.500 | 8.007 | 0.750 | 914414 | Contains JG2361 Wear Sleeve |
| 5441 | 6.500 | 8.007 | 0.750 | 914411 | Contains JL2361 Wear Sleeve |
| 5443 | 6.500 | 8.007 | 1.000 | 914413 | Contains JG2345 Wear Sleeve |
| 5452 | 3.000 | 8.250 | 0.531 | 6764S | Contains * G48 Gasket & * G167 Gasket & * J495 Wear Sleeve |
| 5453 | 3.625 | 4.879 | 0.585 | ** 485497 | Contains * 633013 'O' Ring Kit |
| 5458 | 1.880 | 2.414 | 0.250 | ** 6910S | Contains * 610101 'O' Ring |
| 5460 | 4.687 | 5.756 | 1.562 | ** 455251H | Contains * JV729 Wear Sleeve |
| 5461 | 4.687 | 5.756 | 1.562 | ** 75251S | Contains * J729 Wear Sleeve |
| 5462 | 1.172 | 1.832 | 0.422 | ** 6370N | Contains * J712 Wear Sleeve |
| 5465 | 3.937 | 5.506 | 0.859 | ** 455037 | Contains * JV1362 Wear Sleeve |
| 5471 | 4.812 | 6.316 | 1.250 | ** 6872S | Contains * JV701 Wear Sleeve |
| 5472 | 4.812 | 7.004 | 1.250 | ** 7006S | Contains * JV701 Wear Sleeve |
| 5473 | 4.812 | 6.505 | 1.125 | ** 6873S | Contains * JV701 Wear Sleeve |
| 5475 | 3.868 | 5.506 | 0.921 | ** 6864S | Contains * J718 Wear Sleeve |
| 5476 | - | 4.875 | 0.455 | ** - | Contains (2) * G211 Gasket |
| *5479 | - | 4.862 | 0.410 | - | Contains (2) * G196 Gasket & (2) * G214 Gasket |
| 5481 | 4.759 | 6.316 | 1.250 | ** 6872S | Contains * JV753 Wear Sleeve |
| 5483 | 4.759 | 6.505 | 1.125 | ** 6873S | Contains * JV753 Wear Sleeve |
| 5487 | 2.000 | 5.880 | 0.448 | - | Contains (2) * G221 Gasket & * K251 Wiper |
| 5488 | 2.129 | 2.766 | 0.250 | ** 6957 | Contains * 610123 'O' Ring |
| 5494 | 3.010 | 8.150 | 0.925 | ** 6897 | Contains (2) * G40 Gasket & * K156 Wiper |
| 5495 | 4.759 | 7.004 | 1.250 | ** 7006S | Contains * JV753 Wear Sleeve |
| 5499 | 1.915 | 2.548 | 0.250 | ** 7020 | Contains * 610105 'O' Ring |
| 5509 | 3.119 | 4.130 | 0.750 | ** 255566H | Contains * J1401 Wear Sleeve |
| 5518 | 3.119 | 4.756 | 0.875 | - | |
| *5520 | 2.432 | 3.756 | 0.750 | ** 415244 | Contains * JV1455 Wear Sleeve |
| 5521 | 2.120 | 3.505 | 0.750 | ** 415093 | Contains * JV1456 Wear Sleeve |
| 5526 | 3.994 | 5.004 | 0.718 | ** 415134 | Contains * JV1461 Wear Sleeve |
| 5527 | 4.743 | 6.256 | 0.812 | 415068 | Contains * JV1462 Wear Sleeve |
| 5531 | 1.812 | 2.879 | 0.718 | ** 410295 | Contains * JV1464 Wear Sleeve |
| 5532 | 3.562 | 5.256 | 0.468 | ** 416670 | Contains * JV1469 Wear Sleeve |
| 5537 | 4.062 | 6.000 | 0.875 | ** 416673 | Contains * JV1473 Wear Sleeve |
| 5538 | 6.875 | 8.382 | 0.750 | ** 416674 | Contains * JV1474 Wear Sleeve |
| 5550 | 1.438 | 2.192 | 0.480 | ** 9249 | Contains * 623017 'O' Ring |
| *5551 | 3.500 | 5.256 | 0.718 | ** 416335 | Contains * JV1494 Wear Sleeve |
| 5563 | 3.937 | 5.506 | 0.859 | ** 6864S | Contains * JV1362 Wear Sleeve |
| 5567 | 2.430 | 3.031 | 0.380 | - | |
| 5573 | 1.915 | 2.548 | 0.250 | ** 7020 | Contains * 610145 'O' Ring |
| 5575 | 4.687 | 7.635 | 0.359 | ** 6701 | Contains JV608 Wear Sleeve |

| Part Number | Shaft | O.D. | Width | Seal Number | Description |
|-------------|-------|--------|-------|----------------------------|--|
| *5576 | - | 5.700 | 0.415 | - | Contains (2) * G427 Gasket |
| 5578 | 3.125 | 4.130 | 1.000 | ** 485500N | Contains * K179 Wiper |
| 5581 | 4.000 | 5.004 | 0.937 | ** 7390 | Contains * JV943 Wear Sleeve |
| 5584 | 2.750 | 3.881 | 1.000 | ** 415479N | Contains * K198 Wiper |
| 5588 | 3.375 | 4.380 | 0.812 | ** 8130 | Contains * JV976 Wear Sleeve |
| 5589 | 2.129 | 2.766 | 0.250 | ** 6957 | Contains * 666151 'O' Ring |
| 5591 | - | 6.240 | 0.400 | - | Contains (2) * G462 Gasket & (2) * G463 Gasket |
| 5592 | 1.493 | 2.507 | 0.700 | ** 8097 | Contains * JV970 Wear Sleeve |
| 5593 | 3.250 | 4.572 | 0.750 | ** 200870 | Contains * JV980 Wear Sleeve |
| 5594 | 1.875 | 4.812 | 0.312 | ** 7105S | Contains (2) * G196 Gasket & (2) * G456 Gasket |
| 5596 | - | 4.875 | 0.410 | - | Contains (2) * G196 Gasket & (2) * G456 Gasket |
| 5599 | 1.875 | 2.627 | 0.843 | ** 470455 | Contains * J990 Wear Sleeve |
| 5601 | 2.875 | 3.756 | 0.625 | ** 476023N | Contains * JV1120 Wear Sleeve |
| 5602 | 2.375 | 3.433 | 1.000 | ** 473274N | Contains * JV1802 Wear Sleeve |
| 5603 | 2.375 | 4.943 | 1.000 | ** 3136N | Contains * JV1802 Wear Sleeve |
| 5604 | 2.125 | 3.072 | 0.433 | ** 3948 | Contains * JV2019 Wear Sleeve |
| 5609 | 3.250 | 4.008 | 0.866 | - | |
| 5613 | 6.079 | 7.336 | 0.750 | ** 2628 | Contains * K458 Wiper & * J1842 Wear Sleeve |
| 5615 | 7.908 | 9.508 | 0.960 | ** 3624 ** 3776S | |
| 5624 | 5.000 | 6.131 | 0.875 | ** 456557 | Contains * JX1831 Wear Sleeve |
| 5625 | 4.646 | 5.756 | 0.625 | ** 485138 | Contains * JX1386 Wear Sleeve |
| 5629 | 3.000 | 4.008 | 0.625 | ** 457034 | Contains * J1121 Wear Sleeve |
| 5632 | 9.057 | 10.719 | 1.000 | ** 3689 | Contains * J1984 Wear Sleeve |
| *5634 | 6.204 | 7.336 | 0.812 | ** 3807 | Contains * J1825 Wear Sleeve |
| 5637 | 6.079 | 7.336 | 0.600 | ** 2628 | Contains * J1895 Wear Sleeve |
| 5643 | 4.875 | 6.006 | 0.715 | ** 3782 | Contains * J1606 Wear Sleeve |
| 5645 | 5.998 | 6.757 | 0.675 | ** 4165V | Contains * J2051 Wear Sleeve |
| 5649 | 3.562 | 5.125 | 0.875 | ** 9584 | Contains * JV1509 Wear Sleeve |
| 5650 | - | 5.700 | 0.415 | - | |
| 5657 | 3.000 | 4.008 | 0.687 | ** 457034 | Contains * JX1747 Wear Sleeve |
| 5665 | 4.841 | 5.756 | 0.750 | ** 3492V | Contains JX1967 Wear Sleeve |
| 5666 | 2.340 | 3.355 | 0.650 | ** 3501V | Contains * JX1966 Wear Sleeve |
| 5667 | 3.865 | 6.102 | 0.975 | ** 4269 | Contains * J2058 Wear Sleeve |
| 5682 | - | - | - | - | |
| 5685 | - | - | - | - | |
| 5686 | - | - | - | - | (Kit) |
| 5690 | - | - | - | - | (Repair Kit) |
| 5694 | - | - | - | ** 1884 ** 4899 | (Kit) |
| 5695 | 2.010 | 2.965 | 0.318 | 722111 ** SK1 ** SK2 | Contains *SK3 Wear Sleeve (Kit) |
| 5696 | 2.047 | 2.964 | 0.315 | ** 1993 ** 4898 | (Kit) |
| 5697 | 1.875 | 3.150 | 0.315 | 722110 4051 | Contains * AS232 'O' Ring |
| 5698 | 2.420 | 3.558 | 0.336 | 4185 | Contains * AS043 'O' Ring |
| 5699 | 1.875 | 2.808 | 0.433 | 4310 | Contains * AS232 'O' Ring |
| 5700 | - | - | - | - | (Kit) |
| 5722 | 5.000 | 6.006 | 0.717 | ** 947090 | Contains * JL2370 Wear Sleeve |

| Shaft | Bore | O.D. | Width | Part Number | Style | Matl | Shaft | Bore | O.D. | Width | Part Number | Style | Matl |
|-------|------|-------|-------|-------------|-------|------|-------|------|-------|-------|-------------|-------|------|
| 6 | 16 | 16.28 | 7 | 61607XX_ | 350 | S | 14 | 25 | 25.22 | 7 | 710116_ | 320 | N |
| 6 | 22 | 22.28 | 7 | 62207XX_ | 350 | S | 14 | 26 | 26.23 | 7 | 142607XX_ | 320 | S |
| 7 | 16 | 16.28 | 7 | 71607XX_ | 320 | S | 14 | 27 | 27.20 | 7 | 142707XX_ | 320 | S |
| 7 | 22 | 22.28 | 7 | 72207XX_ | 350 | S | 14 | 28 | 28.23 | 6 | 142806XX_ | 350 | S |
| 8 | 14 | 14.20 | 4 | 81404XX_ | 350 | S | 14 | 30 | 30.20 | 7 | 143007XX_ | 320 | S |
| 8 | 16 | 16.20 | 6 | 220860_ | 350 | S | 14 | 32 | 32.20 | 7 | 143207XX_ | 320 | S |
| 8 | 16 | 16.23 | 7 | 81607XX_ | 350 | S | 14 | 35 | 35.22 | 7 | 143507XX_ | 350 | S |
| 8 | 18 | 18.20 | 5 | 81805XX_ | 350 | S | 15 | 20 | 20.10 | 5 | 710346_ | 490 | S |
| 8 | 18 | 18.20 | 7 | 220818_ | 320 | S | 15 | 24 | 24.20 | 7 | 2027_ | 350 | S |
| 8 | 18 | 18.20 | 7 | 81807XX_ | 320 | S | 15 | 24 | 24.23 | 7 | 152407XX_ | 350 | S |
| 8 | 22 | 22.28 | 7 | 82207XX_ | 320 | S | 15 | 25 | 25.20 | 5 | 152505XX_ | 320 | S |
| 8 | 22 | 22.20 | 7 | 82207XX_ | 320 | S | 15 | 25 | 25.25 | 6 | 221510_ | 320 | N |
| 8 | 24 | 24.28 | 7 | 82407XX_ | 350 | S | 15 | 25 | 25.20 | 7 | 152507XX_ | 350 | S |
| 9 | 18 | 18.20 | 7 | 91807XX_ | 350 | S | 15 | 26 | 26.23 | 7 | 152607XX_ | 350 | S |
| 9 | 18 | 18.20 | 7 | 220918_ | 350 | S | 15 | 28 | 28.20 | 7 | 152807XX_ | 320 | S |
| 9 | 22 | 22.20 | 7 | 92207XX_ | 350 | S | 15 | 30 | 30.23 | 7 | 221540_ | 350 | S |
| 9 | 24 | 24.28 | 7 | 92407XX_ | 350 | S | 15 | 30 | 30.23 | 7 | 153007XX_ | 350 | S |
| 9 | 26 | 26.28 | 7 | 92607XX_ | 350 | S | 15 | 32 | 32.20 | 7 | 153207XX_ | 350 | S |
| 10 | 19 | 19.23 | 7 | 221040_ | 350 | S | 15 | 32 | 32.20 | 7 | 153207XX_ | 350 | S |
| 10 | 19 | 19.20 | 7 | 101907XX_ | 350 | S | 15 | 32 | 32.22 | 8 | 153208XX_ | 350 | S |
| 10 | 22 | 22.28 | 7 | 102207XX_ | 320 | S | 15 | 35 | 35.23 | 7 | 153507XX_ | 350 | S |
| 10 | 24 | 24.23 | 7 | 102407XX_ | 350 | S | 15 | 37 | 37.20 | 6 | 153706XX_ | 320 | S |
| 10 | 25 | 25.28 | 7 | 102507XX_ | 320 | S | 15 | 40 | 40.20 | 7 | 154007XX_ | 320 | S |
| 10 | 26 | 26.23 | 7 | 102607XX_ | 320 | S | 16 | 22 | 22.20 | 4 | 162204XX_ | 320 | S |
| 11 | 17 | 17.25 | 4 | 111704XX_ | 320 | S | 16 | 24 | 24.20 | 6 | 162406XX_ | 320 | S |
| 11 | 22 | 22.28 | 7 | 112207XX_ | 350 | S | 16 | 24 | 24.20 | 7 | 162407XX_ | 320 | S |
| 11 | 22 | 22.23 | 7 | 221122_ | 350 | S | 16 | 25 | 25.20 | 5 | 162405XX_ | 350 | S |
| 11 | 26 | 26.28 | 7 | 112607XX_ | 350 | S | 16 | 26 | 26.20 | 7 | 162607XX_ | 320 | S |
| 12 | 19 | 19.20 | 5 | 121905XX_ | 320 | S | 16 | 27 | 27.20 | 14 | 221607_ | # | N |
| 12 | 20 | 20.28 | 5 | 122005XX_ | 320 | S | 16 | 28 | 28.22 | 7 | 221610_ | 320 | N |
| 12 | 22 | 22.25 | 7 | 122207XX_ | 350 | S | 16 | 28 | 28.23 | 7 | 162807XX_ | 350 | S |
| 12 | 22 | 22.25 | 7 | 221207_ | 350 | S | 16 | 28 | 28.20 | 7 | 162807XX_ | 350 | S |
| 12 | 22 | 22.23 | 7 | 221208_ | 350 | V | 16 | 30 | 30.23 | 7 | 221620_ | 350 | S |
| 12 | 24 | 24.23 | 7 | 122407XX_ | 320 | S | 16 | 30 | 30.23 | 7 | 163007XX_ | 350 | S |
| 12 | 25 | 25.20 | 4.50 | 12X25045XX_ | 320 | S | 16 | 32 | 32.28 | 7 | 163207XX_ | 320 | S |
| 12 | 25 | 25.25 | 7 | 122507XX_ | 480 | S | 16 | 35 | 35.23 | 7 | 163507XX_ | 350 | S |
| 12 | 26 | 26.20 | 7 | 122607XX_ | 320 | S | 16 | 38 | 38.20 | 7 | 163807XX_ | 320 | S |
| 12 | 28 | 28.20 | 7 | 122807XX_ | 350 | S | 16 | 40 | 40.20 | 7 | 164007XX_ | 320 | S |
| 12 | 30 | 30.20 | 7 | 123007XX_ | 350 | S | 17 | 25 | 25.15 | 5 | 710362_ | 490 | S |
| 12 | 32 | 32.20 | 7 | 123207XX_ | 350 | S | 17 | 27 | 27.20 | 7 | 172707XX_ | 320 | S |
| 12 | 35 | 35.20 | 7 | 123507XX_ | 320 | S | 17 | 28 | 28.23 | 7 | 172807XX_ | 350 | S |
| 13 | 22 | 22.20 | 6 | 710348_ | 320 | S | 17 | 28 | 28.22 | 7 | 221710_ | 350 | S |
| 13 | 22 | 22.20 | 6 | 132206XX_ | 320 | S | 17 | 30 | 30.23 | 7 | 173007XX_ | 350 | S |
| 13 | 26 | 26.20 | 7 | 132607XX_ | 320 | S | 17 | 30 | 30.23 | 7 | 221720_ | 470 | S |
| 13 | 28 | 28.20 | 7 | 132807XX_ | 320 | S | 17 | 32 | 32.22 | 7 | 173207XX_ | 350 | S |
| 13 | 30 | 30.20 | 7 | 133007XX_ | 320 | S | 17 | 32 | 32.23 | 7 | 221730_ | 350 | S |
| 14 | 24 | 24.23 | 6 | 221410_ | 350 | S | 17 | 34 | 34.14 | 7.90 | 710251_ | 470 | N |
| 14 | 24 | 24.23 | 7 | 142407XX_ | 350 | S | 17 | 35 | 35.18 | 7 | 173507XX_ | 350 | S |
| 14 | 24 | 24.17 | 12.70 | 2004_ | # | S | 17 | 35 | 35.23 | 7 | 221735_ | 350 | S |
| 14 | 25 | 25.23 | 5 | 142505XX_ | 320 | S | 17 | 35 | 35.20 | 8 | 173508XX_ | 350 | S |

| Shaft | Bore | O.D. | Width | Part Number | Style | Matl | Shaft | Bore | O.D. | Width | Part Number | Style | Matl |
|-------|-------|-------|-------|-------------|-------|------|-------|-------|-------|-------|-------------|-------|------|
| 17 | 37 | 37.20 | 7 | 173707XX_ | 320 | S | 20 | 40 | 40.23 | 7 | 222050_ | 350 | S |
| 17 | 38 | 38.20 | 7 | 173807XX_ | 320 | S | 20 | 40 | 40.23 | 10 | 204010XX_ | 350 | S |
| 17 | 40 | 40.23 | 7 | 174007XX_ | 350 | S | 20 | 42 | 42.25 | 7 | 204207XX_ | 350 | S |
| 17 | 47 | 47.20 | 7 | 174707XX_ | 350 | S | 20 | 42 | 42.15 | 10 | 204210XX_ | 320 | S |
| 17 | 47 | 47.20 | 8 | 174708XX_ | 320 | S | 20 | 47 | 47.22 | 7 | 204707XX_ | 350 | S |
| 17 | 30 | 30.23 | 7 | 710344_ | 320 | S | 20 | 47 | 47.22 | 7 | 222060_ | 350 | S |
| 17.50 | 27.50 | 27.74 | 7 | 710299_ | 660 | N | 20 | 47 | 47.22 | 8.50 | 710342_→ | 320 | S |
| 18 | 23 | 23.24 | 4 | 710297_ | 340 | S | 20 | 52 | 52.20 | 7 | 205207XX_ | 350 | S |
| 18 | 28 | 28.22 | 6 | 1015_ | 350 | S | 21 | 35 | 35.20 | 7 | 213507XX_ | 320 | S |
| 18 | 28 | 28.22 | 6 | 1015N_ | 350 | S | 21 | 35 | 35.20 | 8 | 213508XX_ | 320 | S |
| 18 | 28 | 28.28 | 6 | 182806XX_ | 350 | S | 22 | 32 | 32.23 | 7 | 223207XX_ | 350 | S |
| 18 | 30 | 30.10 | 6.70 | 3816_ | 2710 | S | 22 | 32 | 32.23 | 7 | 222210_ | 350 | S |
| 18 | 30 | 30.23 | 7 | 183007XX_ | 350 | S | 22 | 35 | 35.23 | 7 | 223507XX_ | 350 | S |
| 18 | 30 | 30.23 | 8 | 221820_ | 320 | S | 22 | 35 | 35.23 | 7 | 222220_ | 320 | S |
| 18 | 32 | 32.23 | 7 | 221830_ | 350 | S | 22 | 36 | 36.20 | 7 | 223607XX_ | 320 | S |
| 18 | 32 | 32.23 | 7 | 710156_ | 320 | S | 22 | 37 | 37.23 | 7 | 223707XX_ | 350 | S |
| 18 | 32 | 32.20 | 7 | 183207XX_ | 350 | S | 22 | 38 | 38.20 | 7 | 223807XX_ | 350 | S |
| 18 | 32 | 32.22 | 8 | 183208XX_ | 350 | S | 22 | 38 | 38.20 | 8 | 223808XX_ | 320 | S |
| 18 | 34 | 34.24 | 7 | 710412_ | 320 | S | 22 | 38 | 38.20 | 8 | 222238_ | 320 | S |
| 18 | 35 | 35.18 | 7 | 183507XX_ | 320 | S | 22 | 40 | 40.23 | 7 | 224007XX_ | 350 | S |
| 18 | 37 | 37.20 | 8 | 183708XX_ | 320 | S | 22 | 40 | 40.16 | 7 | 1963_ | 350 | N |
| 18 | 38 | 38.20 | 7 | 183807XX_ | 320 | S | 22 | 40 | 40.23 | 7 | 222240_ | 350 | S |
| 18 | 40 | 40.22 | 7 | 184007XX_ | 350 | S | 22 | 40 | 40.20 | 8 | 224008XX_ | 350 | S |
| 19 | 27 | 27.20 | 6 | 192706XX_ | 350 | S | 22 | 40 | 40.23 | 9 | 222242_ | 320 | N |
| 19 | 30 | 30.23 | 5 | 221920_ | 320 | S | 22 | 42 | 42.20 | 7 | 224207XX_ | 320 | S |
| 19 | 30 | 30.20 | 7 | 193007XX_ | 320 | S | 22 | 42 | 42.20 | 10 | 224210XX_ | 350 | S |
| 19 | 32 | 32.20 | 7 | 193207XX_ | 350 | S | 22 | 45 | 45.23 | 7 | 224507XX_ | 350 | S |
| 19 | 32 | 32.20 | 8 | 193208XX_ | 320 | S | 22 | 45 | 45.24 | 8 | 222267_← | 320 | H |
| 19 | 32 | 32.23 | 8 | 221922_ | 320 | S | 22 | 47 | 47.23 | 7 | 224707XX_ | 350 | S |
| 19 | 35 | 35.23 | 8 | 710445_ | 350 | S | 23 | 31.80 | 32.03 | 5.50 | 710254_ | 340 | S |
| 19 | 35 | 35.23 | 10 | 193510XX_ | 350 | S | 23 | 34 | 34.24 | 8 | 222330_← | 320 | N |
| 19 | 35 | 35.23 | 10 | 710273_ | 350 | S | 24 | 35 | 35.23 | 7 | 222410_ | 350 | S |
| 19 | 36 | 36.23 | 6.50 | 221925_ | 350 | S | 24 | 35 | 35.23 | 7 | 243507XX_ | 350 | S |
| 19 | 38 | 38.23 | 7 | 710154_ | 320 | S | 24 | 37 | 37.23 | 7 | 243707XX_ | 350 | S |
| 19 | 40 | 40.23 | 10 | 194010XX_ | 350 | S | 24 | 38 | 38.20 | 7 | 243807XX_ | 320 | S |
| 19 | 47 | 47.20 | 7 | 194707XX_ | 320 | S | 24 | 40 | 40.23 | 7 | 222430_ | 350 | S |
| 20 | 26 | 26.24 | 4 | 710249_ | 970 | S | 24 | 40 | 40.23 | 7 | 244007XX_ | 350 | S |
| 20 | 28 | 28.20 | 6 | 202806XX_ | 320 | S | 24 | 42 | 42.20 | 7 | 244207XX_ | 320 | S |
| 20 | 30 | 30.28 | 7 | 203007XX_ | 350 | S | 24 | 42 | 42.25 | 10 | 244210XX_ | 320 | S |
| 20 | 30 | 30.23 | 7 | 222025_ | 350 | S | 24 | 47 | 47.23 | 7 | 244707XX_ | 350 | S |
| 20 | 32 | 32.23 | 7 | 203207XX_ | 350 | S | 24 | 52 | 52.20 | 7 | 245207XX_ | 320 | S |
| 20 | 32 | 32.23 | 7 | 222020_ | 350 | S | 25 | 35 | 35.20 | 6 | 253506XX_ | 320 | S |
| 20 | 35 | 35.23 | 5.50 | 222030_→ | 320 | S | 25 | 35 | 35.25 | 7 | 253506XX_ | 320 | S |
| 20 | 35 | 35.23 | 7 | 203507XX_ | 350 | S | 25 | 35 | 35.13 | 7 | 222510_ | 350 | S |
| 20 | 36 | 36.20 | 7 | 203607XX_ | 320 | S | 25 | 35 | 35.25 | 7 | 712007_ | 480 | V |
| 20 | 36 | 36.22 | 7 | 222036_ | 320 | V | 25 | 36 | 36.23 | 7 | 253607XX_ | 320 | S |
| 20 | 37 | 37.20 | 7 | 203707XX_ | 320 | S | 25 | 36 | 36.22 | 8 | 253608XX_ | 350 | S |
| 20 | 37 | 37.20 | 8 | 203708XX_ | 320 | S | 25 | 37 | 37.20 | 7 | 253707XX_ | 320 | S |
| 20 | 38 | 38.20 | 7 | 203807XX_ | 320 | S | 25 | 38 | 38.23 | 7 | 253807XX_ | 350 | S |
| 20 | 40 | 40.23 | 7 | 204007XX_ | 350 | S | 25 | 38 | 38.23 | 7 | 222535_→ | 320 | S |

METRIC - SIZE

| Shaft | Bore | O.D. | Width | Part Number | Style | Matl | Shaft | Bore | O.D. | Width | Part Number | Style | Matl |
|-------|------|-------|-------|-------------|-------|------|-------|------|-------|-------|-------------|-------|------|
| 25 | 40 | 40.22 | 7 | 254007XX_ | 350 | S | 28 | 47 | 47.22 | 8 | 222860_→ | 320 | N |
| 25 | 40 | 40.23 | 7 | 222540_ | 470 | S | 28 | 48 | 48.20 | 8 | 284808XX_ | 320 | S |
| 25 | 40 | 40.23 | 8 | 710316_→ | 320 | S | 28 | 52 | 52.23 | 7 | 285207XX_ | 350 | S |
| 25 | 42 | 42.20 | 6 | 254206XX_ | 350 | S | 29 | 45 | 45.24 | 8 | 320595_← | 320 | S |
| 25 | 42 | 42.20 | 8 | 254208XX_ | 320 | S | 30 | 40 | 40.23 | 7 | 304007XX_ | 350 | S |
| 25 | 42 | 42.28 | 10 | 254210XX_ | 350 | S | 30 | 40 | 40.23 | 7 | 1129_ | 350 | S |
| 25 | 45 | 45.23 | 8 | 254508XX_ | 350 | S | 30 | 40 | 40.23 | 7 | 223005_ | 480 | S |
| 25 | 46 | 46.20 | 7 | 254607XX_ | 320 | S | 30 | 42 | 42.20 | 7 | 304207XX_ | 350 | S |
| 25 | 47 | 47.23 | 7 | 254707XX_ | 350 | S | 30 | 42 | 42.24 | 7 | 1970_ | 350 | S |
| 25 | 47 | 47.22 | 7 | 222560_ | 350 | S | 30 | 42 | 42.24 | 7 | 223010_→ | 320 | S |
| 25 | 48 | 48.20 | 8 | 254808XX_ | 320 | S | 30 | 44 | 44.28 | 7 | 304407XX_ | 250 | S |
| 25 | 50 | 50.28 | 10 | 255010XX_ | 350 | S | 30 | 44 | 44.22 | 9 | 223012_→ | 320 | N |
| 25 | 52 | 52.27 | 7 | 255207XX_ | 350 | S | 30 | 45 | 45.22 | 5 | 304505XX_ | 320 | S |
| 25 | 52 | 52.20 | 8 | 255208XX_ | 350 | S | 30 | 45 | 45.24 | 6 | 223014_ | 320 | S |
| 25 | 52 | 52.20 | 10 | 255210XX_ | 350 | S | 30 | 45 | 45.20 | 8 | 304508XX_ | 320 | S |
| 25 | 62 | 62.28 | 10 | 256210XX_ | 320 | S | 30 | 45 | 45.24 | 8 | 1981_→ | 350 | N |
| 25 | 62 | 62.28 | 10 | 222580_ | 320 | S | 30 | 45 | 45.20 | 8 | 710359_ | # | S |
| 26 | 37 | 37.20 | 7 | 263707XX_ | 320 | S | 30 | 45 | 45.20 | 15 | 2016_ | # | S |
| 26 | 38 | 38.20 | 5 | 263805XX_ | 320 | S | 30 | 46 | 46.20 | 7 | 304607XX_ | 320 | S |
| 26 | 40 | 40.20 | 7 | 264007XX_ | 320 | S | 30 | 46 | 46.23 | 7 | 223018_→ | 320 | S |
| 26 | 42 | 42.20 | 7 | 264207XX_ | 320 | S | 30 | 46 | 46.23 | 8 | 712001_→ | 320 | N |
| 26 | 42 | 42.14 | 8 | 223606_ | 480 | S | 30 | 47 | 47.25 | 7 | 304707XX_ | 350 | S |
| 26 | 42 | 42.23 | 10 | 264210XX_ | 350 | S | 30 | 47 | 47.22 | 7 | 223020_ | 350 | S |
| 26 | 47 | 47.23 | 7 | 264707XX_ | 350 | S | 30 | 48 | 48.28 | 8 | 304808XX_ | 350 | S |
| 26 | 48 | 48.24 | 7 | 222655_→ | 320 | S | 30 | 48 | 48.24 | 8 | 714619_ | 350 | S |
| 26 | 48 | 48.23 | 7 | 264807XX_ | 320 | S | 30 | 50 | 50.23 | 7 | 305007XX_ | 350 | S |
| 26 | 52 | 52.20 | 8 | 265208XX_ | 320 | S | 30 | 50 | 50.20 | 8 | 305008XX_ | 480 | S |
| 27 | 37 | 37.15 | 7 | 273707XX_ | 350 | S | 30 | 50 | 50.24 | 9 | 223050_← | 320 | S |
| 27 | 42 | 42.23 | 10 | 274210XX_ | 350 | S | 30 | 52 | 52.23 | 7 | 305207XX_ | 350 | S |
| 27 | 43 | 43.23 | 7 | 710157_→ | 320 | S | 30 | 52 | 52.27 | 7 | 223035_ | 350 | S |
| 27 | 43 | 43.20 | 8 | 274308XX_ | 320 | S | 30 | 55 | 55.28 | 10 | 305510XX_ | 350 | S |
| 27 | 43 | 43.23 | 9 | 1990_→ | 320 | N | 30 | 56 | 56.20 | 8 | 305608XX_ | 350 | S |
| 27 | 43 | 43.20 | 9 | 222743_← | 320 | H | 30 | 58 | 58.09 | 9.50 | 3907_ | 570 | N |
| 27 | 45 | 45.25 | 8 | 274508XX_ | 350 | S | 30 | 62 | 62.28 | 7 | 306207XX_ | 350 | S |
| 27 | 45 | 45.24 | 9 | 222745_← | 320 | N | 30 | 72 | 72.27 | 10 | 307210XX_ | 350 | S |
| 27 | 47 | 47.23 | 10 | 274710XX_ | 350 | S | 31 | 44 | 44.20 | 8 | 314408XX_ | 320 | S |
| 27 | 52 | 52.20 | 8 | 275208XX_ | 350 | S | 31 | 46 | 46.23 | 8 | 1121_← | 320 | V |
| 28 | 38 | 38.23 | 7 | 283807XX_ | 350 | S | 31 | 46 | 46.23 | 8 | 710332_← | 320 | N |
| 28 | 38 | 38.23 | 10 | 710347_← | 320 | S | 32 | 40 | 40.15 | 5 | 223210_ | 340 | S |
| 28 | 40 | 40.26 | 7 | 284007XX_ | 350 | S | 32 | 42 | 42.20 | 7 | 324207XX_ | 350 | S |
| 28 | 40 | 40.23 | 7 | 222820_ | 330 | S | 32 | 42 | 42.20 | 8 | 710282_ | 320 | S |
| 28 | 40 | 40.20 | 8 | 284008XX_ | 320 | S | 32 | 42 | 42.20 | 8 | 324208XX_ | 320 | S |
| 28 | 40 | 40.23 | 8 | 710325_→ | 320 | S | 32 | 42 | 42.20 | 10 | 223215_← | 320 | S |
| 28 | 41 | 41.27 | 7 | 222830_ | 320 | N | 32 | 43 | 43.23 | 7 | 710370_ | 320 | S |
| 28 | 42 | 42.23 | 8 | 284208XX_ | 350 | S | 32 | 43 | 43.20 | 7 | 324307XX_ | 320 | S |
| 28 | 42 | 42.24 | 8 | 712008_← | 320 | H | 32 | 44 | 44.22 | 6 | 223220_→ | 320 | N |
| 28 | 44 | 44.23 | 6 | 284406XX_ | 320 | N | 32 | 45 | 45.24 | 7 | 223230_ | 320 | S |
| 28 | 44 | 44.22 | 6 | 222835_ | 320 | N | 32 | 45 | 45.23 | 7 | 324507XX_ | 320 | S |
| 28 | 45 | 45.20 | 8 | 284508XX_ | 320 | S | 32 | 46 | 46.23 | 6 | 223235_→ | 320 | N |
| 28 | 47 | 47.22 | 7 | 284707XX_ | 350 | S | 32 | 46 | 46.23 | 6 | 324606XX_ | 320 | S |

| Shaft | Bore | O.D. | Width | Part Number | Style | Matl | Shaft | Bore | O.D. | Width | Part Number | Style | Matl |
|-------|------|-------|-------|-------------|-------|------|-------|-------|-------|-------|-------------|-------|------|
| 32 | 47 | 47.22 | 6 | 710310_→ | 320 | N | 34 | 65 | 65.10 | 12 | 710151_ | 470 | S |
| 32 | 47 | 47.23 | 7 | 324707XX_ | 350 | S | 35 | 44 | 44.15 | 7 | 710383_ | 470 | S |
| 32 | 47 | 47.22 | 8 | 3476_→ | 320 | N | 35 | 45 | 45.15 | 7 | 354507XX_ | 350 | S |
| 32 | 47 | 47.22 | 8 | 3476S_→ | 320 | N | 35 | 47 | 47.40 | 7 | 1172_→ | 320 | H |
| 32 | 48 | 48.24 | 7 | 223240_→ | 400 | N | 35 | 47 | 47.40 | 7 | 1172S_→ | 320 | H |
| 32 | 48 | 48.24 | 7 | 710327_→ | 320 | S | 35 | 47 | 47.22 | 7 | 223510_ | 350 | S |
| 32 | 48 | 48.20 | 8 | 324808XX_ | 350 | S | 35 | 47 | 47.23 | 7 | 354707XX_ | 350 | S |
| 32 | 48 | 48.24 | 10 | 710317_← | 320 | S | 35 | 48 | 48.24 | 8 | 714436_ | 320 | S |
| 32 | 50 | 50.24 | 8 | 223250_→ | 320 | S | 35 | 48 | 48.20 | 8 | 354808XX_ | 320 | S |
| 32 | 50 | 50.14 | 8 | 710162_ | 480 | V | 35 | 48 | 48.24 | 10 | 1108_→ | 320 | V |
| 32 | 50 | 50.14 | 8 | 710164_ | 480 | V | 35 | 48 | 48.13 | 13 | 1215_← | # | N |
| 32 | 50 | 50.24 | 8 | 710415_→ | 320 | S | 35 | 48 | 48.13 | 13 | 1215N_← | # | N |
| 32 | 50 | 50.23 | 8 | 325008XX_ | 350 | S | 35 | 48 | 48.13 | 13 | 710051_ | 860 | S |
| 32 | 52 | 52.27 | 7 | 223255_ | 350 | S | 35 | 49 | 49.30 | 8 | 710178_ | # | S |
| 32 | 52 | 52.28 | 7 | 325207XX_ | 350 | S | 35 | 49.50 | 49.83 | 10 | 1940_→ | 320 | N |
| 32 | 52 | 52.27 | 11 | 1167_ | 320 | N | 35 | 50 | 50.29 | 7 | 1980_→ | 320 | H |
| 32 | 52 | 52.27 | 11 | 1167S_ | 320 | N | 35 | 50 | 50.29 | 7 | 3771_→ | 350 | H |
| 32 | 52 | 52.28 | 11 | 223252_← | 320 | N | 35 | 50 | 50.20 | 7 | 355007XX_ | 350 | S |
| 32 | 53 | 53.29 | 7 | 223253_→ | 320 | N | 35 | 50 | 50.29 | 8 | 223520_ | 350 | S |
| 32 | 54 | 54.15 | 9 | 2008_ | # | S | 35 | 50 | 50.29 | 8 | 710329_← | 320 | H |
| 32 | 54 | 54.15 | 9 | 2008S_ | # | S | 35 | 50 | 50.34 | 8 | 713771_→ | 350 | V |
| 32 | 54 | 54.23 | 10 | 325410XX_ | 320 | S | 35 | 50 | 50.24 | 8 | 355008XX_ | 350 | S |
| 32 | 56 | 56.28 | 10 | 325610XX_ | 350 | S | 35 | 50 | 50.24 | 11 | 710324_← | 320 | S |
| 32 | 58 | 58.20 | 8 | 325808XX_ | 320 | S | 35 | 50 | 50.29 | 11.50 | 710111_← | # | N |
| 32 | 60 | 60.20 | 8 | 326008XX_ | 320 | S | 35 | 52 | 52.15 | 7 | 223535_ | 330 | S |
| 32 | 60 | 60.20 | 10 | 326010XX_ | 480 | S | 35 | 52 | 52.20 | 7 | 355207XX_ | 350 | S |
| 32 | 62 | 62.20 | 8 | 326208XX_ | 320 | S | 35 | 52 | 52.27 | 8 | 3655_→ | 320 | N |
| 32 | 72 | 72.20 | 8 | 327208XX_ | 320 | S | 35 | 52 | 52.27 | 8 | 3655S_→ | 320 | N |
| 33 | 44 | 44.15 | 8 | 710070_ | 470 | S | 35 | 52 | 52.13 | 8 | 4052R_↔ | # | N |
| 33 | 47 | 47.22 | 7 | 223340_→ | 320 | S | 35 | 52 | 52.35 | 8 | 713655_ | 320 | N |
| 33 | 49 | 49.23 | 8 | 710236_→ | 320 | N | 35 | 52 | 52.13 | 8 | 355208XX_ | 330 | S |
| 33 | 50 | 50.24 | 7 | 710328_ | 350 | S | 35 | 52 | 52.25 | 10 | 1170_ | 320 | S |
| 33 | 50 | 50.25 | 12 | 335012XX_ | 320 | S | 35 | 52 | 52.25 | 10 | 1170S_ | 320 | S |
| 33 | 50 | 50.25 | 12 | 1168_← | 320 | S | 35 | 54 | 54.15 | 8 | 710217_ | # | S |
| 33 | 52 | 52.25 | 6 | 335206XX_ | 320 | S | 35 | 54 | 54.20 | 8 | 710331_← | 320 | V |
| 33 | 56 | 56.29 | 13 | 710132_ | 400 | N | 35 | 54 | 54.20 | 8 | 355408XX_ | 350 | S |
| 33 | 59 | 59.28 | 11 | 710124_ | 400 | N | 35 | 54 | 54.15 | 9 | 710199_↔ | # | N |
| 34 | 44 | 44.23 | 8 | 223400_ | 320 | N | 35 | 55 | 55.27 | 8 | 223540_ | 320 | N |
| 34 | 45 | 45.20 | 8 | 344508XX_ | 320 | S | 35 | 55 | 55.27 | 8 | 223542_ | 320 | N |
| 34 | 48 | 48.24 | 7.50 | 710416_ | 350 | S | 35 | 55 | 55.17 | 8 | 473823_ | 470 | S |
| 34 | 48 | 48.24 | 8 | 223420_→ | 320 | N | 35 | 55 | 55.10 | 8 | 355508XX_ | 470 | S |
| 34 | 52 | 52.28 | 8 | 345208XX_ | 320 | S | 35 | 55 | 55.23 | 11 | 355511XX_ | 320 | S |
| 34 | 53 | 53.28 | 8 | 223440_ | 320 | N | 35 | 56 | 56.29 | 8 | 2007_→ | # | S |
| 34 | 53 | 53.29 | 8 | 710418_ | 320 | N | 35 | 56 | 56.29 | 8 | 2007N_→ | # | S |
| 34 | 54 | 54.28 | 9 | 710110_↔ | 400 | N | 35 | 56 | 56.29 | 8 | 2007S_→ | # | S |
| 34 | 54 | 54.20 | 9 | 345409XX_ | 350 | S | 35 | 56 | 56.29 | 8 | 710314_← | 400 | N |
| 34 | 55 | 55.20 | 9 | 345509XX_ | 320 | S | 35 | 56 | 56.29 | 8 | 710315_→ | 400 | S |
| 34 | 62 | 62.28 | 10 | 710422_ | 350 | S | 35 | 56 | 56.20 | 8 | 355608XX_ | 350 | S |
| 34 | 62 | 62.18 | 10 | 346210XX_ | 350 | S | 35 | 56 | 56.20 | 9 | 710396_↔ | 400 | S |
| 34 | 63 | 63.27 | 9 | 710109_↔ | 400 | N | 35 | 56 | 56.29 | 10 | 223543_ | 320 | S |

| Shaft | Bore | O.D. | Width | Part Number | Style | Matl | Shaft | Bore | O.D. | Width | Part Number | Style | Matl |
|-------|------|-------|-------|-------------|-------|------|-------|-------|-------|-------|-------------|-------|------|
| 35 | 56 | 56.29 | 10 | 710218_ | # | V | 36 | 65 | 65.20 | 8 | 710057_ | 480 | S |
| 35 | 56 | 56.27 | 10 | 355610XX_ | 320 | S | 36 | 68 | 68.28 | 10 | 366810XX_ | 350 | S |
| 35 | 58 | 58.27 | 10 | 223550_ | 450 | S | 37 | 62 | 62.26 | 9.50 | 4989_ | # | S |
| 35 | 58 | 58.28 | 10 | 355810XX_ | 350 | S | 37 | 50 | 50.29 | 6 | 223750_→ | 320 | N |
| 35 | 60 | 60.27 | 8 | 710424_ | 350 | S | 37 | 50.50 | 50.70 | 6 | 710355_→ | 320 | N |
| 35 | 60 | 60.23 | 10 | 356010XX_ | 350 | S | 37 | 52 | 52.15 | 6 | 710149_ | # | S |
| 35 | 60 | 60.15 | 12 | 710201_ | 470 | S | 37 | 52 | 52.28 | 8 | 375208XX_ | 350 | S |
| 35 | 62 | 62.28 | 7 | 223552_ | 320 | S | 37 | 56 | 56.29 | 9 | 710259_↔ | 320 | V |
| 35 | 62 | 62.28 | 7 | 356207XX_ | 350 | S | 37 | 58 | 58.10 | 10 | 710353_→ | 660 | S |
| 35 | 62 | 62.28 | 9 | 4901_ | 400 | N | 37 | 62 | 62.23 | 10 | 710228_ | 400 | S |
| 35 | 62 | 62.28 | 9 | 223553_→ | 400 | N | 37 | 78 | 78.30 | 12 | 239134_ | # | S |
| 35 | 62 | 62.20 | 10 | 356210XX_ | 350 | S | 38 | 50 | 50.25 | 6 | 223802_→ | 320 | N |
| 35 | 63 | 63.17 | 10 | 223554_ | # | S | 38 | 50 | 50.25 | 7 | 385007XX_ | 350 | S |
| 35 | 64 | 64.13 | 8 | 223555_ | 470 | N | 38 | 50 | 50.28 | 8 | 223800_→ | 320 | N |
| 35 | 64 | 64.13 | 8 | 356408XX_ | 470 | N | 38 | 50 | 50.29 | 8 | 223801_ | 320 | S |
| 35 | 65 | 65.20 | 8 | 356508XX_ | 320 | S | 38 | 52 | 52.27 | 6 | 1196_ | 470 | S |
| 35 | 65 | 65.20 | 10 | 356510XX_ | 320 | S | 38 | 52 | 52.15 | 6 | 3357_ | 2830 | S |
| 35 | 65 | 65.28 | 12 | 710335_ | 320 | S | 38 | 52 | 52.15 | 6.30 | 710309_ | # | S |
| 35 | 67 | 67.27 | 12 | 1173_ | 320 | N | 38 | 52 | 52.20 | 7 | 385207XX_ | 320 | S |
| 35 | 68 | 68.28 | 9 | 1140_→ | 320 | N | 38 | 52 | 52.27 | 7 | 1174_ | 320 | S |
| 35 | 68 | 68.16 | 9 | 223580_→ | 400 | S | 38 | 52 | 52.27 | 7 | 1174S_ | 320 | S |
| 35 | 68 | 68.20 | 9 | 710336_← | 400 | N | 38 | 52 | 52.27 | 7 | 1966_→ | 350 | Y |
| 35 | 70 | 70.20 | 8 | 357008XX_ | 320 | S | 38 | 52 | 52.25 | 8.50 | 38X52085XX_ | 320 | S |
| 35 | 72 | 72.29 | 10 | 710360_ | 350 | S | 38 | 53 | 53.29 | 7 | 1120_← | 320 | V |
| 35 | 72 | 72.28 | 10 | 357210XX_ | 350 | S | 38 | 53 | 53.29 | 7 | 1120S_← | 320 | V |
| 35 | 76 | 76.28 | 9 | 1136_← | 300 | N | 38 | 53 | 53.20 | 8 | 385308XX_ | 320 | S |
| 35 | 76 | 76.28 | 9 | 1136S_← | 300 | N | 38 | 54 | 54.18 | 7 | 385407XX_ | 480 | S |
| 35 | 76 | 76.28 | 9 | 1147_→ | 320 | N | 38 | 54 | 54.28 | 8 | 239146_← | 480 | S |
| 35 | 80 | 80.20 | 8 | 358008XX_ | 320 | S | 38 | 54 | 54.18 | 10 | 385410XX_ | 320 | S |
| 36 | 44 | 44.22 | 5 | 710252_ | 320 | S | 38 | 55 | 55.23 | 7 | 385507XX_ | 350 | N |
| 36 | 46 | 46.15 | 9 | 710343_ | 330 | S | 38 | 55 | 55.27 | 9 | 223830_ | 350 | N |
| 36 | 47 | 47.20 | 7 | 364707XX_ | 350 | S | 38 | 55 | 55.27 | 9 | 223831_→ | 320 | N |
| 36 | 47 | 47.22 | 7 | 223601_ | 350 | S | 38 | 56 | 56.28 | 10 | 385610XX_ | 350 | S |
| 36 | 49 | 49.23 | 7 | 223602_→ | 320 | N | 38 | 57 | 47.00 | 7 | 223805_ | 250 | S |
| 36 | 50 | 50.08 | 7 | 365007XX_ | 470 | S | 38 | 58 | 58.11 | 8 | 385808XX_ | 470 | S |
| 36 | 50 | 50.14 | 7 | 223605_ | 470 | S | 38 | 58 | 58.17 | 8 | 223840_ | 470 | S |
| 36 | 50 | 50.29 | 8 | 710341_← | 320 | S | 38 | 58 | 58.27 | 10 | 710139_ | # | N |
| 36 | 52 | 52.20 | 7 | 365207XX_ | 350 | S | 38 | 58 | 58.27 | 11 | 1175_ | 320 | S |
| 36 | 52 | 52.20 | 10 | 223608_← | 320 | S | 38 | 59 | 59.28 | 9 | 1038_→ | 320 | N |
| 36 | 54 | 54.28 | 7.50 | 223610_ | 350 | S | 38 | 60 | 60.20 | 8 | 386008XX_ | 320 | S |
| 36 | 54 | 54.20 | 8 | 365408XX_ | 350 | S | 38 | 60 | 60.35 | 10 | 386010XX_ | 350 | S |
| 36 | 55 | 55.09 | 6.50 | 2003_ | 470 | S | 38 | 60 | 60.27 | 10 | 223843_ | 350 | S |
| 36 | 55 | 55.09 | 6.50 | 2003N_ | 470 | S | 38 | 62 | 62.28 | 7 | 386207XX_ | 350 | S |
| 36 | 56 | 56.25 | 10 | 365610XX_ | 350 | S | 38 | 63 | 63.17 | 10 | 2009_ | # | N |
| 36 | 58 | 58.25 | 8 | 365808XX_ | 470 | S | 38 | 63 | 63.17 | 10 | 2009S_ | # | N |
| 36 | 58 | 58.23 | 12 | 365812XX_ | 350 | S | 38 | 65 | 65.20 | 8 | 386508XX_ | 320 | S |
| 36 | 60 | 60.20 | 7 | 366007XX_ | 320 | S | 38 | 65 | 65.27 | 12 | 1176_→ | # | N |
| 36 | 60 | 60.20 | 8 | 1965_ | 480 | V | 38 | 65 | 65.27 | 12 | 1176S_→ | # | N |
| 36 | 62 | 62.28 | 7 | 366207XX_ | 320 | S | 38 | 68 | 68.20 | 8 | 386808XX_ | 320 | S |
| 36 | 64 | 64.16 | 11 | 710152_ | # | S | 38 | 68 | 68.20 | 10 | 386810XX_ | 320 | S |

| Shaft | Bore | O.D. | Width | Part Number | Style | Matl | Shaft | Bore | O.D. | Width | Part Number | Style | Matl |
|-------|-------|-------|-------|-------------|-------|------|-------|------|-------|-------|-------------|-------|------|
| 38 | 70 | 70.20 | 10 | 387010XX_ | 350 | S | 40 | 60 | 60.20 | 10 | 406010XX_ | 350 | S |
| 38 | 72 | 72.20 | 10 | 387210XX_ | 350 | S | 40 | 62 | 62.20 | 7 | 406207XX_ | 350 | S |
| 38 | 74 | 74.20 | 8 | 387408XX_ | 320 | S | 40 | 62 | 62.25 | 8 | 406208XX_ | 320 | S |
| 38 | 74 | 74.20 | 11 | 387411XX_ | 320 | N | 40 | 62 | 62.20 | 9 | 710131_ | # | S |
| 38 | 74 | 74.17 | 11 | 1177_ | 320 | N | 40 | 62 | 62.28 | 11 | 224045_ | 320 | S |
| 39 | 50.40 | 50.57 | 8.50 | 1126_ | 250 | S | 40 | 62 | 62.25 | 11.50 | 406212XX_ | 350 | S |
| 39 | 50.40 | 50.57 | 8.50 | 1126S_ | 250 | S | 40 | 63 | 63.27 | 8 | 224063_→ | 320 | N |
| 39 | 52 | 52.15 | 6.30 | 1205_ | 470 | S | 40 | 64 | 64.16 | 12 | 1216_ | 740 | N |
| 39 | 52 | 52.15 | 6.30 | 1205N_ | 470 | S | 40 | 64 | 64.16 | 12 | 1216N_ | 740 | N |
| 39 | 52 | 52.15 | 6.30 | 710338_ | 660 | S | 40 | 64 | 64.16 | 12 | 710326_ | 660 | S |
| 39 | 57 | 57.28 | 11 | 710123_ | 400 | N | 40 | 65 | 65.15 | 10 | 224100_ | 350 | S |
| 39 | 57 | 57.28 | 15.50 | 710122_ | 400 | N | 40 | 65 | 65.28 | 10 | 406510XX_ | 350 | S |
| 39 | 59 | 59.28 | 17 | 710118_ | 400 | S | 40 | 66 | 66.27 | 8 | 224063_→ | 400 | N |
| 40 | 58.70 | 58.98 | 9.50 | 1873_→ | 350 | S | 40 | 68 | 68.80 | 8 | 406808XX_ | 350 | S |
| 40 | 56 | 56.29 | 8 | 224025_→ | 320 | N | 40 | 68 | 68.25 | 12 | 406812XX_ | 350 | S |
| 40 | 2.56 | 65.00 | 9.50 | 474161_ | 470 | S | 40 | 70 | 70.20 | 8 | 407008XX_ | 320 | S |
| 40 | 50 | 50.20 | 8 | 405008XX_ | 350 | S | 40 | 72 | 72.24 | 7 | 350572_ | 350 | V |
| 40 | 52 | 52.25 | 6 | 1178_ | 320 | S | 40 | 72 | 72.35 | 7 | 407207XX_ | 350 | S |
| 40 | 52 | 52.25 | 6 | 1178S_ | 320 | S | 40 | 73 | 73.10 | 12.50 | 710284_ | # | N |
| 40 | 52 | 52.27 | 6 | 224015_→ | 320 | S | 40 | 74 | 74.12 | 10 | 474133_ | 470 | S |
| 40 | 52 | 52.27 | 6 | 710308_→ | 320 | S | 40 | 75 | 75.16 | 12 | 2011_→ | 400 | N |
| 40 | 52 | 52.15 | 7 | 1217_ | 350 | N | 40 | 75 | 75.16 | 12 | 2011S_→ | 400 | N |
| 40 | 52 | 52.15 | 7 | 1962_ | 780 | S | 40 | 75 | 75.20 | 12 | 712011_ | 320 | S |
| 40 | 52 | 52.15 | 7 | 224010_ | 350 | S | 40 | 75 | 75.29 | 12 | 712020_← | 320 | N |
| 40 | 52 | 52.27 | 7 | 224052_→ | 320 | H | 40 | 76 | 76.28 | 9 | 1036_→ | 400 | N |
| 40 | 52 | 52.25 | 7 | 405207XX_ | 350 | S | 40 | 76 | 76.28 | 9 | 1146_← | 320 | N |
| 40 | 52 | 52.20 | 9 | 4175_ | # | S | 40 | 76 | 76.28 | 9 | 1146S_← | 320 | N |
| 40 | 52 | 52.27 | 15 | 239201_ | 320 | S | 40 | 78 | 78.80 | 8 | 407808XX_ | 320 | S |
| 40 | 54 | 54.15 | 5.30 | 1213_ | 470 | S | 40 | 78 | 78.20 | 10 | 407810XX_ | 350 | S |
| 40 | 54 | 54.15 | 5.30 | 1213N_ | 470 | S | 40 | 80 | 80.28 | 10 | 408010XX_ | 350 | S |
| 40 | 54 | 54.15 | 5.30 | 1213S_ | 470 | S | 40 | 90 | 90.20 | 8 | 409008XX_ | 350 | S |
| 40 | 54 | 54.20 | 5.50 | 405406XX_ | 470 | S | 41 | 53 | 53.16 | 7 | 1950_ | 410 | S |
| 40 | 54 | 54.15 | 6 | 710311_ | 250 | S | 41 | 55 | 55.17 | 6 | 1180_ | 320 | S |
| 40 | 54 | 54.28 | 6 | 710444_← | 320 | S | 41 | 55 | 55.17 | 6 | 1180S_ | 320 | S |
| 40 | 55 | 55.20 | 6.50 | 405506XX_ | 350 | S | 41 | 55 | 55.29 | 7 | 415507XX_ | 320 | S |
| 40 | 55 | 55.17 | 8 | 3392_ | 470 | S | 41 | 56 | 56.25 | 7 | 415607XX_ | 350 | S |
| 40 | 55 | 55.27 | 8 | 224020_→ | 320 | S | 41 | 56 | 56.16 | 7 | 1181_ | 350 | S |
| 40 | 55 | 55.27 | 8 | 473677_ | 470 | S | 41 | 59 | 59.28 | 10 | 710114_→ | 980 | N |
| 40 | 55 | 55.28 | 8 | 405508XX_ | 350 | S | 41 | 62 | 62.23 | 9 | 710220_→ | 320 | N |
| 40 | 55.50 | 55.65 | 9 | 710300_ | # | S | 41 | 63 | 63.20 | 9 | 710291_← | 400 | N |
| 40 | 56 | 56.20 | 7 | 405607XX_ | 320 | S | 42 | 55 | 55.17 | 6 | 224200_ | 320 | S |
| 40 | 56 | 56.29 | 8 | 712551_ | 320 | S | 42 | 55 | 55.17 | 6 | 224200S_ | 320 | S |
| 40 | 56 | 56.29 | 9 | 224026_↔ | 350 | V | 42 | 55 | 55.17 | 6 | 224210_ | 350 | S |
| 40 | 57 | 57.20 | 10 | 405710XX_ | 320 | S | 42 | 55 | 55.20 | 7 | 425507XX_ | 320 | S |
| 40 | 58 | 58.20 | 8 | 405808XX_ | 350 | S | 42 | 55 | 55.27 | 8 | 3051_→ | 330 | H |
| 40 | 58 | 58.17 | 9 | 3459_↔ | 740 | N | 42 | 55 | 55.27 | 8 | 3051N_→ | 330 | H |
| 40 | 58 | 58.17 | 9 | 3459S_↔ | 740 | N | 42 | 55 | 55.33 | 8 | 224205_→ | 320 | N |
| 40 | 58 | 58.28 | 10 | 405810XX_ | 320 | S | 42 | 55 | 55.28 | 8 | 425508XX_ | 350 | S |
| 40 | 60 | 60.15 | 8 | 710147_ | # | S | 42 | 55 | 55.17 | 9 | 1214_ | 470 | S |
| 40 | 60 | 60.27 | 10 | 224040_ | 350 | S | 42 | 55 | 55.17 | 9 | 1214N_ | 470 | S |

| Shaft | Bore | O.D. | Width | Part Number | Style | Matl | Shaft | Bore | O.D. | Width | Part Number | Style | Matl |
|-------|-------|-------|-------|-------------|-------|------|-------|-------|-------|-------|-------------|-------|------|
| 42 | 56 | 56.34 | 7 | 3774S_→ | 350 | H | 44 | 60 | 60.27 | 7 | 224460_→ | 350 | X |
| 42 | 56 | 56.21 | 7 | 224220_ | 490 | S | 44 | 60 | 60.20 | 10 | 446010XX_ | 350 | S |
| 42 | 56 | 56.29 | 7 | 710097_ | # | S | 44 | 62 | 62.26 | 8 | 446208XX_↔ | 320 | S |
| 42 | 56 | 56.34 | 7 | 3774_→ | 350 | H | 44 | 62 | 62.28 | 8 | 224462_ | 320 | S |
| 42 | 56 | 56.13 | 7 | 425607XX_ | 320 | S | 44 | 62 | 62.28 | 10 | 224464_← | 320 | N |
| 42 | 56.20 | 56.49 | 6 | 494117_ | 490 | S | 44 | 65 | 65.28 | 10 | 446510XX_ | 350 | S |
| 42 | 58 | 58.10 | 7 | 425807XX_ | 480 | S | 44 | 65 | 65.28 | 11 | 224465_→ | 320 | S |
| 42 | 58 | 58.17 | 9 | 224235_ | 480 | S | 44 | 68 | 68.28 | 8 | 350609_← | 350 | N |
| 42 | 58 | 58.27 | 9.50 | 224215_← | 320 | N | 44 | 70 | 70.20 | 8 | 447008XX_ | 320 | S |
| 42 | 59 | 59.16 | 7.70 | 710442_→ | 480 | N | 44 | 72 | 72.11 | 10 | 447210XX_ | 350 | S |
| 42 | 60 | 60.27 | 7 | 1953_ | 320 | N | 44 | 80 | 80.29 | 8.70 | 710115_↔ | 980 | S |
| 42 | 60 | 60.27 | 7 | 1953S_ | 320 | N | 45 | 58 | 58.28 | 7 | 455807XX_ | 350 | S |
| 42 | 60 | 60.27 | 7 | 2025_ | 320 | V | 45 | 59 | 59.28 | 8 | 710193_ | 320 | S |
| 42 | 60 | 60.22 | 7 | 426007XX_ | 320 | S | 45 | 60 | 60.20 | 7 | 456007XX_ | 350 | S |
| 42 | 62 | 62.28 | 7 | 224252_ | 320 | S | 45 | 60 | 60.27 | 8 | 224520_ | 350 | S |
| 42 | 62 | 62.28 | 7 | 710408_ | 320 | N | 45 | 60 | 60.20 | 8 | 456008XX_ | 350 | S |
| 42 | 62 | 62.27 | 8 | 426208XX_ | 350 | S | 45 | 60 | 60.25 | 10 | 456010XX_ | 350 | S |
| 42 | 62 | 62.28 | 10 | 224250_→ | 350 | S | 45 | 60 | 60.25 | 10.80 | 2440_ | 690 | N |
| 42 | 62 | 62.10 | 12 | 710403_ | # | S | 45 | 61 | 61.29 | 8 | 710260_← | 320 | S |
| 42 | 63 | 63.27 | 9 | 710298_→ | 400 | N | 45 | 62 | 62.15 | 6 | 494122_ | 490 | S |
| 42 | 64.10 | 64.39 | 6 | 224254_ | 340 | S | 45 | 62 | 62.28 | 8 | 1012N_ | 320 | S |
| 42 | 65 | 65.15 | 10 | 224255_ | 470 | N | 45 | 62 | 62.28 | 8 | 1012S_ | 350 | S |
| 42 | 65 | 65.15 | 10 | 426510XX_ | 470 | N | 45 | 62 | 62.15 | 8 | 710078_ | 470 | V |
| 42 | 67 | 67.20 | 10 | 710286_ | 320 | N | 45 | 62 | 62.30 | 8 | 456208XX_ | 350 | S |
| 42 | 68 | 68.20 | 8 | 426808XX_ | 320 | S | 45 | 64 | 64.29 | 9 | 1938_ | # | S |
| 42 | 68 | 62.20 | 10 | 426810XX_ | 320 | S | 45 | 64 | 64.29 | 9 | 1939_ | # | S |
| 42 | 70 | 70.20 | 10 | 427010XX_ | 320 | S | 45 | 64 | 64.29 | 9 | 1951_ | 870 | S |
| 42 | 72 | 72.20 | 8 | 427208XX_ | 320 | S | 45 | 65 | 65.15 | 5 | 1992_ | 470 | S |
| 42 | 72 | 72.27 | 10 | 224270_ | 350 | S | 45 | 65 | 65.28 | 8 | 456508XX_ | 350 | S |
| 42 | 72 | 72.27 | 10 | 427210XX_ | 320 | S | 45 | 67 | 67.16 | 8 | 710289_→ | 320 | S |
| 42 | 76 | 76.15 | 12 | 710245_→ | # | N | 45 | 68 | 68.28 | 7 | 456807XX_ | 320 | S |
| 42 | 80 | 80.20 | 8 | 428008XX_ | 320 | S | 45 | 68 | 68.28 | 8.50 | 224560_ | 320 | S |
| 42 | 80 | 80.20 | 10 | 428010XX_ | 350 | S | 45 | 68 | 68.28 | 12 | 320564_→ | 320 | V |
| 42 | 90 | 90.27 | 9.50 | 710133_ | # | N | 45 | 68 | 68.20 | 12 | 710345_ | 320 | S |
| 42 | 90 | 90.27 | 11.90 | 710246_ | # | N | 45 | 70 | 70.18 | 10 | 457010XX_ | 320 | S |
| 43 | 54 | 54.15 | 6.50 | 224400_ | 250 | S | 45 | 72 | 72.29 | 7 | 224570_ | 350 | S |
| 43 | 54 | 54.15 | 7.50 | 334111_ | 330 | S | 45 | 72 | 72.28 | 7 | 457207XX_ | 350 | S |
| 43 | 55 | 55.27 | 6 | 2012_→ | 320 | Y | 45 | 72 | 72.20 | 10 | 457210XX_ | 350 | S |
| 43 | 55 | 55.27 | 6 | 2012S_→ | 320 | Y | 45 | 72 | 72.25 | 10 | 457295XX_ | 320 | S |
| 43 | 55 | 55.27 | 6 | 2012V_→ | 320 | V | 45 | 72 | 72.28 | 12 | 457212XX_ | 350 | S |
| 43 | 55 | 55.27 | 6 | 710264_→ | 320 | Y | 45 | 72.20 | 72.49 | 7.50 | 1943_ | 440 | S |
| 43 | 55 | 55.27 | 8 | 1183_ | 340 | S | 45 | 75 | 75.20 | 7 | 457507XX_ | 320 | S |
| 43 | 55 | 55.20 | 8 | 435508XX_ | 320 | S | 45 | 75 | 75.16 | 12 | 1979_→ | 470 | N |
| 43 | 58.47 | 58.62 | 7.50 | 710159_ | # | S | 45 | 78 | 78.16 | 11 | 710248_→ | 660 | N |
| 43 | 60 | 60.27 | 9 | 320583_→ | 320 | S | 45 | 80 | 80.28 | 10 | 458010XX_ | 350 | S |
| 43 | 62 | 62.18 | 10 | 224320_ | 470 | S | 45 | 85 | 85.20 | 10 | 458510XX_ | 350 | S |
| 43 | 65 | 65.20 | 8 | 436508XX_ | 320 | S | 45 | 85 | 85.25 | 13 | 458513XX_ | 450 | S |
| 43 | 70 | 70.16 | 9 | 710142_ | # | S | 45 | 98 | 98.17 | 10.50 | 710364_↔ | # | N |
| 43 | 92 | 92.28 | 12.50 | 710208_ | # | S | 46 | 2.73 | 69.40 | 11 | 710126_ | # | S |
| 44 | 60 | 60.20 | 7 | 446007XX_ | 320 | S | 46 | 58 | 58.27 | 7 | 224650_→ | 320 | N |

| Shaft | Bore | O.D. | Width | Part Number | Style | Matl | Shaft | Bore | O.D. | Width | Part Number | Style | Matl |
|-------|-------|-------|-------|------------------|-------|------|-------|-------|--------|-------|------------------|-------|------|
| 46 | 60 | 60.27 | 7 | 224660_→ | 320 | H | 49 | 64 | 64.29 | 6 | 1936_ | # | S |
| 46 | 65 | 65.20 | 7 | 466507XX_ | 320 | S | 49 | 70 | 70.28 | 11 | 710305_ | 320 | S |
| 46 | 68.50 | 68.63 | 7.50 | 710161_ | 2810 | S | 49 | 70 | 70.28 | 11 | 710305S_ | 320 | S |
| 46 | 70 | 70.20 | 8 | 467008XX_ | 320 | S | 49 | 72.20 | 72.49 | 6 | 710148_ | 970 | S |
| 46 | 70 | 70.10 | 8 | 710238_→ | 320 | S | 49 | 79 | 79.10 | - | 224979_ | 470 | N |
| 47 | 62 | 62.20 | 8 | 476208XX_ | 320 | S | 49 | 100 | 100.20 | 8 | 710374_ | # | S |
| 47 | 64 | 64.29 | 6 | 1937_ | # | S | 50 | 2.57 | 67.00 | 5.50 | 710226_ | 320 | S |
| 47 | 65 | 65.20 | 8 | 476508XX_ | 320 | S | 50 | 2.62 | 66.50 | 13 | 474134_ | 470 | S |
| 47 | 66 | 66.10 | 6 | 710215_ | 660 | S | 50 | 60 | 60.27 | 6 | 710192_ | 320 | S |
| 47 | 68 | 68.27 | 10 | 476810XX_ | 320 | S | 50 | 62 | 62.18 | 7 | 225005_ | 320 | S |
| 47 | 68 | 68.27 | 10 | 1187S_ | 320 | S | 50 | 62 | 62.28 | 7 | 506207XX_ | 350 | S |
| 47 | 70 | 70.20 | 10 | 477010XX_ | 320 | S | 50 | 62 | 62.13 | 9 | 225008_ | 470 | S |
| 47 | 72 | 72.16 | 8 | 224772_ | 480 | S | 50 | 64.10 | 64.39 | 6.50 | 710098_ | 710 | S |
| 47 | 72.20 | 72.49 | 6 | 710337_ | 340 | S | 50 | 65 | 65.28 | 8 | 710354_→ | 320 | N |
| 47 | 80 | 80.16 | 12.70 | 710150_ | # | S | 50 | 65 | 65.28 | 8 | 506508XX_ | 320 | S |
| 47 | 84 | 84.28 | 9.50 | 710143_ | # | S | 50 | 65 | 65.15 | 9 | 1209_ | 350 | S |
| 48 | 60 | 60.15 | 9 | 710356_→ | 470 | S | 50 | 65 | 65.15 | 9 | 1209S_ | 350 | S |
| 48 | 62 | 62.28 | 6 | 1188_ | 340 | S | 50 | 65 | 65.15 | 9 | 3743_ | 660 | S |
| 48 | 62 | 62.28 | 6 | 1188S_ | 340 | S | 50 | 65 | 65.15 | 9 | 225010_ | 470 | S |
| 48 | 62 | 62.28 | 6 | 710322_ | 340 | S | 50 | 67 | 67.20 | 9 | 710357_ | 470 | S |
| 48 | 62 | 62.28 | 7 | 224810_ | 320 | N | 50 | 67 | 67.29 | 11 | 1974_ | 970 | S |
| 48 | 62 | 62.28 | 8 | 224820_ | 320 | S | 50 | 68 | 68.10 | 6.50 | 710194_ | 320 | S |
| 48 | 62 | 62.10 | 8 | 486208XX_ | 350 | S | 50 | 68 | 68.28 | 8 | 1948_ | 350 | S |
| 48 | 62 | 62.28 | 9 | 1956_ | # | S | 50 | 68 | 68.28 | 8 | 506808XX_ | 350 | S |
| 48 | 62 | 62.28 | 9 | 1956S_ | # | S | 50 | 68 | 68.28 | 9 | 225020_→ | 320 | V |
| 48 | 62 | 62.10 | 9 | 710320_ | 480 | S | 50 | 68 | 68.28 | 9 | 710420_→ | 320 | S |
| 48 | 63 | 63.09 | 9 | 486309XX_ | 470 | S | 50 | 70 | 70.10 | 7 | 413818_ | 410 | S |
| 48 | 64 | 64.20 | 10 | 710167_ | # | S | 50 | 70 | 70.20 | 8 | 507008XX_ | 320 | S |
| 48 | 65 | 65.15 | 8.10 | 1973_ | 250 | S | 50 | 70 | 70.13 | 9 | 1960_ | 470 | S |
| 48 | 65 | 65.28 | 9 | 224865_ | 320 | S | 50 | 70 | 70.20 | 9 | 507009XX_ | 320 | S |
| 48 | 65 | 65.30 | 10 | 486510XX_ | 320 | S | 50 | 70 | 70.20 | 10 | 710173_ | # | N |
| 48 | 65 | 65.15 | 24.50 | 4528N_ | 660 | N | 50 | 70 | 70.20 | 14 | 710135_ | # | S |
| 48 | 68 | 68.27 | 10 | 486810XX_ | 320 | N | 50 | 72 | 72.29 | 8 | 225030_ | 350 | S |
| 48 | 68 | 68.28 | 11 | 224835_→ | 320 | N | 50 | 72 | 72.28 | 8 | 507208XX_ | 350 | S |
| 48 | 68 | 68.28 | 11 | 224840_→ | 320 | S | 50 | 72 | 72.29 | 9 | 225035_ | 320 | S |
| 48 | 70 | 70.20 | 8 | 487008XX_ | 350 | S | 50 | 72 | 72.20 | 10 | 710398_ | # | S |
| 48 | 70 | 70.28 | 9 | 1994_ | 320 | S | 50 | 72 | 72.29 | 12 | 225040_→ | 320 | S |
| 48 | 70 | 70.20 | 9 | 710255_ | # | S | 50 | 73 | 73.15 | 12 | 450474_ | 450 | S |
| 48 | 70 | 70.28 | 9 | 712010_→ | 320 | H | 50 | 75 | 75.20 | 7 | 507507XX_ | 320 | S |
| 48 | 70 | 70.28 | 9 | 487009XX_ | 350 | S | 50 | 75 | 75.28 | 12 | 507512XX_ | 320 | S |
| 48 | 70 | 70.28 | 12 | 710313_→ | 320 | S | 50 | 80 | 80.29 | 8 | 225050_ | 350 | S |
| 48 | 72 | 72.31 | 7 | 487207XX_ | 320 | S | 50 | 80 | 80.28 | 8 | 508008XX_ | 350 | S |
| 48 | 72 | 72.29 | 8.50 | 224850_ | 350 | S | 50 | 80 | 80.30 | 16.50 | 710112_↔ | # | N |
| 48 | 72 | 72.29 | 8.50 | 224872_ | 320 | S | 50 | 82 | 82.18 | 8 | 225082_ | # | S |
| 48 | 73 | 73.10 | 7 | 224870_ | 470 | S | 50 | 85 | 85.20 | 8 | 508508XX_ | 320 | S |
| 48 | 74 | 74.27 | 10 | 224874_ | 320 | S | 50 | 86 | 86.30 | 13 | 710117_ | 400 | N |
| 48 | 75 | 75.20 | 10 | 487510XX_ | 320 | S | 50 | 90 | 90.20 | 8 | 509008XX_ | 320 | S |
| 48 | 80 | 80.20 | 8 | 488008XX_ | 320 | S | 50 | 90 | 90.28 | 10 | 509010XX_ | 350 | S |
| 48 | 90 | 90.20 | 10 | 489010XX_ | 350 | S | 51 | 77.50 | 77.65 | 14 | 1941_ | 470 | S |
| 49 | 62 | 62.15 | 8.50 | 4904_ | 660 | S | 51 | 62 | 62.13 | 7 | 710407_ | 330 | S |

METRIC - SIZE

| Shaft | Bore | O.D. | Width | Part Number | Style | Matl | Shaft | Bore | O.D. | Width | Part Number | Style | Matl |
|-------|-------|-------|-------|-------------|-------|------|-------|-------|--------|-------|-------------|-------|------|
| 51 | 63 | 63.17 | 6 | 494123_ | 490 | S | 55 | 68 | 68.28 | 8 | 225500_ | 320 | S |
| 51 | 63 | 63.17 | 6 | 710323_ | 490 | S | 55 | 70 | 70.27 | 8 | 557008XX_ | 350 | S |
| 51 | 65 | 65.15 | 7 | 225110_ | 470 | S | 55 | 70 | 70.13 | 9 | 3723_ | 660 | S |
| 51 | 65 | 65.10 | 7 | 516507XX_ | 470 | S | 55 | 70 | 70.13 | 9 | 225505_ | 320 | S |
| 52 | 62 | 62.28 | 5.50 | 710253_ | # | S | 55 | 72 | 72.25 | 8 | 557208XX_ | 350 | S |
| 52 | 63 | 63.23 | 8 | 1975_ | 320 | S | 55 | 72 | 72.24 | 8 | 225530_ | 350 | S |
| 52 | 63 | 63.23 | 8 | 1975S_ | 320 | S | 55 | 72 | 72.29 | 10 | 225535_ | 320 | S |
| 52 | 65 | 65.30 | 9 | 526509XX_ | 350 | S | 55 | 74 | 74.17 | 6 | 1207_ | 490 | S |
| 52 | 65 | 65.15 | 9 | 1955_ | 350 | S | 55 | 74 | 74.17 | 6 | 1207N_ | 490 | S |
| 52 | 65 | 65.28 | 9 | 225208_ | 320 | S | 55 | 75 | 75.20 | 7 | 55X1007X_ | 320 | S |
| 52 | 66 | 66.12 | 7.50 | 4898_ | 660 | S | 55 | 75 | 75.20 | 8 | 557508XX_ | 350 | S |
| 52 | 66 | 66.27 | 9 | 225210_ | 350 | N | 55 | 75 | 75.35 | 10 | 557510XX_ | 350 | S |
| 52 | 67 | 67.29 | 7 | 1883_ | 320 | S | 55 | 75 | 75.24 | 10 | 225545_ | 350 | S |
| 52 | 68 | 68.15 | 6.50 | 225220_ | 350 | S | 55 | 78 | 78.28 | 10 | 557810XX_ | 350 | S |
| 52 | 68 | 68.15 | 6.50 | 710292_ | # | S | 55 | 80 | 80.28 | 8 | 558008XX_ | 350 | S |
| 52 | 68 | 68.15 | 7.50 | 1884_ | 320 | S | 55 | 82 | 82.17 | 10 | 1958_ | 350 | S |
| 52 | 68 | 68.15 | 7.50 | 710064_ | # | S | 55 | 82 | 82.30 | 12 | 558212XX_ | 350 | S |
| 52 | 68 | 68.28 | 7.60 | 4990_ | 2810 | S | 55 | 85 | 85.31 | 10 | 558510XX_ | 350 | S |
| 52 | 68 | 68.28 | 8 | 526808XX_ | 350 | S | 55 | 88 | 88.20 | 8 | 558808XX_↔ | 320 | S |
| 52 | 68 | 68.15 | 8 | 710190_ | 480 | V | 55 | 90 | 90.28 | 13 | 559013XX_ | 350 | S |
| 52 | 68 | 68.20 | 13 | 710312_ | 320 | S | 55 | 100 | 100.30 | 12.70 | 55X10013X_ | 450 | S |
| 52 | 69 | 69.28 | 10 | 526910XX_ | 350 | S | 56 | 66 | 66.20 | 17 | 710382_ | # | S |
| 52 | 70 | 70.20 | 8 | 527008XX_ | 320 | S | 56 | 68 | 68.15 | 4.50 | 1932_ | 490 | S |
| 52 | 70 | 70.16 | 8 | 225225_ | 470 | S | 56 | 68 | 68.15 | 4.50 | 1932S_ | 490 | S |
| 52 | 70 | 70.28 | 8.50 | 710187_→ | 320 | N | 56 | 68 | 68.12 | 10 | 566810XX_ | 480 | N |
| 52 | 72 | 72.29 | 7.50 | 225540_ | 320 | S | 56 | 70 | 70.20 | 8 | 567008XX_ | 350 | S |
| 52 | 72 | 72.29 | 7.70 | 225230_ | 350 | S | 56 | 72 | 72.20 | 7 | 567207XX_ | 320 | S |
| 52 | 72 | 72.20 | 8 | 527208XX_ | 350 | S | 56 | 72 | 72.14 | 9 | 225650_ | 320 | S |
| 52 | 72 | 72.29 | 8 | 710242_→ | 320 | N | 56 | 72 | 72.16 | 10.90 | 710069_ | # | S |
| 52 | 75 | 75.11 | 7.50 | 225275_ | 660 | S | 56 | 72 | 72.40 | 11.50 | 56X72115XX_ | 350 | S |
| 52 | 75 | 75.28 | 12 | 527512XX_ | 350 | S | 56 | 72 | 72.27 | 12.50 | 225227_ | # | S |
| 52 | 78 | 78.28 | 9 | 225278_ | 350 | N | 56 | 73 | 73.15 | 7.50 | 1993_ | 470 | S |
| 52 | 78.40 | 78.49 | 9.80 | 710107_ | # | S | 56 | 73 | 73.15 | 7.50 | 225673_ | # | S |
| 52 | 80 | 80.28 | 10 | 528010XX_↔ | 320 | S | 56 | 74 | 74.17 | 8.50 | 710176_ | 870 | S |
| 52 | 82 | 82.20 | 8 | 528208XX_ | 320 | S | 56 | 74.20 | 74.37 | 6.50 | 710125_ | # | S |
| 52 | 85 | 85.20 | 8 | 528507XX_ | 320 | S | 56 | 75 | 75.13 | 6.60 | 4899_ | 660 | S |
| 53 | 2.69 | 68.20 | 7 | 710175_ | 320 | S | 56 | 75 | 75.33 | 7 | 225775_ | # | S |
| 54 | 65 | 65.20 | 8 | 546508XX_ | 320 | S | 56 | 75 | 75.20 | 7 | 567507XX_ | 320 | S |
| 54 | 65 | 65.15 | 13 | 2002_ | 470 | S | 56 | 76 | 76.15 | 4.90 | 710108_ | 660 | S |
| 54 | 66 | 66.17 | 7.50 | 225410_ | # | S | 56 | 78 | 78.28 | 7.50 | 225678_ | # | S |
| 54 | 69 | 69.23 | 7.50 | 710239_ | 400 | N | 56 | 80 | 80.28 | 8 | 568008XX_ | 320 | S |
| 54 | 72 | 72.25 | 10 | 225420_ | 320 | S | 56 | 82 | 82.20 | 8 | 568208XX_ | 320 | S |
| 54 | 72 | 72.25 | 10 | 547210XX_ | 320 | S | 56 | 85 | 85.28 | 8 | 568508XX_ | 350 | S |
| 54 | 73 | 73.20 | 8 | 547308XX_ | 320 | S | 56 | 88 | 88.20 | 8 | 568808XX_ | 320 | S |
| 54 | 75.50 | 75.78 | 18 | 710073_ | # | S | 56 | 90 | 90.20 | 8 | 569008XX_ | 320 | S |
| 54 | 82 | 82.30 | 8 | 225450_ | 320 | S | 57 | 67 | 67.29 | 6 | 1984_ | 250 | S |
| 54 | 82 | 82.35 | 10 | 548210XX_ | 320 | S | 57 | 72 | 72.14 | 8.40 | 1964_ | 470 | S |
| 54 | 85 | 85.28 | 10 | 548510XX_ | 320 | S | 57 | 77 | 77.20 | 8 | 710129_ | # | S |
| 55 | 68 | 68.15 | 6.50 | 710127_ | # | S | 57 | 79 | 79.25 | 13.70 | 710072_ | # | S |
| 55 | 68 | 68.28 | 8 | 556808XX_ | 320 | S | 57 | 79 | 79.25 | 13.70 | 710074_ | # | S |

| Shaft | Bore | O.D. | Width | Part Number | Style | Matl | Shaft | Bore | O.D. | Width | Part Number | Style | Matl |
|-------|------|--------|-------|---------------------|-------|------|-------|------|--------|-------|--------------------|-------|------|
| 57 | 81 | 81.18 | 8 | 1928_ | 470 | S | 63 | 85 | 85.28 | 10 | 638510XX_ | 320 | S |
| 57 | 85 | 85.20 | 13 | 578513XX_ | 320 | S | 63 | 90 | 90.17 | 7 | 1935_ | 470 | S |
| 58 | 72 | 72.28 | 8 | 587208XX_ | 350 | S | 63 | 90 | 90.14 | 10 | 639010XX_ | 320 | S |
| 58 | 74 | 74.27 | 10 | 710271_← | 320 | S | 64 | 77 | 77.20 | 8 | 710130_ | # | S |
| 58 | 74 | 74.12 | 13 | 225874_ | 1010 | N | 64 | 80 | 80.21 | 8 | 226480_→ | 330 | H |
| 58 | 75 | 75.29 | 9 | 225875_ | 320 | S | 64 | 80 | 80.28 | 8 | 648008XX_ | 320 | S |
| 58 | 75 | 75.16 | 9 | 710400_ | 470 | S | 65 | 80 | 80.28 | 8 | 658008XX_ | 320 | S |
| 58 | 75 | 75.28 | 11 | 587511XX_ | 350 | S | 65 | 81 | 81.28 | 7 | 226510_→ | 320 | Y |
| 58 | 76 | 76.23 | 7.80 | 710230_ | # | S | 65 | 82 | 82.17 | 7 | 710094_ | 660 | S |
| 58 | 77 | 77.27 | 8.50 | 225877_ | 350 | N | 65 | 84 | 84.28 | 9 | 712005_→ | 320 | H |
| 58 | 78 | 78.28 | 10 | 710144_← | # | S | 65 | 85 | 85.20 | 8 | 658508XX_ | 350 | S |
| 58 | 80 | 80.28 | 8 | 588008XX_ | 350 | S | 65 | 85 | 85.27 | 10 | 658510XX_ | 350 | S |
| 58 | 80 | 80.29 | 8 | 225880_ | 350 | S | 65 | 85 | 85.22 | 10 | 226520_ | 350 | S |
| 58 | 85 | 85.25 | 13 | 588513XX_ | 320 | S | 65 | 85 | 85.17 | 10 | 710373_ | 470 | S |
| 58 | 88 | 88.20 | 8 | 588808XX_ | 320 | S | 65 | 88 | 88.20 | 8 | 658808XX_ | 350 | S |
| 58 | 90 | 90.28 | 10 | 589010XX_ | 350 | S | 65 | 88 | 88.20 | 10 | 658810XX_ | 320 | S |
| 59 | 75 | 75.11 | 10 | 710168_ | 470 | S | 65 | 88 | 88.20 | 12 | 710367_→ | 400 | S |
| 59 | 100 | 100.28 | 10 | 710121_ | # | N | 65 | 90 | 90.20 | 7 | 659007XX_ | 320 | S |
| 60 | 72 | 72.16 | 7.50 | 710379_ | 470 | S | 65 | 90 | 90.28 | 10 | 659010XX_ | 350 | S |
| 60 | 72 | 72.28 | 8 | 607208XX_ | 350 | S | 65 | 90 | 90.27 | 10 | 226530_ | 350 | S |
| 60 | 75 | 75.16 | 5.80 | 710093_ | # | S | 65 | 90 | 90.20 | 13 | 659013XX_ | 350 | S |
| 60 | 75 | 75.28 | 8 | 607508XX_ | 350 | S | 65 | 100 | 100.30 | 7 | 65X10007XX_ | 320 | S |
| 60 | 75 | 75.29 | 9 | 226015_← | 320 | N | 65 | 100 | 100.28 | 10 | 65X10010XX_ | 350 | S |
| 60 | 78 | 78.28 | 9 | 226018_ | 350 | N | 66 | 80 | 80.11 | 9 | 226610_ | 410 | N |
| 60 | 80 | 80.20 | 8 | 608008XX_ | 350 | S | 66 | 85 | 85.17 | 8 | 710092_ | 410 | S |
| 60 | 80 | 80.29 | 8 | 1039S_ | 350 | S | 68 | 82 | 82.20 | 7 | 688207XX_ | 350 | S |
| 60 | 82 | 82.20 | 7 | 608207XX_ | 320 | S | 68 | 84 | 84.28 | 8.50 | 710234_← | 320 | N |
| 60 | 82 | 82.30 | 12 | 608212XX_ | 350 | S | 68 | 85 | 85.20 | 8 | 688508XX_ | 350 | S |
| 60 | 82 | 82.27 | 12 | 2001_← | 320 | S | 68 | 86 | 86.28 | 8 | 710334_← | 320 | N |
| 60 | 82 | 82.20 | 12 | 710390_→ | 320 | N | 68 | 88 | 88.29 | 8 | 710446_→ | 350 | S |
| 60 | 82 | 82.27 | 12 | 712006_← | 320 | H | 68 | 90 | 90.20 | 7 | 689007XX_ | 320 | S |
| 60 | 85 | 85.28 | 8 | 608508XX_ | 350 | S | 68 | 90 | 90.32 | 10 | 689010XX_ | 350 | S |
| 60 | 85 | 85.20 | 12 | 608512XX_ | 320 | S | 68 | 90 | 90.17 | 12 | 710440_ | 470 | S |
| 60 | 86 | 86.18 | 7 | 710182_ | 660 | S | 68 | 95 | 95.20 | 10 | 689510XX_ | 350 | S |
| 60 | 90 | 90.25 | 8 | 609008XX_ | 320 | S | 68 | 100 | 100.20 | 10 | 68X10010XX_ | 350 | S |
| 60 | 90 | 90.27 | 10 | 609010XX_ | 350 | S | 68 | 100 | 100.28 | 13 | 68X10013XX_ | 350 | S |
| 60 | 90 | 90.17 | 14 | 1985_ | 480 | S | 70 | 85 | 85.28 | 8 | 708508XX_ | 350 | S |
| 60 | 90 | 90.17 | 14 | 1985S_ | 480 | S | 70 | 87 | 87.27 | 8.50 | 1021_← | 320 | V |
| 60 | 95 | 95.20 | 8 | 609508XX_ | 320 | S | 70 | 87 | 87.27 | 8.50 | 1021V_← | 320 | V |
| 60 | 100 | 100.20 | 10 | 60X10010XX_↔ | 320 | N | 70 | 88 | 88.25 | 8 | 708808XX_ | 480 | S |
| 60 | 103 | 103.18 | 12 | 710276_ | 400 | N | 70 | 88 | 88.29 | 12 | 227020_← | 320 | H |
| 60 | 110 | 110.20 | 8 | 60X11008XX_ | 320 | S | 70 | 88 | 88.25 | 12 | 708812XX_ | 320 | S |
| 61 | 76 | 76.28 | 7 | 226150_ | # | S | 70 | 90 | 90.20 | 7 | 709007XX_ | 320 | S |
| 62 | 78 | 78.16 | 9.50 | 710213_ | 2810 | S | 70 | 90 | 90.32 | 10 | 227040_← | 350 | H |
| 62 | 80 | 80.20 | 9 | 628009XX_ | 320 | S | 70 | 90 | 90.32 | 10 | 709010XX_ | 350 | S |
| 62 | 80 | 80.28 | 10 | 628010XX_ | 350 | S | 70 | 92 | 92.28 | 8.50 | 227045_← | 470 | H |
| 62 | 85 | 85.17 | 8 | 226285_ | 410 | S | 70 | 92 | 92.20 | 12 | 709212XX_ | 320 | S |
| 62 | 85 | 85.13 | 8 | 628508XX_ | 410 | S | 70 | 95 | 95.28 | 10 | 709510XX_ | 350 | S |
| 62 | 90 | 90.28 | 10 | 629010XX_ | 350 | S | 70 | 95 | 95.28 | 13 | 709513XX_ | 350 | S |
| 62 | 100 | 100.30 | 7 | 62X10007XX_ | 320 | S | 70 | 100 | 100.20 | 10 | 70X10010XX_ | 320 | S |

| Shaft | Bore | O.D. | Width | Part Number | Style | Matl | Shaft | Bore | O.D. | Width | Part Number | Style | Matl |
|-------|------|--------|-------|---------------------|-------|------|-------|------|--------|-------|---------------------|-------|------|
| 70 | 100 | 100.28 | 13 | 70X10013XX_ | 350 | S | 80 | 120 | 120.20 | 10 | 80X12010XX_ | 320 | S |
| 70 | 105 | 105.30 | 7 | 70X10507XX_ | 320 | S | 80 | 120 | 120.28 | 13 | 80X12013XX_ | 320 | S |
| 70 | 105 | 105.20 | 13 | 70X10513XX_ | 350 | S | 82 | 105 | 105.25 | 13 | 82X10513XX_ | 250 | S |
| 70 | 110 | 110.20 | 10 | 70X11010XX_ | 350 | S | 82 | 105 | 105.32 | 13 | 228480_← | 320 | H |
| 70 | 112 | 112.17 | 14 | 710339_ | 250 | S | 83 | 100 | 100.28 | 9 | 228250_← | 320 | H |
| 72 | 88 | 88.25 | 7 | 1986_ | 480 | S | 84 | 104 | 104.27 | 11 | 228410_← | 320 | V |
| 72 | 88 | 88.25 | 7 | 1986S_ | 480 | S | 85 | 105 | 105.28 | 10 | 85X10510XX_ | 320 | S |
| 72 | 90 | 90.20 | 10 | 729010XX_ | 350 | S | 85 | 105 | 105.28 | 10 | 716102_← | 320 | H |
| 72 | 95 | 95.28 | 10 | 729510XX_ | 350 | S | 85 | 105 | 105.28 | 13 | 85X10513XX_ | 320 | S |
| 72 | 96 | 96.29 | 9 | 227235_← | 320 | H | 85 | 110 | 110.20 | 10 | 85X11010XX_ | 350 | S |
| 72 | 100 | 100.20 | 10 | 72X10010XX_ | 350 | S | 85 | 110 | 110.28 | 12 | 85X11012XX_ | 350 | S |
| 72 | 100 | 100.31 | 12 | 72X10012XX_↔ | 320 | S | 85 | 110 | 110.29 | 12 | 228520_ | 350 | S |
| 74 | 98 | 98.27 | 12 | 227410_→ | 320 | H | 85 | 115 | 115.00 | 13 | 85X11513XX_ | 350 | S |
| 75 | 83 | 87.00 | 4 | 710240_ | # | S | 85 | 120 | 120.28 | 12 | 85X12012XX_ | 320 | S |
| 75 | 90 | 90.20 | 8 | 759008XX_ | 320 | S | 85 | 125 | 125.20 | 12 | 85X12512XX_ | 320 | S |
| 75 | 90 | 90.25 | 10 | 759010XX_ | 320 | S | 85 | 130 | 130.15 | 12.70 | 85X13013XX_ | 480 | S |
| 75 | 95 | 95.28 | 10 | 227530_ | 350 | S | 86 | 103 | 103.28 | 10 | 710235_← | 320 | V |
| 75 | 95 | 95.28 | 10 | 716445_ | 350 | V | 86 | 104 | 104.37 | 11 | 710232_ | 320 | V |
| 75 | 95 | 95.28 | 10 | 759510XX_ | 350 | S | 87 | 100 | 100.28 | 8 | 228700_← | 320 | H |
| 75 | 100 | 100.28 | 10 | 227540_ | 320 | S | 88 | 106 | 106.27 | 8.50 | 710188_← | 320 | V |
| 75 | 100 | 100.20 | 10 | 75X10010XX_ | 320 | S | 88 | 108 | 108.28 | 11 | 3772_← | 350 | H |
| 75 | 100 | 100.27 | 12 | 75X10012XX_ | 320 | S | 88 | 110 | 110.28 | 12 | 88X11012XX_ | 350 | S |
| 75 | 100 | 100.28 | 13 | 227550_← | 320 | H | 89 | 105 | 105.28 | 10 | 710189_← | 470 | V |
| 75 | 100 | 100.18 | 13 | 710384_ | 250 | S | 90 | 104 | 104.27 | 11 | 710237_← | 320 | V |
| 75 | 105 | 105.27 | 13 | 75X10513XX_ | 320 | S | 90 | 110 | 110.29 | 9 | 229005_← | 320 | V |
| 75 | 110 | 110.20 | 12 | 75X11012XX_ | 320 | S | 90 | 110 | 110.29 | 9 | 229006_← | 320 | H |
| 75 | 115 | 115.30 | 12 | 75X11512XX_ | 350 | S | 90 | 110 | 110.29 | 9 | 229010_← | 320 | H |
| 75 | 120 | 120.20 | 10 | 75X12010XX_ | 320 | S | 90 | 110 | 110.20 | 12 | 90X11012XX_ | 350 | S |
| 76 | 92 | 92.28 | 10 | 4307V_← | 320 | V | 90 | 115 | 115.20 | 12 | 90X11512XX_ | 320 | S |
| 76 | 92 | 92.28 | 10 | 327995_← | 320 | V | 90 | 120 | 120.28 | 12 | 90X12012XX_ | 320 | S |
| 76 | 93 | 93.30 | 10 | 1019_← | 320 | H | 90 | 125 | 125.70 | 7 | 90X12507XX_ | 320 | S |
| 76 | 93 | 93.30 | 10 | 1019S_← | 320 | H | 90 | 125 | 125.30 | 13 | 90X12513XX_ | 320 | S |
| 76 | 98 | 98.27 | 12 | 227610_→ | 320 | H | 90 | 145 | 145.20 | 14 | 90X14514XX_ | 320 | S |
| 76 | 102 | 102.20 | 9.50 | 710375_ | # | S | 91 | 110 | 110.29 | 8.50 | 229210_← | 320 | V |
| 78 | 100 | 100.27 | 10 | 78X10010XX_ | 350 | S | 91 | 111 | 111.28 | 10 | 710056_← | 470 | V |
| 78 | 105 | 105.20 | 10 | 78X10510XX_ | 320 | S | 92 | 120 | 120.24 | 13 | 92X12013XX_ | 350 | S |
| 78 | 115 | 115.20 | 10 | 78X11510XX_ | 320 | S | 93 | 114 | 114.30 | 13 | 710288_← | 320 | S |
| 80 | 96 | 96.29 | 9 | 228005_← | 320 | V | 93 | 154 | 154.20 | 8 | 710266_ | # | S |
| 80 | 98 | 98.27 | 10 | 228008_← | 320 | X | 95 | 110 | 110.20 | 10 | 95X11010XX_ | 320 | S |
| 80 | 100 | 100.28 | 10 | 228009_← | 320 | H | 95 | 110 | 110.29 | 11 | 717005_← | 320 | S |
| 80 | 100 | 100.28 | 10 | 228012_ | 350 | S | 95 | 113 | 113.10 | 10 | 710352_ | 470 | V |
| 80 | 100 | 100.20 | 10 | 80X10010XX_ | 350 | S | 95 | 115 | 115.28 | 12 | 95X11512XX_ | 350 | S |
| 80 | 100 | 100.28 | 13 | 228010_← | 320 | H | 95 | 118 | 118.29 | 10 | 710060_← | 320 | H |
| 80 | 100 | 100.28 | 13 | 228015_→ | 320 | H | 95 | 120 | 120.28 | 12 | 95X12012XX_ | 350 | S |
| 80 | 105 | 105.20 | 10 | 80X10510XX_ | 320 | S | 95 | 125 | 125.28 | 12 | 95X12512XX_ | 350 | S |
| 80 | 105 | 105.28 | 13 | 228020_ | 320 | S | 95 | 130 | 130.28 | 12 | 95X13012XX_ | 350 | S |
| 80 | 105 | 105.27 | 13 | 80X10513XX_ | 480 | S | 98 | 120 | 120.20 | 13 | 98X12013XX_ | 350 | S |
| 80 | 110 | 110.29 | 10 | 228030_ | 350 | S | 100 | 114 | 114.20 | 12 | 710410_ | 470 | S |
| 80 | 110 | 110.28 | 10 | 80X11010XX_ | 320 | S | 100 | 120 | 120.30 | 10 | 10X012010XX_ | 350 | S |
| 80 | 110 | 110.28 | 12 | 80X11012XX_ | 350 | S | 100 | 120 | 120.27 | 11 | 231004_ | 320 | H |

| Shaft | Bore | O.D. | Width | Part Number | Style | Matl | Shaft | Bore | O.D. | Width | Part Number | Style | Matl |
|-------|------|--------|-------|---------------|-------|------|-------|--------|--------|-------|--------------|-------|------|
| 100 | 120 | 120.28 | 12 | 10X012012XX_ | 350 | S | 140 | 160 | 160.27 | 13 | 14X016013XX_ | 350 | S |
| 100 | 120 | 120.13 | 12 | 231002_ | 350 | S | 140 | 170 | 170.30 | 12 | 14X017012XX_ | 320 | S |
| 100 | 125 | 125.28 | 12 | 10X012512XX_ | 350 | S | 140 | 170 | 170.21 | 14 | 710406_ | 470 | S |
| 100 | 125 | 125.35 | 12 | 231003_ | 350 | S | 140 | 170 | 170.43 | 15 | 14X017015XX_ | 350 | S |
| 100 | 130 | 130.28 | 12 | 10X013012XX_ | 350 | S | 140 | 180 | 180.30 | 12 | 14X018012XX_ | 350 | S |
| 100 | 135 | 135.36 | 10 | 710351_← | 320 | H | 140 | 180 | 180.38 | 18 | 14X018018XX_ | 320 | S |
| 101 | 114 | 114.10 | 10 | 710371_ | 250 | S | 143 | 168.30 | 168.50 | 13.10 | 417555_ | 410 | S |
| 102 | 130 | 130.28 | 13 | 10X213013XX_ | 350 | S | 144 | 160 | 160.25 | 12 | 14X416012XX_ | 350 | S |
| 105 | 125 | 125.28 | 13 | 10X512513XX_ | 320 | S | 145 | 164 | 264.10 | 14 | 710369_ | 470 | S |
| 105 | 130 | 130.28 | 12 | 10X513012XX_ | 350 | S | 145 | 164 | 164.10 | 14 | 14X516414XX_ | 470 | S |
| 105 | 140 | 140.28 | 12 | 10X514012XX_ | 350 | S | 145 | 170 | 170.45 | 12 | 14X517012XX_ | 350 | S |
| 106 | 126 | 126.37 | 12 | 710366_← | 320 | H | 145 | 175 | 175.38 | 15 | 14X517515XX_ | 350 | S |
| 110 | 130 | 130.35 | 10 | 2261_← | 470 | V | 145 | 180 | 180.28 | 12 | 14X518012XX_ | 350 | S |
| 110 | 130 | 130.28 | 12 | 11X013012XX_ | 350 | S | 145 | 180 | 180.28 | 12 | 14X518012XX_ | 350 | S |
| 110 | 135 | 135.30 | 13 | 11X013513XX_ | 320 | S | 148 | 170 | 170.28 | 15 | 14X817015XX_ | 350 | S |
| 110 | 140 | 140.28 | 12 | 11X014012XX_ | 320 | S | 148 | 170 | 170.28 | 15 | 14X817015XX_ | 350 | S |
| 110 | 140 | 140.23 | 13 | 11X014013XX_ | 450 | S | 150 | 180 | 180.35 | 12 | 15X018012XX_ | 350 | S |
| 110 | 145 | 145.30 | 13 | 11X014513XX_ | 350 | S | 150 | 180 | 180.35 | 15 | 15X018015XX_ | 350 | S |
| 110 | 150 | 150.28 | 15 | 11X015015XX_ | 350 | S | 155 | 180 | 180.23 | 15 | 15X518015XX_ | 320 | S |
| 112 | 140 | 140.32 | 13 | 11X2140013XX_ | 350 | S | 160 | 185 | 185.35 | 10 | 16X018510XX_ | 350 | S |
| 114 | 140 | 140.28 | 13 | 11X414013XX_ | 350 | S | 160 | 190 | 190.35 | 15 | 16X019015XX_ | 350 | S |
| 115 | 135 | 135.36 | 10 | 710258_← | 320 | V | 160 | 200 | 200.20 | 12 | 16X020012XX_ | 320 | S |
| 115 | 140 | 140.28 | 12 | 11X514012XX_ | 350 | S | 160 | 200 | 200.20 | 15 | 16X020015XX_ | 320 | S |
| 115 | 145 | 145.30 | 13 | 11X514513XX_ | 350 | S | 170 | 200 | 200.35 | 15 | 17X020015XX_ | 350 | S |
| 115 | 145 | 145.20 | 14 | 11X514514XX_ | 320 | S | 170 | 210 | 210.20 | 15 | 17X021015XX_ | 320 | S |
| 115 | 150 | 150.28 | 12 | 11X515012XX_ | 350 | S | 175 | 200 | 200.35 | 15 | 17X520015XX_ | 320 | S |
| 115 | 156 | 156.10 | 15.50 | 710372_ | # | S | 180 | 210 | 210.35 | 15 | 18X021015XX_ | 350 | S |
| 120 | 140 | 140.21 | 12 | 717004_ | 480 | S | 185 | 210 | 210.35 | 13 | 18X512013XX_ | 350 | S |
| 120 | 140 | 140.28 | 13 | 12X014013XX_ | 350 | S | 190 | 220 | 220.35 | 16 | 19X022016XX_ | 350 | S |
| 120 | 145 | 145.28 | 12 | 12X014512XX_ | 350 | S | 190 | 230 | 230.20 | 16 | 19X023016XX_ | 320 | S |
| 120 | 150 | 150.28 | 12 | 12X015012XX_ | 350 | S | 200 | 230 | 230.35 | 15 | 20X023015XX_ | 450 | S |
| 120 | 160 | 160.28 | 12 | 12X016012XX_ | 350 | S | 210 | 240 | 240.35 | 15 | 21X024015XX_ | 350 | S |
| 124 | 170 | - | 14.50 | 710381_ | # | S | 210 | 250 | 250.20 | 15 | 21X025015XX_ | 320 | S |
| 125 | 150 | 150.28 | 12 | 12X515012XX_ | 320 | S | 220 | 250 | 250.35 | 15 | 22X025015XX_ | 350 | S |
| 125 | 150 | 150.37 | 12 | 231250_ | 350 | S | 230 | 260 | 260.35 | 15 | 23X026015XX_ | 350 | S |
| 125 | 155 | 155.20 | 12 | 12X515512XX_ | 320 | S | 240 | 270 | 270.35 | 15 | 24X027015XX_ | 350 | S |
| 125 | 160 | 160.28 | 12 | 12X516012XX_ | 350 | S | 240 | 280 | 280.20 | 16 | 24X028016XX_ | 320 | S |
| 125 | 170 | 170.20 | 15 | 12X517015XX_ | 320 | S | 280 | 320 | 320.45 | 20 | 28X032020XX_ | 320 | S |
| 128 | 150 | 150.28 | 15 | 12X815015XX_ | 350 | S | 300 | 340 | 340.45 | 20 | 30X034020XX_ | 320 | S |
| 130 | 150 | 150.10 | 10 | 13X015010XX_ | 470 | S | | | | | | | |
| 130 | 150 | 150.22 | 10 | 710380_ | 470 | S | | | | | | | |
| 130 | 160 | 160.28 | 12 | 13X016012XX_ | 350 | S | | | | | | | |
| 130 | 160 | 160.20 | 15 | 13X016015XX_ | 320 | S | | | | | | | |
| 130 | 170 | 170.30 | 12 | 13X017012XX_ | 350 | S | | | | | | | |
| 130 | 170 | 170.28 | 15 | 13X017015XX_ | 350 | S | | | | | | | |
| 135 | 160 | 160.38 | 13 | 13X516013XX_ | 350 | S | | | | | | | |
| 135 | 170 | 170.38 | 12 | 13X517012XX_ | 350 | S | | | | | | | |
| 138 | 152 | 152.10 | 12 | 13X815212XX_ | 470 | S | | | | | | | |
| 138 | 152 | 152.20 | 12 | 710368_ | 470 | S | | | | | | | |
| 140 | 160 | 160.20 | 12 | 14X016012XX_ | 320 | S | | | | | | | |

| Part Number | Style | Matl | Shaft | Bore | O.D. | Width | Part Number | Style | Matl | Shaft | Bore | O.D. | Width |
|-------------|-------|------|-------|-------|-------|-------|-------------|-------|------|-------|-------|-------|-------|
| 1012N | 320 | S | 45 | 62 | 62.28 | 8 | 1207 | 490 | S | 55 | 74 | 74.17 | 6 |
| 1012S | 350 | S | 45 | 62 | 62.28 | 8 | 1207N | 490 | S | 55 | 74 | 74.17 | 6 |
| 1015 | 350 | S | 18 | 28 | 28.22 | 6 | 1209 | 350 | S | 50 | 65 | 65.15 | 9 |
| 1015N | 350 | S | 18 | 28 | 28.22 | 6 | 1209S | 350 | S | 50 | 65 | 65.15 | 9 |
| 1019← | 320 | H | 76 | 93 | 93.30 | 10 | 1213 | 470 | S | 40 | 54 | 54.15 | 5.30 |
| 1019S← | 320 | H | 76 | 93 | 93.30 | 10 | 1213N | 470 | S | 40 | 54 | 54.15 | 5.30 |
| 1021← | 320 | V | 70 | 87 | 87.27 | 8.50 | 1213S | 470 | S | 40 | 54 | 54.15 | 5.30 |
| 1021V← | 320 | V | 70 | 87 | 87.27 | 8.50 | 1214 | 470 | S | 42 | 55 | 55.17 | 9 |
| 1036→ | 400 | N | 40 | 76 | 76.28 | 9 | 1214N | 470 | S | 42 | 55 | 55.17 | 9 |
| 1038→ | 320 | N | 38 | 59 | 59.28 | 9 | 1215← | # | N | 35 | 48 | 48.13 | 13 |
| 1039S | 350 | S | 60 | 80 | 80.29 | 8 | 1215N← | # | N | 35 | 48 | 48.13 | 13 |
| 1108→ | 320 | V | 35 | 48 | 48.24 | 10 | 1216 | 740 | N | 40 | 64 | 64.16 | 12 |
| 1120← | 320 | V | 38 | 53 | 53.29 | 7 | 1216N | 740 | N | 40 | 64 | 64.16 | 12 |
| 1120S← | 320 | V | 38 | 53 | 53.29 | 7 | 1217 | 350 | N | 40 | 52 | 52.15 | 7 |
| 1121← | 320 | V | 31 | 46 | 46.23 | 8 | 1873→ | 350 | S | 40 | 58.70 | 58.98 | 9.50 |
| 1126 | 250 | S | 39 | 50.40 | 50.57 | 8.50 | 1883 | 320 | S | 52 | 67 | 67.29 | 7 |
| 1126S | 250 | S | 39 | 50.40 | 50.57 | 8.50 | 1884 | 320 | S | 52 | 68 | 68.15 | 7.50 |
| 1129 | 350 | S | 30 | 40 | 40.23 | 7 | 1928 | 470 | S | 57 | 81 | 81.18 | 8 |
| 1136← | 300 | N | 35 | 76 | 76.28 | 9 | 1932 | 490 | S | 56 | 68 | 68.15 | 4.50 |
| 1136S← | 300 | N | 35 | 76 | 76.28 | 9 | 1932S | 490 | S | 56 | 68 | 68.15 | 4.50 |
| 1140→ | 320 | N | 35 | 68 | 68.28 | 9 | 1935 | 470 | S | 63 | 90 | 90.17 | 7 |
| 1146← | 320 | N | 40 | 76 | 76.28 | 9 | 1936 | # | S | 49 | 64 | 64.29 | 6 |
| 1146S← | 320 | N | 40 | 76 | 76.28 | 9 | 1937 | # | S | 47 | 64 | 64.29 | 6 |
| 1147→ | 320 | N | 35 | 76 | 76.28 | 9 | 1938 | # | S | 45 | 64 | 64.29 | 9 |
| 1167 | 320 | N | 32 | 52 | 52.27 | 11 | 1939 | # | S | 45 | 64 | 64.29 | 9 |
| 1167S | 320 | N | 32 | 52 | 52.27 | 11 | 1940→ | 320 | N | 35 | 49.50 | 49.83 | 10 |
| 1168← | 320 | S | 33 | 50 | 50.25 | 12 | 1941 | 470 | S | 51 | 77.50 | 77.65 | 14 |
| 1170 | 320 | S | 35 | 52 | 52.25 | 10 | 1943 | 440 | S | 45 | 72.20 | 72.49 | 7.50 |
| 1170S | 320 | S | 35 | 52 | 52.25 | 10 | 1948 | 350 | S | 50 | 68 | 68.28 | 8 |
| 1172→ | 320 | H | 35 | 47 | 47.40 | 7 | 1950 | 410 | S | 41 | 53 | 53.16 | 7 |
| 1172S→ | 320 | H | 35 | 47 | 47.40 | 7 | 1951 | 870 | S | 45 | 64 | 64.29 | 9 |
| 1173 | 320 | N | 35 | 67 | 67.27 | 12 | 1953 | 320 | N | 42 | 60 | 60.27 | 7 |
| 1174 | 320 | S | 38 | 52 | 52.27 | 7 | 1953S | 320 | N | 42 | 60 | 60.27 | 7 |
| 1174S | 320 | S | 38 | 52 | 52.27 | 7 | 1955 | 350 | S | 52 | 65 | 65.15 | 9 |
| 1175 | 320 | S | 38 | 58 | 58.27 | 11 | 1956 | # | S | 48 | 62 | 62.28 | 9 |
| 1176→ | # | N | 38 | 65 | 65.27 | 12 | 1956S | # | S | 48 | 62 | 62.28 | 9 |
| 1176S→ | # | N | 38 | 65 | 65.27 | 12 | 1958 | 350 | S | 55 | 82 | 82.17 | 10 |
| 1177 | 320 | N | 38 | 74 | 74.17 | 11 | 1960 | 470 | S | 50 | 70 | 70.13 | 9 |
| 1178 | 320 | S | 40 | 52 | 52.25 | 6 | 1962 | 780 | S | 40 | 52 | 52.15 | 7 |
| 1178S | 320 | S | 40 | 52 | 52.25 | 6 | 1963 | 350 | N | 22 | 40 | 40.16 | 7 |
| 1180 | 320 | S | 41 | 55 | 55.17 | 6 | 1964 | 470 | S | 57 | 72 | 72.14 | 8.40 |
| 1180S | 320 | S | 41 | 55 | 55.17 | 6 | 1965 | 480 | V | 36 | 60 | 60.20 | 8 |
| 1181 | 350 | S | 41 | 56 | 56.16 | 7 | 1966→ | 350 | Y | 38 | 52 | 52.27 | 7 |
| 1183 | 340 | S | 43 | 55 | 55.27 | 8 | 1970 | 350 | S | 30 | 42 | 42.24 | 7 |
| 1187S | 320 | S | 47 | 68 | 68.27 | 10 | 1973 | 250 | S | 48 | 65 | 65.15 | 8.10 |
| 1188 | 340 | S | 48 | 62 | 62.28 | 6 | 1974 | 970 | S | 50 | 67 | 67.29 | 11 |
| 1188S | 340 | S | 48 | 62 | 62.28 | 6 | 1975 | 320 | S | 52 | 63 | 63.23 | 8 |
| 1196 | 470 | S | 38 | 52 | 52.27 | 6 | 1975S | 320 | S | 52 | 63 | 63.23 | 8 |
| 1205 | 470 | S | 39 | 52 | 52.15 | 6.30 | 1979→ | 470 | N | 45 | 75 | 75.16 | 12 |
| 1205N | 470 | S | 39 | 52 | 52.15 | 6.30 | 1980→ | 320 | H | 35 | 50 | 50.29 | 7 |

| Part Number | Style | Matl | Shaft | Bore | O.D. | Width | Part Number | Style | Matl | Shaft | Bore | O.D. | Width |
|----------------|-------|------|-------|------|--------|-------|-----------------|-------|------|-------|------|-------|-------|
| 1981 → | 350 | N | 30 | 45 | 45.24 | 8 | 4052R ↔ | # | N | 35 | 52 | 52.13 | 8 |
| 1984 | 250 | S | 57 | 67 | 67.29 | 6 | 4175 | # | S | 40 | 52 | 52.20 | 9 |
| 1985 | 480 | S | 60 | 90 | 90.17 | 14 | 4307V ← | 320 | V | 76 | 92 | 92.28 | 10 |
| 1985S | 480 | S | 60 | 90 | 90.17 | 14 | 4528N | 660 | N | 48 | 65 | 65.15 | 24.50 |
| 1986 | 480 | S | 72 | 88 | 88.25 | 7 | 4898 | 660 | S | 52 | 66 | 66.12 | 7.50 |
| 1986S | 480 | S | 72 | 88 | 88.25 | 7 | 4899 | 660 | S | 56 | 75 | 75.13 | 6.60 |
| 1990 → | 320 | N | 27 | 43 | 43.23 | 9 | 4901 | 400 | N | 35 | 62 | 62.28 | 9 |
| 1992 | 470 | S | 45 | 65 | 65.15 | 5 | 4904 | 660 | S | 49 | 62 | 62.15 | 8.50 |
| 1993 | 470 | S | 56 | 73 | 73.15 | 7.50 | 4989 | # | S | 37 | 62 | 62.26 | 9.50 |
| 1994 | 320 | S | 48 | 70 | 70.28 | 9 | 4990 | 2810 | S | 52 | 68 | 68.28 | 7.60 |
| 2001 ← | 320 | S | 60 | 82 | 82.27 | 12 | 61607XX | 350 | S | 6 | 16 | 16.28 | 7 |
| 2002 | 470 | S | 54 | 65 | 65.15 | 13 | 62207XX | 350 | S | 6 | 22 | 22.28 | 7 |
| 2003 | 470 | S | 36 | 55 | 55.09 | 6.50 | 71607XX | 320 | S | 7 | 16 | 16.28 | 7 |
| 2003N | 470 | S | 36 | 55 | 55.09 | 6.50 | 72207XX | 350 | S | 7 | 22 | 22.28 | 7 |
| 2004 | # | S | 14 | 24 | 24.17 | 12.70 | 81404XX | 350 | S | 8 | 14 | 14.20 | 4 |
| 2007 → | # | S | 35 | 56 | 56.29 | 8 | 81607XX | 350 | S | 8 | 16 | 16.23 | 7 |
| 2007N → | # | S | 35 | 56 | 56.29 | 8 | 81805XX | 350 | S | 8 | 18 | 18.20 | 5 |
| 2007S → | # | S | 35 | 56 | 56.29 | 8 | 81807XX | 320 | S | 8 | 18 | 18.20 | 7 |
| 2008 | # | S | 32 | 54 | 54.15 | 9 | 82207XX | 320 | S | 8 | 22 | 22.28 | 7 |
| 2008S | # | S | 32 | 54 | 54.15 | 9 | 82207XX | 320 | S | 8 | 22 | 22.20 | 7 |
| 2009 | # | N | 38 | 63 | 63.17 | 10 | 82407XX | 350 | S | 8 | 24 | 24.28 | 7 |
| 2009S | # | N | 38 | 63 | 63.17 | 10 | 91807XX | 350 | S | 9 | 18 | 18.20 | 7 |
| 2011 → | 400 | N | 40 | 75 | 75.16 | 12 | 92207XX | 350 | S | 9 | 22 | 22.20 | 7 |
| 2011S → | 400 | N | 40 | 75 | 75.16 | 12 | 92407XX | 350 | S | 9 | 24 | 24.28 | 7 |
| 2012 → | 320 | Y | 43 | 55 | 55.27 | 6 | 92607XX | 350 | S | 9 | 26 | 26.28 | 7 |
| 2012S → | 320 | Y | 43 | 55 | 55.27 | 6 | 101907XX | 350 | S | 10 | 19 | 19.20 | 7 |
| 2012V → | 320 | V | 43 | 55 | 55.27 | 6 | 102207XX | 320 | S | 10 | 22 | 22.28 | 7 |
| 2016 | # | S | 30 | 45 | 45.20 | 15 | 102407XX | 350 | S | 10 | 24 | 24.23 | 7 |
| 2025 | 320 | V | 42 | 60 | 60.27 | 7 | 102507XX | 320 | S | 10 | 25 | 25.28 | 7 |
| 2027 | 350 | S | 15 | 24 | 24.20 | 7 | 102607XX | 320 | S | 10 | 26 | 26.23 | 7 |
| 2261 ← | 470 | V | 110 | 130 | 130.35 | 10 | 111704XX | 320 | S | 11 | 17 | 17.25 | 4 |
| 2440 | 690 | N | 45 | 60 | 60.25 | 10.80 | 112207XX | 350 | S | 11 | 22 | 22.28 | 7 |
| 3051 → | 330 | H | 42 | 55 | 55.27 | 8 | 112607XX | 350 | S | 11 | 26 | 26.28 | 7 |
| 3051N → | 330 | H | 42 | 55 | 55.27 | 8 | 121905XX | 320 | S | 12 | 19 | 19.20 | 5 |
| 3357 | 2830 | S | 38 | 52 | 52.15 | 6 | 122005XX | 320 | S | 12 | 20 | 20.28 | 5 |
| 3392 | 470 | S | 40 | 55 | 55.17 | 8 | 122207XX | 350 | S | 12 | 22 | 22.25 | 7 |
| 3459 ↔ | 740 | N | 40 | 58 | 58.17 | 9 | 122407XX | 320 | S | 12 | 24 | 24.23 | 7 |
| 3459S ↔ | 740 | N | 40 | 58 | 58.17 | 9 | 122507XX | 480 | S | 12 | 25 | 25.25 | 7 |
| 3476 → | 320 | N | 32 | 47 | 47.22 | 8 | 122607XX | 320 | S | 12 | 26 | 26.20 | 7 |
| 3476S → | 320 | N | 32 | 47 | 47.22 | 8 | 122807XX | 350 | S | 12 | 28 | 28.20 | 7 |
| 3655 → | 320 | N | 35 | 52 | 52.27 | 8 | 123007XX | 350 | S | 12 | 30 | 30.20 | 7 |
| 3655S → | 320 | N | 35 | 52 | 52.27 | 8 | 123207XX | 350 | S | 12 | 32 | 32.20 | 7 |
| 3723 | 660 | S | 55 | 70 | 70.13 | 9 | 123507XX | 320 | S | 12 | 35 | 35.20 | 7 |
| 3743 | 660 | S | 50 | 65 | 65.15 | 9 | 132206XX | 320 | S | 13 | 22 | 22.20 | 6 |
| 3771 → | 350 | H | 35 | 50 | 50.29 | 7 | 132607XX | 320 | S | 13 | 26 | 26.20 | 7 |
| 3772 ← | 350 | H | 88 | 108 | 108.28 | 11 | 132807XX | 320 | S | 13 | 28 | 28.20 | 7 |
| 3774S → | 350 | H | 42 | 56 | 56.34 | 7 | 133007XX | 320 | S | 13 | 30 | 30.20 | 7 |
| 3774 → | 350 | H | 42 | 56 | 56.34 | 7 | 142407XX | 350 | S | 14 | 24 | 24.23 | 7 |
| 3816 | 2710 | S | 18 | 30 | 30.10 | 6.70 | 142505XX | 320 | S | 14 | 25 | 25.23 | 5 |
| 3907 | 570 | N | 30 | 58 | 58.09 | 9.50 | 142607XX | 320 | S | 14 | 26 | 26.23 | 7 |

| Part Number | Style | Matl | Shaft | Bore | O.D. | Width | Part Number | Style | Matl | Shaft | Bore | O.D. | Width |
|-------------|-------|------|-------|------|-------|-------|-------------|-------|------|-------|------|-------|-------|
| 142707XX | 320 | S | 14 | 27 | 27.20 | 7 | 193207XX | 350 | S | 19 | 32 | 32.20 | 7 |
| 142806XX | 350 | S | 14 | 28 | 28.23 | 6 | 193208XX | 320 | S | 19 | 32 | 32.20 | 8 |
| 143007XX | 320 | S | 14 | 30 | 30.20 | 7 | 193510XX | 350 | S | 19 | 35 | 35.23 | 10 |
| 143207XX | 320 | S | 14 | 32 | 32.20 | 7 | 194010XX | 350 | S | 19 | 40 | 40.23 | 10 |
| 143507XX | 350 | S | 14 | 35 | 35.22 | 7 | 194707XX | 320 | S | 19 | 47 | 47.20 | 7 |
| 152407XX | 350 | S | 15 | 24 | 24.23 | 7 | 202806XX | 320 | S | 20 | 28 | 28.20 | 6 |
| 152505XX | 320 | S | 15 | 25 | 25.20 | 5 | 203007XX | 350 | S | 20 | 30 | 30.28 | 7 |
| 152507XX | 350 | S | 15 | 25 | 25.20 | 7 | 203207XX | 350 | S | 20 | 32 | 32.23 | 7 |
| 152607XX | 350 | S | 15 | 26 | 26.23 | 7 | 203507XX | 350 | S | 20 | 35 | 35.23 | 7 |
| 152807XX | 320 | S | 15 | 28 | 28.20 | 7 | 203607XX | 320 | S | 20 | 36 | 36.20 | 7 |
| 153007XX | 350 | S | 15 | 30 | 30.23 | 7 | 203707XX | 320 | S | 20 | 37 | 37.20 | 7 |
| 153207XX | 350 | S | 15 | 32 | 32.20 | 7 | 203708XX | 320 | S | 20 | 37 | 37.20 | 8 |
| 153207XX | 350 | S | 15 | 32 | 32.20 | 7 | 203807XX | 320 | S | 20 | 38 | 38.20 | 7 |
| 153208XX | 350 | S | 15 | 32 | 32.22 | 8 | 204007XX | 350 | S | 20 | 40 | 40.23 | 7 |
| 153507XX | 350 | S | 15 | 35 | 35.23 | 7 | 204010XX | 350 | S | 20 | 40 | 40.23 | 10 |
| 153706XX | 320 | S | 15 | 37 | 37.20 | 6 | 204207XX | 350 | S | 20 | 42 | 42.25 | 7 |
| 154007XX | 320 | S | 15 | 40 | 40.20 | 7 | 204210XX | 320 | S | 20 | 42 | 42.15 | 10 |
| 162204XX | 320 | S | 16 | 22 | 22.20 | 4 | 204707XX | 350 | S | 20 | 47 | 47.22 | 7 |
| 162405XX | 350 | S | 16 | 25 | 25.20 | 5 | 205207XX | 350 | S | 20 | 52 | 52.20 | 7 |
| 162406XX | 320 | S | 16 | 24 | 24.20 | 6 | 213507XX | 320 | S | 21 | 35 | 35.20 | 7 |
| 162407XX | 320 | S | 16 | 24 | 24.20 | 7 | 213508XX | 320 | S | 21 | 35 | 35.20 | 8 |
| 162607XX | 320 | S | 16 | 26 | 26.20 | 7 | 220818 | 320 | S | 8 | 18 | 18.20 | 7 |
| 162807XX | 350 | S | 16 | 28 | 28.23 | 7 | 220860 | 350 | S | 8 | 16 | 16.20 | 6 |
| 162807XX | 350 | S | 16 | 28 | 28.20 | 7 | 220918 | 350 | S | 9 | 18 | 18.20 | 7 |
| 163007XX | 350 | S | 16 | 30 | 30.23 | 7 | 221040 | 350 | S | 10 | 19 | 19.23 | 7 |
| 163207XX | 320 | S | 16 | 32 | 32.28 | 7 | 221122 | 350 | S | 11 | 22 | 22.23 | 7 |
| 163507XX | 350 | S | 16 | 35 | 35.23 | 7 | 221207 | 350 | S | 12 | 22 | 22.25 | 7 |
| 163807XX | 320 | S | 16 | 38 | 38.20 | 7 | 221208 | 350 | V | 12 | 22 | 22.23 | 7 |
| 164007XX | 320 | S | 16 | 40 | 40.20 | 7 | 221410 | 350 | S | 14 | 24 | 24.23 | 6 |
| 172707XX | 320 | S | 17 | 27 | 27.20 | 7 | 221510 | 320 | N | 15 | 25 | 25.25 | 6 |
| 172807XX | 350 | S | 17 | 28 | 28.23 | 7 | 221540 | 350 | S | 15 | 30 | 30.23 | 7 |
| 173007XX | 350 | S | 17 | 30 | 30.23 | 7 | 221607 | # | N | 16 | 27 | 27.20 | 14 |
| 173207XX | 350 | S | 17 | 32 | 32.22 | 7 | 221610 | 320 | N | 16 | 28 | 28.22 | 7 |
| 173507XX | 350 | S | 17 | 35 | 35.18 | 7 | 221620 | 350 | S | 16 | 30 | 30.23 | 7 |
| 173508XX | 350 | S | 17 | 35 | 35.20 | 8 | 221710 | 350 | S | 17 | 28 | 28.22 | 7 |
| 173707XX | 320 | S | 17 | 37 | 37.20 | 7 | 221720 | 470 | S | 17 | 30 | 30.23 | 7 |
| 173807XX | 320 | S | 17 | 38 | 38.20 | 7 | 221730 | 350 | S | 17 | 32 | 32.23 | 7 |
| 174007XX | 350 | S | 17 | 40 | 40.23 | 7 | 221735 | 350 | S | 17 | 35 | 35.23 | 7 |
| 174707XX | 350 | S | 17 | 47 | 47.20 | 7 | 221820 | 320 | S | 18 | 30 | 30.23 | 8 |
| 174708XX | 320 | S | 17 | 47 | 47.20 | 8 | 221830 | 350 | S | 18 | 32 | 32.23 | 7 |
| 182806XX | 350 | S | 18 | 28 | 28.28 | 6 | 221920 | 320 | S | 19 | 30 | 30.23 | 5 |
| 183007XX | 350 | S | 18 | 30 | 30.23 | 7 | 221922 | 320 | S | 19 | 32 | 32.23 | 8 |
| 183207XX | 350 | S | 18 | 32 | 32.20 | 7 | 221925 | 350 | S | 19 | 36 | 36.23 | 6.50 |
| 183208XX | 350 | S | 18 | 32 | 32.22 | 8 | 222020 | 350 | S | 20 | 32 | 32.23 | 7 |
| 183507XX | 320 | S | 18 | 35 | 35.18 | 7 | 222025 | 350 | S | 20 | 30 | 30.23 | 7 |
| 183708XX | 320 | S | 18 | 37 | 37.20 | 8 | 222030→ | 320 | S | 20 | 35 | 35.23 | 5.50 |
| 183807XX | 320 | S | 18 | 38 | 38.20 | 7 | 222036 | 320 | V | 20 | 36 | 36.22 | 7 |
| 184007XX | 350 | S | 18 | 40 | 40.22 | 7 | 222050 | 350 | S | 20 | 40 | 40.23 | 7 |
| 192706XX | 350 | S | 19 | 27 | 27.20 | 6 | 222060 | 350 | S | 20 | 47 | 47.22 | 7 |
| 193007XX | 320 | S | 19 | 30 | 30.20 | 7 | 222210 | 350 | S | 22 | 32 | 32.23 | 7 |

| Part Number | Style | Matl | Shaft | Bore | O.D. | Width | Part Number | Style | Matl | Shaft | Bore | O.D. | Width |
|-----------------|-------|------|-------|------|-------|-------|-----------------|-------|------|-------|-------|-------|-------|
| 222220 | 320 | S | 22 | 35 | 35.23 | 7 | 223550 | 450 | S | 35 | 58 | 58.27 | 10 |
| 222238 | 320 | S | 22 | 38 | 38.20 | 8 | 223552 | 320 | S | 35 | 62 | 62.28 | 7 |
| 222240 | 350 | S | 22 | 40 | 40.23 | 7 | 223553 → | 400 | N | 35 | 62 | 62.28 | 9 |
| 222242 | 320 | N | 22 | 40 | 40.23 | 9 | 223554 | # | S | 35 | 63 | 63.17 | 10 |
| 222267 ← | 320 | H | 22 | 45 | 45.24 | 8 | 223555 | 470 | N | 35 | 64 | 64.13 | 8 |
| 222330 ← | 320 | N | 23 | 34 | 34.24 | 8 | 223580 → | 400 | S | 35 | 68 | 68.16 | 9 |
| 222410 | 350 | S | 24 | 35 | 35.23 | 7 | 223601 | 350 | S | 36 | 47 | 47.22 | 7 |
| 222430 | 350 | S | 24 | 40 | 40.23 | 7 | 223602 → | 320 | N | 36 | 49 | 49.23 | 7 |
| 222510 | 350 | S | 25 | 35 | 35.13 | 7 | 223605 | 470 | S | 36 | 50 | 50.14 | 7 |
| 222535 → | 320 | S | 25 | 38 | 38.23 | 7 | 223606 | 480 | S | 26 | 42 | 42.14 | 8 |
| 222540 | 470 | S | 25 | 40 | 40.23 | 7 | 223607XX | 320 | S | 22 | 36 | 36.20 | 7 |
| 222560 | 350 | S | 25 | 47 | 47.22 | 7 | 223608 ← | 320 | S | 36 | 52 | 52.20 | 10 |
| 222580 | 320 | S | 25 | 62 | 62.28 | 10 | 223610 | 350 | S | 36 | 54 | 54.28 | 7.50 |
| 222655 → | 320 | S | 26 | 48 | 48.24 | 7 | 223707XX | 350 | S | 22 | 37 | 37.23 | 7 |
| 222743 ← | 320 | H | 27 | 43 | 43.20 | 9 | 223750 → | 320 | N | 37 | 50 | 50.29 | 6 |
| 222745 ← | 320 | N | 27 | 45 | 45.24 | 9 | 223800 → | 320 | N | 38 | 50 | 50.28 | 8 |
| 222820 | 330 | S | 28 | 40 | 40.23 | 7 | 223801 | 320 | S | 38 | 50 | 50.29 | 8 |
| 222830 | 320 | N | 28 | 41 | 41.27 | 7 | 223802 → | 320 | N | 38 | 50 | 50.25 | 6 |
| 222835 | 320 | N | 28 | 44 | 44.22 | 6 | 223805 | 250 | S | 38 | 57 | 47.00 | 7 |
| 222860 → | 320 | N | 28 | 47 | 47.22 | 8 | 223807XX | 350 | S | 22 | 38 | 38.20 | 7 |
| 223005 | 480 | S | 30 | 40 | 40.23 | 7 | 223808XX | 320 | S | 22 | 38 | 38.20 | 8 |
| 223010 → | 320 | S | 30 | 42 | 42.24 | 7 | 223830 | 350 | N | 38 | 55 | 55.27 | 9 |
| 223012 → | 320 | N | 30 | 44 | 44.22 | 9 | 223831 → | 320 | N | 38 | 55 | 55.27 | 9 |
| 223014 | 320 | S | 30 | 45 | 45.24 | 6 | 223840 | 470 | S | 38 | 58 | 58.17 | 8 |
| 223018 → | 320 | S | 30 | 46 | 46.23 | 7 | 223843 | 350 | S | 38 | 60 | 60.27 | 10 |
| 223020 | 350 | S | 30 | 47 | 47.22 | 7 | 224007XX | 350 | S | 22 | 40 | 40.23 | 7 |
| 223035 | 350 | S | 30 | 52 | 52.27 | 7 | 224008XX | 350 | S | 22 | 40 | 40.20 | 8 |
| 223050 ← | 320 | S | 30 | 50 | 50.24 | 9 | 224010 | 350 | S | 40 | 52 | 52.15 | 7 |
| 223207XX | 350 | S | 22 | 32 | 32.23 | 7 | 224015 → | 320 | S | 40 | 52 | 52.27 | 6 |
| 223210 | 340 | S | 32 | 40 | 40.15 | 5 | 224020 → | 320 | S | 40 | 55 | 55.27 | 8 |
| 223215 ← | 320 | S | 32 | 42 | 42.20 | 10 | 224025 → | 320 | N | 40 | 56 | 56.29 | 8 |
| 223220 → | 320 | N | 32 | 44 | 44.22 | 6 | 224026 ↔ | 350 | V | 40 | 56 | 56.29 | 9 |
| 223230 | 320 | S | 32 | 45 | 45.24 | 7 | 224040 | 350 | S | 40 | 60 | 60.27 | 10 |
| 223235 → | 320 | N | 32 | 46 | 46.23 | 6 | 224045 | 320 | S | 40 | 62 | 62.28 | 11 |
| 223240 → | 400 | N | 32 | 48 | 48.24 | 7 | 224052 → | 320 | H | 40 | 52 | 52.27 | 7 |
| 223250 → | 320 | S | 32 | 50 | 50.24 | 8 | 224063 → | 320 | N | 40 | 63 | 63.27 | 8 |
| 223252 ← | 320 | N | 32 | 52 | 52.28 | 11 | 224066 → | 400 | N | 40 | 66 | 66.27 | 8 |
| 223253 → | 320 | N | 32 | 53 | 53.29 | 7 | 224100 | 350 | S | 40 | 65 | 65.15 | 10 |
| 223255 | 350 | S | 32 | 52 | 52.27 | 7 | 224200 | 320 | S | 42 | 55 | 55.17 | 6 |
| 223340 → | 320 | S | 33 | 47 | 47.22 | 7 | 224200S | 320 | S | 42 | 55 | 55.17 | 6 |
| 223400 | 320 | N | 34 | 44 | 44.23 | 8 | 224205 → | 320 | N | 42 | 55 | 55.33 | 8 |
| 223420 → | 320 | N | 34 | 48 | 48.24 | 8 | 224207XX | 320 | S | 22 | 42 | 42.20 | 7 |
| 223440 | 320 | N | 34 | 53 | 53.28 | 8 | 224210XX | 350 | S | 22 | 42 | 42.20 | 10 |
| 223507XX | 350 | S | 22 | 35 | 35.23 | 7 | 224210 | 350 | S | 42 | 55 | 55.17 | 6 |
| 223510 | 350 | S | 35 | 47 | 47.22 | 7 | 224215 ← | 320 | N | 42 | 58 | 58.27 | 9.50 |
| 223520 | 350 | S | 35 | 50 | 50.29 | 8 | 224220 | 490 | S | 42 | 56 | 56.21 | 7 |
| 223535 | 330 | S | 35 | 52 | 52.15 | 7 | 224235 | 480 | S | 42 | 58 | 58.17 | 9 |
| 223540 | 320 | N | 35 | 55 | 55.27 | 8 | 224250 → | 350 | S | 42 | 62 | 62.28 | 10 |
| 223542 | 320 | N | 35 | 55 | 55.27 | 8 | 224252 | 320 | S | 42 | 62 | 62.28 | 7 |
| 223543 | 320 | S | 35 | 56 | 56.29 | 10 | 224254 | 340 | S | 42 | 64.10 | 64.39 | 6 |

| Part Number | Style | Matl | Shaft | Bore | O.D. | Width | Part Number | Style | Matl | Shaft | Bore | O.D. | Width |
|-------------|-------|------|-------|------|-------|-------|-------------|-------|------|-------|------|--------|-------|
| 224255 | 470 | N | 42 | 65 | 65.15 | 10 | 225535 | 320 | S | 55 | 72 | 72.29 | 10 |
| 224270 | 350 | S | 42 | 72 | 72.27 | 10 | 225540 | 320 | S | 52 | 72 | 72.29 | 7.50 |
| 224320 | 470 | S | 43 | 62 | 62.18 | 10 | 225545 | 350 | S | 55 | 75 | 75.24 | 10 |
| 224400 | 250 | S | 43 | 54 | 54.15 | 6.50 | 225550 | 320 | S | 56 | 72 | 72.14 | 9 |
| 224460→ | 350 | X | 44 | 60 | 60.27 | 7 | 225673 | # | S | 56 | 73 | 73.15 | 7.50 |
| 224462 | 320 | S | 44 | 62 | 62.28 | 8 | 225678 | # | S | 56 | 78 | 78.28 | 7.50 |
| 224464← | 320 | N | 44 | 62 | 62.28 | 10 | 225775 | # | S | 56 | 75 | 75.33 | 7 |
| 224465→ | 320 | S | 44 | 65 | 65.28 | 11 | 225874 | 1010 | N | 58 | 74 | 74.12 | 13 |
| 224507XX | 350 | S | 22 | 45 | 45.23 | 7 | 225875 | 320 | S | 58 | 75 | 75.29 | 9 |
| 224520 | 350 | S | 45 | 60 | 60.27 | 8 | 225877 | 350 | N | 58 | 77 | 77.27 | 8.50 |
| 224560 | 320 | S | 45 | 68 | 68.28 | 8.50 | 225880 | 350 | S | 58 | 80 | 80.29 | 8 |
| 224570 | 350 | S | 45 | 72 | 72.29 | 7 | 226015← | 320 | N | 60 | 75 | 75.29 | 9 |
| 224650→ | 320 | N | 46 | 58 | 58.27 | 7 | 226018 | 350 | N | 60 | 78 | 78.28 | 9 |
| 224660→ | 320 | H | 46 | 60 | 60.27 | 7 | 226150 | # | S | 61 | 76 | 76.28 | 7 |
| 224707XX | 350 | S | 22 | 47 | 47.23 | 7 | 226285 | 410 | S | 62 | 85 | 85.17 | 8 |
| 224772 | 480 | S | 47 | 72 | 72.16 | 8 | 226480→ | 330 | H | 64 | 80 | 80.21 | 8 |
| 224810 | 320 | N | 48 | 62 | 62.28 | 7 | 226510→ | 320 | Y | 65 | 81 | 81.28 | 7 |
| 224820 | 320 | S | 48 | 62 | 62.28 | 8 | 226520 | 350 | S | 65 | 85 | 85.22 | 10 |
| 224835→ | 320 | N | 48 | 68 | 68.28 | 11 | 226530 | 350 | S | 65 | 90 | 90.27 | 10 |
| 224840→ | 320 | S | 48 | 68 | 68.28 | 11 | 226610 | 410 | N | 66 | 80 | 80.11 | 9 |
| 224850 | 350 | S | 48 | 72 | 72.29 | 8.50 | 227020← | 320 | H | 70 | 88 | 88.29 | 12 |
| 224865 | 320 | S | 48 | 65 | 65.28 | 9 | 227040← | 350 | H | 70 | 90 | 90.32 | 10 |
| 224870 | 470 | S | 48 | 73 | 73.10 | 7 | 227045← | 470 | H | 70 | 92 | 92.28 | 8.50 |
| 224872 | 320 | S | 48 | 72 | 72.29 | 8.50 | 227235← | 320 | H | 72 | 96 | 96.29 | 9 |
| 224874 | 320 | S | 48 | 74 | 74.27 | 10 | 227410→ | 320 | H | 74 | 98 | 98.27 | 12 |
| 224979 | 470 | N | 49 | 79 | 79.10 | - | 227530 | 350 | S | 75 | 95 | 95.28 | 10 |
| 225005 | 320 | S | 50 | 62 | 62.18 | 7 | 227540 | 320 | S | 75 | 100 | 100.28 | 10 |
| 225008 | 470 | S | 50 | 62 | 62.13 | 9 | 227550← | 320 | H | 75 | 100 | 100.28 | 13 |
| 225010 | 470 | S | 50 | 65 | 65.15 | 9 | 227610→ | 320 | H | 76 | 98 | 98.27 | 12 |
| 225020→ | 320 | V | 50 | 68 | 68.28 | 9 | 228005← | 320 | V | 80 | 96 | 96.29 | 9 |
| 225030 | 350 | S | 50 | 72 | 72.29 | 8 | 228008← | 320 | X | 80 | 98 | 98.27 | 10 |
| 225035 | 320 | S | 50 | 72 | 72.29 | 9 | 228009← | 320 | H | 80 | 100 | 100.28 | 10 |
| 225040→ | 320 | S | 50 | 72 | 72.29 | 12 | 228010← | 320 | H | 80 | 100 | 100.28 | 13 |
| 225050 | 350 | S | 50 | 80 | 80.29 | 8 | 228012 | 350 | S | 80 | 100 | 100.28 | 10 |
| 225082 | # | S | 50 | 82 | 82.18 | 8 | 228015→ | 320 | H | 80 | 100 | 100.28 | 13 |
| 225110 | 470 | S | 51 | 65 | 65.15 | 7 | 228020 | 320 | S | 80 | 105 | 105.28 | 13 |
| 225208 | 320 | S | 52 | 65 | 65.28 | 9 | 228030 | 350 | S | 80 | 110 | 110.29 | 10 |
| 225210 | 350 | N | 52 | 66 | 66.27 | 9 | 228250← | 320 | H | 83 | 100 | 100.28 | 9 |
| 225220 | 350 | S | 52 | 68 | 68.15 | 6.50 | 228410← | 320 | V | 84 | 104 | 104.27 | 11 |
| 225225 | 470 | S | 52 | 70 | 70.16 | 8 | 228480← | 320 | H | 82 | 105 | 105.32 | 13 |
| 225227 | # | S | 56 | 72 | 72.27 | 12.50 | 228520 | 350 | S | 85 | 110 | 110.29 | 12 |
| 225230 | 350 | S | 52 | 72 | 72.29 | 7.70 | 228700← | 320 | H | 87 | 100 | 100.28 | 8 |
| 225275 | 660 | S | 52 | 75 | 75.11 | 7.50 | 229005← | 320 | V | 90 | 110 | 110.29 | 9 |
| 225278 | 350 | N | 52 | 78 | 78.28 | 9 | 229006← | 320 | H | 90 | 110 | 110.29 | 9 |
| 225410 | # | S | 54 | 66 | 66.17 | 7.50 | 229010← | 320 | H | 90 | 110 | 110.29 | 9 |
| 225420 | 320 | S | 54 | 72 | 72.25 | 10 | 229210← | 320 | V | 91 | 110 | 110.29 | 8.50 |
| 225450 | 320 | S | 54 | 82 | 82.30 | 8 | 231002 | 350 | S | 100 | 120 | 120.13 | 12 |
| 225500 | 320 | S | 55 | 68 | 68.28 | 8 | 231003 | 350 | S | 100 | 125 | 125.35 | 12 |
| 225505 | 320 | S | 55 | 70 | 70.13 | 9 | 231004 | 320 | H | 100 | 120 | 120.27 | 11 |
| 225530 | 350 | S | 55 | 72 | 72.24 | 8 | 231250 | 350 | S | 125 | 150 | 150.37 | 12 |

| Part Number | Style | Matl | Shaft | Bore | O.D. | Width | Part Number | Style | Matl | Shaft | Bore | O.D. | Width |
|-----------------|-------|------|-------|------|-------|-------|-----------------|-------|------|-------|------|-------|-------|
| 239134 | # | S | 37 | 78 | 78.30 | 12 | 284707XX | 350 | S | 28 | 47 | 47.22 | 7 |
| 239146 ← | 480 | S | 38 | 54 | 54.28 | 8 | 284808XX | 320 | S | 28 | 48 | 48.20 | 8 |
| 239201 | 320 | S | 40 | 52 | 52.27 | 15 | 285207XX | 350 | S | 28 | 52 | 52.23 | 7 |
| 243507XX | 350 | S | 24 | 35 | 35.23 | 7 | 304007XX | 350 | S | 30 | 40 | 40.23 | 7 |
| 243707XX | 350 | S | 24 | 37 | 37.23 | 7 | 304207XX | 350 | S | 30 | 42 | 42.20 | 7 |
| 243807XX | 320 | S | 24 | 38 | 38.20 | 7 | 304407XX | 250 | S | 30 | 44 | 44.28 | 7 |
| 244007XX | 350 | S | 24 | 40 | 40.23 | 7 | 304505XX | 320 | S | 30 | 45 | 45.22 | 5 |
| 244207XX | 320 | S | 24 | 42 | 42.20 | 7 | 304508XX | 320 | S | 30 | 45 | 45.20 | 8 |
| 244210XX | 320 | S | 24 | 42 | 42.25 | 10 | 304607XX | 320 | S | 30 | 46 | 46.20 | 7 |
| 244707XX | 350 | S | 24 | 47 | 47.23 | 7 | 304707XX | 350 | S | 30 | 47 | 47.25 | 7 |
| 245207XX | 320 | S | 24 | 52 | 52.20 | 7 | 304808XX | 350 | S | 30 | 48 | 48.28 | 8 |
| 253506XX | 320 | S | 25 | 35 | 35.20 | 6 | 305007XX | 350 | S | 30 | 50 | 50.23 | 7 |
| 253506XX | 320 | S | 25 | 35 | 35.25 | 7 | 305008XX | 480 | S | 30 | 50 | 50.20 | 8 |
| 253607XX | 320 | S | 25 | 36 | 36.23 | 7 | 305207XX | 350 | S | 30 | 52 | 52.23 | 7 |
| 253608XX | 350 | S | 25 | 36 | 36.22 | 8 | 305510XX | 350 | S | 30 | 55 | 55.28 | 10 |
| 253707XX | 320 | S | 25 | 37 | 37.20 | 7 | 305608XX | 350 | S | 30 | 56 | 56.20 | 8 |
| 253807XX | 350 | S | 25 | 38 | 38.23 | 7 | 306207XX | 350 | S | 30 | 62 | 62.28 | 7 |
| 254007XX | 350 | S | 25 | 40 | 40.22 | 7 | 307210XX | 350 | S | 30 | 72 | 72.27 | 10 |
| 254206XX | 350 | S | 25 | 42 | 42.20 | 6 | 314408XX | 320 | S | 31 | 44 | 44.20 | 8 |
| 254208XX | 320 | S | 25 | 42 | 42.20 | 8 | 320564 → | 320 | V | 45 | 68 | 68.28 | 12 |
| 254210XX | 350 | S | 25 | 42 | 42.28 | 10 | 320583 → | 320 | S | 43 | 60 | 60.27 | 9 |
| 254508XX | 350 | S | 25 | 45 | 45.23 | 8 | 320595 ← | 320 | S | 29 | 45 | 45.24 | 8 |
| 254607XX | 320 | S | 25 | 46 | 46.20 | 7 | 324207XX | 350 | S | 32 | 42 | 42.20 | 7 |
| 254707XX | 350 | S | 25 | 47 | 47.23 | 7 | 324208XX | 320 | S | 32 | 42 | 42.20 | 8 |
| 254808XX | 320 | S | 25 | 48 | 48.20 | 8 | 324307XX | 320 | S | 32 | 43 | 43.20 | 7 |
| 255010XX | 350 | S | 25 | 50 | 50.28 | 10 | 324507XX | 320 | S | 32 | 45 | 45.23 | 7 |
| 255207XX | 350 | S | 25 | 52 | 52.27 | 7 | 324606XX | 320 | S | 32 | 46 | 46.23 | 6 |
| 255208XX | 350 | S | 25 | 52 | 52.20 | 8 | 324707XX | 350 | S | 32 | 47 | 47.23 | 7 |
| 255210XX | 350 | S | 25 | 52 | 52.20 | 10 | 324808XX | 350 | S | 32 | 48 | 48.20 | 8 |
| 256210XX | 320 | S | 25 | 62 | 62.28 | 10 | 325008XX | 350 | S | 32 | 50 | 50.23 | 8 |
| 263707XX | 320 | S | 26 | 37 | 37.20 | 7 | 325207XX | 350 | S | 32 | 52 | 52.28 | 7 |
| 263805XX | 320 | S | 26 | 38 | 38.20 | 5 | 325410XX | 320 | S | 32 | 54 | 54.23 | 10 |
| 264007XX | 320 | S | 26 | 40 | 40.20 | 7 | 325610XX | 350 | S | 32 | 56 | 56.28 | 10 |
| 264207XX | 320 | S | 26 | 42 | 42.20 | 7 | 325808XX | 320 | S | 32 | 58 | 58.20 | 8 |
| 264210XX | 350 | S | 26 | 42 | 42.23 | 10 | 326008XX | 320 | S | 32 | 60 | 60.20 | 8 |
| 264707XX | 350 | S | 26 | 47 | 47.23 | 7 | 326010XX | 480 | S | 32 | 60 | 60.20 | 10 |
| 264807XX | 320 | S | 26 | 48 | 48.23 | 7 | 326208XX | 320 | S | 32 | 62 | 62.20 | 8 |
| 265208XX | 320 | S | 26 | 52 | 52.20 | 8 | 327208XX | 320 | S | 32 | 72 | 72.20 | 8 |
| 273707XX | 350 | S | 27 | 37 | 37.15 | 7 | 327995 ← | 320 | V | 76 | 92 | 92.28 | 10 |
| 274210XX | 350 | S | 27 | 42 | 42.23 | 10 | 334111 | 330 | S | 43 | 54 | 54.15 | 7.50 |
| 274308XX | 320 | S | 27 | 43 | 43.20 | 8 | 335012XX | 320 | S | 33 | 50 | 50.25 | 12 |
| 274508XX | 350 | S | 27 | 45 | 45.25 | 8 | 335206XX | 320 | S | 33 | 52 | 52.25 | 6 |
| 274710XX | 350 | S | 27 | 47 | 47.23 | 10 | 344508XX | 320 | S | 34 | 45 | 45.20 | 8 |
| 275208XX | 350 | S | 27 | 52 | 52.20 | 8 | 345208XX | 320 | S | 34 | 52 | 52.28 | 8 |
| 283807XX | 350 | S | 28 | 38 | 38.23 | 7 | 345409XX | 350 | S | 34 | 54 | 54.20 | 9 |
| 284007XX | 350 | S | 28 | 40 | 40.26 | 7 | 345509XX | 320 | S | 34 | 55 | 55.20 | 9 |
| 284008XX | 320 | S | 28 | 40 | 40.20 | 8 | 346210XX | 350 | S | 34 | 62 | 62.18 | 10 |
| 284208XX | 350 | S | 28 | 42 | 42.23 | 8 | 350572 | 350 | V | 40 | 72 | 72.24 | 7 |
| 284406XX | 320 | N | 28 | 44 | 44.23 | 6 | 350609 ← | 350 | N | 44 | 68 | 68.28 | 8 |
| 284508XX | 320 | S | 28 | 45 | 45.20 | 8 | 354507XX | 350 | S | 35 | 45 | 45.15 | 7 |

| Part Number | Style | Matl | Shaft | Bore | O.D. | Width | Part Number | Style | Matl | Shaft | Bore | O.D. | Width |
|-------------|-------|------|-------|------|-------|-------|-------------|-------|------|-------|--------|--------|-------|
| 354707XX | 350 | S | 35 | 47 | 47.23 | 7 | 405008XX | 350 | S | 40 | 50 | 50.20 | 8 |
| 354808XX | 320 | S | 35 | 48 | 48.20 | 8 | 405207XX | 350 | S | 40 | 52 | 52.25 | 7 |
| 355007XX | 350 | S | 35 | 50 | 50.20 | 7 | 405406XX | 470 | S | 40 | 54 | 54.20 | 5.50 |
| 355008XX | 350 | S | 35 | 50 | 50.24 | 8 | 405506XX | 350 | S | 40 | 55 | 55.20 | 6.50 |
| 355207XX | 350 | S | 35 | 52 | 52.20 | 7 | 405508XX | 350 | S | 40 | 55 | 55.28 | 8 |
| 355208XX | 330 | S | 35 | 52 | 52.13 | 8 | 405607XX | 320 | S | 40 | 56 | 56.20 | 7 |
| 355408XX | 350 | S | 35 | 54 | 54.20 | 8 | 405710XX | 320 | S | 40 | 57 | 57.20 | 10 |
| 355508XX | 470 | S | 35 | 55 | 55.10 | 8 | 405808XX | 350 | S | 40 | 58 | 58.20 | 8 |
| 355511XX | 320 | S | 35 | 55 | 55.23 | 11 | 405810XX | 320 | S | 40 | 58 | 58.28 | 10 |
| 355608XX | 350 | S | 35 | 56 | 56.20 | 8 | 406010XX | 350 | S | 40 | 60 | 60.20 | 10 |
| 355610XX | 320 | S | 35 | 56 | 56.27 | 10 | 406207XX | 350 | S | 40 | 62 | 62.20 | 7 |
| 355810XX | 350 | S | 35 | 58 | 58.28 | 10 | 406208XX | 320 | S | 40 | 62 | 62.25 | 8 |
| 356010XX | 350 | S | 35 | 60 | 60.23 | 10 | 406212XX | 350 | S | 40 | 62 | 62.25 | 11.50 |
| 356207XX | 350 | S | 35 | 62 | 62.28 | 7 | 406510XX | 350 | S | 40 | 65 | 65.28 | 10 |
| 356210XX | 350 | S | 35 | 62 | 62.20 | 10 | 406808XX | 350 | S | 40 | 68 | 68.80 | 8 |
| 356408XX | 470 | N | 35 | 64 | 64.13 | 8 | 406812XX | 350 | S | 40 | 68 | 68.25 | 12 |
| 356508XX | 320 | S | 35 | 65 | 65.20 | 8 | 407008XX | 320 | S | 40 | 70 | 70.20 | 8 |
| 356510XX | 320 | S | 35 | 65 | 65.20 | 10 | 407207XX | 350 | S | 40 | 72 | 72.35 | 7 |
| 357008XX | 320 | S | 35 | 70 | 70.20 | 8 | 407808XX | 320 | S | 40 | 78 | 78.80 | 8 |
| 357210XX | 350 | S | 35 | 72 | 72.28 | 10 | 407810XX | 350 | S | 40 | 78 | 78.20 | 10 |
| 358008XX | 320 | S | 35 | 80 | 80.20 | 8 | 408010XX | 350 | S | 40 | 80 | 80.28 | 10 |
| 364707XX | 350 | S | 36 | 47 | 47.20 | 7 | 409008XX | 350 | S | 40 | 90 | 90.20 | 8 |
| 365007XX | 470 | S | 36 | 50 | 50.08 | 7 | 413818 | 410 | S | 50 | 70 | 70.10 | 7 |
| 365207XX | 350 | S | 36 | 52 | 52.20 | 7 | 415507XX | 320 | S | 41 | 55 | 55.29 | 7 |
| 365408XX | 350 | S | 36 | 54 | 54.20 | 8 | 415607XX | 350 | S | 41 | 56 | 56.25 | 7 |
| 365610XX | 350 | S | 36 | 56 | 56.25 | 10 | 417555 | 410 | S | 143 | 168.30 | 168.50 | 13.10 |
| 365808XX | 470 | S | 36 | 58 | 58.25 | 8 | 425507XX | 320 | S | 42 | 55 | 55.20 | 7 |
| 365812XX | 350 | S | 36 | 58 | 58.23 | 12 | 425508XX | 350 | S | 42 | 55 | 55.28 | 8 |
| 366007XX | 320 | S | 36 | 60 | 60.20 | 7 | 425607XX | 320 | S | 42 | 56 | 56.13 | 7 |
| 366207XX | 320 | S | 36 | 62 | 62.28 | 7 | 425807XX | 480 | S | 42 | 58 | 58.10 | 7 |
| 366810XX | 350 | S | 36 | 68 | 68.28 | 10 | 426007XX | 320 | S | 42 | 60 | 60.22 | 7 |
| 375208XX | 350 | S | 37 | 52 | 52.28 | 8 | 426208XX | 350 | S | 42 | 62 | 62.27 | 8 |
| 385007XX | 350 | S | 38 | 50 | 50.25 | 7 | 426510XX | 470 | N | 42 | 65 | 65.15 | 10 |
| 385207XX | 320 | S | 38 | 52 | 52.20 | 7 | 426808XX | 320 | S | 42 | 68 | 68.20 | 8 |
| 385308XX | 320 | S | 38 | 53 | 53.20 | 8 | 426810XX | 320 | S | 42 | 68 | 62.20 | 10 |
| 385407XX | 480 | S | 38 | 54 | 54.18 | 7 | 427010XX | 320 | S | 42 | 70 | 70.20 | 10 |
| 385410XX | 320 | S | 38 | 54 | 54.18 | 10 | 427208XX | 320 | S | 42 | 72 | 72.20 | 8 |
| 385507XX | 350 | N | 38 | 55 | 55.23 | 7 | 427210XX | 320 | S | 42 | 72 | 72.27 | 10 |
| 385610XX | 350 | S | 38 | 56 | 56.28 | 10 | 428008XX | 320 | S | 42 | 80 | 80.20 | 8 |
| 385808XX | 470 | S | 38 | 58 | 58.11 | 8 | 428010XX | 350 | S | 42 | 80 | 80.20 | 10 |
| 386008XX | 320 | S | 38 | 60 | 60.20 | 8 | 435508XX | 320 | S | 43 | 55 | 55.20 | 8 |
| 386010XX | 350 | S | 38 | 60 | 60.35 | 10 | 436508XX | 320 | S | 43 | 65 | 65.20 | 8 |
| 386207XX | 350 | S | 38 | 62 | 62.28 | 7 | 446007XX | 320 | S | 44 | 60 | 60.20 | 7 |
| 386508XX | 320 | S | 38 | 65 | 65.20 | 8 | 446010XX | 350 | S | 44 | 60 | 60.20 | 10 |
| 386808XX | 320 | S | 38 | 68 | 68.20 | 8 | 446208XX↔ | 320 | S | 44 | 62 | 62.26 | 8 |
| 386810XX | 320 | S | 38 | 68 | 68.20 | 10 | 446510XX | 350 | S | 44 | 65 | 65.28 | 10 |
| 387010XX | 350 | S | 38 | 70 | 70.20 | 10 | 447008XX | 320 | S | 44 | 70 | 70.20 | 8 |
| 387210XX | 350 | S | 38 | 72 | 72.20 | 10 | 447210XX | 350 | S | 44 | 72 | 72.11 | 10 |
| 387408XX | 320 | S | 38 | 74 | 74.20 | 8 | 450474 | 450 | S | 50 | 73 | 73.15 | 12 |
| 387411XX | 320 | N | 38 | 74 | 74.20 | 11 | 455807XX | 350 | S | 45 | 58 | 58.28 | 7 |

| Part Number | Style | Matl | Shaft | Bore | O.D. | Width | Part Number | Style | Matl | Shaft | Bore | O.D. | Width |
|-------------|-------|------|-------|-------|-------|-------|-------------|-------|------|-------|------|-------|-------|
| 456007XX | 350 | S | 45 | 60 | 60.20 | 7 | 509010XX | 350 | S | 50 | 90 | 90.28 | 10 |
| 456008XX | 350 | S | 45 | 60 | 60.20 | 8 | 516507XX | 470 | S | 51 | 65 | 65.10 | 7 |
| 456010XX | 350 | S | 45 | 60 | 60.25 | 10 | 526509XX | 350 | S | 52 | 65 | 65.30 | 9 |
| 456208XX | 350 | S | 45 | 62 | 62.30 | 8 | 526808XX | 350 | S | 52 | 68 | 68.28 | 8 |
| 456508XX | 350 | S | 45 | 65 | 65.28 | 8 | 526910XX | 350 | S | 52 | 69 | 69.28 | 10 |
| 456807XX | 320 | S | 45 | 68 | 68.28 | 7 | 527008XX | 320 | S | 52 | 70 | 70.20 | 8 |
| 457010XX | 320 | S | 45 | 70 | 70.18 | 10 | 527208XX | 350 | S | 52 | 72 | 72.20 | 8 |
| 457207XX | 350 | S | 45 | 72 | 72.28 | 7 | 527512XX | 350 | S | 52 | 75 | 75.28 | 12 |
| 457210XX | 350 | S | 45 | 72 | 72.20 | 10 | 528010XX↔ | 320 | S | 52 | 80 | 80.28 | 10 |
| 457212XX | 350 | S | 45 | 72 | 72.28 | 12 | 528208XX | 320 | S | 52 | 82 | 82.20 | 8 |
| 457295XX | 320 | S | 45 | 72 | 72.25 | 10 | 528507XX | 320 | S | 52 | 85 | 85.20 | 8 |
| 457507XX | 320 | S | 45 | 75 | 75.20 | 7 | 546508XX | 320 | S | 54 | 65 | 65.20 | 8 |
| 458010XX | 350 | S | 45 | 80 | 80.28 | 10 | 547210XX | 320 | S | 54 | 72 | 72.25 | 10 |
| 458510XX | 350 | S | 45 | 85 | 85.20 | 10 | 547308XX | 320 | S | 54 | 73 | 73.20 | 8 |
| 458513XX | 450 | S | 45 | 85 | 85.25 | 13 | 548210XX | 320 | S | 54 | 82 | 82.35 | 10 |
| 466507XX | 320 | S | 46 | 65 | 65.20 | 7 | 548510XX | 320 | S | 54 | 85 | 85.28 | 10 |
| 467008XX | 320 | S | 46 | 70 | 70.20 | 8 | 556808XX | 320 | S | 55 | 68 | 68.28 | 8 |
| 473677 | 470 | S | 40 | 55 | 55.27 | 8 | 557008XX | 350 | S | 55 | 70 | 70.27 | 8 |
| 473823 | 470 | S | 35 | 55 | 55.17 | 8 | 557208XX | 350 | S | 55 | 72 | 72.25 | 8 |
| 474133 | 470 | S | 40 | 74 | 74.12 | 10 | 557508XX | 350 | S | 55 | 75 | 75.20 | 8 |
| 474134 | 470 | S | 50 | 2.62 | 66.50 | 13 | 557510XX | 350 | S | 55 | 75 | 75.35 | 10 |
| 474161 | 470 | S | 40 | 2.56 | 65.00 | 9.50 | 557810XX | 350 | S | 55 | 78 | 78.28 | 10 |
| 476208XX | 320 | S | 47 | 62 | 62.20 | 8 | 558008XX | 350 | S | 55 | 80 | 80.28 | 8 |
| 476508XX | 320 | S | 47 | 65 | 65.20 | 8 | 558212XX | 350 | S | 55 | 82 | 82.30 | 12 |
| 476810XX | 320 | S | 47 | 68 | 68.27 | 10 | 558510XX | 350 | S | 55 | 85 | 85.31 | 10 |
| 477010XX | 320 | S | 47 | 70 | 70.20 | 10 | 558808XX↔ | 320 | S | 55 | 88 | 88.20 | 8 |
| 486208XX | 350 | S | 48 | 62 | 62.10 | 8 | 559013XX | 350 | S | 55 | 90 | 90.28 | 13 |
| 486309XX | 470 | S | 48 | 63 | 63.09 | 9 | 566810XX | 480 | N | 56 | 68 | 68.12 | 10 |
| 486510XX | 320 | S | 48 | 65 | 65.30 | 10 | 567008XX | 350 | S | 56 | 70 | 70.20 | 8 |
| 486810XX | 320 | N | 48 | 68 | 68.27 | 10 | 567207XX | 320 | S | 56 | 72 | 72.20 | 7 |
| 487008XX | 350 | S | 48 | 70 | 70.20 | 8 | 567507XX | 320 | S | 56 | 75 | 75.20 | 7 |
| 487009XX | 350 | S | 48 | 70 | 70.28 | 9 | 568008XX | 320 | S | 56 | 80 | 80.28 | 8 |
| 487207XX | 320 | S | 48 | 72 | 72.31 | 7 | 568208XX | 320 | S | 56 | 82 | 82.20 | 8 |
| 487510XX | 320 | S | 48 | 75 | 75.20 | 10 | 568508XX | 350 | S | 56 | 85 | 85.28 | 8 |
| 488008XX | 320 | S | 48 | 80 | 80.20 | 8 | 568808XX | 320 | S | 56 | 88 | 88.20 | 8 |
| 489010XX | 350 | S | 48 | 90 | 90.20 | 10 | 569008XX | 320 | S | 56 | 90 | 90.20 | 8 |
| 494117 | 490 | S | 42 | 56.20 | 56.49 | 6 | 578513XX | 320 | S | 57 | 85 | 85.20 | 13 |
| 494122 | 490 | S | 45 | 62 | 62.15 | 6 | 587208XX | 350 | S | 58 | 72 | 72.28 | 8 |
| 494123 | 490 | S | 51 | 63 | 63.17 | 6 | 587511XX | 350 | S | 58 | 75 | 75.28 | 11 |
| 506207XX | 350 | S | 50 | 62 | 62.28 | 7 | 588008XX | 350 | S | 58 | 80 | 80.28 | 8 |
| 506508XX | 320 | S | 50 | 65 | 65.28 | 8 | 588513XX | 320 | S | 58 | 85 | 85.25 | 13 |
| 506808XX | 350 | S | 50 | 68 | 68.28 | 8 | 588808XX | 320 | S | 58 | 88 | 88.20 | 8 |
| 507008XX | 320 | S | 50 | 70 | 70.20 | 8 | 589010XX | 350 | S | 58 | 90 | 90.28 | 10 |
| 507009XX | 320 | S | 50 | 70 | 70.20 | 9 | 607208XX | 350 | S | 60 | 72 | 72.28 | 8 |
| 507208XX | 350 | S | 50 | 72 | 72.28 | 8 | 607508XX | 350 | S | 60 | 75 | 75.28 | 8 |
| 507507XX | 320 | S | 50 | 75 | 75.20 | 7 | 608008XX | 350 | S | 60 | 80 | 80.20 | 8 |
| 507512XX | 320 | S | 50 | 75 | 75.28 | 12 | 608207XX | 320 | S | 60 | 82 | 82.20 | 7 |
| 508008XX | 350 | S | 50 | 80 | 80.28 | 8 | 608212XX | 350 | S | 60 | 82 | 82.30 | 12 |
| 508508XX | 320 | S | 50 | 85 | 85.20 | 8 | 608508XX | 350 | S | 60 | 85 | 85.28 | 8 |
| 509008XX | 320 | S | 50 | 90 | 90.20 | 8 | 608512XX | 320 | S | 60 | 85 | 85.20 | 12 |

| Part Number | Style | Matl | Shaft | Bore | O.D. | Width | Part Number | Style | Matl | Shaft | Bore | O.D. | Width |
|-------------|-------|------|-------|-------|--------|-------|-------------|-------|------|-------|-------|--------|-------|
| 609008XX | 320 | S | 60 | 90 | 90.25 | 8 | 710110↔ | 400 | N | 34 | 54 | 54.28 | 9 |
| 609010XX | 350 | S | 60 | 90 | 90.27 | 10 | 710111← | # | N | 35 | 50 | 50.29 | 11.50 |
| 609508XX | 320 | S | 60 | 95 | 95.20 | 8 | 710112↔ | # | N | 50 | 80 | 80.30 | 16.50 |
| 628009XX | 320 | S | 62 | 80 | 80.20 | 9 | 710114→ | 980 | N | 41 | 59 | 59.28 | 10 |
| 628010XX | 350 | S | 62 | 80 | 80.28 | 10 | 710115↔ | 980 | S | 44 | 80 | 80.29 | 8.70 |
| 628508XX | 410 | S | 62 | 85 | 85.13 | 8 | 710116 | 320 | N | 14 | 25 | 25.22 | 7 |
| 629010XX | 350 | S | 62 | 90 | 90.28 | 10 | 710117 | 400 | N | 50 | 86 | 86.30 | 13 |
| 638510XX | 320 | S | 63 | 85 | 85.28 | 10 | 710118 | 400 | S | 39 | 59 | 59.28 | 17 |
| 639010XX | 320 | S | 63 | 90 | 90.14 | 10 | 710121 | # | N | 59 | 100 | 100.28 | 10 |
| 648008XX | 320 | S | 64 | 80 | 80.28 | 8 | 710122 | 400 | N | 39 | 57 | 57.28 | 15.50 |
| 658008XX | 320 | S | 65 | 80 | 80.28 | 8 | 710123 | 400 | N | 39 | 57 | 57.28 | 11 |
| 658508XX | 350 | S | 65 | 85 | 85.20 | 8 | 710124 | 400 | N | 33 | 59 | 59.28 | 11 |
| 658510XX | 350 | S | 65 | 85 | 85.27 | 10 | 710125 | # | S | 56 | 74.20 | 74.37 | 6.50 |
| 658808XX | 350 | S | 65 | 88 | 88.20 | 8 | 710126 | # | S | 46 | 2.73 | 69.40 | 11 |
| 658810XX | 320 | S | 65 | 88 | 88.20 | 10 | 710127 | # | S | 55 | 68 | 68.15 | 6.50 |
| 659007XX | 320 | S | 65 | 90 | 90.20 | 7 | 710129 | # | S | 57 | 77 | 77.20 | 8 |
| 659010XX | 350 | S | 65 | 90 | 90.28 | 10 | 710130 | # | S | 64 | 77 | 77.20 | 8 |
| 659013XX | 350 | S | 65 | 90 | 90.20 | 13 | 710131 | # | S | 40 | 62 | 62.20 | 9 |
| 688207XX | 350 | S | 68 | 82 | 82.20 | 7 | 710132 | 400 | N | 33 | 56 | 56.29 | 13 |
| 688508XX | 350 | S | 68 | 85 | 85.20 | 8 | 710133 | # | N | 42 | 90 | 90.27 | 9.50 |
| 689007XX | 320 | S | 68 | 90 | 90.20 | 7 | 710135 | # | S | 50 | 70 | 70.20 | 14 |
| 689010XX | 350 | S | 68 | 90 | 90.32 | 10 | 710139 | # | N | 38 | 58 | 58.27 | 10 |
| 689510XX | 350 | S | 68 | 95 | 95.20 | 10 | 710142 | # | S | 43 | 70 | 70.16 | 9 |
| 708508XX | 350 | S | 70 | 85 | 85.28 | 8 | 710143 | # | S | 47 | 84 | 84.28 | 9.50 |
| 708808XX | 480 | S | 70 | 88 | 88.25 | 8 | 710144← | # | S | 58 | 78 | 78.28 | 10 |
| 708812XX | 320 | S | 70 | 88 | 88.25 | 12 | 710147 | # | S | 40 | 60 | 60.15 | 8 |
| 709007XX | 320 | S | 70 | 90 | 90.20 | 7 | 710148 | 970 | S | 49 | 72.20 | 72.49 | 6 |
| 709010XX | 350 | S | 70 | 90 | 90.32 | 10 | 710149 | # | S | 37 | 52 | 52.15 | 6 |
| 709212XX | 320 | S | 70 | 92 | 92.20 | 12 | 710150 | # | S | 47 | 80 | 80.16 | 12.70 |
| 709510XX | 350 | S | 70 | 95 | 95.28 | 10 | 710151 | 470 | S | 34 | 65 | 65.10 | 12 |
| 709513XX | 350 | S | 70 | 95 | 95.28 | 13 | 710152 | # | S | 36 | 64 | 64.16 | 11 |
| 710051 | 860 | S | 35 | 48 | 48.13 | 13 | 710154 | 320 | S | 19 | 38 | 38.23 | 7 |
| 710056← | 470 | V | 91 | 111 | 111.28 | 10 | 710156 | 320 | S | 18 | 32 | 32.23 | 7 |
| 710057 | 480 | S | 36 | 65 | 65.20 | 8 | 710157→ | 320 | S | 27 | 43 | 43.23 | 7 |
| 710060← | 320 | H | 95 | 118 | 118.29 | 10 | 710159 | # | S | 43 | 58.47 | 58.62 | 7.50 |
| 710064 | # | S | 52 | 68 | 68.15 | 7.50 | 710161 | 2810 | S | 46 | 68.50 | 68.63 | 7.50 |
| 710069 | # | S | 56 | 72 | 72.16 | 10.90 | 710162 | 480 | V | 32 | 50 | 50.14 | 8 |
| 710070 | 470 | S | 33 | 44 | 44.15 | 8 | 710164 | 480 | V | 32 | 50 | 50.14 | 8 |
| 710072 | # | S | 57 | 79 | 79.25 | 13.70 | 710167 | # | S | 48 | 64 | 64.20 | 10 |
| 710073 | # | S | 54 | 75.50 | 75.78 | 18 | 710168 | 470 | S | 59 | 75 | 75.11 | 10 |
| 710074 | # | S | 57 | 79 | 79.25 | 13.70 | 710173 | # | N | 50 | 70 | 70.20 | 10 |
| 710078 | 470 | V | 45 | 62 | 62.15 | 8 | 710175 | 320 | S | 53 | 2.69 | 68.20 | 7 |
| 710092 | 410 | S | 66 | 85 | 85.17 | 8 | 710176 | 870 | S | 56 | 74 | 74.17 | 8.50 |
| 710093 | # | S | 60 | 75 | 75.16 | 5.80 | 710178 | # | S | 35 | 49 | 49.30 | 8 |
| 710094 | 660 | S | 65 | 82 | 82.17 | 7 | 710182 | 660 | S | 60 | 86 | 86.18 | 7 |
| 710097 | # | S | 42 | 56 | 56.29 | 7 | 710187→ | 320 | N | 52 | 70 | 70.28 | 8.50 |
| 710098 | 710 | S | 50 | 64.10 | 64.39 | 6.50 | 710188← | 320 | V | 88 | 106 | 106.27 | 8.50 |
| 710107 | # | S | 52 | 78.40 | 78.49 | 9.80 | 710189← | 470 | V | 89 | 105 | 105.28 | 10 |
| 710108 | 660 | S | 56 | 76 | 76.15 | 4.90 | 710190 | 480 | V | 52 | 68 | 68.15 | 8 |
| 710109↔ | 400 | N | 34 | 63 | 63.27 | 9 | 710192 | 320 | S | 50 | 60 | 60.27 | 6 |

| Part Number | Style | Matl | Shaft | Bore | O.D. | Width | Part Number | Style | Matl | Shaft | Bore | O.D. | Width |
|-------------|-------|------|-------|-------|--------|-------|-------------|-------|------|-------|-------|--------|-------|
| 710193 | 320 | S | 45 | 59 | 59.28 | 8 | 710305 | 320 | S | 49 | 70 | 70.28 | 11 |
| 710194 | 320 | S | 50 | 68 | 68.10 | 6.50 | 710305S | 320 | S | 49 | 70 | 70.28 | 11 |
| 710199↔ | # | N | 35 | 54 | 54.15 | 9 | 710308→ | 320 | S | 40 | 52 | 52.27 | 6 |
| 710201 | 470 | S | 35 | 60 | 60.15 | 12 | 710309 | # | S | 38 | 52 | 52.15 | 6.30 |
| 710208 | # | S | 43 | 92 | 92.28 | 12.50 | 710310→ | 320 | N | 32 | 47 | 47.22 | 6 |
| 710213 | 2810 | S | 62 | 78 | 78.16 | 9.50 | 710311 | 250 | S | 40 | 54 | 54.15 | 6 |
| 710215 | 660 | S | 47 | 66 | 66.10 | 6 | 710312 | 320 | S | 52 | 68 | 68.20 | 13 |
| 710217 | # | S | 35 | 54 | 54.15 | 8 | 710313→ | 320 | S | 48 | 70 | 70.28 | 12 |
| 710218 | # | V | 35 | 56 | 56.29 | 10 | 710314← | 400 | N | 35 | 56 | 56.29 | 8 |
| 710220→ | 320 | N | 41 | 62 | 62.23 | 9 | 710315→ | 400 | S | 35 | 56 | 56.29 | 8 |
| 710226 | 320 | S | 50 | 2.57 | 67.00 | 5.50 | 710316→ | 320 | S | 25 | 40 | 40.23 | 8 |
| 710228 | 400 | S | 37 | 62 | 62.23 | 10 | 710317← | 320 | S | 32 | 48 | 48.24 | 10 |
| 710230 | # | S | 58 | 76 | 76.23 | 7.80 | 710320 | 480 | S | 48 | 62 | 62.10 | 9 |
| 710232 | 320 | V | 86 | 104 | 104.37 | 11 | 710322 | 340 | S | 48 | 62 | 62.28 | 6 |
| 710234← | 320 | N | 68 | 84 | 84.28 | 8.50 | 710323 | 490 | S | 51 | 63 | 63.17 | 6 |
| 710235← | 320 | V | 86 | 103 | 103.28 | 10 | 710324← | 320 | S | 35 | 50 | 50.24 | 11 |
| 710236→ | 320 | N | 33 | 49 | 49.23 | 8 | 710325→ | 320 | S | 28 | 40 | 40.23 | 8 |
| 710237← | 320 | V | 90 | 104 | 104.27 | 11 | 710326 | 660 | S | 40 | 64 | 64.16 | 12 |
| 710238→ | 320 | S | 46 | 70 | 70.10 | 8 | 710327→ | 320 | S | 32 | 48 | 48.24 | 7 |
| 710239 | 400 | N | 54 | 69 | 69.23 | 7.50 | 710328 | 350 | S | 33 | 50 | 50.24 | 7 |
| 710240 | # | S | 75 | 83 | 87.00 | 4 | 710329← | 320 | H | 35 | 50 | 50.29 | 8 |
| 710242→ | 320 | N | 52 | 72 | 72.29 | 8 | 710331← | 320 | V | 35 | 54 | 54.20 | 8 |
| 710245→ | # | N | 42 | 76 | 76.15 | 12 | 710332← | 320 | N | 31 | 46 | 46.23 | 8 |
| 710246 | # | N | 42 | 90 | 90.27 | 11.90 | 710334← | 320 | N | 68 | 86 | 86.28 | 8 |
| 710248→ | 660 | N | 45 | 78 | 78.16 | 11 | 710335 | 320 | S | 35 | 65 | 65.28 | 12 |
| 710249 | 970 | S | 20 | 26 | 26.24 | 4 | 710336← | 400 | N | 35 | 68 | 68.20 | 9 |
| 710251 | 470 | N | 17 | 34 | 34.14 | 7.90 | 710337 | 340 | S | 47 | 72.20 | 72.49 | 6 |
| 710252 | 320 | S | 36 | 44 | 44.22 | 5 | 710338 | 660 | S | 39 | 52 | 52.15 | 6.30 |
| 710253 | # | S | 52 | 62 | 62.28 | 5.50 | 710339 | 250 | S | 70 | 112 | 112.17 | 14 |
| 710254 | 340 | S | 23 | 31.80 | 32.03 | 5.50 | 710341← | 320 | S | 36 | 50 | 50.29 | 8 |
| 710255 | # | S | 48 | 70 | 70.20 | 9 | 710342→ | 320 | S | 20 | 47 | 47.22 | 8.50 |
| 710258← | 320 | V | 115 | 135 | 135.36 | 10 | 710343 | 330 | S | 36 | 46 | 46.15 | 9 |
| 710259↔ | 320 | V | 37 | 56 | 56.29 | 9 | 710344 | 320 | S | 17 | 30 | 30.23 | 7 |
| 710260← | 320 | S | 45 | 61 | 61.29 | 8 | 710345 | 320 | S | 45 | 68 | 68.20 | 12 |
| 710264→ | 320 | Y | 43 | 55 | 55.27 | 6 | 710346 | 490 | S | 15 | 20 | 20.10 | 5 |
| 710266 | # | S | 93 | 154 | 154.20 | 8 | 710347← | 320 | S | 28 | 38 | 38.23 | 10 |
| 710271← | 320 | S | 58 | 74 | 74.27 | 10 | 710348 | 320 | S | 13 | 22 | 22.20 | 6 |
| 710273 | 350 | S | 19 | 35 | 35.23 | 10 | 710351← | 320 | H | 100 | 135 | 135.36 | 10 |
| 710276 | 400 | N | 60 | 103 | 103.18 | 12 | 710352 | 470 | V | 95 | 113 | 113.10 | 10 |
| 710282 | 320 | S | 32 | 42 | 42.20 | 8 | 710353→ | 660 | S | 37 | 58 | 58.10 | 10 |
| 710284 | # | N | 40 | 73 | 73.10 | 12.50 | 710354→ | 320 | N | 50 | 65 | 65.28 | 8 |
| 710286 | 320 | N | 42 | 67 | 67.20 | 10 | 710355→ | 320 | N | 37 | 50.50 | 50.70 | 6 |
| 710288← | 320 | S | 93 | 114 | 114.30 | 13 | 710356→ | 470 | S | 48 | 60 | 60.15 | 9 |
| 710289→ | 320 | S | 45 | 67 | 67.16 | 8 | 710357 | 470 | S | 50 | 67 | 67.20 | 9 |
| 710291← | 400 | N | 41 | 63 | 63.20 | 9 | 710359 | # | S | 30 | 45 | 45.20 | 8 |
| 710292 | # | S | 52 | 68 | 68.15 | 6.50 | 710360 | 350 | S | 35 | 72 | 72.29 | 10 |
| 710297 | 340 | S | 18 | 23 | 23.24 | 4 | 710362 | 490 | S | 17 | 25 | 25.15 | 5 |
| 710298→ | 400 | N | 42 | 63 | 63.27 | 9 | 710364↔ | # | N | 45 | 98 | 98.17 | 10.50 |
| 710299 | 660 | N | 17.50 | 27.50 | 27.74 | 7 | 710366← | 320 | H | 106 | 126 | 126.37 | 12 |
| 710300 | # | S | 40 | 55.50 | 55.65 | 9 | 710367→ | 400 | S | 65 | 88 | 88.20 | 12 |

| Part Number | Style | Matl | Shaft | Bore | O.D. | Width | Part Number | Style | Matl | Shaft | Bore | O.D. | Width |
|-------------|-------|------|-------|------|--------|-------|--------------|-------|------|-------|------|--------|-------|
| 710368 | 470 | S | 138 | 152 | 152.20 | 12 | 717004 | 480 | S | 120 | 140 | 140.21 | 12 |
| 710369 | 470 | S | 145 | 164 | 264.10 | 14 | 717005← | 320 | S | 95 | 110 | 110.29 | 11 |
| 710370 | 320 | S | 32 | 43 | 43.23 | 7 | 729010XX | 350 | S | 72 | 90 | 90.20 | 10 |
| 710371 | 250 | S | 101 | 114 | 114.10 | 10 | 729510XX | 350 | S | 72 | 95 | 95.28 | 10 |
| 710372 | # | S | 115 | 156 | 156.10 | 15.50 | 759008XX | 320 | S | 75 | 90 | 90.20 | 8 |
| 710373 | 470 | S | 65 | 85 | 85.17 | 10 | 759010XX | 320 | S | 75 | 90 | 90.25 | 10 |
| 710374 | # | S | 49 | 100 | 100.20 | 8 | 759510XX | 350 | S | 75 | 95 | 95.28 | 10 |
| 710375 | # | S | 76 | 102 | 102.20 | 9.50 | 10X012010XX | 350 | S | 100 | 120 | 120.30 | 10 |
| 710379 | 470 | S | 60 | 72 | 72.16 | 7.50 | 10X012012XX | 350 | S | 100 | 120 | 120.28 | 12 |
| 710380 | 470 | S | 130 | 150 | 150.22 | 10 | 10X012512XX | 350 | S | 100 | 125 | 125.28 | 12 |
| 710381 | # | S | 124 | 170 | - | 14.50 | 10X013012XX | 350 | S | 100 | 130 | 130.28 | 12 |
| 710382 | # | S | 56 | 66 | 66.20 | 17 | 10X213013XX | 350 | S | 102 | 130 | 130.28 | 13 |
| 710383 | 470 | S | 35 | 44 | 44.15 | 7 | 10X512513XX | 320 | S | 105 | 125 | 125.28 | 13 |
| 710384 | 250 | S | 75 | 100 | 100.18 | 13 | 10X513012XX | 350 | S | 105 | 130 | 130.28 | 12 |
| 710390→ | 320 | N | 60 | 82 | 82.20 | 12 | 10X514012XX | 350 | S | 105 | 140 | 140.28 | 12 |
| 710396↔ | 400 | S | 35 | 56 | 56.20 | 9 | 11X013012XX | 350 | S | 110 | 130 | 130.28 | 12 |
| 710398 | # | S | 50 | 72 | 72.20 | 10 | 11X013513XX | 320 | S | 110 | 135 | 135.30 | 13 |
| 710400 | 470 | S | 58 | 75 | 75.16 | 9 | 11X014012XX | 320 | S | 110 | 140 | 140.28 | 12 |
| 710403 | # | S | 42 | 62 | 62.10 | 12 | 11X014013XX | 450 | S | 110 | 140 | 140.23 | 13 |
| 710406 | 470 | S | 140 | 170 | 170.21 | 14 | 11X014513XX | 350 | S | 110 | 145 | 145.30 | 13 |
| 710407 | 330 | S | 51 | 62 | 62.13 | 7 | 11X015015XX | 350 | S | 110 | 150 | 150.28 | 15 |
| 710408 | 320 | N | 42 | 62 | 62.28 | 7 | 11X2140013XX | 350 | S | 112 | 140 | 140.32 | 13 |
| 710410 | 470 | S | 100 | 114 | 114.20 | 12 | 11X414013XX | 350 | S | 114 | 140 | 140.28 | 13 |
| 710412 | 320 | S | 18 | 34 | 34.24 | 7 | 11X514012XX | 350 | S | 115 | 140 | 140.28 | 12 |
| 710415→ | 320 | S | 32 | 50 | 50.24 | 8 | 11X514513XX | 350 | S | 115 | 145 | 145.30 | 13 |
| 710416 | 350 | S | 34 | 48 | 48.24 | 7.50 | 11X514514XX | 320 | S | 115 | 145 | 145.20 | 14 |
| 710418 | 320 | N | 34 | 53 | 53.29 | 8 | 11X515012XX | 350 | S | 115 | 150 | 150.28 | 12 |
| 710420→ | 320 | S | 50 | 68 | 68.28 | 9 | 12X014013XX | 350 | S | 120 | 140 | 140.28 | 13 |
| 710422 | 350 | S | 34 | 62 | 62.28 | 10 | 12X014512XX | 350 | S | 120 | 145 | 145.28 | 12 |
| 710424 | 350 | S | 35 | 60 | 60.27 | 8 | 12X015012XX | 350 | S | 120 | 150 | 150.28 | 12 |
| 710440 | 470 | S | 68 | 90 | 90.17 | 12 | 12X016012XX | 350 | S | 120 | 160 | 160.28 | 12 |
| 710442→ | 480 | N | 42 | 59 | 59.16 | 7.70 | 12X25045XX | 320 | S | 12 | 25 | 25.20 | 4.50 |
| 710444← | 320 | S | 40 | 54 | 54.28 | 6 | 12X515012XX | 320 | S | 125 | 150 | 150.28 | 12 |
| 710445 | 350 | S | 19 | 35 | 35.23 | 8 | 12X515512XX | 320 | S | 125 | 155 | 155.20 | 12 |
| 710446→ | 350 | S | 68 | 88 | 88.29 | 8 | 12X516012XX | 350 | S | 125 | 160 | 160.28 | 12 |
| 712001→ | 320 | N | 30 | 46 | 46.23 | 8 | 12X517015XX | 320 | S | 125 | 170 | 170.20 | 15 |
| 712005→ | 320 | H | 65 | 84 | 84.28 | 9 | 12X815015XX | 350 | S | 128 | 150 | 150.28 | 15 |
| 712006← | 320 | H | 60 | 82 | 82.27 | 12 | 13X015010XX | 470 | S | 130 | 150 | 150.10 | 10 |
| 712007 | 480 | V | 25 | 35 | 35.25 | 7 | 13X016012XX | 350 | S | 130 | 160 | 160.28 | 12 |
| 712008← | 320 | H | 28 | 42 | 42.24 | 8 | 13X016015XX | 320 | S | 130 | 160 | 160.20 | 15 |
| 712010→ | 320 | H | 48 | 70 | 70.28 | 9 | 13X017012XX | 350 | S | 130 | 170 | 170.30 | 12 |
| 712011 | 320 | S | 40 | 75 | 75.20 | 12 | 13X017015XX | 350 | S | 130 | 170 | 170.28 | 15 |
| 712020← | 320 | N | 40 | 75 | 75.29 | 12 | 13X516013XX | 350 | S | 135 | 160 | 160.38 | 13 |
| 712551 | 320 | S | 40 | 56 | 56.29 | 8 | 13X517012XX | 350 | S | 135 | 170 | 170.38 | 12 |
| 713655 | 320 | N | 35 | 52 | 52.35 | 8 | 13X815212XX | 470 | S | 138 | 152 | 152.10 | 12 |
| 713771→ | 350 | V | 35 | 50 | 50.34 | 8 | 14X016012XX | 320 | S | 140 | 160 | 160.20 | 12 |
| 714436 | 320 | S | 35 | 48 | 48.24 | 8 | 14X016013XX | 350 | S | 140 | 160 | 160.27 | 13 |
| 714619 | 350 | S | 30 | 48 | 48.24 | 8 | 14X017012XX | 320 | S | 140 | 170 | 170.30 | 12 |
| 716102← | 320 | H | 85 | 105 | 105.28 | 10 | 14X017015XX | 350 | S | 140 | 170 | 170.43 | 15 |
| 716445 | 350 | V | 75 | 95 | 95.28 | 10 | 14X018012XX | 350 | S | 140 | 180 | 180.30 | 12 |

| Part Number | Style | Matl | Shaft | Bore | O.D. | Width | Part Number | Style | Matl | Shaft | Bore | O.D. | Width |
|-------------|-------|------|-------|------|--------|-------|-------------|-------|------|-------|------|--------|-------|
| 14X018018XX | 320 | S | 140 | 180 | 180.38 | 18 | 75X10010XX | 320 | S | 75 | 100 | 100.20 | 10 |
| 14X416012XX | 350 | S | 144 | 160 | 160.25 | 12 | 75X10012XX | 320 | S | 75 | 100 | 100.27 | 12 |
| 14X516414XX | 470 | S | 145 | 164 | 164.10 | 14 | 75X10513XX | 320 | S | 75 | 105 | 105.27 | 13 |
| 14X517012XX | 350 | S | 145 | 170 | 170.45 | 12 | 75X11012XX | 320 | S | 75 | 110 | 110.20 | 12 |
| 14X517515XX | 350 | S | 145 | 175 | 175.38 | 15 | 75X11512XX | 350 | S | 75 | 115 | 115.30 | 12 |
| 14X518012XX | 350 | S | 145 | 180 | 180.28 | 12 | 75X12010XX | 320 | S | 75 | 120 | 120.20 | 10 |
| 14X518012XX | 350 | S | 145 | 180 | 180.28 | 12 | 78X10010XX | 350 | S | 78 | 100 | 100.27 | 10 |
| 14X817015XX | 350 | S | 148 | 170 | 170.28 | 15 | 78X10510XX | 320 | S | 78 | 105 | 105.20 | 10 |
| 14X817015XX | 350 | S | 148 | 170 | 170.28 | 15 | 78X11510XX | 320 | S | 78 | 115 | 115.20 | 10 |
| 15X018012XX | 350 | S | 150 | 180 | 180.35 | 12 | 80X10010XX | 350 | S | 80 | 100 | 100.20 | 10 |
| 15X018015XX | 350 | S | 150 | 180 | 180.35 | 15 | 80X10510XX | 320 | S | 80 | 105 | 105.20 | 10 |
| 15X518015XX | 320 | S | 155 | 180 | 180.23 | 15 | 80X10513XX | 480 | S | 80 | 105 | 105.27 | 13 |
| 16X018510XX | 350 | S | 160 | 185 | 185.35 | 10 | 80X11010XX | 320 | S | 80 | 110 | 110.28 | 10 |
| 16X019015XX | 350 | S | 160 | 190 | 190.35 | 15 | 80X11012XX | 350 | S | 80 | 110 | 110.28 | 12 |
| 16X020012XX | 320 | S | 160 | 200 | 200.20 | 12 | 80X12010XX | 320 | S | 80 | 120 | 120.20 | 10 |
| 16X020015XX | 320 | S | 160 | 200 | 200.20 | 15 | 80X12013XX | 320 | S | 80 | 120 | 120.28 | 13 |
| 17X020015XX | 350 | S | 170 | 200 | 200.35 | 15 | 82X10513XX | 250 | S | 82 | 105 | 105.25 | 13 |
| 17X021015XX | 320 | S | 170 | 210 | 210.20 | 15 | 85X10510XX | 320 | S | 85 | 105 | 105.28 | 10 |
| 17X520015XX | 320 | S | 175 | 200 | 200.35 | 15 | 85X10513XX | 320 | S | 85 | 105 | 105.28 | 13 |
| 18X021015XX | 350 | S | 180 | 210 | 210.35 | 15 | 85X11010XX | 350 | S | 85 | 110 | 110.20 | 10 |
| 18X512013XX | 350 | S | 185 | 210 | 210.35 | 13 | 85X11012XX | 350 | S | 85 | 110 | 110.28 | 12 |
| 19X022016XX | 350 | S | 190 | 220 | 220.35 | 16 | 85X11513XX | 350 | S | 85 | 115 | 115.00 | 13 |
| 19X023016XX | 320 | S | 190 | 230 | 230.20 | 16 | 85X12012XX | 320 | S | 85 | 120 | 120.28 | 12 |
| 20X023015XX | 450 | S | 200 | 230 | 230.35 | 15 | 85X12512XX | 320 | S | 85 | 125 | 125.20 | 12 |
| 21X024015XX | 350 | S | 210 | 240 | 240.35 | 15 | 85X13013XX | 480 | S | 85 | 130 | 130.15 | 12.70 |
| 21X025015XX | 320 | S | 210 | 250 | 250.20 | 15 | 88X11012XX | 350 | S | 88 | 110 | 110.28 | 12 |
| 22X025015XX | 350 | S | 220 | 250 | 250.35 | 15 | 90X11012XX | 350 | S | 90 | 110 | 110.20 | 12 |
| 23X026015XX | 350 | S | 230 | 260 | 260.35 | 15 | 90X11512XX | 320 | S | 90 | 115 | 115.20 | 12 |
| 24X027015XX | 350 | S | 240 | 270 | 270.35 | 15 | 90X12012XX | 320 | S | 90 | 120 | 120.28 | 12 |
| 24X028016XX | 320 | S | 240 | 280 | 280.20 | 16 | 90X12507XX | 320 | S | 90 | 125 | 125.70 | 7 |
| 28X032020XX | 320 | S | 280 | 320 | 320.45 | 20 | 90X12513XX | 320 | S | 90 | 125 | 125.30 | 13 |
| 30X034020XX | 320 | S | 300 | 340 | 340.45 | 20 | 90X14514XX | 320 | S | 90 | 145 | 145.20 | 14 |
| 38X52085XX | 320 | S | 38 | 52 | 52.25 | 8.50 | 92X12013XX | 350 | S | 92 | 120 | 120.24 | 13 |
| 55X10013X | 450 | S | 55 | 100 | 100.30 | 12.70 | 95X11010XX | 320 | S | 95 | 110 | 110.20 | 10 |
| 55X1007X | 320 | S | 55 | 75 | 75.20 | 7 | 95X11512XX | 350 | S | 95 | 115 | 115.28 | 12 |
| 56X72115XX | 350 | S | 56 | 72 | 72.40 | 11.50 | 95X12012XX | 350 | S | 95 | 120 | 120.28 | 12 |
| 60X10010XX↔ | 320 | N | 60 | 100 | 100.20 | 10 | 95X12512XX | 350 | S | 95 | 125 | 125.28 | 12 |
| 60X11008XX | 320 | S | 60 | 110 | 110.20 | 8 | 95X13012XX | 350 | S | 95 | 130 | 130.28 | 12 |
| 62X10007XX | 320 | S | 62 | 100 | 100.30 | 7 | 98X12013XX | 350 | S | 98 | 120 | 120.20 | 13 |
| 65X10007XX | 320 | S | 65 | 100 | 100.30 | 7 | | | | | | | |
| 65X10010XX | 350 | S | 65 | 100 | 100.28 | 10 | | | | | | | |
| 68X10010XX | 350 | S | 68 | 100 | 100.20 | 10 | | | | | | | |
| 68X10013XX | 350 | S | 68 | 100 | 100.28 | 13 | | | | | | | |
| 70X10010XX | 320 | S | 70 | 100 | 100.20 | 10 | | | | | | | |
| 70X10013XX | 350 | S | 70 | 100 | 100.28 | 13 | | | | | | | |
| 70X10507XX | 320 | S | 70 | 105 | 105.30 | 7 | | | | | | | |
| 70X10513XX | 350 | S | 70 | 105 | 105.20 | 13 | | | | | | | |
| 70X11010XX | 350 | S | 70 | 110 | 110.20 | 10 | | | | | | | |
| 72X10010XX | 350 | S | 72 | 100 | 100.20 | 10 | | | | | | | |
| 72X10012XX↔ | 320 | S | 72 | 100 | 100.31 | 12 | | | | | | | |

| Part Number | Width | I.D. | O.D. | Part Number | Width | I.D. | O.D. |
|-------------|-------|-------|---------|-------------|---------|-------|------|
| 001R | 1/32 | 0.031 | 1/32 | 0.031 | 3/32 | 0.094 | |
| 002R | 3/64 | 0.047 | 3/64 | 0.047 | 9/64 | 0.141 | |
| 003R | 1/16 | 0.063 | 1/16 | 0.063 | 3/16 | 0.188 | |
| 004R | 1/16 | 0.063 | 5/64 | 0.078 | 13/16 | 0.813 | |
| 005R | 1/16 | 0.063 | 3/32 | 0.094 | 7/32 | 0.219 | |
| 006R | 1/16 | 0.063 | 1/8 | 0.125 | 1/4 | 0.250 | |
| 007R | 1/16 | 0.063 | 5/32 | 0.156 | 9/32 | 0.281 | |
| 008R | 1/16 | 0.063 | 3/16 | 0.188 | 5/16 | 0.313 | |
| 009R | 1/16 | 0.063 | 7/32 | 0.219 | 11/32 | 0.344 | |
| 010R | 1/16 | 0.063 | 1/4 | 0.250 | 3/8 | 0.375 | |
| 011R | 1/16 | 0.063 | 5/16 | 0.313 | 7/16 | 0.438 | |
| 012R | 1/16 | 0.063 | 3/8 | 0.375 | 1/2 | 0.500 | |
| 013R | 1/16 | 0.063 | 7/16 | 0.438 | 9/16 | 0.563 | |
| 014R | 1/16 | 0.063 | 1/2 | 0.500 | 5/8 | 0.625 | |
| 015R | 1/16 | 0.063 | 9/16 | 0.563 | 11/16 | 0.688 | |
| 016R | 1/16 | 0.063 | 5/8 | 0.625 | 3/4 | 0.750 | |
| 017R | 1/16 | 0.063 | 11/16 | 0.688 | 13/16 | 0.813 | |
| 018R | 1/16 | 0.063 | 3/4 | 0.750 | 7/8 | 0.875 | |
| 019R | 1/16 | 0.063 | 13/16 | 0.813 | 15/16 | 0.938 | |
| 020R | 1/16 | 0.063 | 7/8 | 0.875 | 1 | 1.000 | |
| 021R | 1/16 | 0.063 | 15/16 | 0.938 | 1-1/16 | 1.063 | |
| 022R | 1/16 | 0.063 | 1 | 1.000 | 1-1/8 | 1.125 | |
| 023R | 1/16 | 0.063 | 1-1/16 | 1.063 | 1-3/16 | 1.188 | |
| 024R | 1/16 | 0.063 | 1-1/8 | 1.125 | 1-1/4 | 1.250 | |
| 025R | 1/16 | 0.063 | 1-3/16 | 1.188 | 1-5/16 | 1.313 | |
| 026R | 1/16 | 0.063 | 1-1/4 | 1.250 | 1-3/8 | 1.375 | |
| 027R | 1/16 | 0.063 | 1-5/16 | 1.313 | 1-7/16 | 1.438 | |
| 028R | 1/16 | 0.063 | 1-3/8 | 1.375 | 1-1/2 | 1.500 | |
| 029R | 1/16 | 0.063 | 1-1/2 | 1.500 | 1-5/8 | 1.625 | |
| 030R | 1/16 | 0.063 | 1-5/8 | 1.625 | 1-3/4 | 1.750 | |
| 031R | 1/16 | 0.063 | 1-3/4 | 1.750 | 1-7/8 | 1.875 | |
| 032R | 1/16 | 0.063 | 1-7/8 | 1.875 | 2 | 2.000 | |
| 033R | 1/16 | 0.063 | 2 | 2.000 | 2-1/8 | 2.125 | |
| 034R | 1/16 | 0.063 | 2-1/8 | 2.125 | 2-1/4 | 2.250 | |
| 035R | 1/16 | 0.063 | 2-1/4 | 2.250 | 2-3/8 | 2.375 | |
| 036R | 1/16 | 0.063 | 2-3/8 | 2.375 | 2-1/2 | 2.500 | |
| 037R | 1/16 | 0.063 | 2-1/2 | 2.500 | 2-5/8 | 2.625 | |
| 038R | 1/16 | 0.063 | 2-5/8 | 2.625 | 2-3/4 | 2.750 | |
| 039R | 1/16 | 0.063 | 2-3/4 | 2.750 | 2-7/8 | 2.875 | |
| 040R | 1/16 | 0.063 | 2-7/8 | 2.875 | 3 | 3.000 | |
| 041R | 1/16 | 0.063 | 3 | 3.000 | 3-1/8 | 3.125 | |
| 042R | 1/16 | 0.063 | 3-1/4 | 3.250 | 3-3/8 | 3.375 | |
| 043R | 1/16 | 0.063 | 3-1/2 | 3.500 | 3-5/8 | 3.625 | |
| 044R | 1/16 | 0.063 | 3-3/4 | 3.750 | 3-7/8 | 3.875 | |
| 045R | 1/16 | 0.063 | 4 | 4.000 | 4-1/8 | 4.125 | |
| 110R | 3/32 | 0.094 | 3/8 | 0.375 | 9/16 | 0.563 | |
| 111R | 3/32 | 0.094 | 7/16 | 0.438 | 5/8 | 0.625 | |
| 112R | 3/32 | 0.094 | 1/2 | 0.500 | 11/16 | 0.688 | |
| 113R | 3/32 | 0.094 | 9/16 | 0.563 | 3/4 | 0.750 | |
| 114R | 3/32 | 0.094 | 5/8 | 0.625 | 13/16 | 0.813 | |
| 115R | 3/32 | 0.094 | 11/16 | 0.688 | 7/8 | 0.875 | |
| 116R | 3/32 | 0.094 | 3/4 | 0.750 | 15/16 | 0.938 | |
| 117R | 3/32 | 0.094 | 13/16 | 0.813 | 1 | 1.000 | |
| 118R | 3/32 | 0.094 | 7/8 | 0.875 | 1-1/16 | 1.063 | |
| 119R | 3/32 | 0.094 | 15/16 | 0.938 | 1-1/8 | 1.125 | |
| 120R | 3/32 | 0.094 | 1 | 1.000 | 1-3/16 | 1.188 | |
| 121R | 3/32 | 0.094 | 1-1/16 | 1.063 | 1-1/4 | 1.250 | |
| 122R | 3/32 | 0.094 | 1-1/8 | 1.125 | 1-5/16 | 1.313 | |
| 123R | 3/32 | 0.094 | 1-3/16 | 1.188 | 1-3/16 | 1.188 | |
| 124R | 3/32 | 0.094 | 1-1/4 | 1.250 | 1-7/16 | 1.438 | |
| 125R | 3/32 | 0.094 | 1-5/16 | 1.313 | 1-1/2 | 1.500 | |
| 126R | 3/32 | 0.094 | 1-3/8 | 1.375 | 1-9/16 | 1.563 | |
| 127R | 3/32 | 0.094 | 1-7/16 | 1.438 | 1-5/8 | 1.625 | |
| 128R | 3/32 | 0.094 | 1-1/2 | 1.500 | 1-11/16 | 1.688 | |
| 129R | 3/32 | 0.094 | 1-9/16 | 1.563 | 1-3/4 | 1.750 | |
| 130R | 3/32 | 0.094 | 1-5/8 | 1.625 | 1-13/16 | 1.813 | |
| 131R | 3/32 | 0.094 | 1-11/16 | 1.688 | 1-7/8 | 1.875 | |
| 132R | 3/32 | 0.094 | 1-3/4 | 1.750 | 1-15/16 | 1.938 | |
| 133R | 3/32 | 0.094 | 1-13/16 | 1.813 | 2 | 2.000 | |
| 134R | 3/32 | 0.094 | 1-7/8 | 1.875 | 2-1/16 | 2.063 | |
| 135R | 3/32 | 0.094 | 1-15/16 | 1.938 | 2-1/8 | 2.125 | |
| 136R | 3/32 | 0.094 | 2 | 2.000 | 2-3/16 | 2.188 | |
| 137R | 3/32 | 0.094 | 2-1/16 | 2.063 | 2-1/4 | 2.250 | |
| 138R | 3/32 | 0.094 | 2-1/8 | 2.125 | 2-5/16 | 2.313 | |
| 139R | 3/32 | 0.094 | 2-3/16 | 2.188 | 2-3/8 | 2.375 | |
| 140R | 3/32 | 0.094 | 2-1/4 | 2.250 | 2-7/16 | 2.438 | |
| 141R | 3/32 | 0.094 | 2-5/16 | 2.313 | 2-1/2 | 2.500 | |
| 142R | 3/32 | 0.094 | 2-3/8 | 2.375 | 2-9/16 | 2.563 | |
| 143R | 3/32 | 0.094 | 2-7/16 | 2.438 | 2-5/8 | 2.625 | |
| 144R | 3/32 | 0.094 | 2-1/2 | 2.500 | 2-11/16 | 2.688 | |
| 145R | 3/32 | 0.094 | 2-9/16 | 2.563 | 2-3/4 | 2.750 | |
| 146R | 3/32 | 0.094 | 2-5/8 | 2.625 | 2-13/16 | 2.813 | |
| 147R | 3/32 | 0.094 | 2-11/16 | 2.688 | 2-7/8 | 2.875 | |
| 148R | 3/32 | 0.094 | 2-3/4 | 2.750 | 2-5/16 | 2.313 | |
| 149R | 3/32 | 0.094 | 2-13/16 | 2.813 | 3 | 3.000 | |
| 150R | 3/32 | 0.094 | 2-7/8 | 2.875 | 3-1/16 | 3.063 | |
| 151R | 3/32 | 0.094 | 3 | 3.000 | 3-3/16 | 3.188 | |
| 152R | 3/32 | 0.094 | 3-1/4 | 3.250 | 3-7/16 | 3.438 | |
| 153R | 3/32 | 0.094 | 3-1/2 | 3.500 | 3-11/16 | 3.688 | |
| 154R | 3/32 | 0.094 | 3-3/4 | 3.750 | 3-15/16 | 3.938 | |
| 155R | 3/32 | 0.094 | 4 | 4.000 | 4-3/16 | 4.188 | |
| 210R | 1/8 | 0.125 | 3/4 | 0.750 | 1 | 1.000 | |
| 211R | 1/8 | 0.125 | 13/16 | 0.813 | 1-1/16 | 1.063 | |
| 212R | 1/8 | 0.125 | 7/8 | 0.875 | 1-1/8 | 1.125 | |
| 213R | 1/8 | 0.125 | 15/16 | 0.938 | 1-3/16 | 1.188 | |
| 214R | 1/8 | 0.125 | 1 | 1.000 | 1-1/4 | 1.250 | |
| 215R | 1/8 | 0.125 | 1-1/16 | 1.063 | 1-5/16 | 1.313 | |
| 216R | 1/8 | 0.125 | 1-1/8 | 1.125 | 1-3/8 | 1.375 | |
| 217R | 1/8 | 0.125 | 1-3/16 | 1.188 | 1-7/16 | 1.438 | |
| 218R | 1/8 | 0.125 | 1-1/4 | 1.250 | 1-1/2 | 1.500 | |

| Part Number | Width | I.D. | O.D. | Part Number | Width | I.D. | O.D. |
|-------------|-------|-------|--------|-------------|---------|--------|------|
| 219R | 1/8 | 0.125 | 1-5/16 | 1.313 | 1-9/16 | 1.563 | |
| 220R | 1/8 | 0.125 | 1-3/8 | 1.375 | 1-5/8 | 1.625 | |
| 221R | 1/8 | 0.125 | 1-7/16 | 1.438 | 1-11/16 | 1.688 | |
| 222R | 1/8 | 0.125 | 1-1/2 | 1.500 | 1-3/4 | 1.750 | |
| 223R | 1/8 | 0.125 | 1-5/8 | 1.625 | 1-7/8 | 1.875 | |
| 224R | 1/8 | 0.125 | 1-3/4 | 1.750 | 2 | 2.000 | |
| 225R | 1/8 | 0.125 | 7/8 | 0.875 | 2-1/8 | 2.125 | |
| 226R | 1/8 | 0.125 | 2 | 2.000 | 2-1/4 | 2.250 | |
| 227R | 1/8 | 0.125 | 2-1/8 | 2.125 | 2-3/8 | 2.375 | |
| 228R | 1/8 | 0.125 | 2-1/4 | 2.250 | 2-1/2 | 2.500 | |
| 229R | 1/8 | 0.125 | 2-3/8 | 2.375 | 2-5/8 | 2.625 | |
| 230R | 1/8 | 0.125 | 2-1/2 | 2.500 | 2-3/4 | 2.750 | |
| 231R | 1/8 | 0.125 | 2-5/8 | 2.625 | 2-7/8 | 2.875 | |
| 232R | 1/8 | 0.125 | 2-3/4 | 2.750 | 3 | 3.000 | |
| 233R | 1/8 | 0.125 | 2-7/8 | 2.875 | 3-1/8 | 3.125 | |
| 234R | 1/8 | 0.125 | 3 | 3.000 | 3-1/4 | 3.250 | |
| 235R | 1/8 | 0.125 | 3-1/8 | 3.125 | 3-3/8 | 3.375 | |
| 236R | 1/8 | 0.125 | 3-1/4 | 3.250 | 3-1/2 | 3.500 | |
| 237R | 1/8 | 0.125 | 3-3/8 | 3.375 | 3-5/8 | 3.625 | |
| 238R | 1/8 | 0.125 | 3-1/2 | 3.500 | 3-3/4 | 3.750 | |
| 239R | 1/8 | 0.125 | 3-5/8 | 3.625 | 3-7/8 | 3.875 | |
| 240R | 1/8 | 0.125 | 3-3/4 | 3.750 | 4 | 4.000 | |
| 241R | 1/8 | 0.125 | 3-7/8 | 3.875 | 4-1/8 | 4.125 | |
| 242R | 1/8 | 0.125 | 4 | 4.000 | 4-1/4 | 4.250 | |
| 243R | 1/8 | 0.125 | 4-1/8 | 4.125 | 4-3/8 | 4.375 | |
| 244R | 1/8 | 0.125 | 4-1/4 | 4.250 | 4-1/2 | 4.500 | |
| 245R | 1/8 | 0.125 | 4-3/8 | 4.375 | 4-5/8 | 4.625 | |
| 246R | 1/8 | 0.125 | 4-1/2 | 4.500 | 4-3/4 | 4.750 | |
| 247R | 1/8 | 0.125 | 4-5/8 | 4.625 | 4-7/8 | 4.875 | |
| 248R | 1/8 | 0.125 | 4-3/4 | 4.750 | 5 | 5.000 | |
| 249R | 1/8 | 0.125 | 4-7/8 | 4.875 | 5-1/8 | 5.125 | |
| 250R | 1/8 | 0.125 | 5 | 5.000 | 5-1/4 | 5.250 | |
| 251R | 1/8 | 0.125 | 5-1/8 | 5.125 | 5-3/8 | 5.375 | |
| 252R | 1/8 | 0.125 | 5-1/4 | 5.250 | 5-1/2 | 5.500 | |
| 253R | 1/8 | 0.125 | 5-3/8 | 5.375 | 5-5/8 | 5.625 | |
| 254R | 1/8 | 0.125 | 5-1/2 | 5.500 | 5-3/4 | 5.750 | |
| 255R | 1/8 | 0.125 | 5-5/8 | 5.625 | 5-7/8 | 5.875 | |
| 256R | 1/8 | 0.125 | 5-3/4 | 5.750 | 6 | 6.000 | |
| 257R | 1/8 | 0.125 | 5-7/8 | 5.875 | 6-1/8 | 6.125 | |
| 258R | 1/8 | 0.125 | 6 | 6.000 | 6-1/4 | 6.250 | |
| 259R | 1/8 | 0.125 | 6-1/4 | 6.250 | 6-1/2 | 6.500 | |
| 260R | 1/8 | 0.125 | 6-1/2 | 6.500 | 6-3/4 | 6.750 | |
| 261R | 1/8 | 0.125 | 6-3/4 | 6.750 | 7 | 7.000 | |
| 262R | 1/8 | 0.125 | 7 | 7.000 | 7-1/4 | 7.250 | |
| 263R | 1/8 | 0.125 | 7-1/4 | 7.250 | 7-1/2 | 7.500 | |
| 264R | 1/8 | 0.125 | 7-1/2 | 7.500 | 7-3/4 | 7.750 | |
| 265R | 1/8 | 0.125 | 7-3/4 | 7.750 | 8 | 8.000 | |
| 266R | 1/8 | 0.125 | 8 | 8.000 | 8-1/4 | 8.250 | |
| 267R | 1/8 | 0.125 | 8-1/4 | 8.250 | 8-1/2 | 8.500 | |
| 268R | 1/8 | 0.125 | 8-1/2 | 8.500 | 8-3/4 | 8.750 | |
| 269R | 1/8 | 0.125 | 8-3/4 | 8.750 | 9 | 9.000 | |
| 270R | 1/8 | 0.125 | 9 | 9.000 | 9-1/4 | 9.250 | |
| 271R | 1/8 | 0.125 | 9-1/4 | 9.250 | 9-1/2 | 9.500 | |
| 272R | 1/8 | 0.125 | 9-1/2 | 9.500 | 9-3/4 | 9.750 | |
| 273R | 1/8 | 0.125 | 9-3/4 | 9.750 | 10 | 10.000 | |
| 274R | 1/8 | 0.125 | 10 | 10.000 | 10-1/4 | 10.250 | |
| 325R | 3/16 | 0.188 | 1-1/2 | 1.500 | 1-7/8 | 1.875 | |
| 326R | 3/16 | 0.188 | 1-5/8 | 1.625 | 2 | 2.000 | |
| 327R | 3/16 | 0.188 | 1-3/4 | 1.750 | 2-1/8 | 2.125 | |
| 328R | 3/16 | 0.188 | 1-7/8 | 1.875 | 2-1/4 | 2.250 | |
| 329R | 3/16 | 0.188 | 2 | 2.000 | 2-3/8 | 2.375 | |
| 330R | 3/16 | 0.188 | 2-1/8 | 2.125 | 2-1/2 | 2.500 | |
| 331R | 3/16 | 0.188 | 2-1/4 | 2.250 | 2-5/8 | 2.625 | |
| 332R | 3/16 | 0.188 | 2-3/8 | 2.375 | 2-3/4 | 2.750 | |
| 333R | 3/16 | 0.188 | 2-1/2 | 2.500 | 2-7/8 | 2.875 | |
| 334R | 3/16 | 0.188 | 2-5/8 | 2.625 | 3 | 3.000 | |
| 335R | 3/16 | 0.188 | 2-3/4 | 2.750 | 3-1/8 | 3.125 | |
| 336R | 3/16 | 0.188 | 2-7/8 | 2.875 | 3-1/4 | 3.250 | |
| 337R | 3/16 | 0.188 | 3 | 3.000 | 3-3/8 | 3.375 | |
| 338R | 3/16 | 0.188 | 3-1/8 | 3.125 | 3-1/2 | 3.500 | |
| 339R | 3/16 | 0.188 | 3-1/4 | 3.250 | 3-5/8 | 3.625 | |
| 340R | 3/16 | 0.188 | 3-3/8 | 3.375 | 3-3/4 | 3.750 | |
| 341R | 3/16 | 0.188 | 3-1/2 | 3.500 | 3-7/8 | 3.875 | |
| 342R | 3/16 | 0.188 | 3-5/8 | 3.625 | 4 | 4.000 | |
| 343R | 3/16 | 0.188 | 3-3/4 | 3.750 | 4-1/8 | 4.125 | |
| 344R | 3/16 | 0.188 | 3-7/8 | 3.875 | 4-1/4 | 4.250 | |
| 345R | 3/16 | 0.188 | 4 | 4.000 | 4-3/8 | 4.375 | |
| 346R | 3/16 | 0.188 | 4-1/8 | 4.125 | 4-1/2 | 4.500 | |
| 347R | 3/16 | 0.188 | 4-1/4 | 4.250 | 4-5/8 | 4.625 | |
| 348R | 3/16 | 0.188 | 4-3/8 | 4.375 | 4-3/4 | 4.750 | |
| 349R | 3/16 | 0.188 | 4-1/2 | 4.500 | 4-7/8 | 4.875 | |
| 357R | 3/16 | 0.188 | 5-1/2 | 5.500 | 5-7/8 | 5.875 | |
| 425R | 1/4 | 0.250 | 4-1/2 | 4.500 | 5 | 5.000 | |
| 426R | 1/4 | 0.250 | 4-5/8 | 4.625 | 5-1/8 | 5.125 | |
| 427R | 1/4 | 0.250 | 4-3/4 | 4.750 | 5-1/4 | 5.250 | |
| 428R | 1-4 | 0.250 | 4-7/8 | 4.875 | 5-3/8 | 5.375 | |
| 429R | 1/4 | 0.250 | 5 | 5.000 | 5-1/2 | 5.500 | |
| 430R | 1/4 | 0.250 | 5-1/8 | 5.125 | 5-5/8 | 5.625 | |
| 431R | 1/4 | 0.250 | 5-1/4 | 5.250 | 5-3/4 | 5.750 | |
| 432R | 1/4 | 0.250 | 5-3/8 | 5.375 | 5-7/8 | 5.875 | |
| 433R | 1/4 | 0.250 | 5-1/2 | 5.500 | 6 | 6.000 | |
| 434R | 1/4 | 0.250 | 5-5/8 | 5.625 | 6-1/8 | 6.125 | |
| 435R | 1/4 | 0.250 | 5-3/4 | 5.750 | 6-1/4 | 6.250 | |
| 436R | 1/4 | 0.250 | 5-7/8 | 5.875 | 6-3/8 | 6.375 | |
| 437R | 1/4 | 0.250 | 6 | 6.000 | 6-1/2 | 6.500 | |
| 438R | 1/4 | 0.250 | 6-1/4 | 6.250 | 6-3/4 | 6.750 | |
| 439R | 1/4 | 0.250 | 6-1/2 | 6.500 | 7 | 7.000 | |
| 440R | 1/4 | 0.250 | 6-3/4 | 6.750 | 7-1/4 | 7.250 | |
| 441R | 1/4 | 0.250 | 7 | 7.000 | 7-1/2 | 7.500 | |
| 442R | 1/4 | 0.250 | 7-1/4 | 7.250 | 7-3/4 | 7.750 | |

| Part Number | Width | I.D. | | O.D. | | Part Number | Width | I.D. | O.D. |
|-------------|-------|-------|--------|--------|--------|-------------|-------|------|------|
| 443R | 1/4 | 0.250 | 7-1/2 | 7.500 | 8 | 8.000 | | | |
| 444R | 1/4 | 0.250 | 7-3/4 | 7.750 | 8-1/4 | 8.250 | | | |
| 445R | 1/4 | 0.250 | 8 | 8.000 | 8-1/2 | 8.500 | | | |
| 446R | 1/4 | 0.250 | 8-1/2 | 8.500 | 9 | 9.000 | | | |
| 447R | 1/4 | 0.250 | 9 | 9.000 | 9-1/2 | 9.500 | | | |
| 448R | 1/4 | 0.250 | 9-1/2 | 9.500 | 10 | 10.000 | | | |
| 449R | 1/4 | 0.250 | 10 | 10.000 | 10-1/2 | 10.500 | | | |
| 450R | 1/4 | 0.250 | 10-1/2 | 10.500 | 11 | 11.000 | | | |
| 451R | 1/4 | 0.250 | 11 | 11.000 | 11-1/2 | 11.500 | | | |
| 452R | 1/4 | 0.250 | 11-1/2 | 11.500 | 12 | 12.000 | | | |
| 453R | 1/4 | 0.250 | 12 | 12.000 | 12-1/2 | 12.500 | | | |
| 454R | 1/4 | 0.250 | 12-1/2 | 12.500 | 13 | 13.000 | | | |
| 455R | 1/4 | 0.250 | 13 | 13.000 | 13-1/2 | 13.500 | | | |
| 456R | 1/4 | 0.250 | 13-1/2 | 13.500 | 14 | 14.000 | | | |
| 457R | 1/4 | 0.250 | 14 | 14.000 | 14-1/2 | 14.500 | | | |
| 458R | 1/4 | 0.250 | 14-1/2 | 14.500 | 15 | 15.000 | | | |
| 459R | 1/4 | 0.250 | 15 | 15.000 | 15-1/2 | 15.500 | | | |
| 460R | 1/4 | 0.250 | 15-1/2 | 15.500 | 16 | 16.000 | | | |

SEAL TYPES



seal
specification:
001011011101100110101
001011011101100110101

x 46 -10K
x 47 -DACK3
x 48 DREQ3
x 49 -DACK1
x 50 DREQ1



NOTES



NOTES

US \$10

TIMKEN
A LEADER IN SEAL TECHNOLOGY

SEALS

- Inch/Metric
- V-Seals
- Oil Bath Seals
- KWIK-Sleeves™ - Components
- Seal Kits
- O-Rings



Timken® is the registered trademark of
The Timken Company.
www.timken.com www.timkeninfo.com

TIMKEN

© 2001 The Timken Company
Printed In the U.S.A.
60M-12-01-11 Order No. 7533

WORLDWIDE LEADER IN BEARINGS AND STEEL